



US00D681636S

(12) **United States Design Patent**
Haller

(10) **Patent No.:** **US D681,636 S**

(45) **Date of Patent:** **** May 7, 2013**

(54) **TOUCH MONITOR**

(75) Inventor: **Jeffrey T. Haller**, Redwood City, CA
(US)

(73) Assignee: **Elo Touch Solutions, Inc.**, Milpitas, CA
(US)

(**) Term: **14 Years**

(21) Appl. No.: **29/420,291**

(22) Filed: **May 7, 2012**

(51) **LOC (9) Cl.** **14-02**

(52) **U.S. Cl.**
USPC **D14/377**

(58) **Field of Classification Search** D14/371–377,
D14/125–129, 336, 337; 248/917–924, 278.1;
345/104, 156, 173, 174, 901–905; 348/180,
348/184, 325, 739, 836; 361/679.01, 679.02,
361/679.21–679.25; 349/1, 2, 11, 58
See application file for complete search history.

(56) **References Cited**

U.S. PATENT DOCUMENTS

D419,141 S *	1/2000	Evanicky et al.	D14/376
D542,747 S *	5/2007	Kim et al.	D14/126
D544,849 S *	6/2007	Yang et al.	D14/126
D548,708 S *	8/2007	Park et al.	D14/126
D551,636 S *	9/2007	Kang et al.	D14/128
D578,531 S *	10/2008	Ding et al.	D14/375
D597,041 S *	7/2009	Cho et al.	D14/126

D614,596 S *	4/2010	Won et al.	D14/126
D615,511 S *	5/2010	Shin et al.	D14/126
D654,501 S *	2/2012	Haller et al.	D14/375

* cited by examiner

Primary Examiner — Freda S Nunn

(74) *Attorney, Agent, or Firm* — Alston & Bird LLP

(57) **CLAIM**

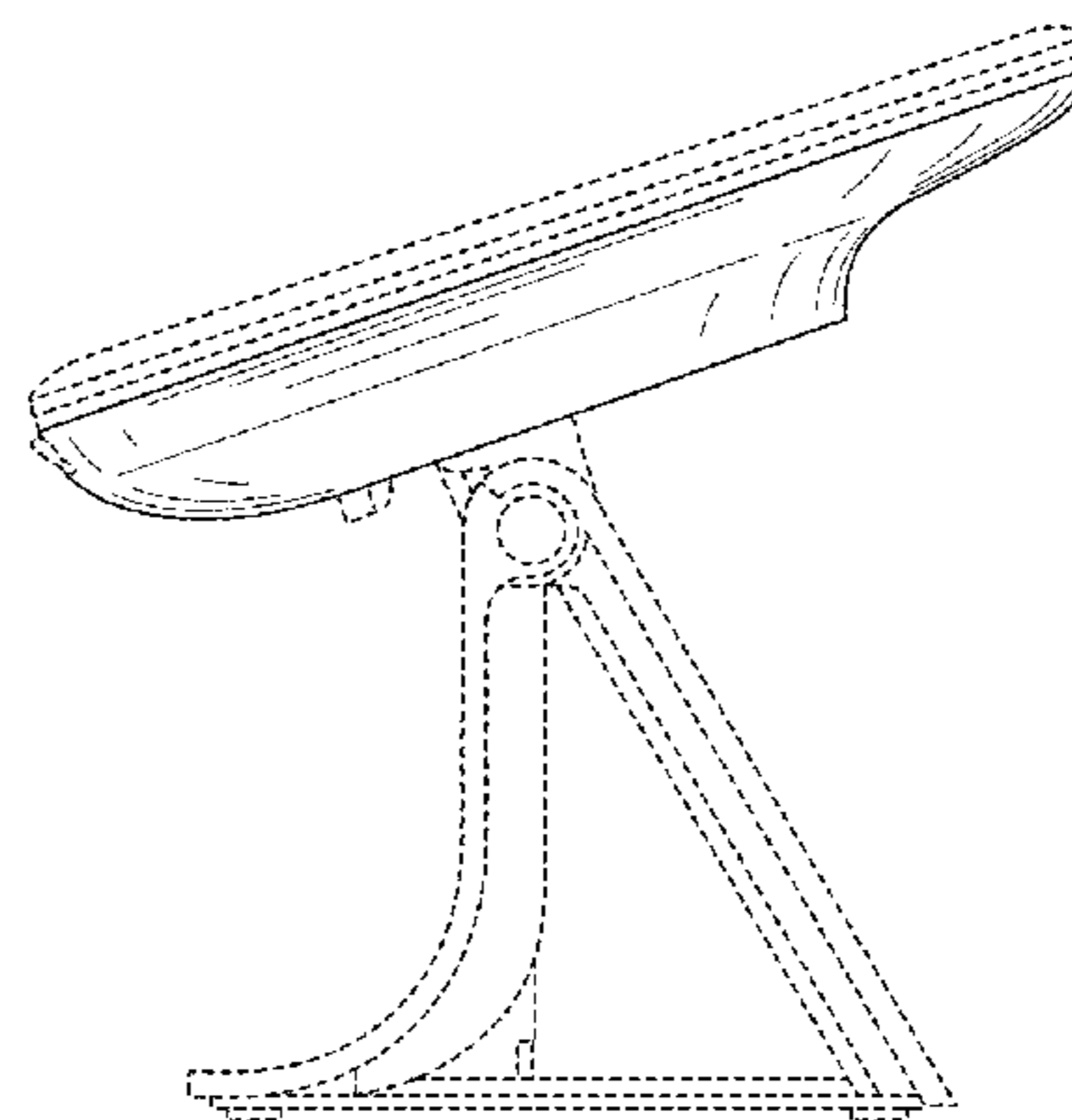
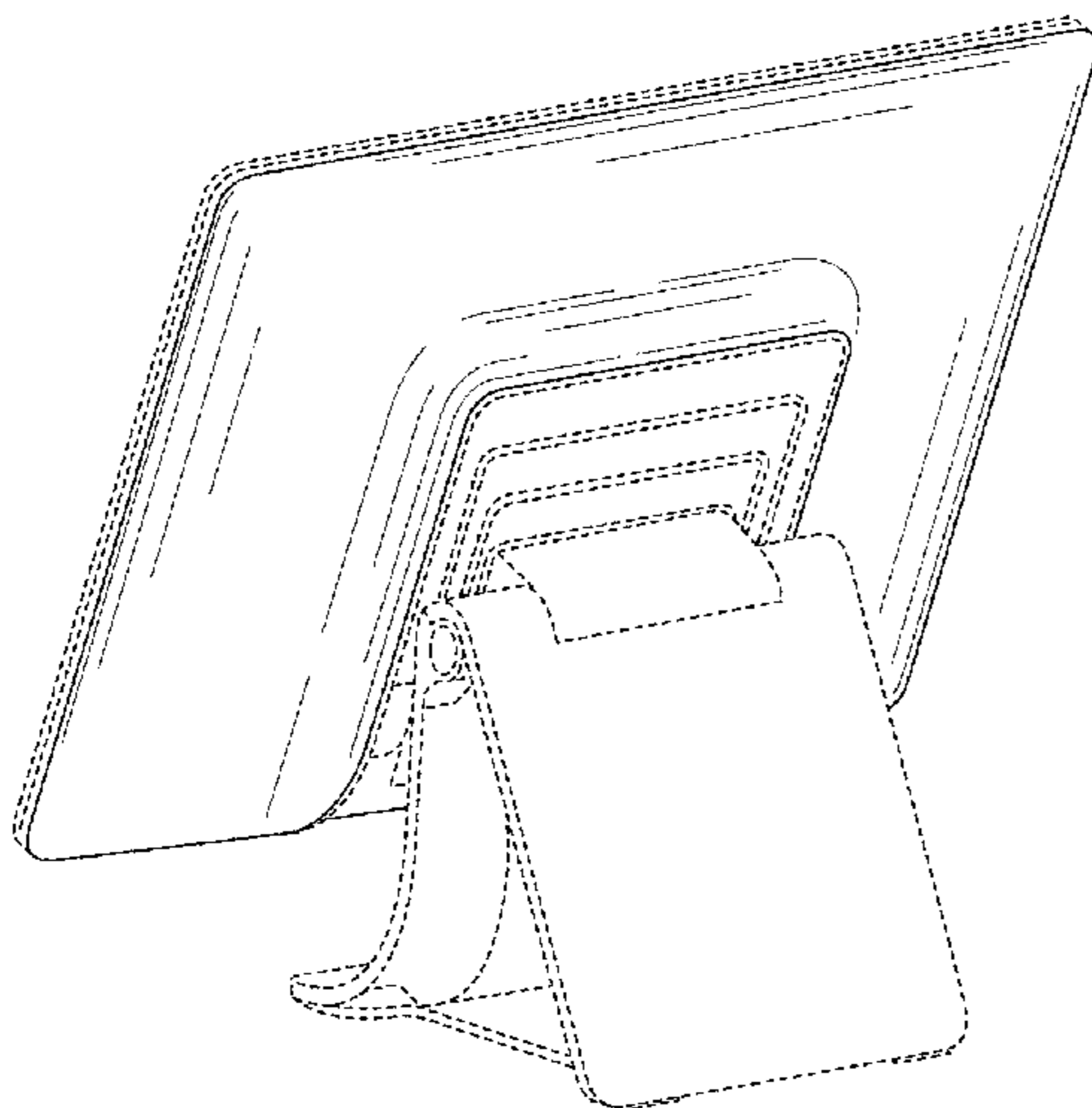
The ornamental design for a touch monitor, as shown and described.

DESCRIPTION

FIG. 1 is a front perspective view of a touch monitor showing my design, shown in a use configuration with a stand;
FIG. 2 is a front view thereof, shown in a vertical position with respect to the stand;
FIG. 3 is a top view thereof;
FIG. 4 is a rear view thereof;
FIG. 5 is a rear perspective view thereof, shown in a tilted position with respect to the stand;
FIG. 6 is a left side view thereof;
FIG. 7 is a right side view thereof; and,
FIG. 8 is another right side view thereof, shown in another tilted position with respect to the stand.

Broken lines immediately adjacent shaded areas represent bounds of the claimed design. The broken lines of the stand are directed to environment and are for illustrative purposes only. All other broken lines are directed to unclaimed features. The broken lines form no part of the claimed design.

1 Claim, 4 Drawing Sheets



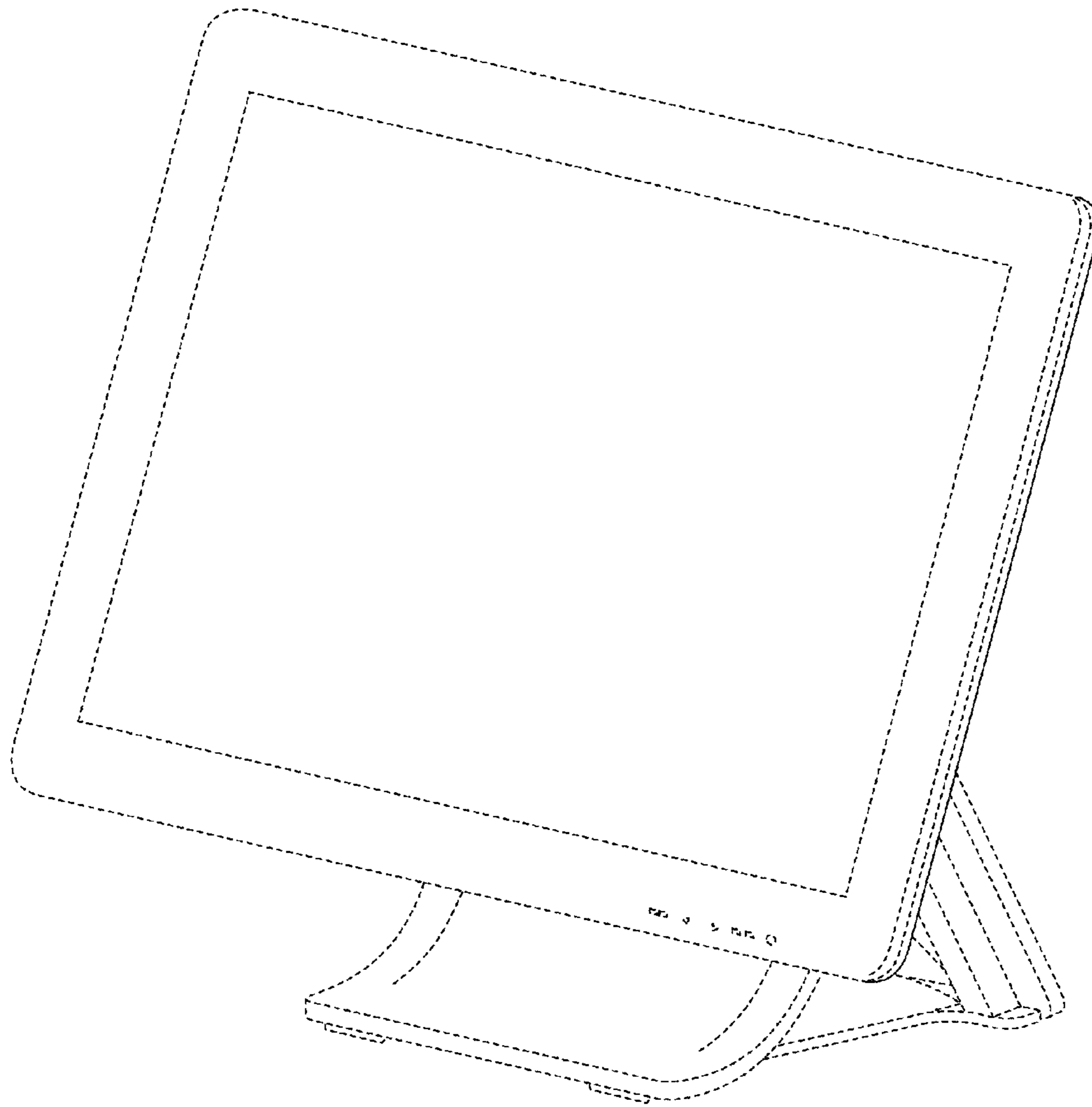


FIG. 1

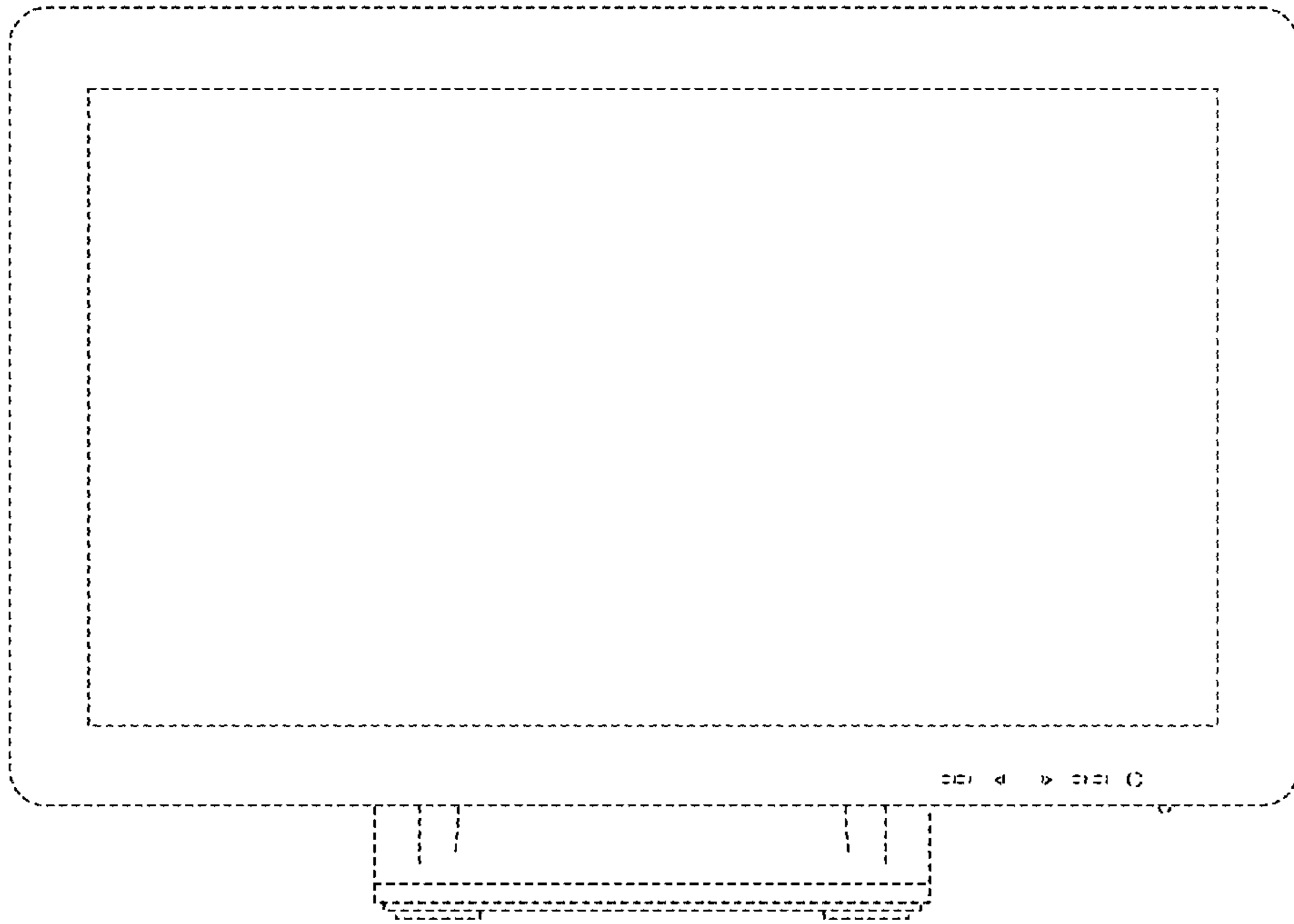


FIG. 2

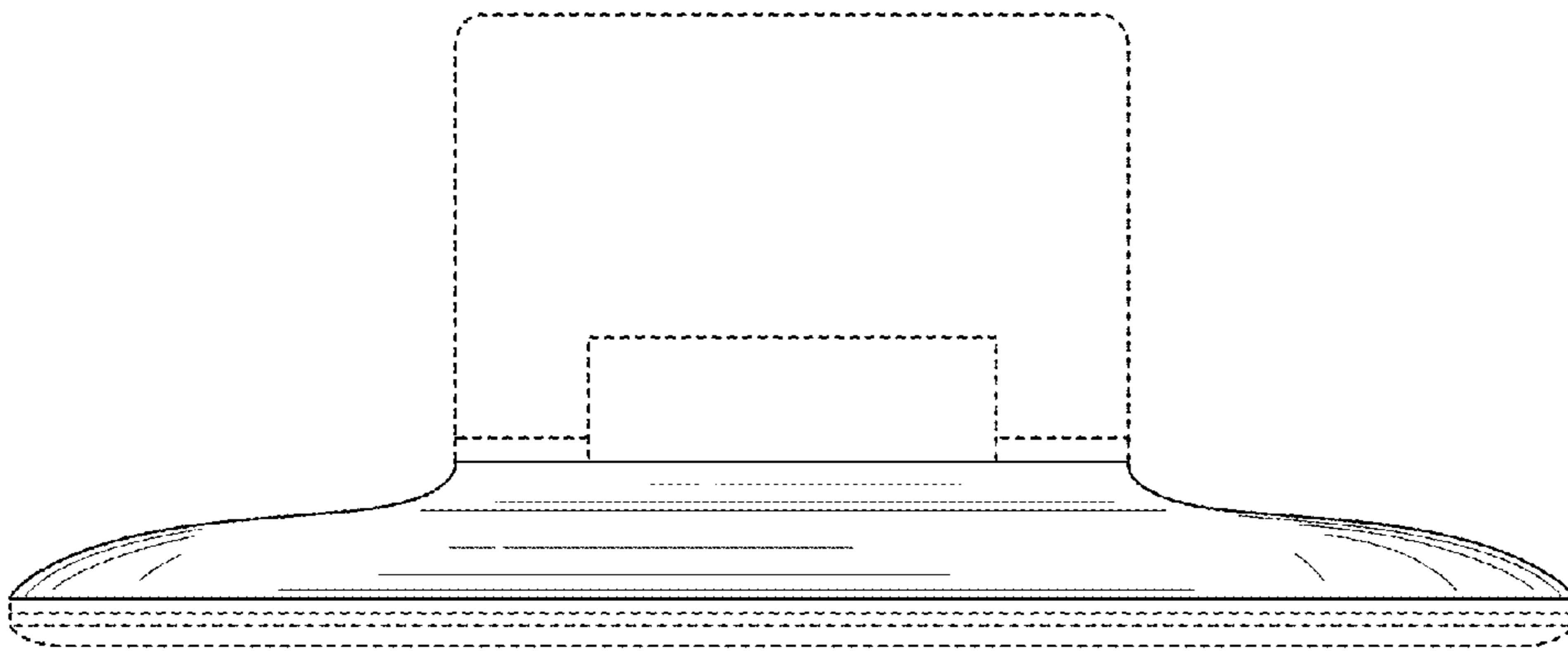


FIG. 3

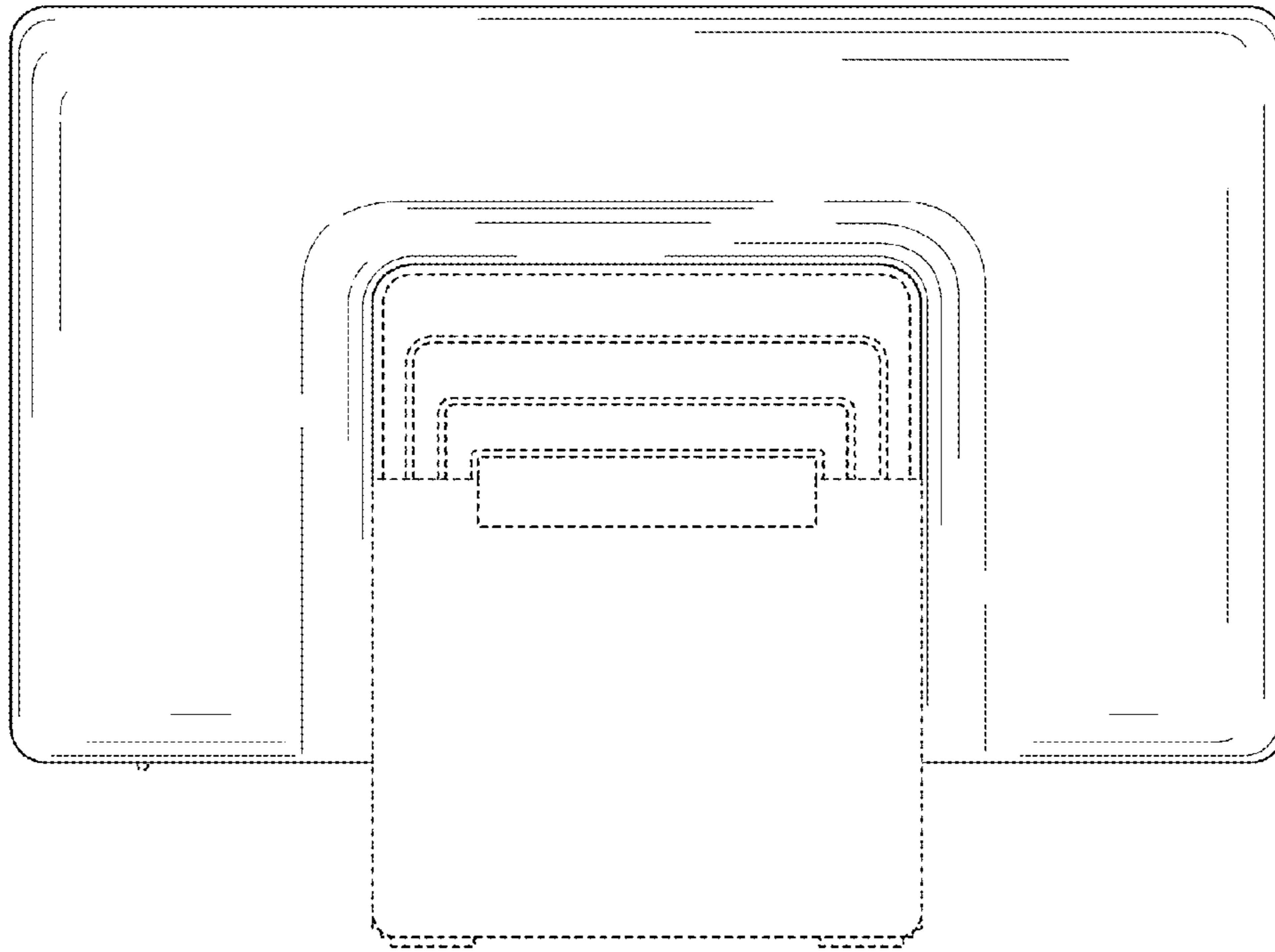


FIG. 4

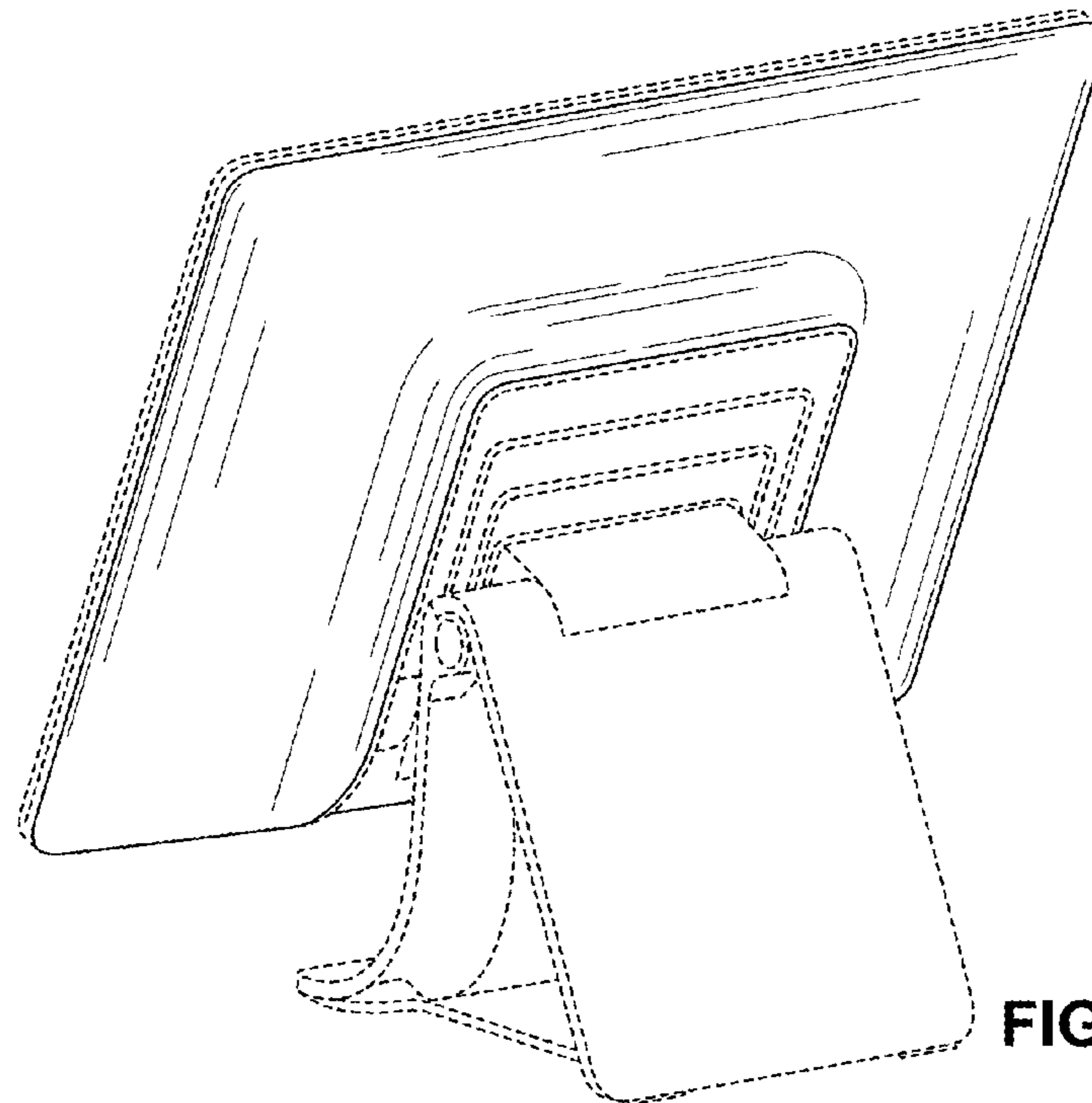


FIG. 5

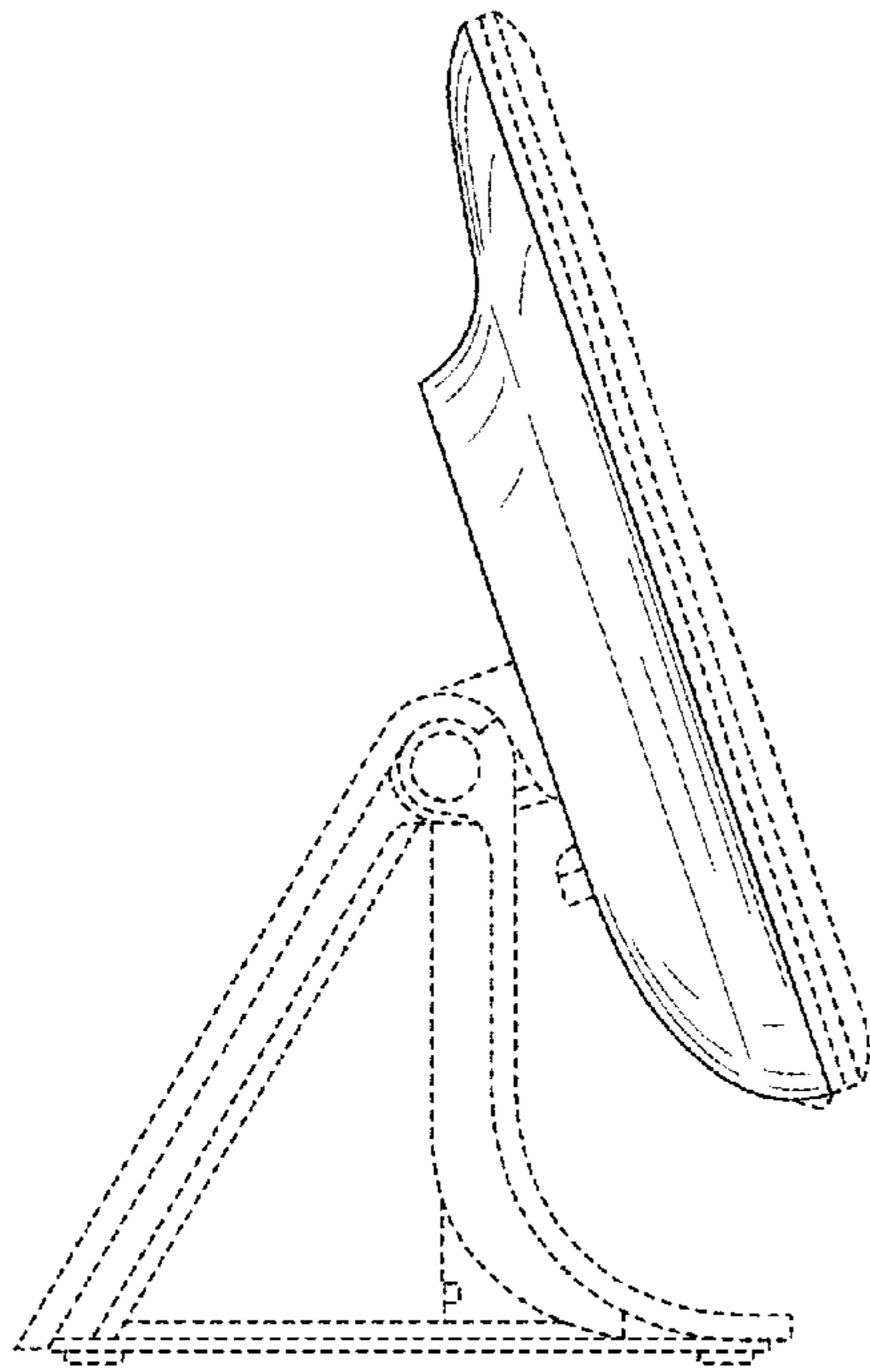


FIG. 6

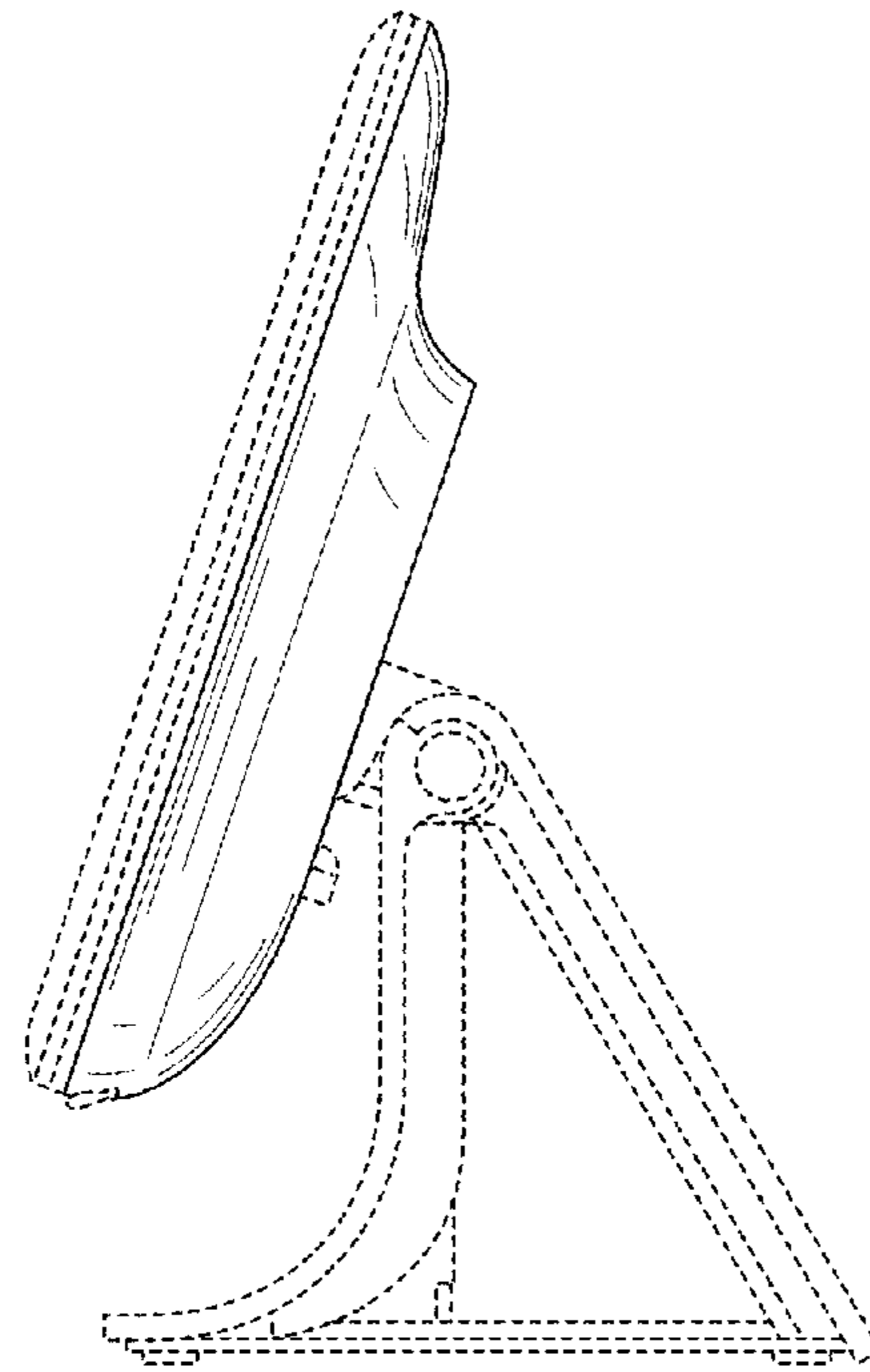


FIG. 7

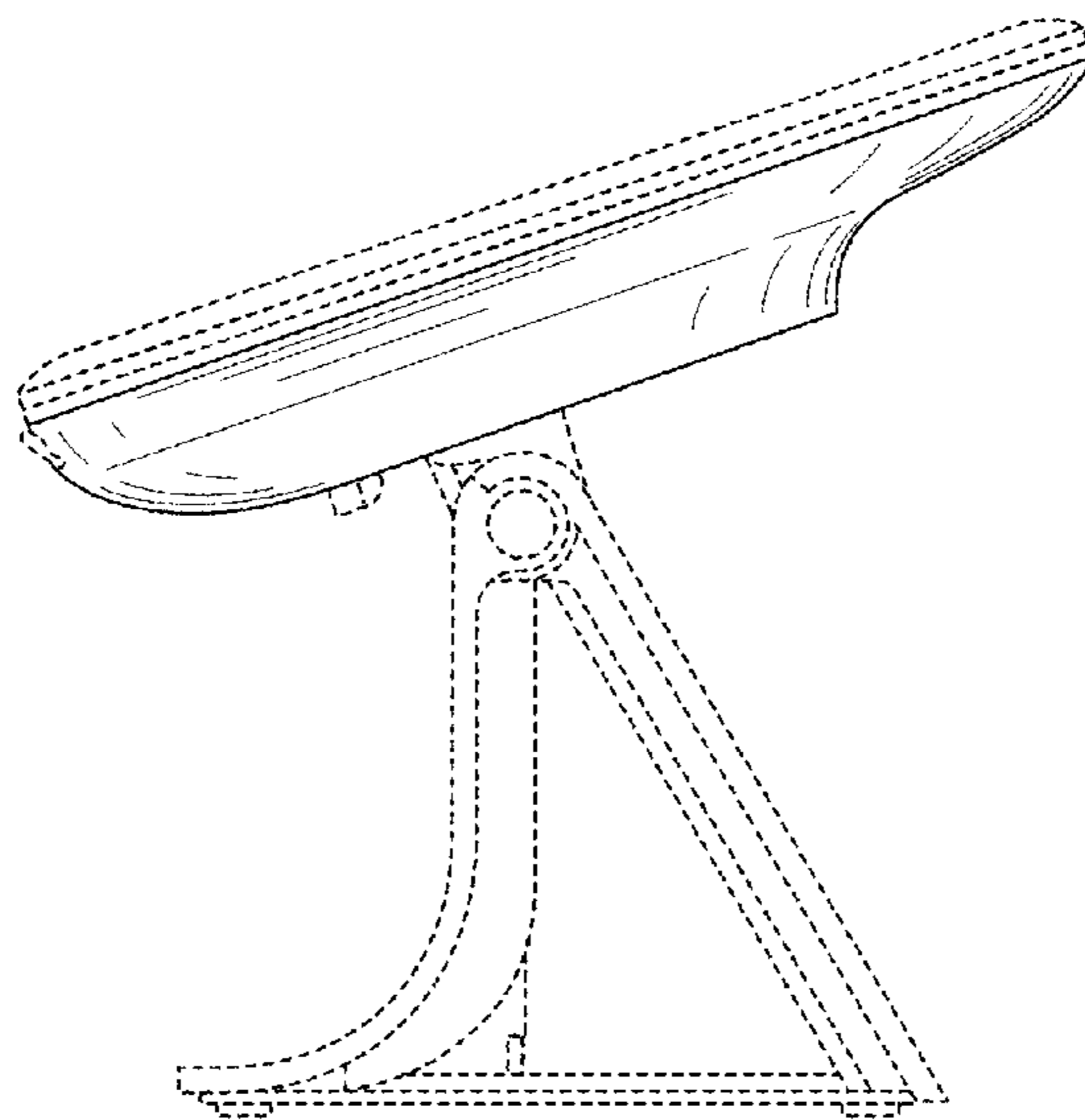


FIG. 8