



US00D681627S

(12) **United States Design Patent**
Barton

(10) **Patent No.:** **US D681,627 S**

(45) **Date of Patent:** **** May 7, 2013**

(54) **COMPUTING DEVICE WITH INTERCHANGEABLE COVER**

(76) **Inventor:** **Natalie Ann Barton**, Mandeville, LA (US)

(**) **Term:** **14 Years**

(21) **Appl. No.:** **29/418,170**

(22) **Filed:** **Apr. 12, 2012**

Related U.S. Application Data

(63) Continuation-in-part of application No. 12/394,277, filed on Feb. 27, 2009, now abandoned.

(51) **LOC (9) Cl.** **14-02**

(52) **U.S. Cl.**
USPC **D14/315**

(58) **Field of Classification Search** D14/391-399, D14/455, 315, 318; D18/1, 2, 7, 11; 178/17 A, 178/17 C; 200/5 A, 5 R, 6 A, 6 R; 235/145 A, 235/145 R; 345/160, 168, 169; 341/20, 341/22, 23; 400/484-489, 492, 472; 361/679.08, 361/679.09, 679.11, 679.12, 679.17, 679.2

See application file for complete search history.

(56) **References Cited**

U.S. PATENT DOCUMENTS

D286,045 S * 10/1986 McGarvey et al. D14/392
D322,245 S * 12/1991 Lin D14/396
D387,343 S * 12/1997 Huang D14/396

* cited by examiner

Primary Examiner — Freda S Nunn

(74) *Attorney, Agent, or Firm* — Dale J. Ream

(57) **CLAIM**

The ornamental design for a computing device with interchangeable cover, as shown and described.

DESCRIPTION

FIG. 1 is a perspective view of a computing device with interchangeable cover showing the lid in an open configuration;

FIG. 2 is a perspective view of a computing device with interchangeable cover as in FIG. 1 showing the lid in a closed configuration;

FIG. 3 is a front view thereof;

FIG. 4 is a back view thereof;

FIG. 5 is a left side view thereof;

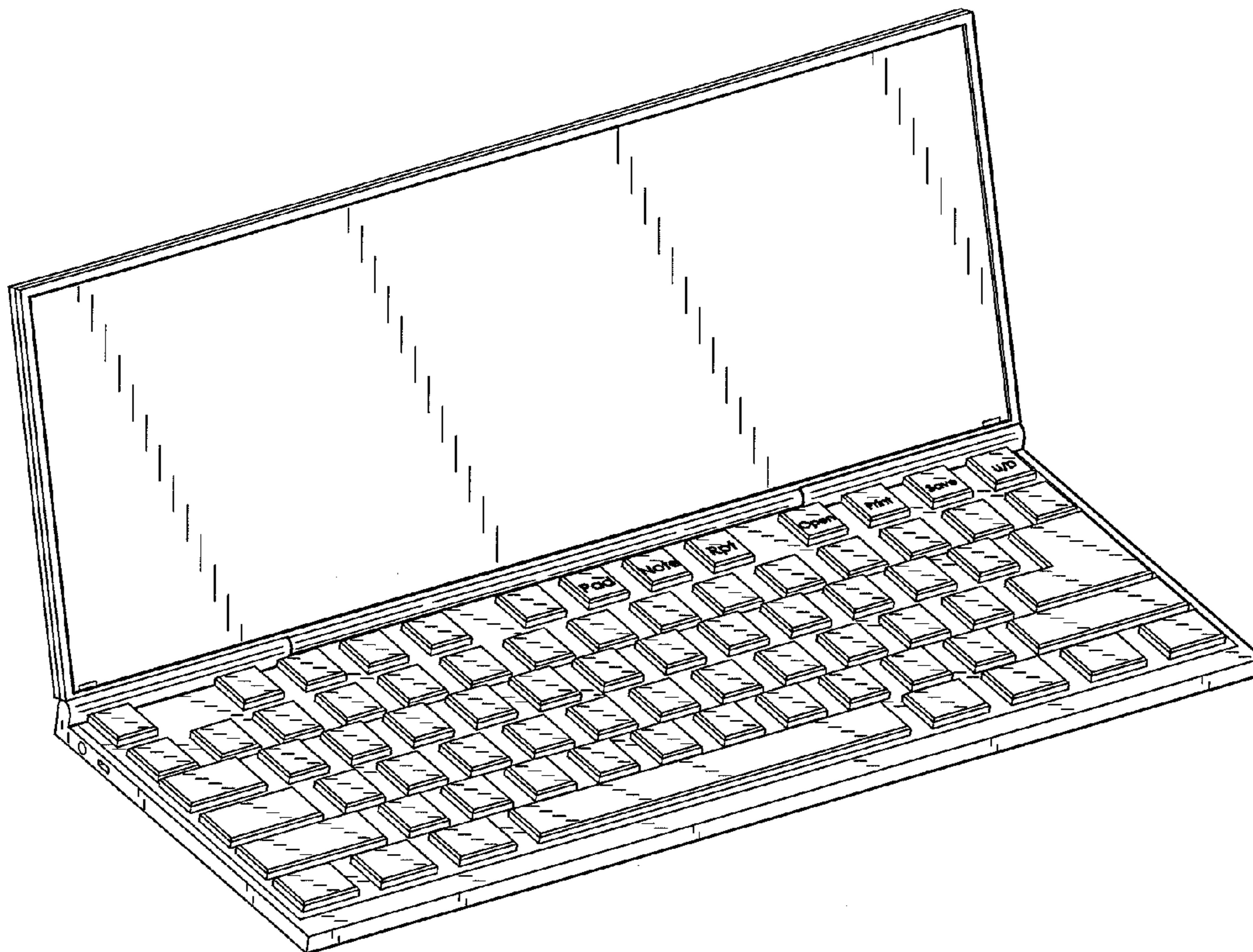
FIG. 6 is a right side view thereof;

FIG. 7 is a top view thereof;

FIG. 8 is a bottom view thereof; and,

FIG. 9 is an exploded view of a computing device with interchangeable cover showing my new design.

1 Claim, 5 Drawing Sheets



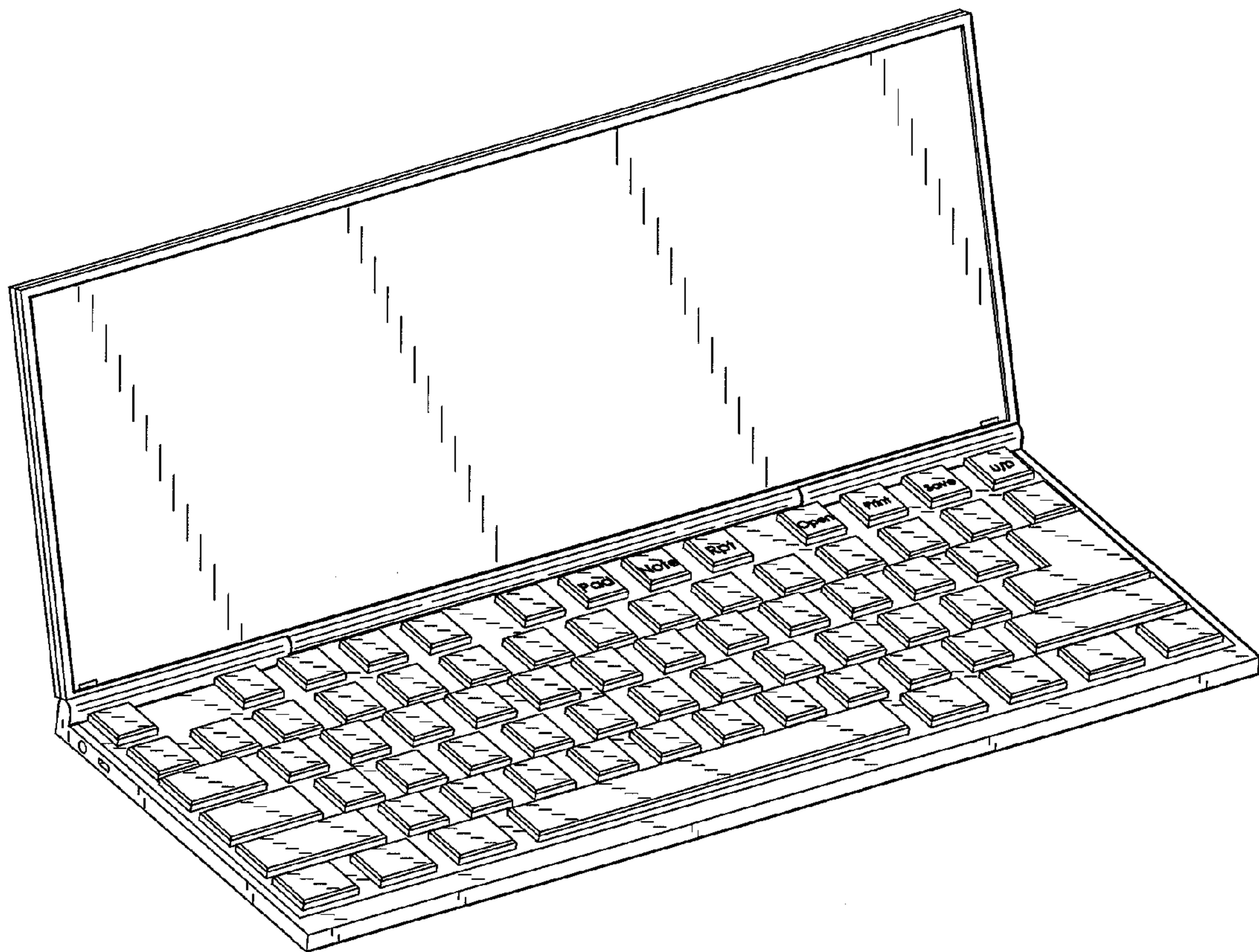


FIG. 1

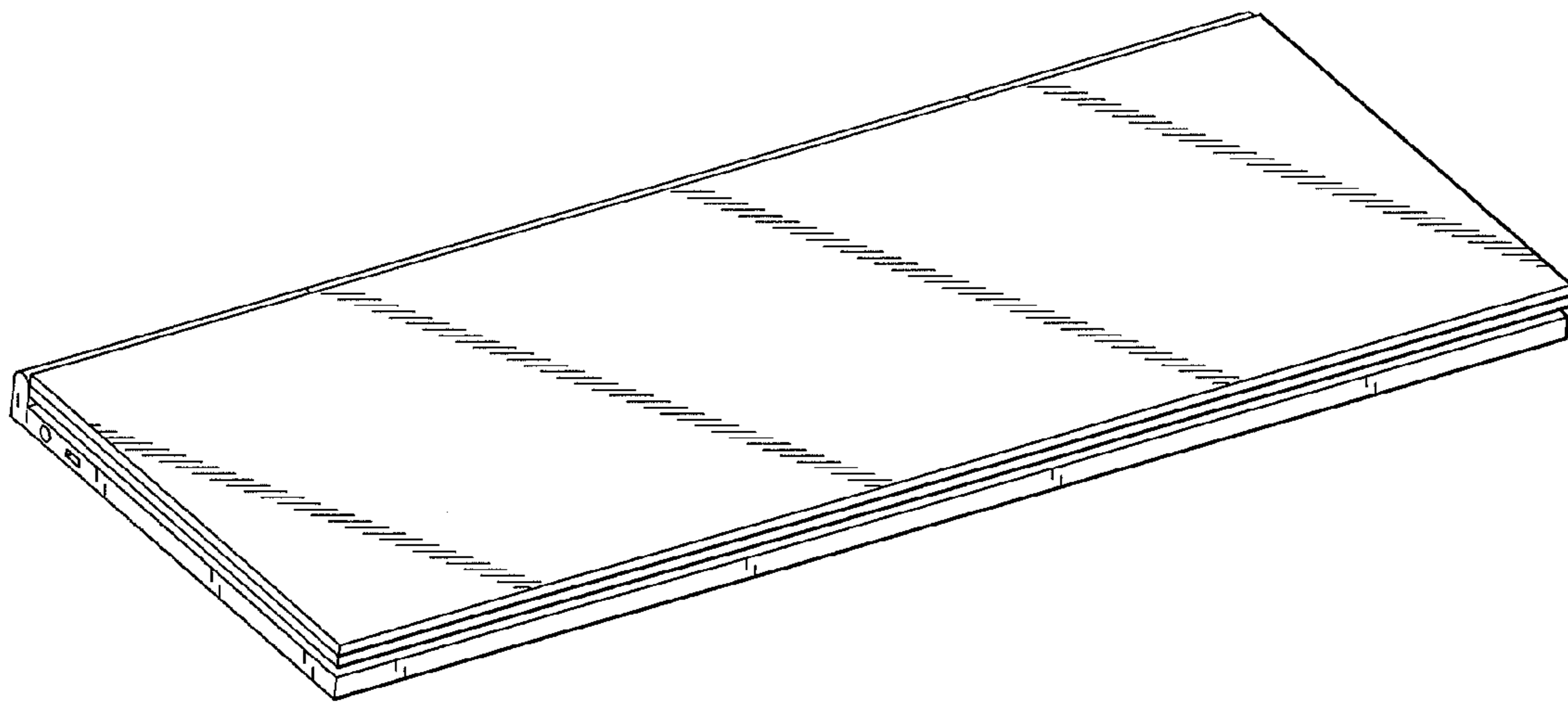


FIG. 2

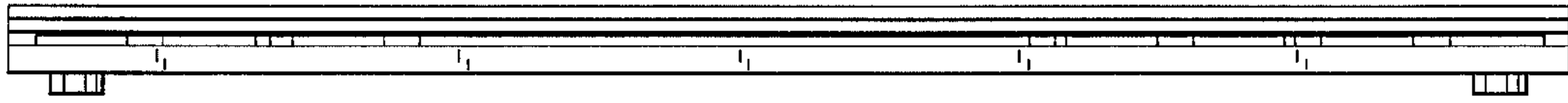


FIG. 3

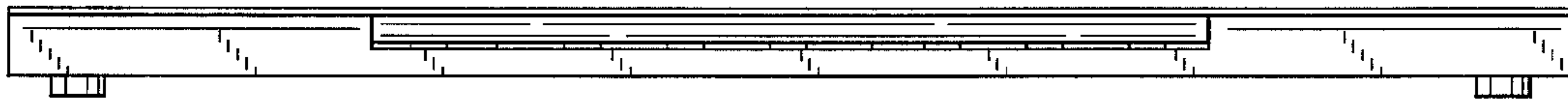


FIG. 4

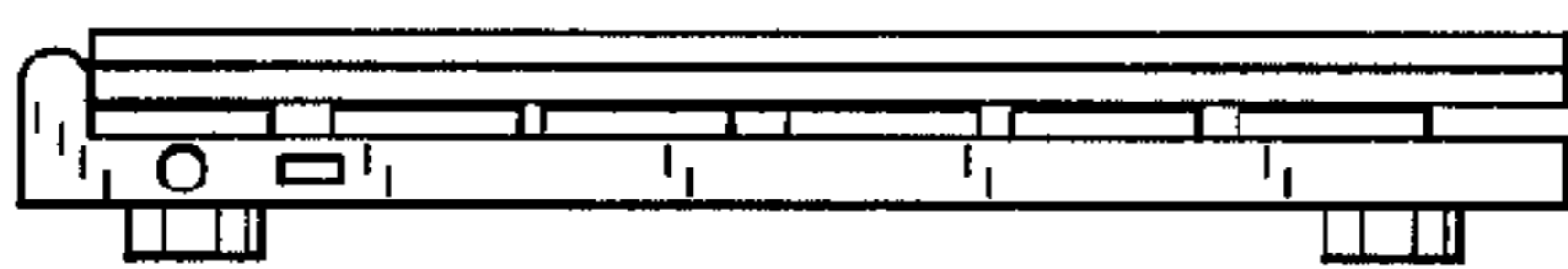


FIG. 5



FIG. 6

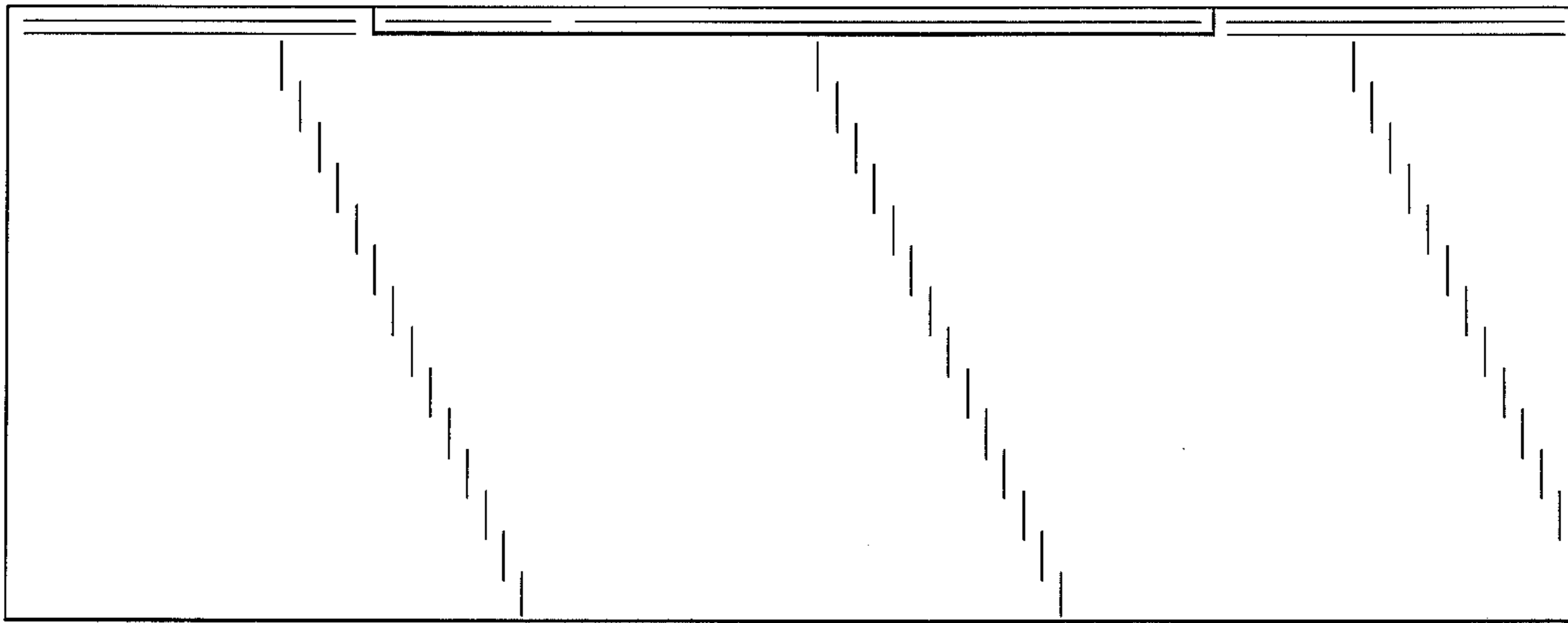


FIG. 7

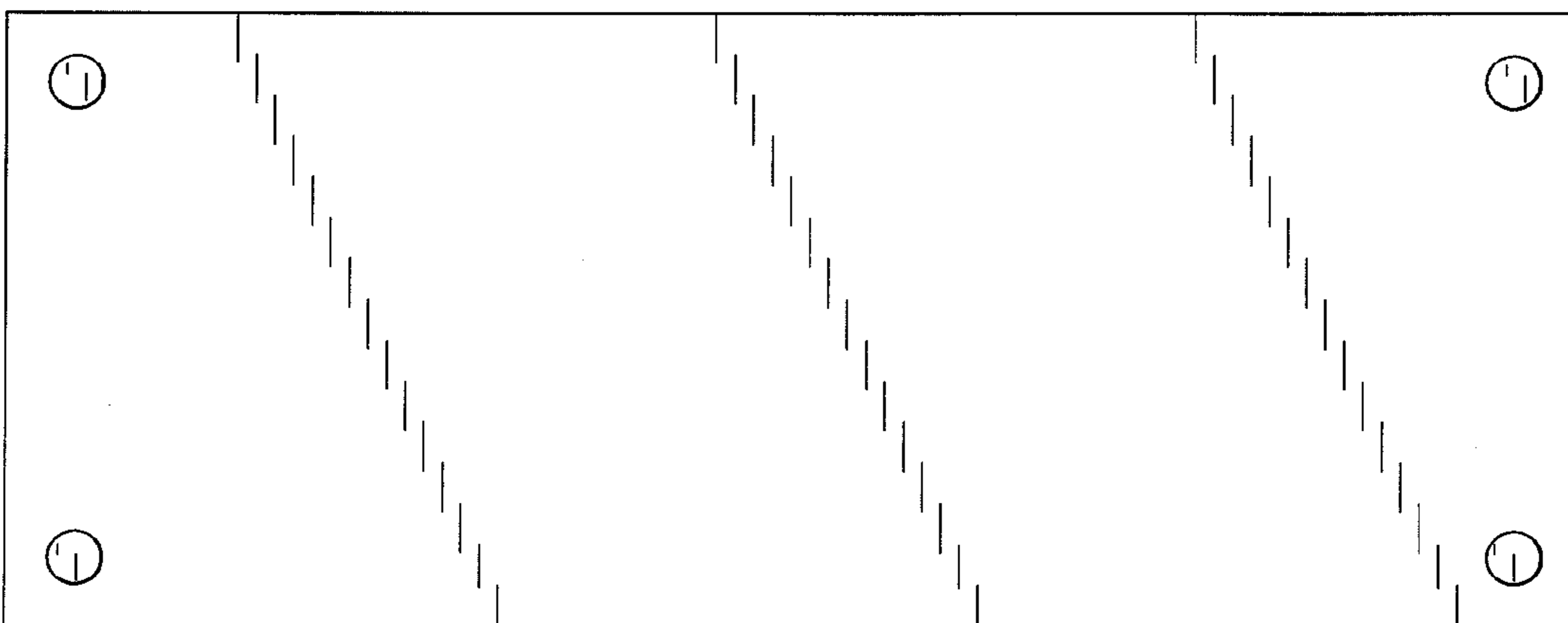


FIG. 8

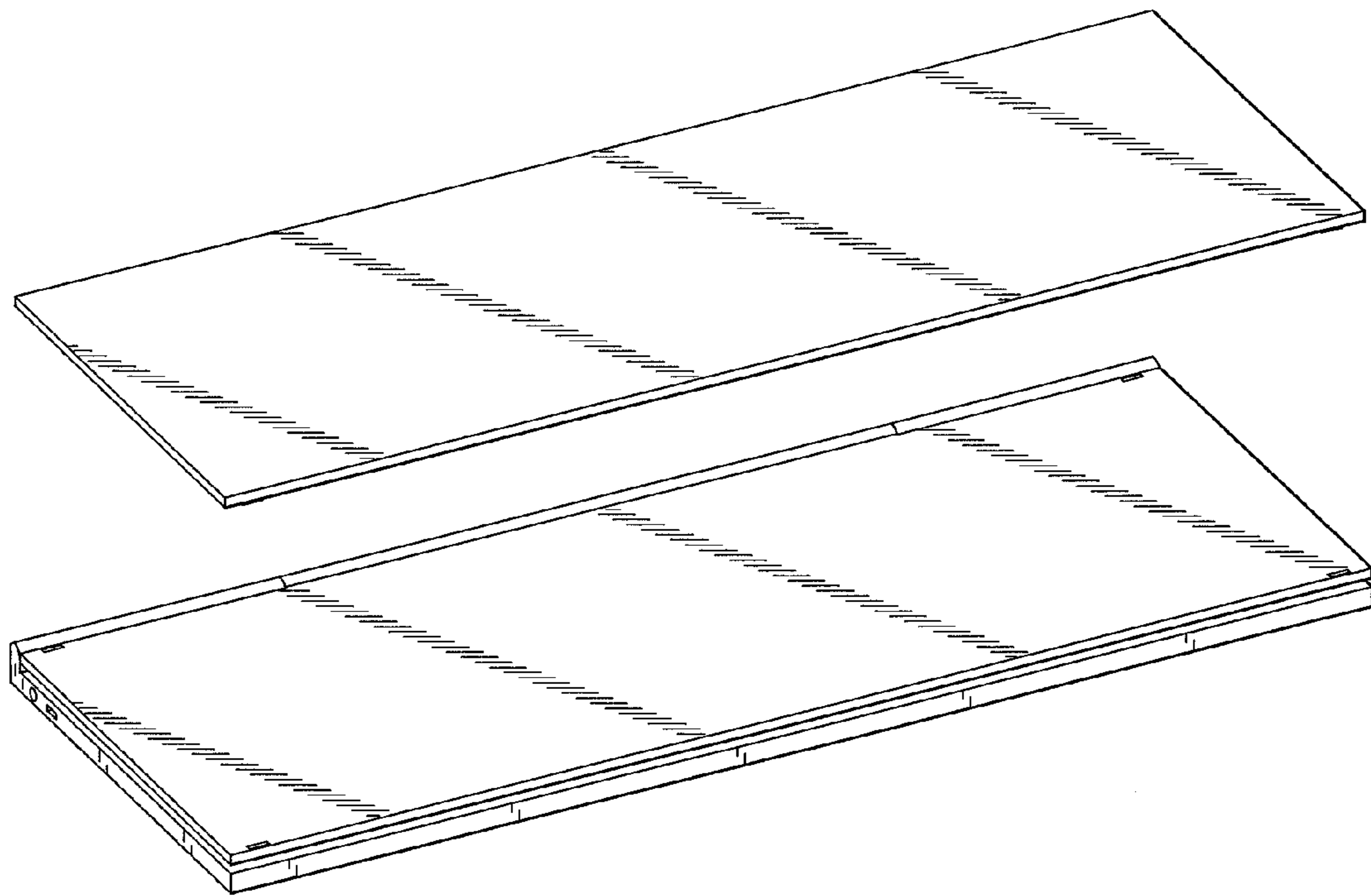


FIG. 9