



US00D681626S

(12) **United States Design Patent**  
**Zehner**

(10) **Patent No.:** **US D681,626 S**

(45) **Date of Patent:** **\*\* May 7, 2013**

(54) **TELEPHONE HOLDER**

(76) Inventor: **Jochen Zehner**, Speyer (DE)

(\*\*) Term: **14 Years**

(21) Appl. No.: **29/404,651**

(22) Filed: **Oct. 24, 2011**

(30) **Foreign Application Priority Data**

Sep. 7, 2011 (DE) ..... 40 2011 004 424

(51) **LOC (9) Cl.** ..... **14-03**

(52) **U.S. Cl.**  
USPC ..... **D14/253**

(58) **Field of Classification Search** ..... D14/251-254,  
D14/140, 140.8, 142, 447, 205; 292/342,  
292/343, 288; D3/218; D6/467, 300, 310,  
D6/553-574; D8/400-404, 499, 378, 330,  
D8/334, 343, 344, 360, 391, 393, 388; D9/456;  
D29/124; D19/34.1, 96, 90; 248/188.2;  
D25/318

See application file for complete search history.

(56) **References Cited**

U.S. PATENT DOCUMENTS

D168,420 S \* 12/1952 Pinkham, Jr. .... D6/310  
D215,536 S \* 10/1969 Larsen ..... D6/601  
D362,565 S \* 9/1995 Tubbs et al. .... D6/419

D453,155 S \* 1/2002 Michel ..... D14/253  
D478,074 S \* 8/2003 Lam ..... D14/253  
D574,375 S \* 8/2008 Prest et al. .... D14/253  
D623,641 S \* 9/2010 Harden et al. .... D14/253  
D636,395 S \* 4/2011 Anderson et al. .... D14/434  
D640,249 S \* 6/2011 Choi ..... D14/253  
D640,708 S \* 6/2011 Lee ..... D14/447  
D643,845 S \* 8/2011 Hong ..... D14/447  
D664,141 S \* 7/2012 Haymond ..... D14/253  
D668,662 S \* 10/2012 Suiter ..... D14/447

FOREIGN PATENT DOCUMENTS

DE 40200062 6/2002

OTHER PUBLICATIONS

U.S. Appl. No. 29/402,842.

\* cited by examiner

*Primary Examiner* — George D Kirschbaum

*Assistant Examiner* — Janice Hallmark

(74) *Attorney, Agent, or Firm* — Jason T. Daniel, Esq

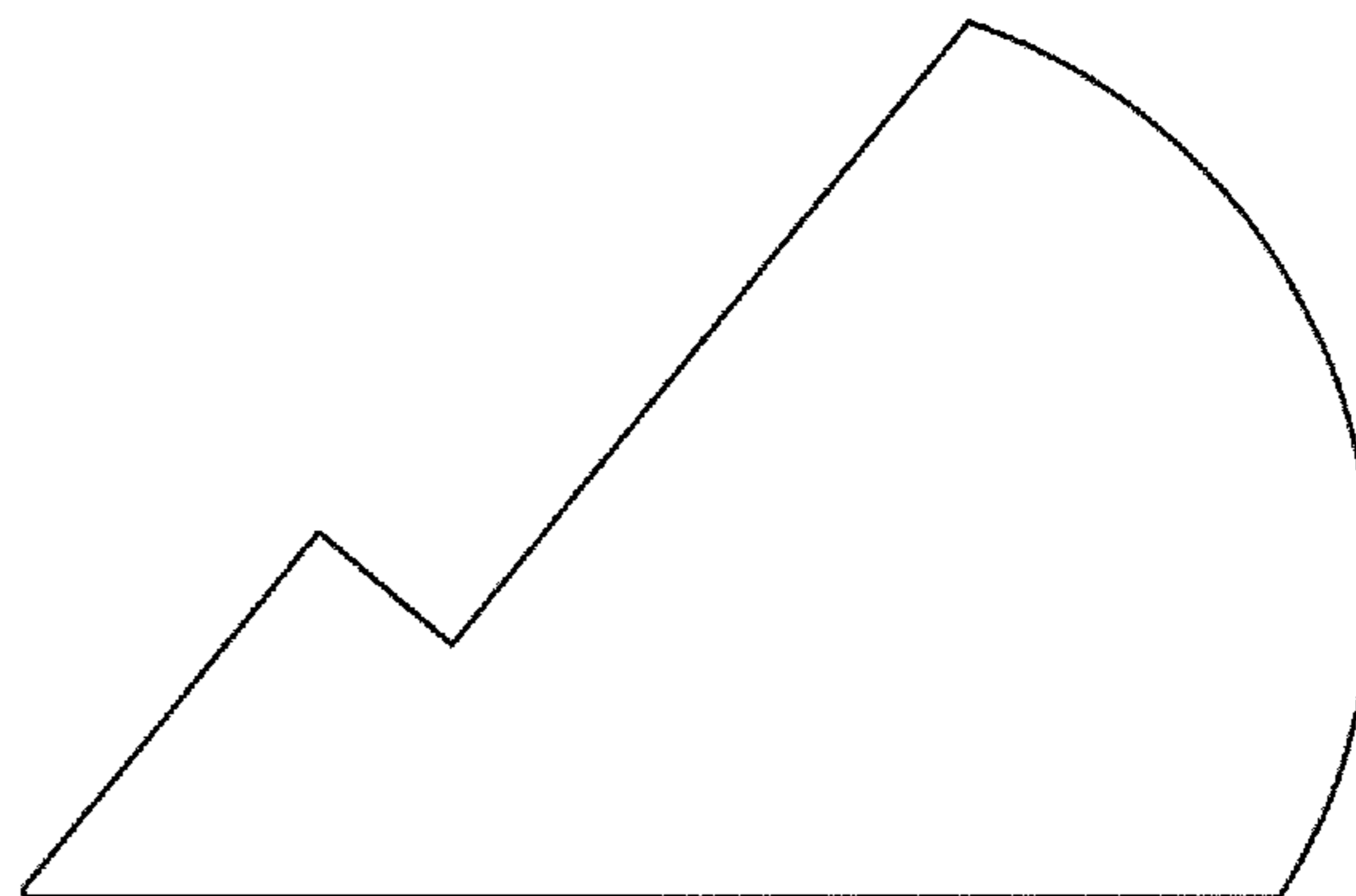
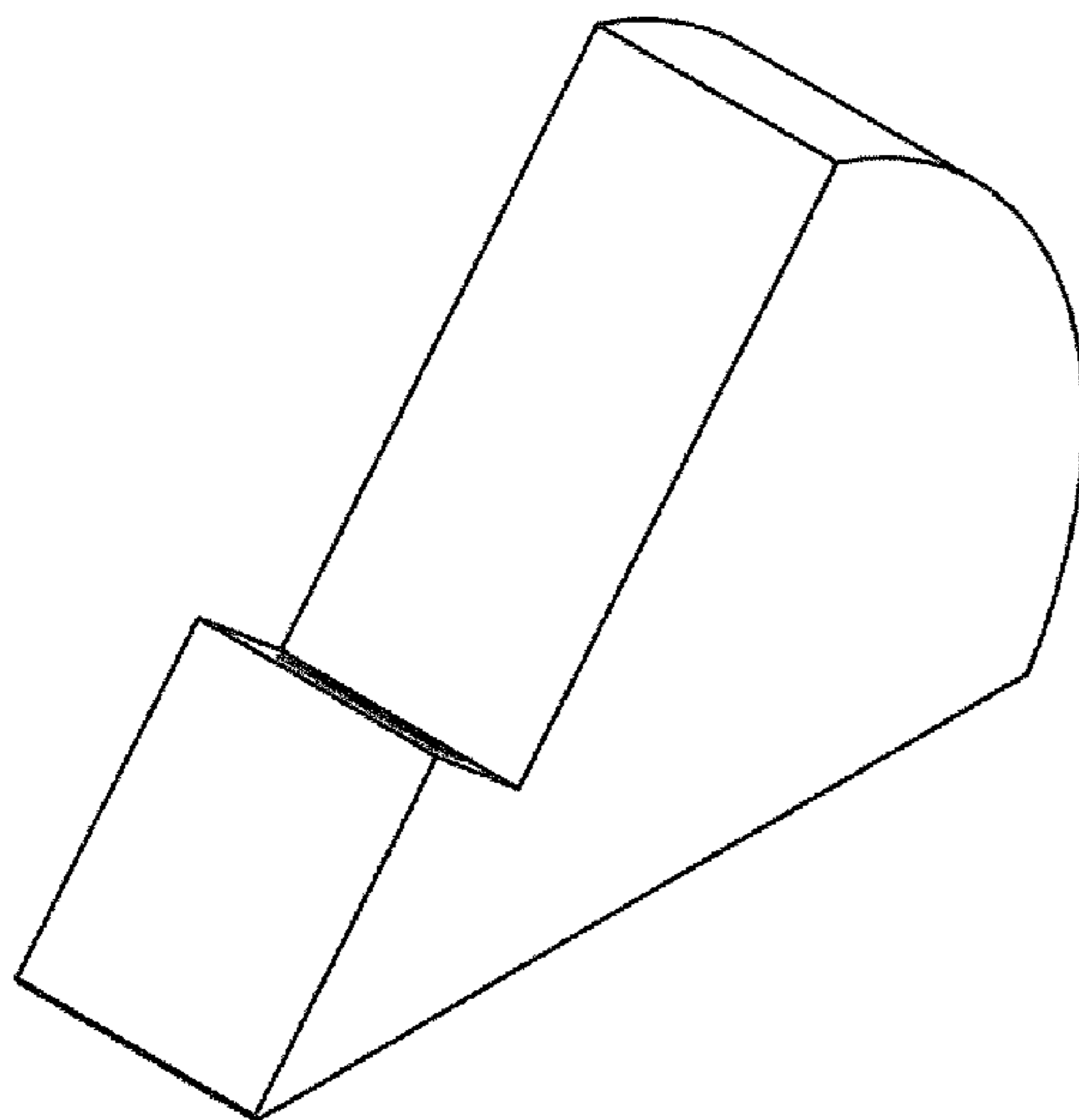
(57) **CLAIM**

The ornamental design for a telephone holder, as shown and described.

**DESCRIPTION**

FIG. 1 is a front perspective view of the telephone holder; FIG. 2 is a left side view thereof, with the right side being a mirror image thereof; and, FIG. 3 is a rear perspective view thereof.

**1 Claim, 3 Drawing Sheets**



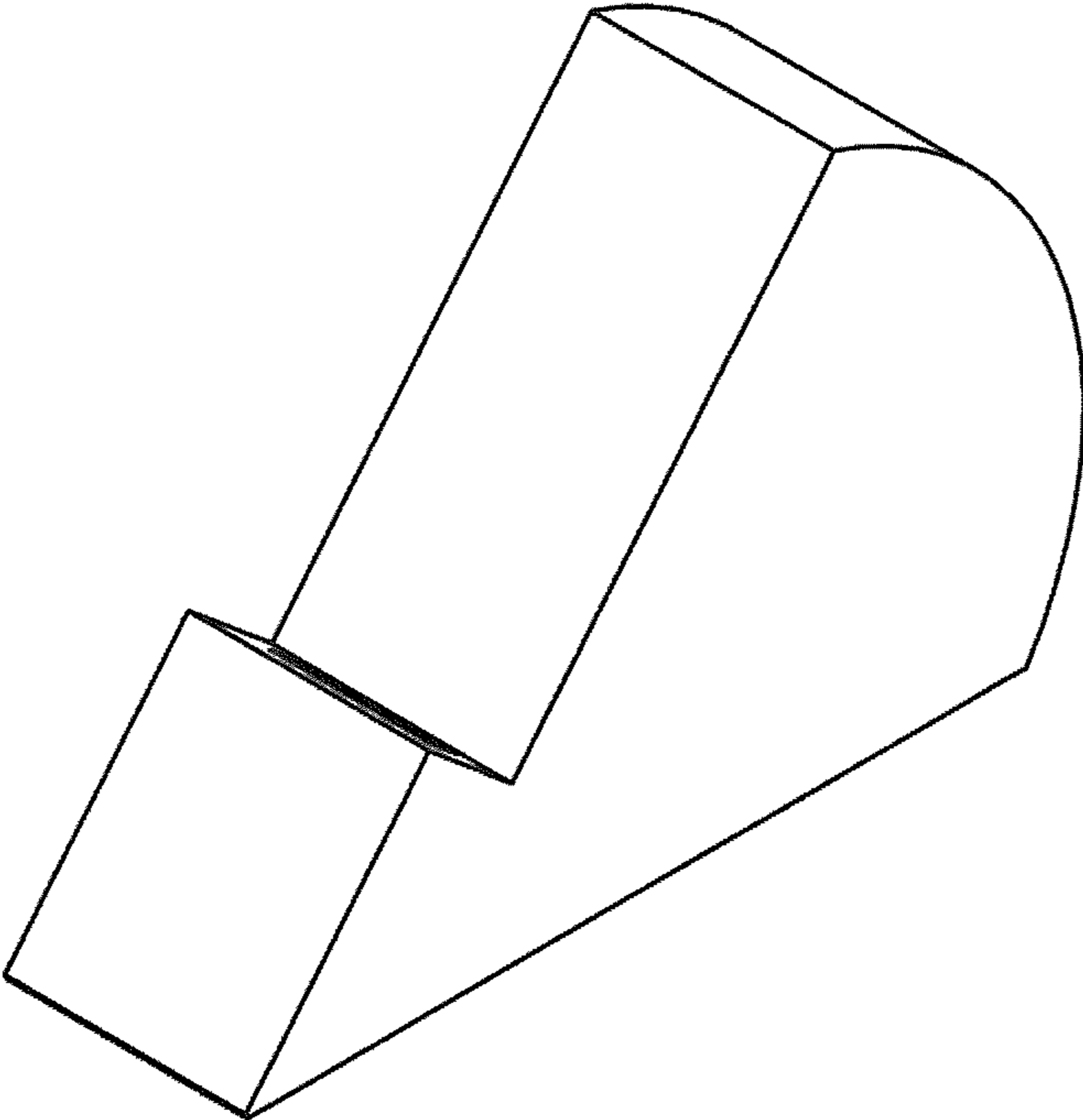


FIG. 1

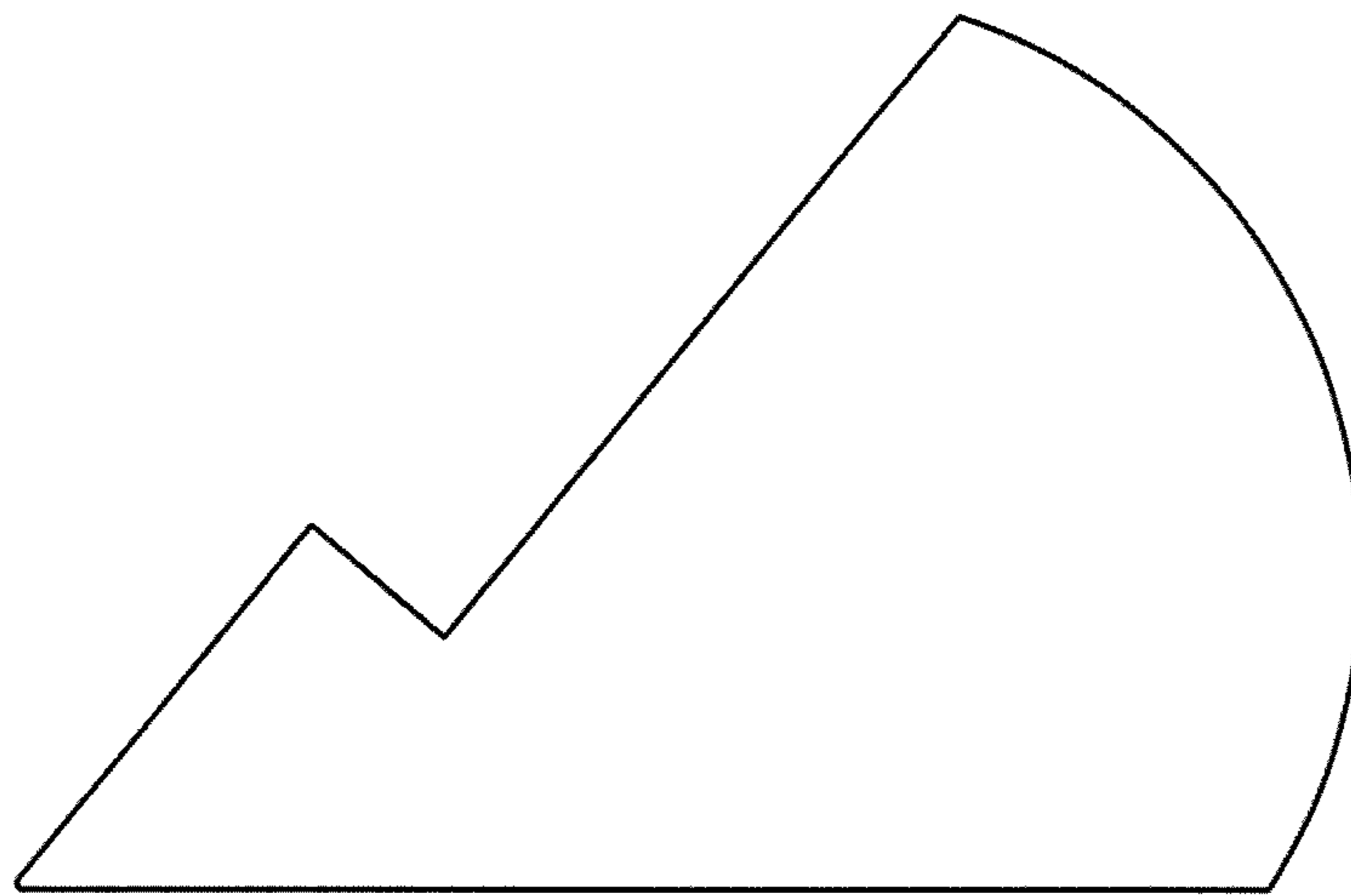


FIG. 2

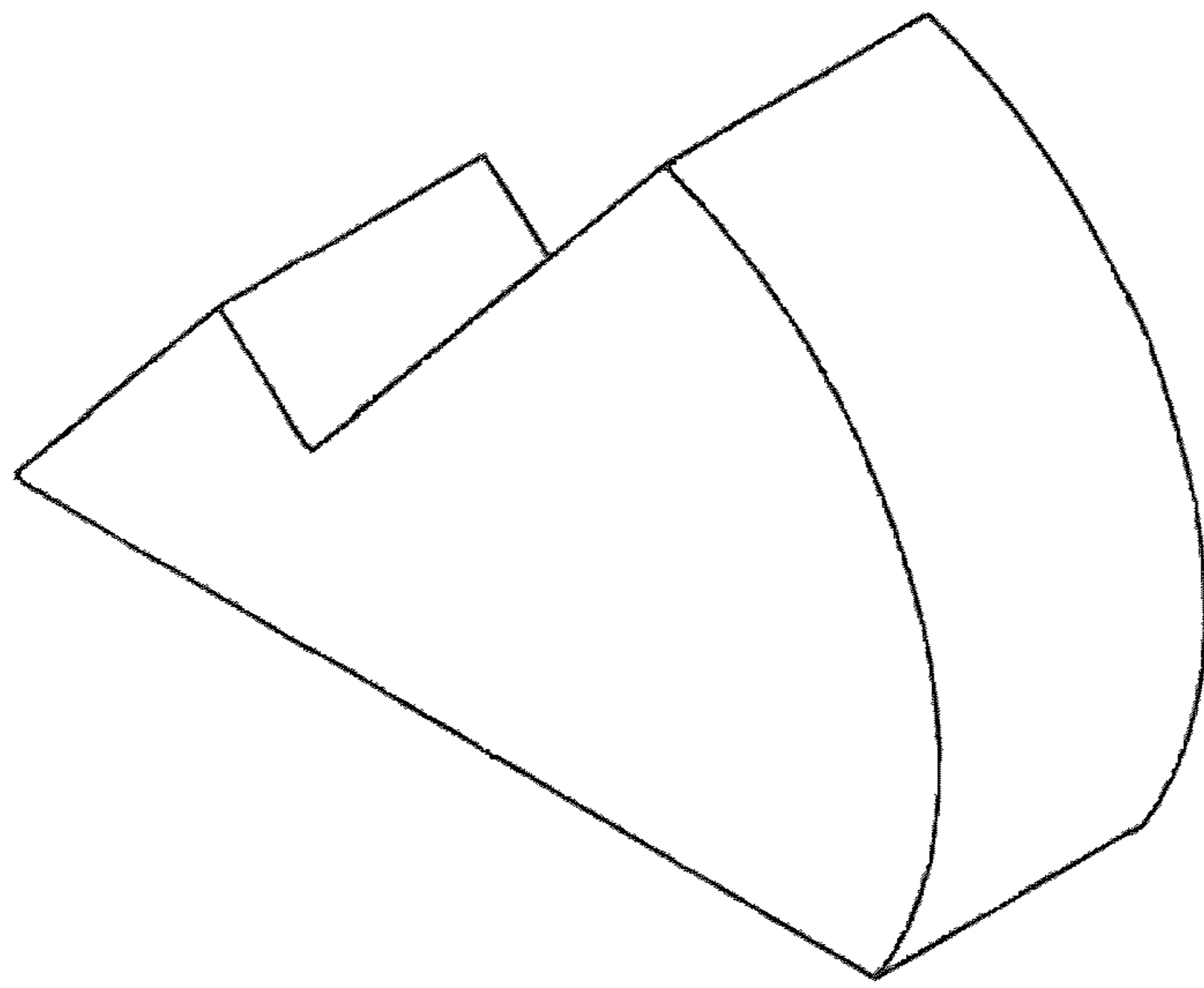


FIG. 3