



US00D681614S

(12) **United States Design Patent**  
**Masui**

(10) **Patent No.:** **US D681,614 S**  
(45) **Date of Patent:** **\*\* May 7, 2013**

(54) **STAND FOR TELEVISION RECEIVER**

(75) Inventor: **Kirio Masui**, Tokyo (JP)

(73) Assignee: **Sony Corporation**, Tokyo (JP)

(\*\*) Term: **14 Years**

(21) Appl. No.: **29/421,300**

(22) Filed: **Jun. 28, 2012**

(30) **Foreign Application Priority Data**

Jan. 6, 2012 (JP) ..... D2012-000115

(51) **LOC (9) Cl.** ..... **14-03**

(52) **U.S. Cl.**  
USPC ..... **D14/239**

(58) **Field of Classification Search** ..... D14/125-134,  
D14/239, 371, 136, 374-377, 440, 450, 448,  
D14/336, 342; 312/7.2; 348/836, 838, 180,  
348/184, 325, 739; 341/12; 248/917-924,  
248/465; 345/104, 133, 156, 168, 87, 173;  
720/605, 669, 600, 655; 369/99, 197; 455/344-347;  
D21/329, 515, 577, 622, 333, 433, 448, 452,  
D21/450, 331; D6/477, 479, 300; 273/148 B;  
446/484, 175, 356; D10/15, 26

See application file for complete search history.

(56) **References Cited**

U.S. PATENT DOCUMENTS

D393,461 S 4/1998 Goto  
D416,549 S \* 11/1999 Coster et al. .... D14/126  
D482,039 S \* 11/2003 Chen et al. .... D14/447  
D533,170 S \* 12/2006 Yamamoto et al. .... D14/239  
D548,226 S \* 8/2007 Ohba et al. .... D14/239  
D548,228 S \* 8/2007 Tanigawa et al. .... D14/239

D548,229 S \* 8/2007 Tanigawa et al. .... D14/239  
D548,486 S 8/2007 Niitsu  
D549,673 S 8/2007 Niitsu  
7,287,729 B2 \* 10/2007 Jung et al. .... 248/122.1  
D562,811 S \* 2/2008 Asanuma et al. .... D14/239  
D609,659 S \* 2/2010 VanDuyne ..... D14/126  
7,748,680 B2 \* 7/2010 Choi ..... 248/371  
D634,722 S \* 3/2011 Kim et al. .... D14/126  
D663,705 S \* 7/2012 Park et al. .... D14/126

FOREIGN PATENT DOCUMENTS

JP D1246848 S 8/2005  
JP D1263662 S 2/2006  
JP D1277297 S 7/2006  
JP D1245997 S 6/2008  
JP D1339855 S 9/2008  
JP D1341903 S 10/2008  
JP D1367992 S 8/2009

\* cited by examiner

*Primary Examiner* — Rapahel Barkai  
*Assistant Examiner* — Randall Gholson

(74) *Attorney, Agent, or Firm* — Rader, Fishman & Grauer  
PLLC

(57) **CLAIM**

The ornamental design for a stand for television receiver, as shown and described.

**DESCRIPTION**

FIG. 1 is a perspective view of a stand for television receiver showing my new design;  
FIG. 2 is a front elevational view thereof;  
FIG. 3 is a rear elevational view thereof;  
FIG. 4 is a left side elevational view thereof;  
FIG. 5 is a right side elevational view thereof;  
FIG. 6 is a top plan view thereof; and,  
FIG. 7 is a bottom plan view thereof.

**1 Claim, 5 Drawing Sheets**

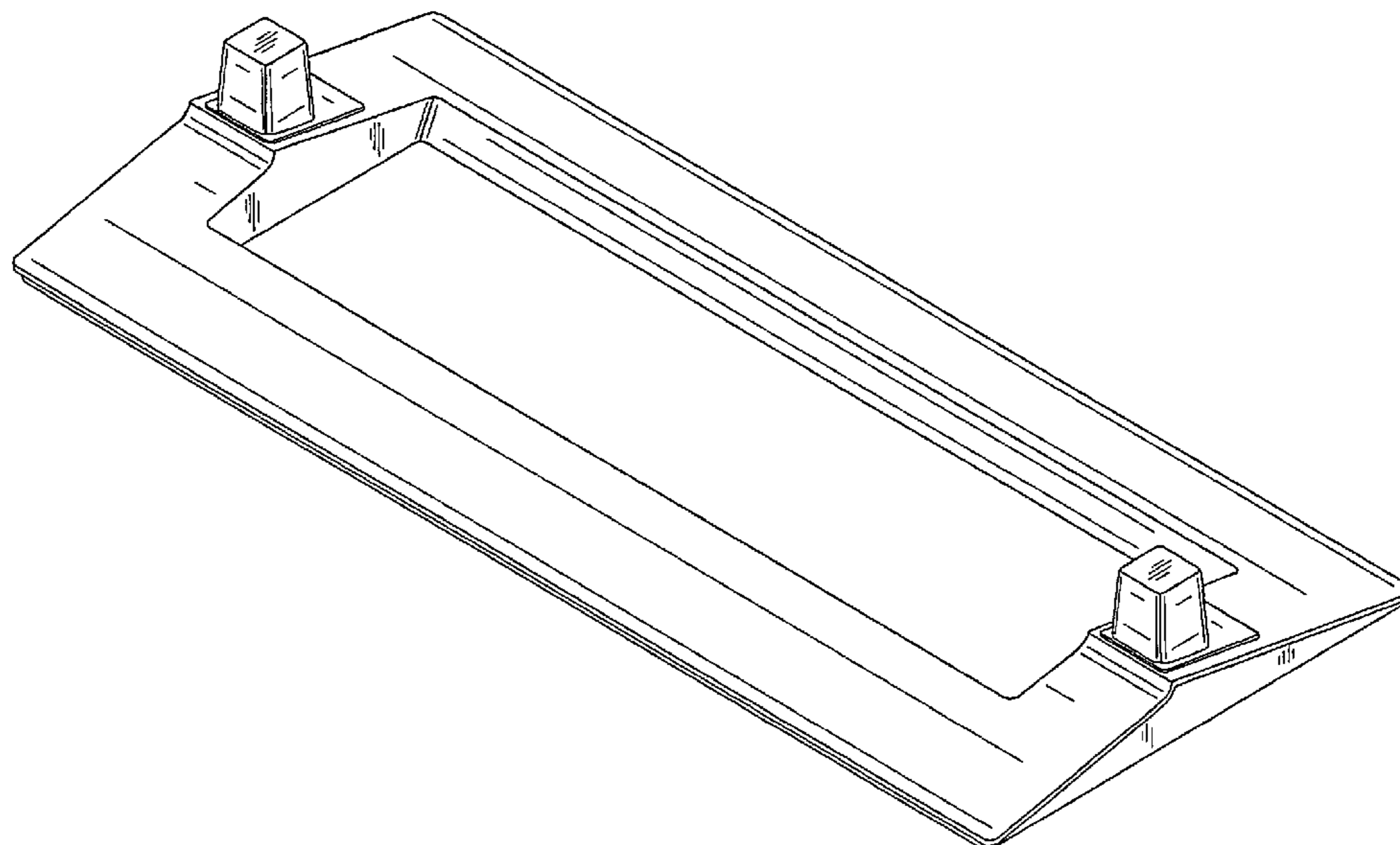


FIG.1

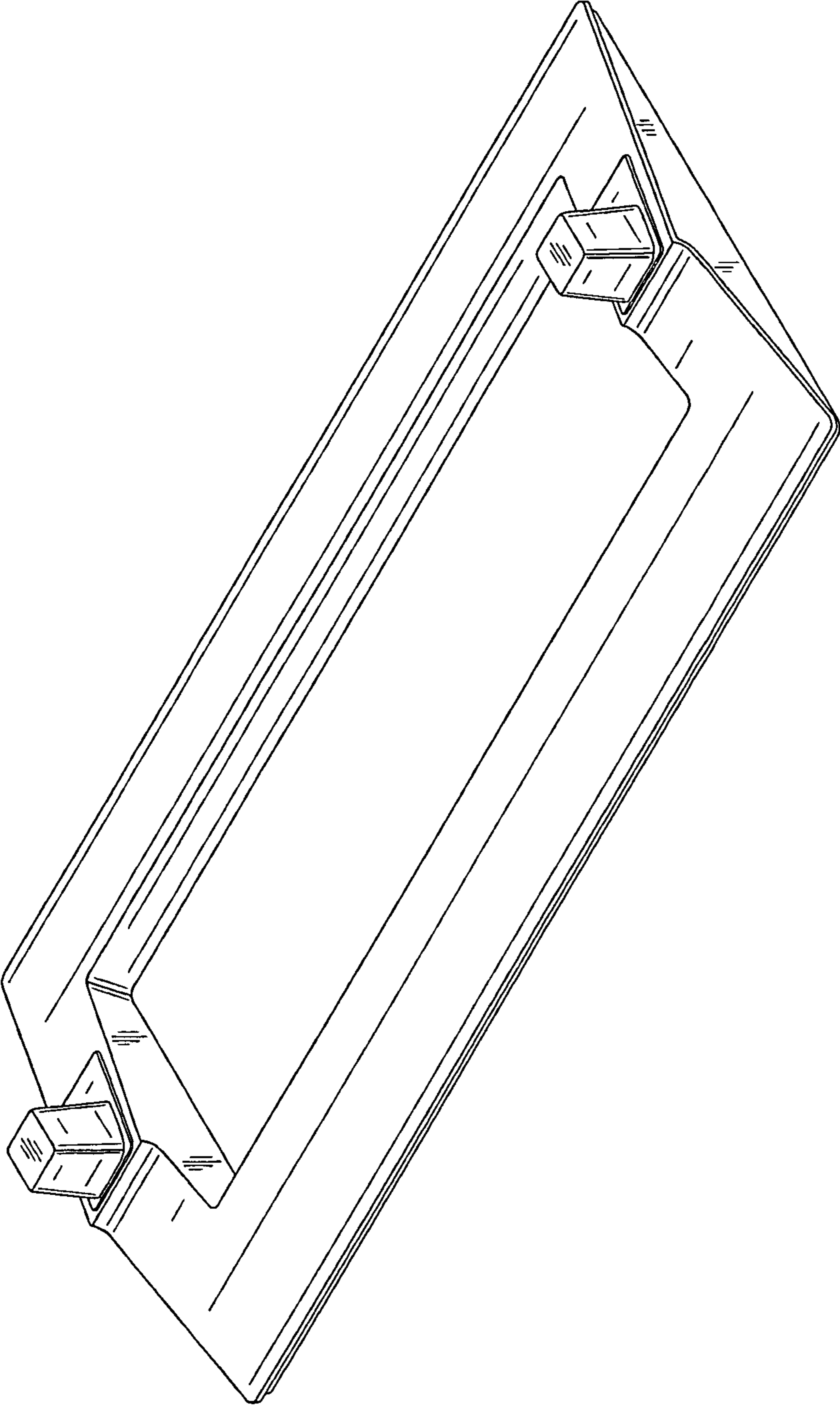


FIG.2

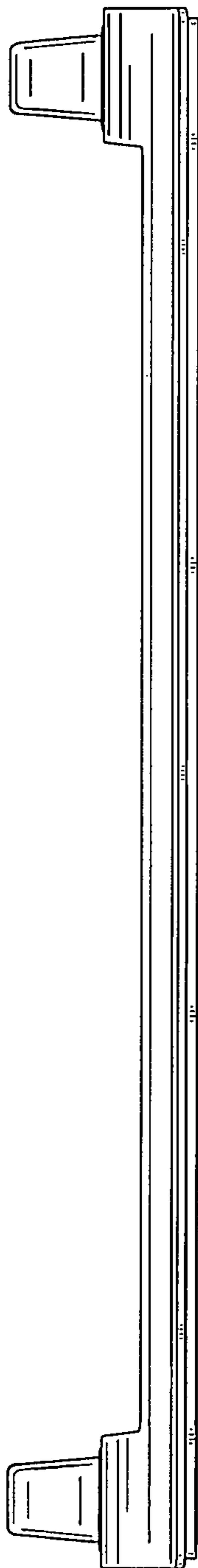


FIG.3

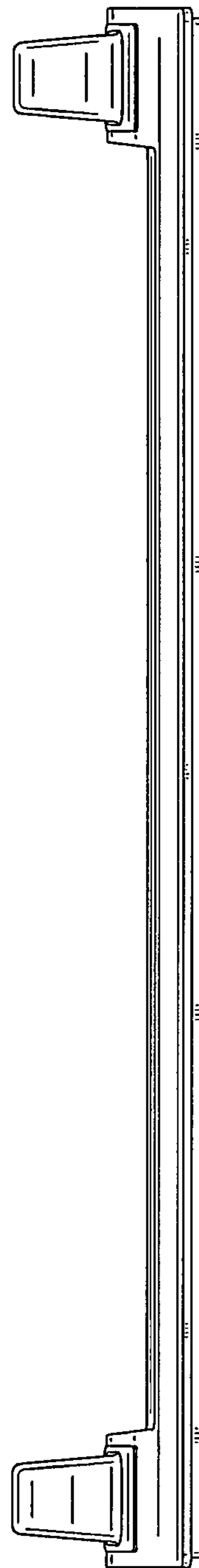


FIG.4

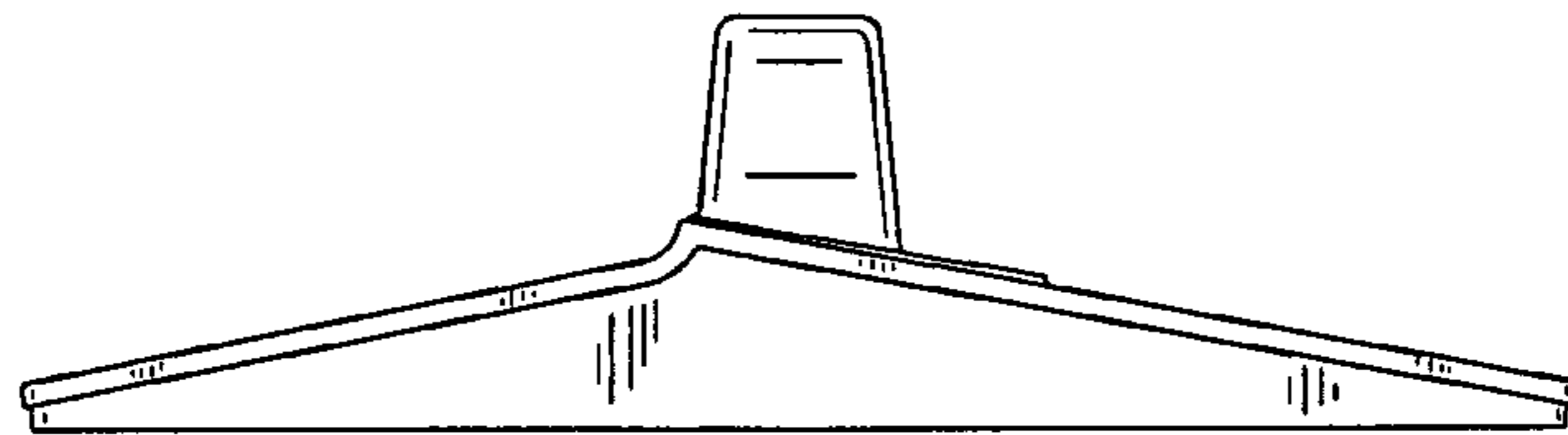


FIG.5

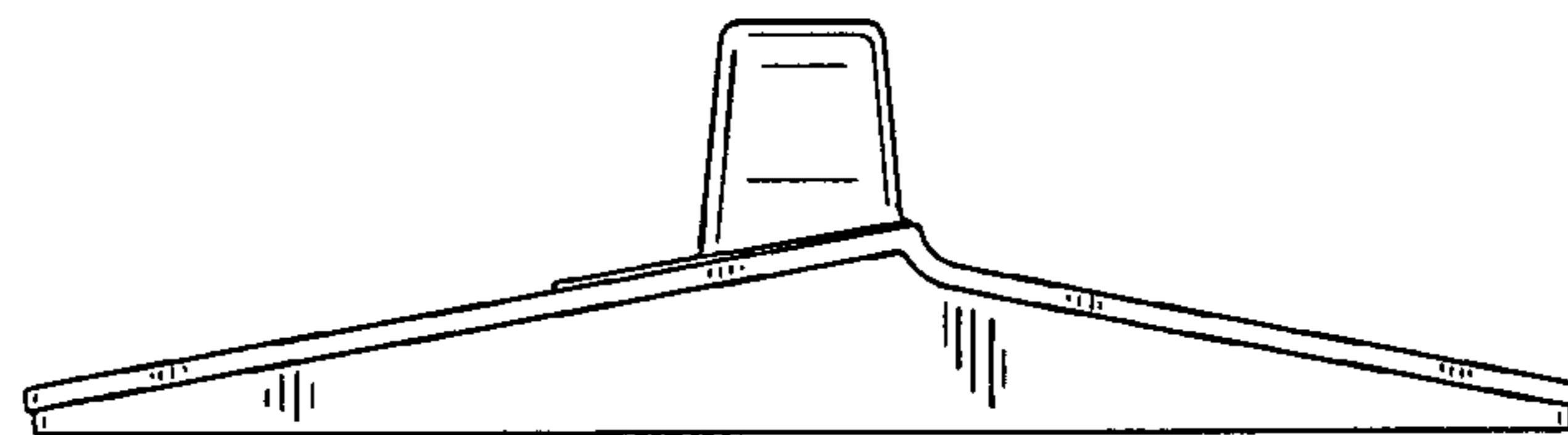


FIG.6

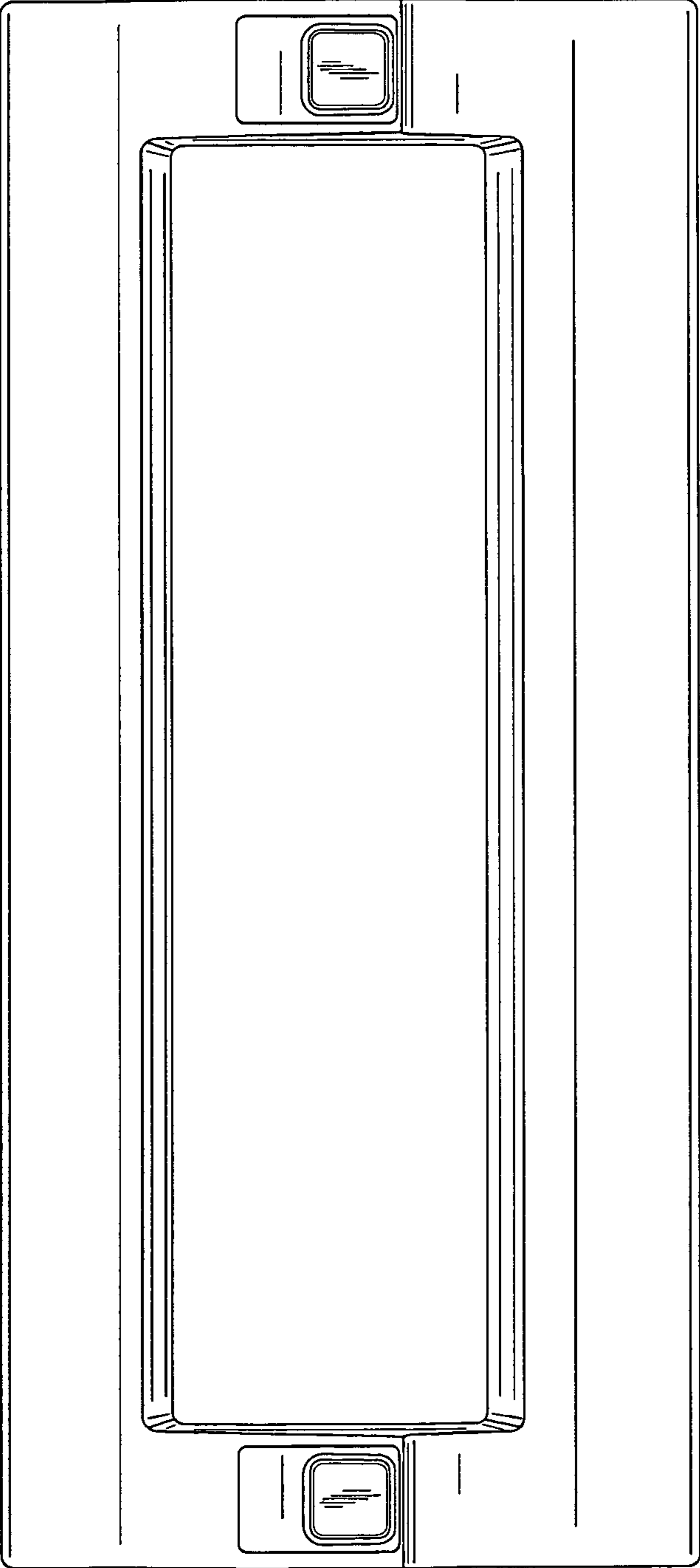


FIG.7

