



US00D681612S

(12) **United States Design Patent**
Palacios

(10) **Patent No.:** **US D681,612 S**
(45) **Date of Patent:** **** May 7, 2013**

- (54) **PERSONAL MEDIA PLAYER SOUND DEFLECTOR**
- (76) Inventor: **Raul Palacios**, Apopka, FL (US)
- (**) Term: **14 Years**
- (21) Appl. No.: **29/405,835**
- (22) Filed: **Nov. 7, 2011**
- (51) **LOC (9) Cl.** **14-03**
- (52) **U.S. Cl.**
USPC **D14/238.1; D14/496; D14/172**
- (58) **Field of Classification Search** D14/204,
D14/204.1, 210–216, 172, 209.1, 496, 203.1,
D14/203.3, 217; 181/143, 144, 147, 148,
181/150–153, 157, 198, 199; 381/300–306,
381/332, 333, 336, 345, 361–364; 273/148 B;
463/1, 29–35, 46, 47
See application file for complete search history.

- D644,202 S * 8/2011 Park et al. D14/214
- D648,721 S * 11/2011 Wong et al. D14/345
- D656,133 S * 3/2012 Wang et al. D14/240

* cited by examiner

Primary Examiner — Prabhakar Deshmukh

(57) **CLAIM**
The ornamental design for a personal media player sound deflector, as shown and described.

DESCRIPTION

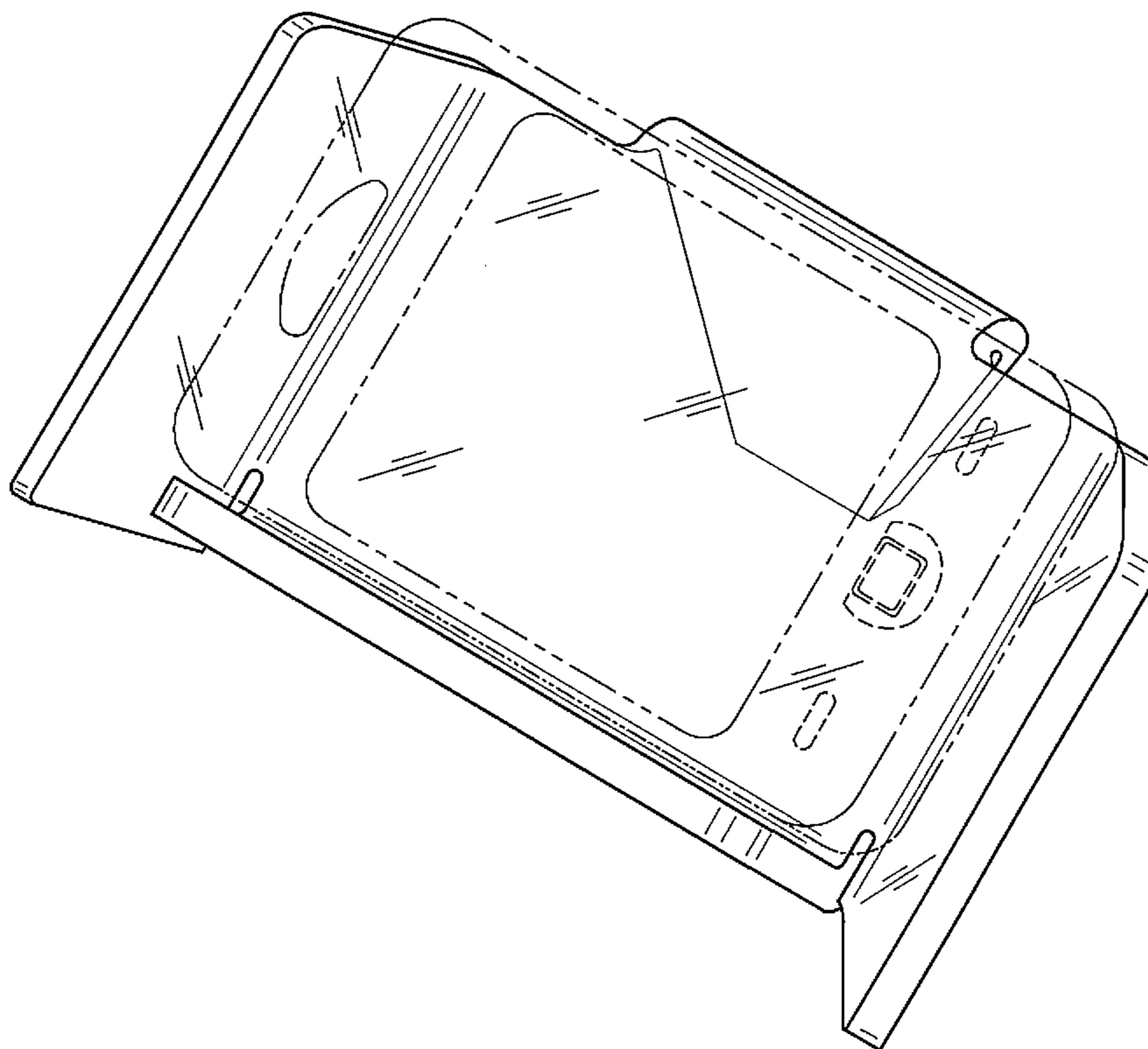
FIG. 1 is a front elevated view of a personal media player sound deflector showing my new design;
 FIG. 2 is a rear elevated view of the personal media player sound deflector;
 FIG. 3 is a side elevated view of the personal media player sound deflector;
 FIG. 4 is a top plan view of the personal media player sound deflector;
 FIG. 5 is a bottom plan view of the personal media player sound deflector;
 FIG. 6 is a front perspective view of the personal media player sound deflector; and,
 FIG. 7 is a front perspective view of the personal media player sound deflector, wherein the portions in phantom are for illustrative purposes only and form no portion of the claimed invention.

(56) **References Cited**

U.S. PATENT DOCUMENTS

- 2,830,330 A * 4/1958 Heath 52/28
- 5,996,727 A * 12/1999 Blind et al. 181/141
- 5,996,729 A * 12/1999 Kampf 181/205
- 6,845,840 B2 * 1/2005 Cowan et al. 181/150
- D579,915 S * 11/2008 Yeo D14/214
- D594,848 S * 6/2009 Imawaki D14/215
- 7,948,392 B2 * 5/2011 Smith et al. 340/693.6

1 Claim, 5 Drawing Sheets



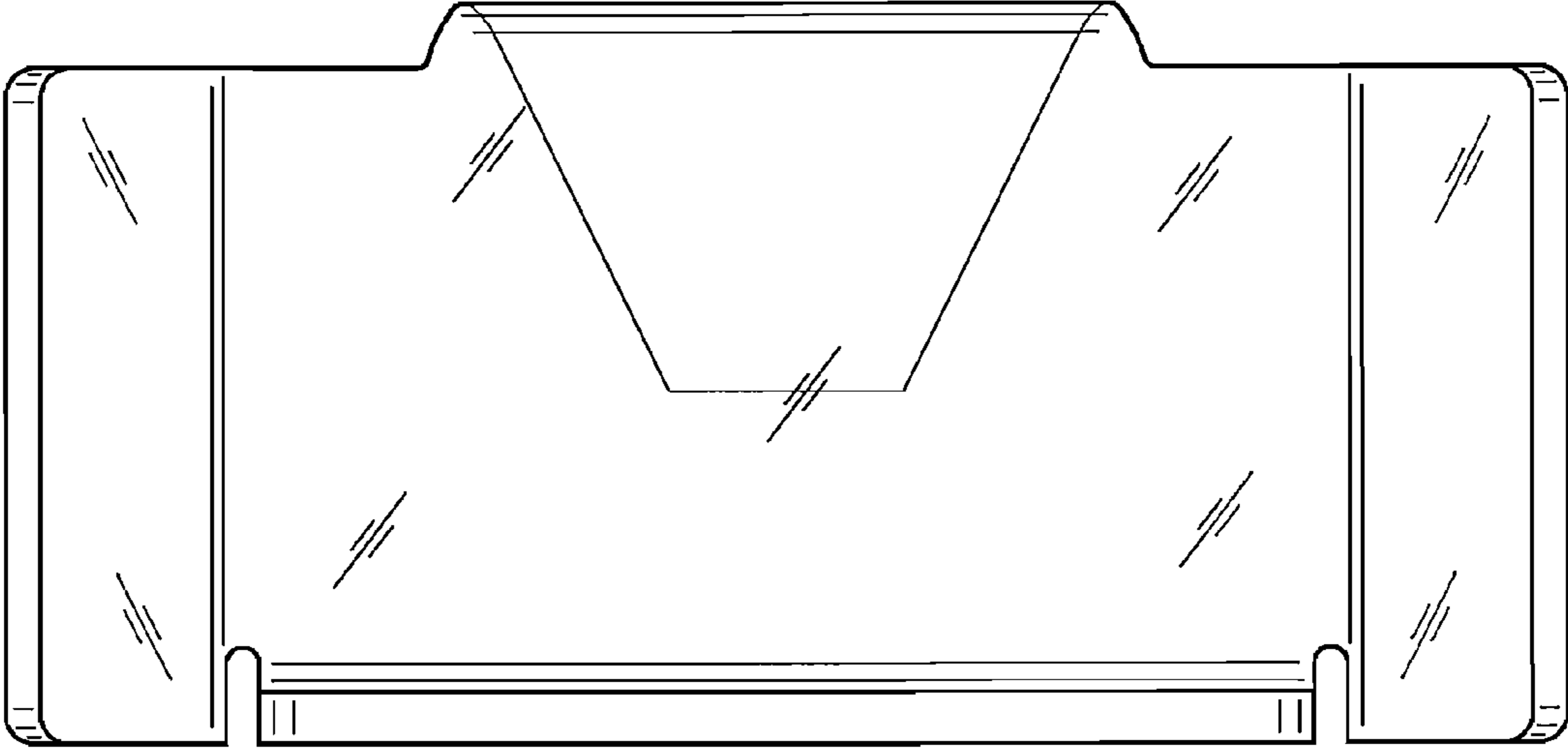


FIG. 1

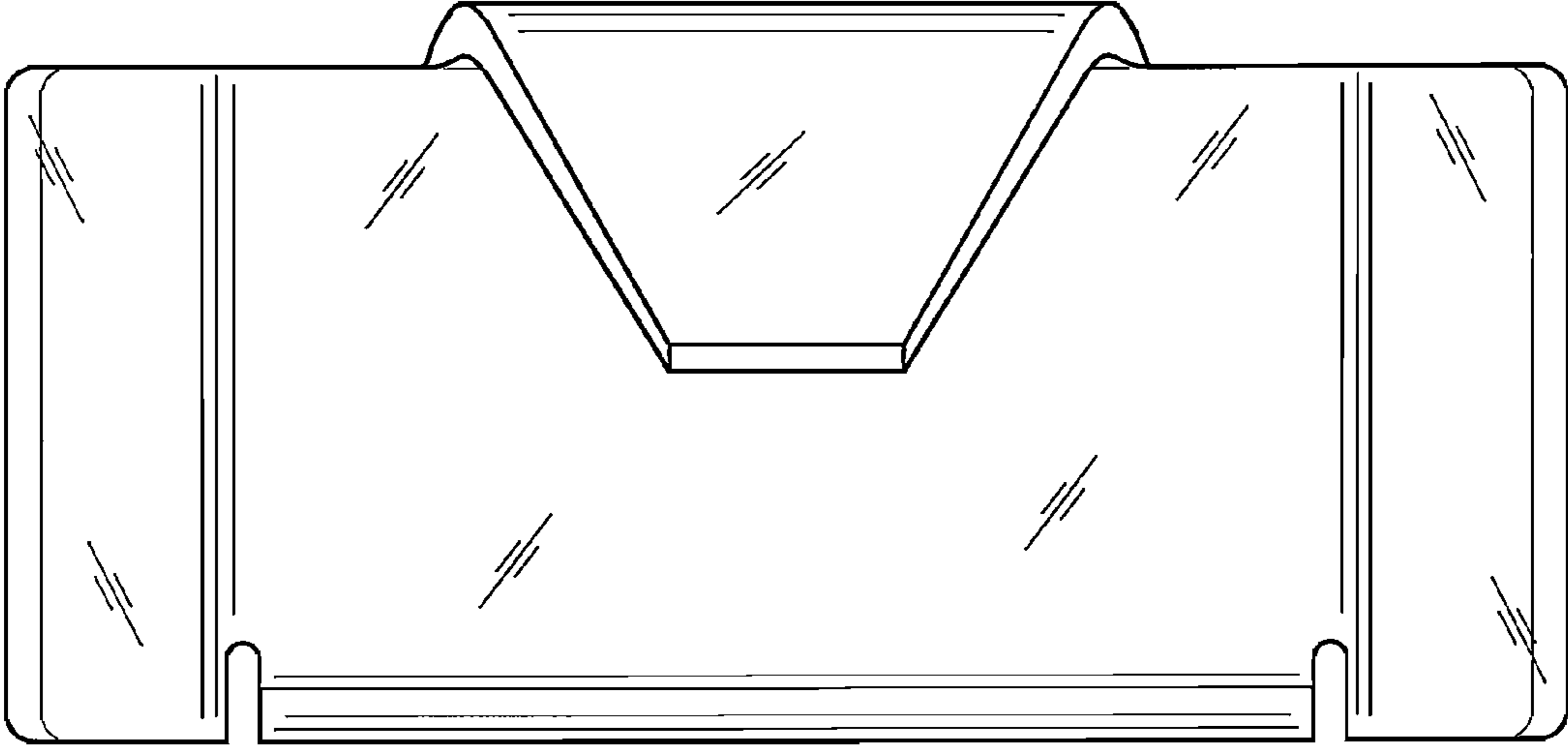


FIG. 2

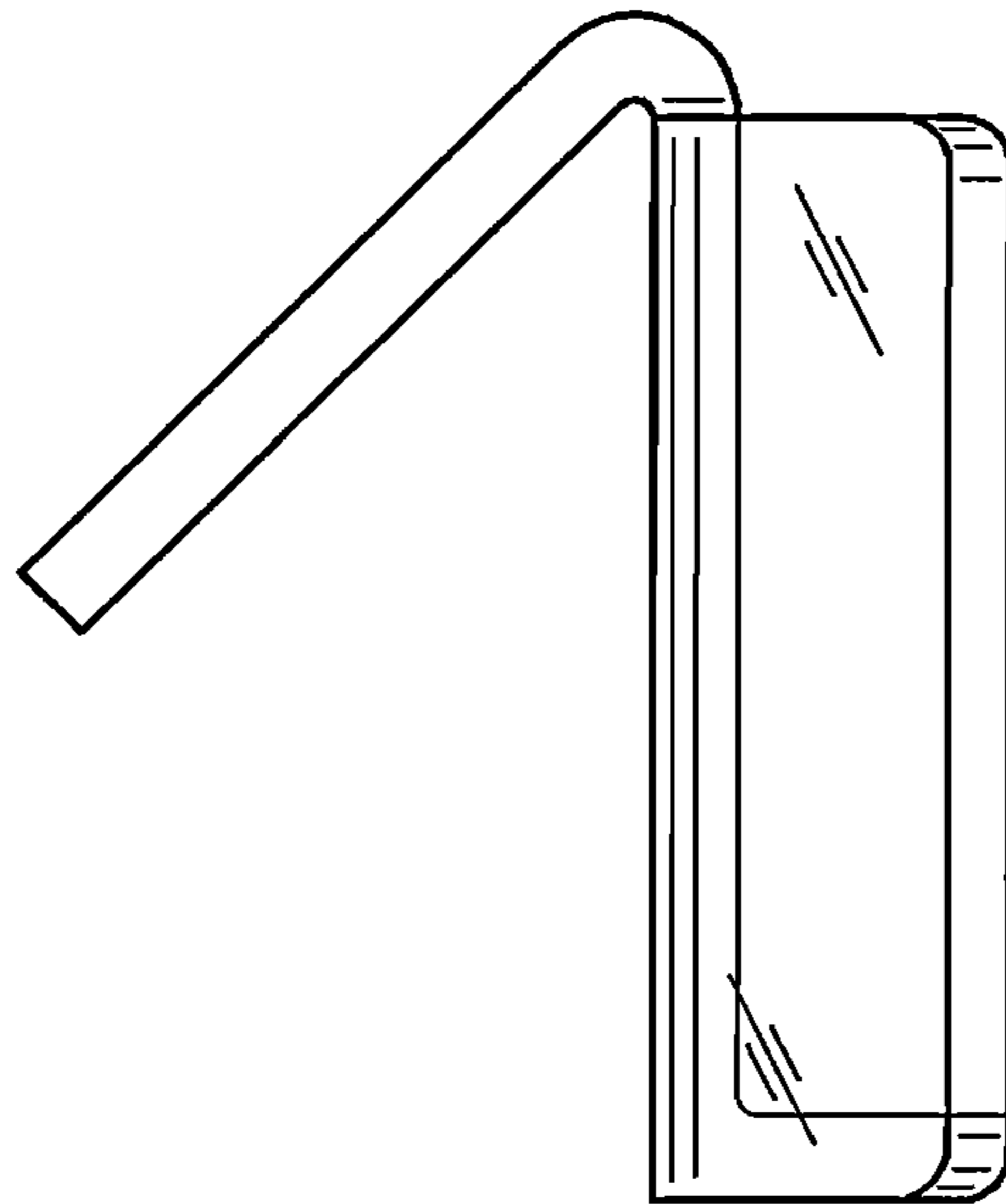


FIG. 3

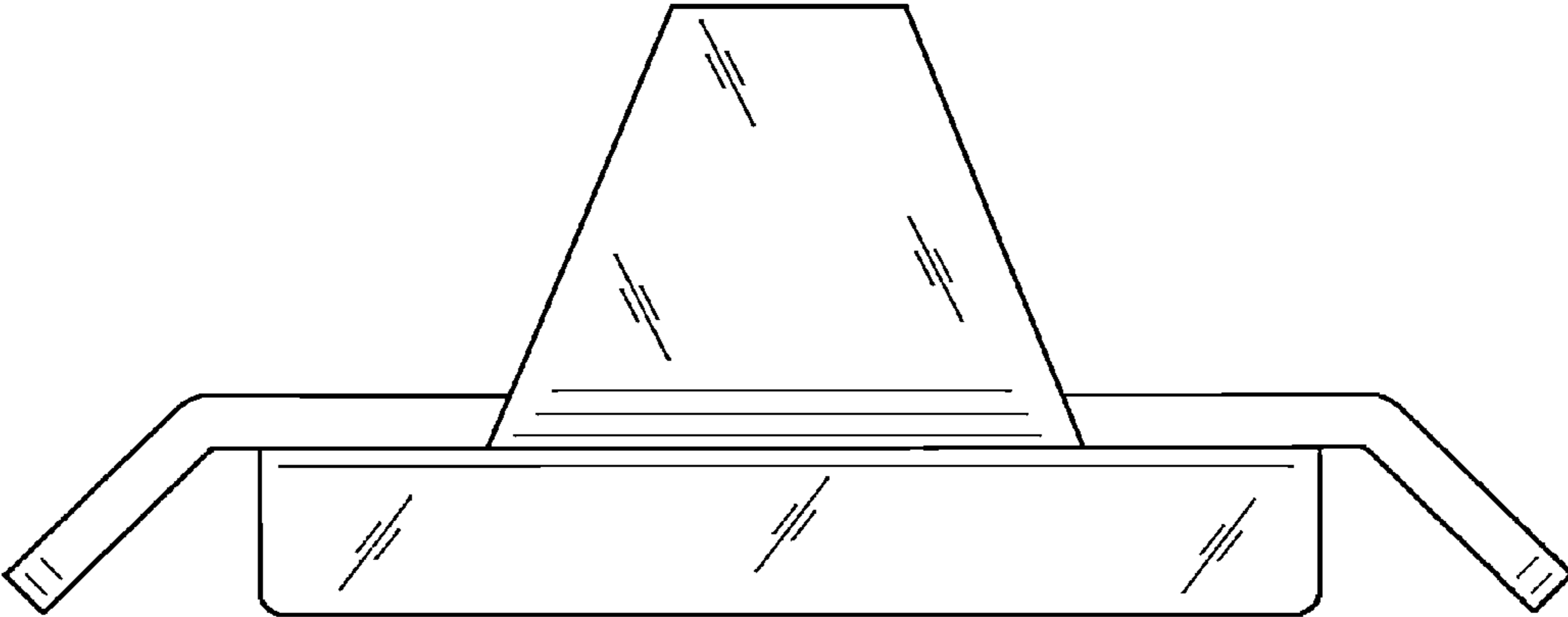


FIG. 4

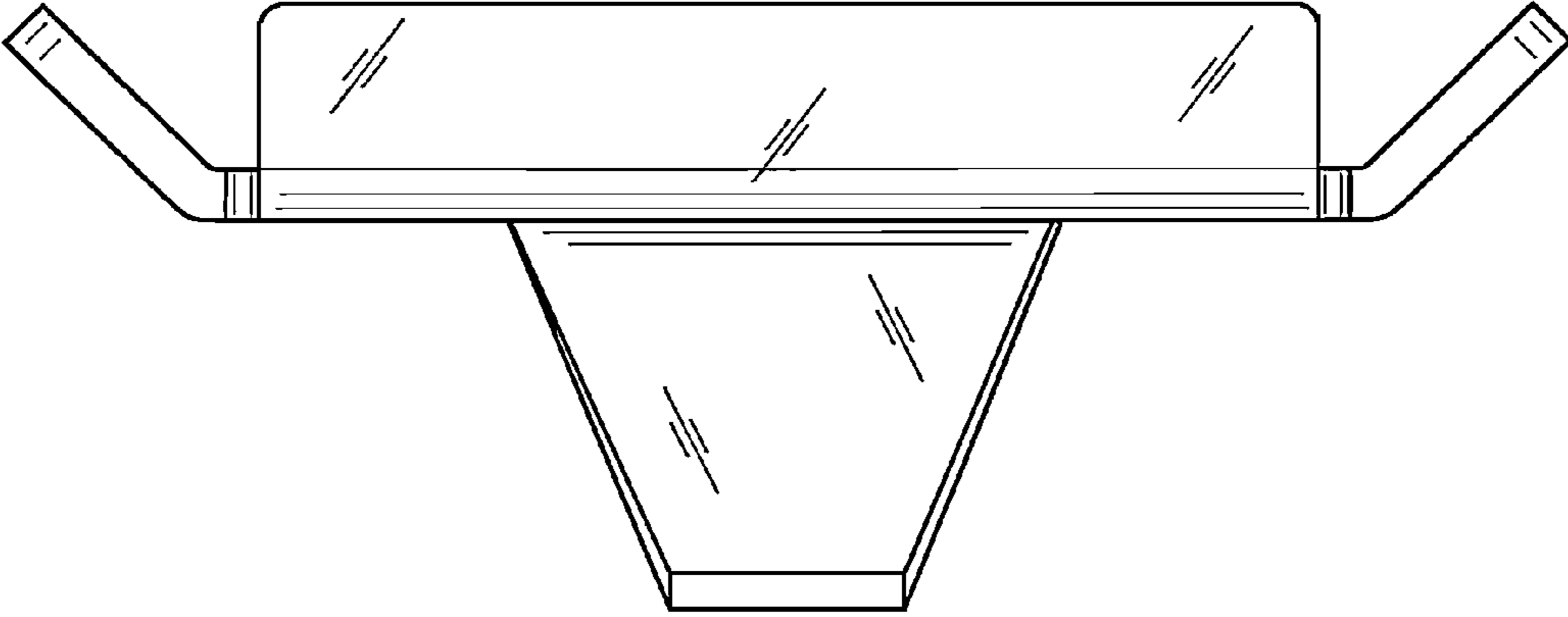


FIG. 5

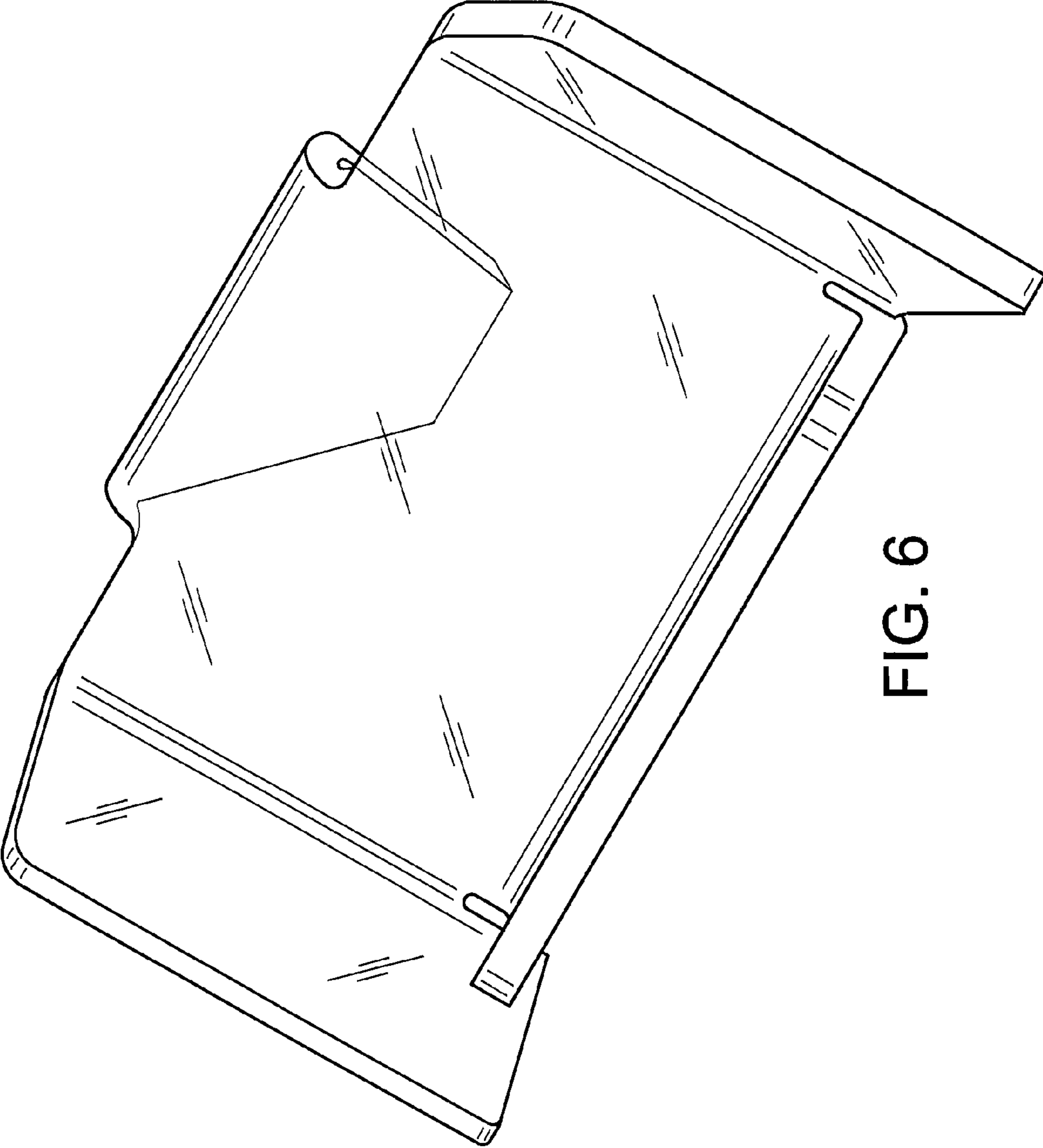


FIG. 6

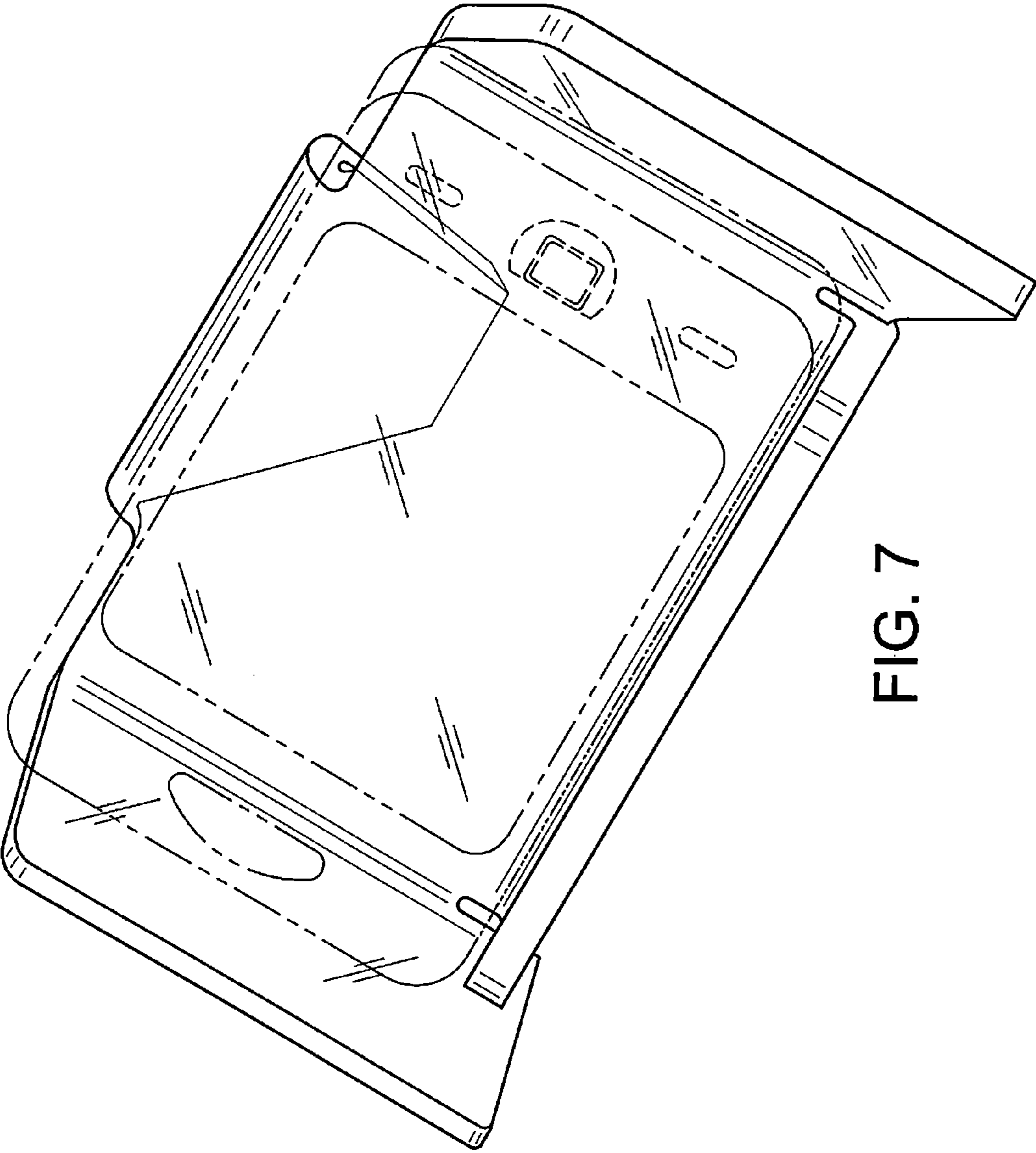


FIG. 7