



US00D681610S

(12) **United States Design Patent**
Twina

(10) **Patent No.:** **US D681,610 S**

(45) **Date of Patent:** **** May 7, 2013**

(54) **WIRELESS COMMUNICATION DEVICE HOUSING**

(75) Inventor: **Yossef Twina**, Rosh-Ha'ayin (IL)

(73) Assignee: **Cardo Systems, Inc.**, Pittsburgh, PA (US)

(**) Term: **14 Years**

(21) Appl. No.: **29/382,497**

(22) Filed: **Jan. 4, 2011**

(51) **LOC (9) Cl.** **14-01**

(52) **U.S. Cl.**
USPC **D14/225**; D14/137; D14/217

(58) **Field of Classification Search** D14/137, D14/138, 191, 192, 204, 205, 206, 217, 223, D14/225, 226, 496; D24/173, 174; 181/129-130, 181/126; 381/374, 376-381, 375; 379/430, 379/433.03, 428.01

See application file for complete search history.

(56) **References Cited**

U.S. PATENT DOCUMENTS

D352,706 S *	11/1994	Hong	D14/137
D388,094 S *	12/1997	Tokiyama et al.	D14/226
6,075,857 A *	6/2000	Doss et al.	379/430
6,760,459 B2 *	7/2000	Bae	381/375
D495,682 S *	9/2004	Gubbels et al.	D14/191
D496,024 S *	9/2004	Gubbels et al.	D14/191
D506,209 S *	6/2005	Leong	D14/203.5
D524,301 S *	7/2006	Coogan et al.	D14/225
D617,317 S *	6/2010	Tatara et al.	D14/225
D619,124 S *	7/2010	Clay	D14/225
D635,264 S *	3/2011	Dubs	D24/174
D646,280 S *	10/2011	Yano	D14/412
D647,512 S *	10/2011	McConnell et al.	D14/223
D663,715 S *	7/2012	Glezerman et al.	D14/205
D667,122 S *	9/2012	Mori et al.	D24/174
2011/0034217 A1 *	2/2011	Kushnirov	455/569.1
2012/0077438 A1 *	3/2012	Jung	455/41.2

2012/0148080 A1 *	6/2012	Kushnirov et al.	381/333
2012/0189153 A1 *	7/2012	Kushnirov et al.	381/375
2012/0190315 A1 *	7/2012	Glezerman et al.	455/90.3
2012/0272436 A1 *	11/2012	Glezerman et al.	2/411

OTHER PUBLICATIONS

Cardo G4 SRPS0002 Scala Rider—Powerset, Includes 2 G4 Headsets, review posted May 11, 2010, [online], [site visited Jan. 2, 2013]. Available from Internet, <URL: http://www.amazon.com/Cardo-G4-SRPS0002-Scala-Rider/product-reviews/B001KOFUQE/ref=cm_cr_pr_top_link_4?ie=UTF8&pageNumber=4&showViewpoints=0&sortBy=bySubmissionDateDescending>.* Scala Rider G4, [online], [site visited Jan. 2, 2013]. Available from Internet, <URL: <http://www.cardosystems.com/scala-rider/scala-rider-g4>>.*

* cited by examiner

Primary Examiner — Robert M Spear

Assistant Examiner — Janice Hallmark

(74) *Attorney, Agent, or Firm* — Leason Ellis LLP

(57) **CLAIM**

The ornamental design for a wireless communication device housing, as shown and described.

DESCRIPTION

FIG. 1 is a perspective view of a wireless communication device housing illustrating my new design and showing the microphone portion and buttons in broken line.

FIG. 2 is a front side view of FIG. 1;

FIG. 3 is a rear side view of FIG. 1;

FIG. 4 is a left side view of FIG. 1;

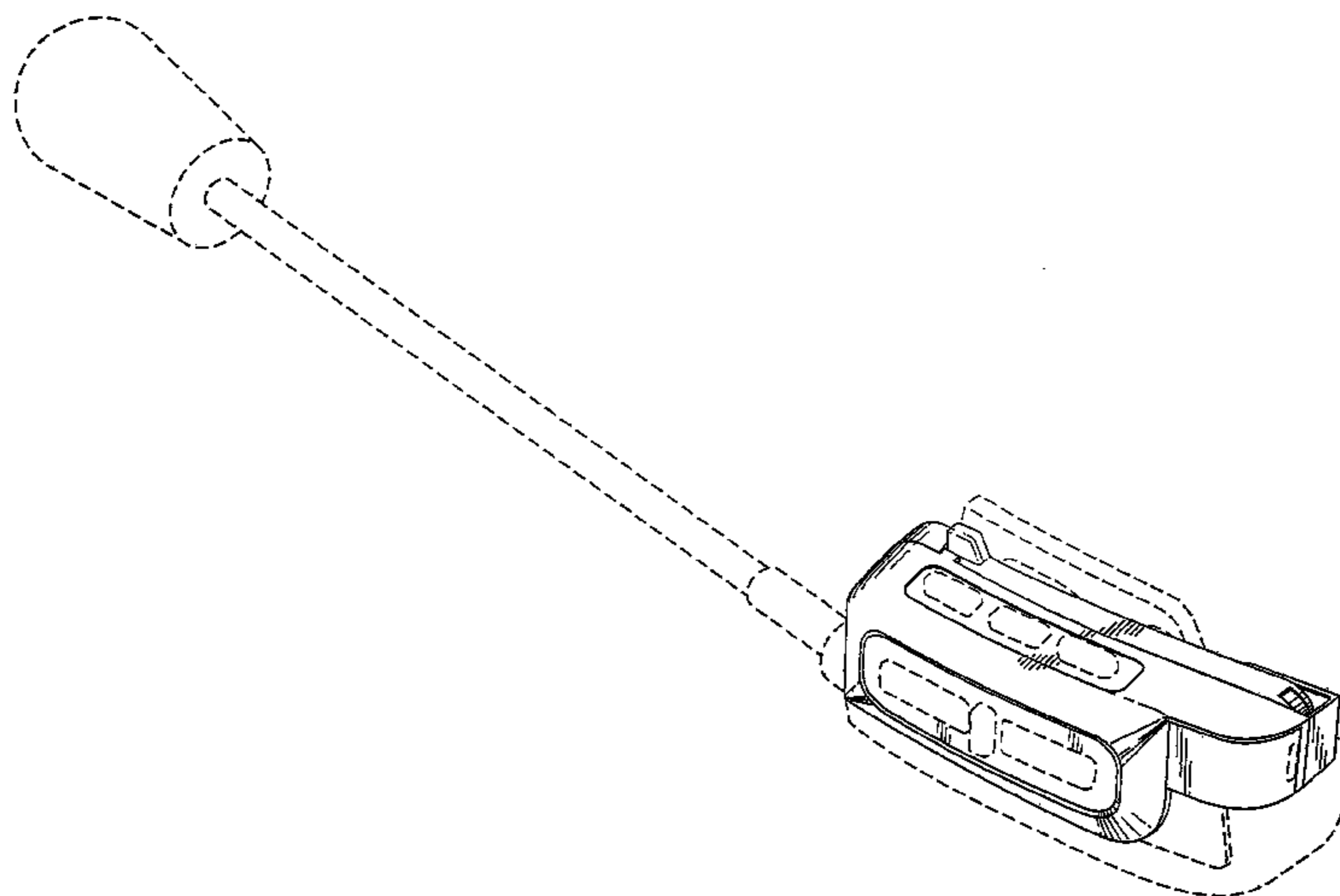
FIG. 5 is a right side view of FIG. 1;

FIG. 6 is a top plan view of FIG. 1; and,

FIG. 7 is a bottom plan view of FIG. 1.

The broken lines shown in the Figures of particular microphones, buttons, and clips, as well as their size, orientation, and configuration, illustrate the environment only and form no part of the claimed design.

1 Claim, 4 Drawing Sheets



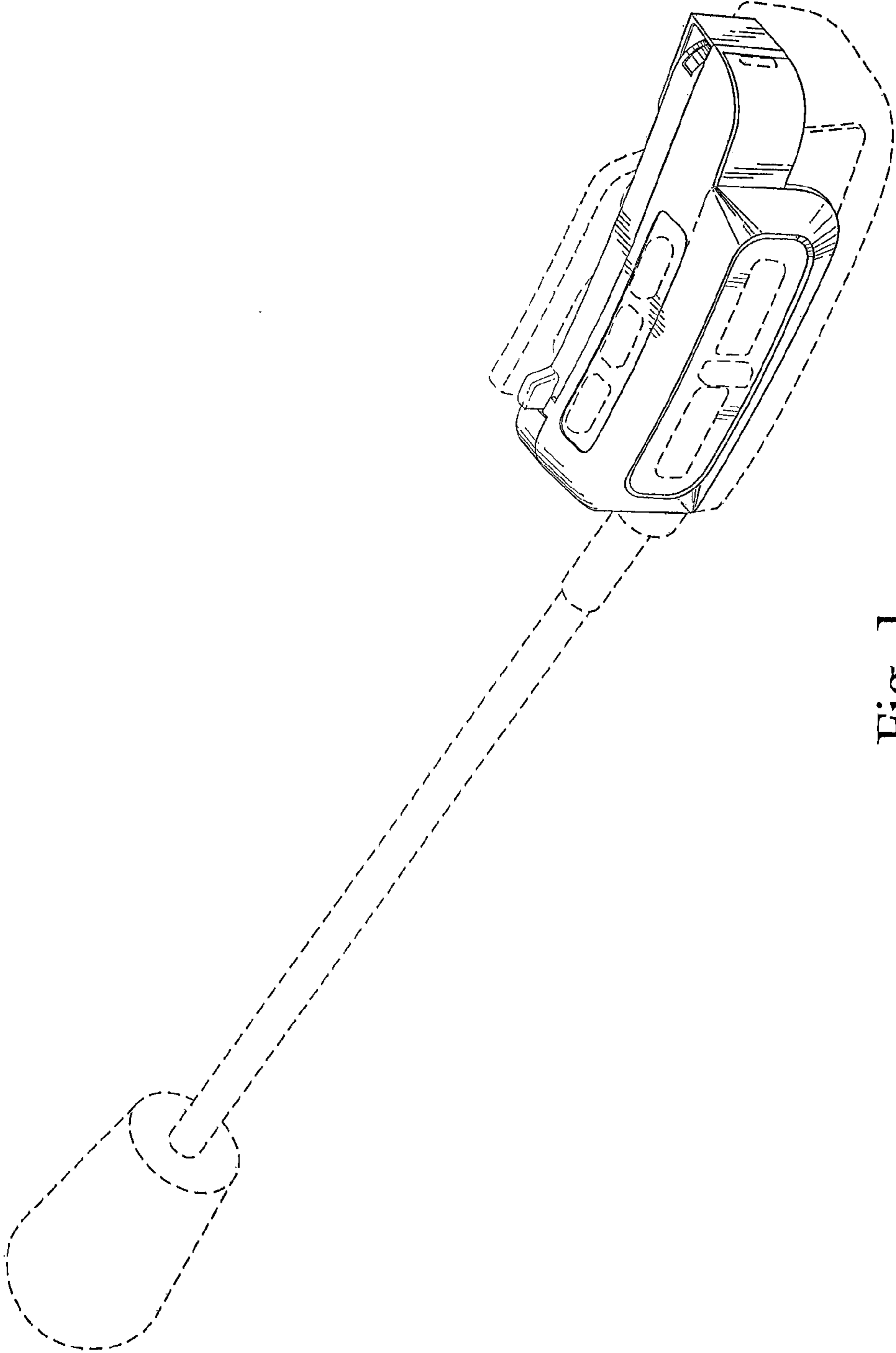
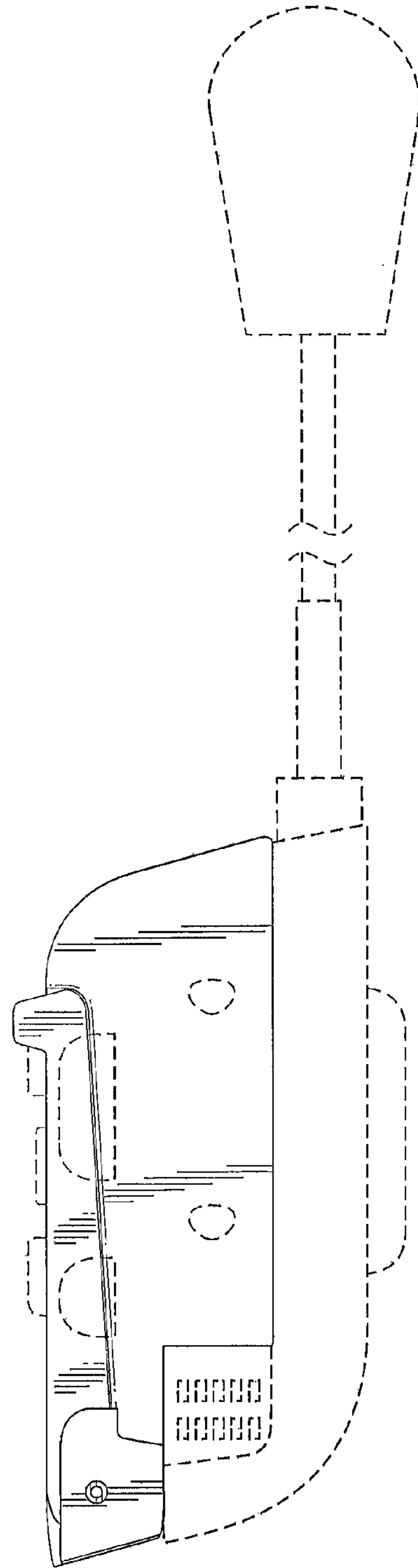
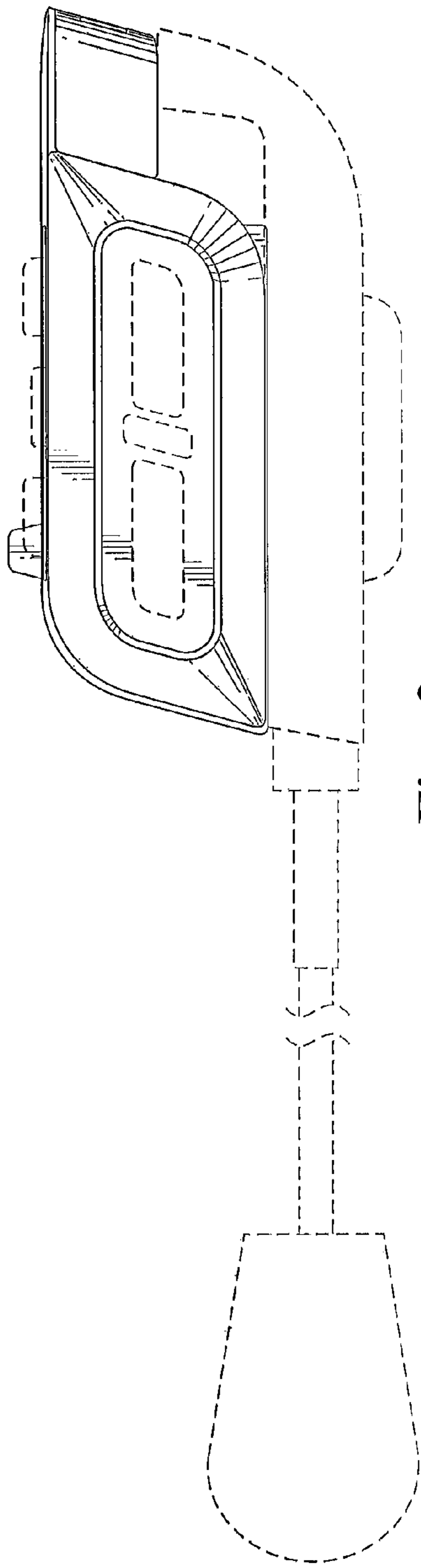


Fig. 1



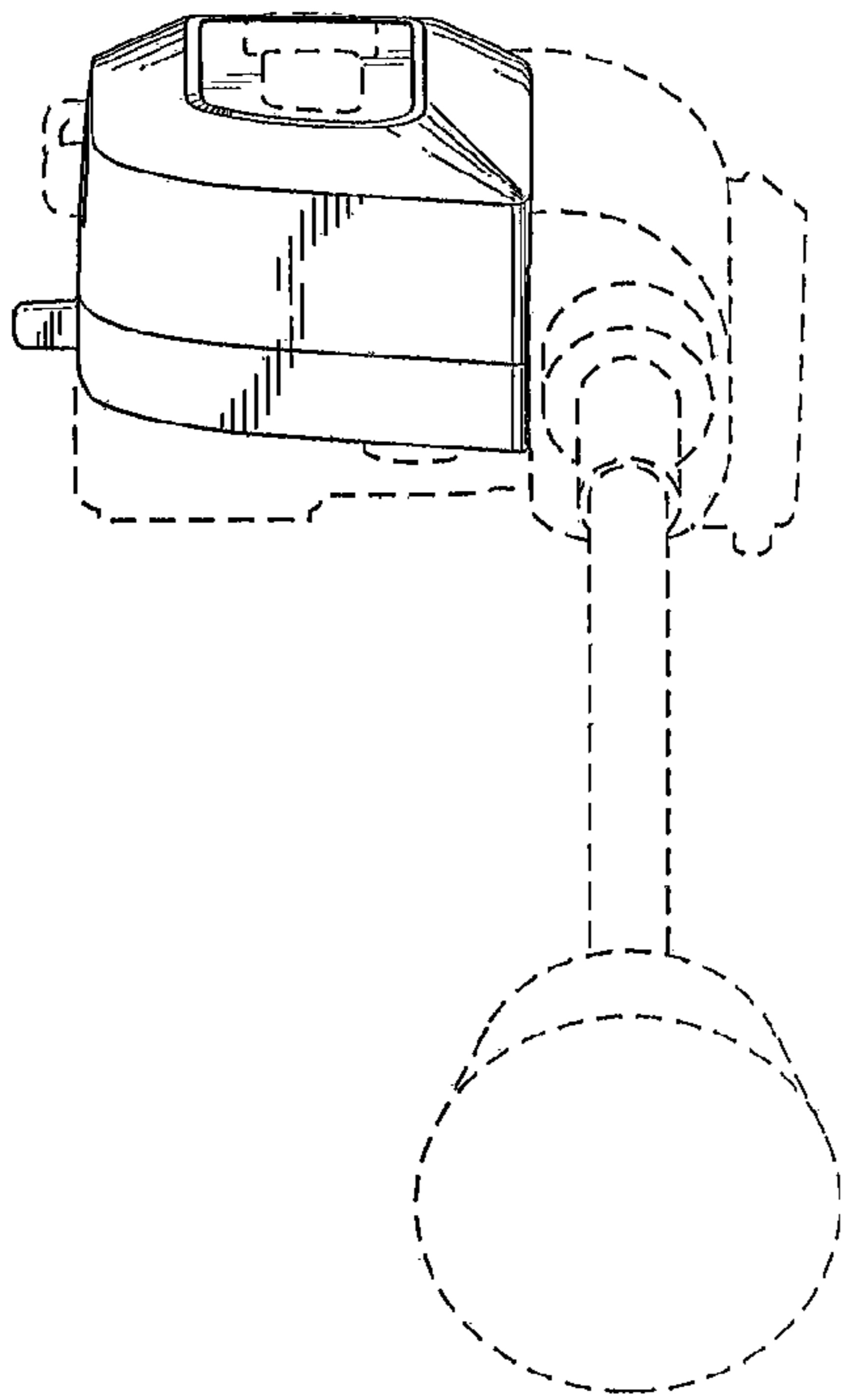


Fig. 4

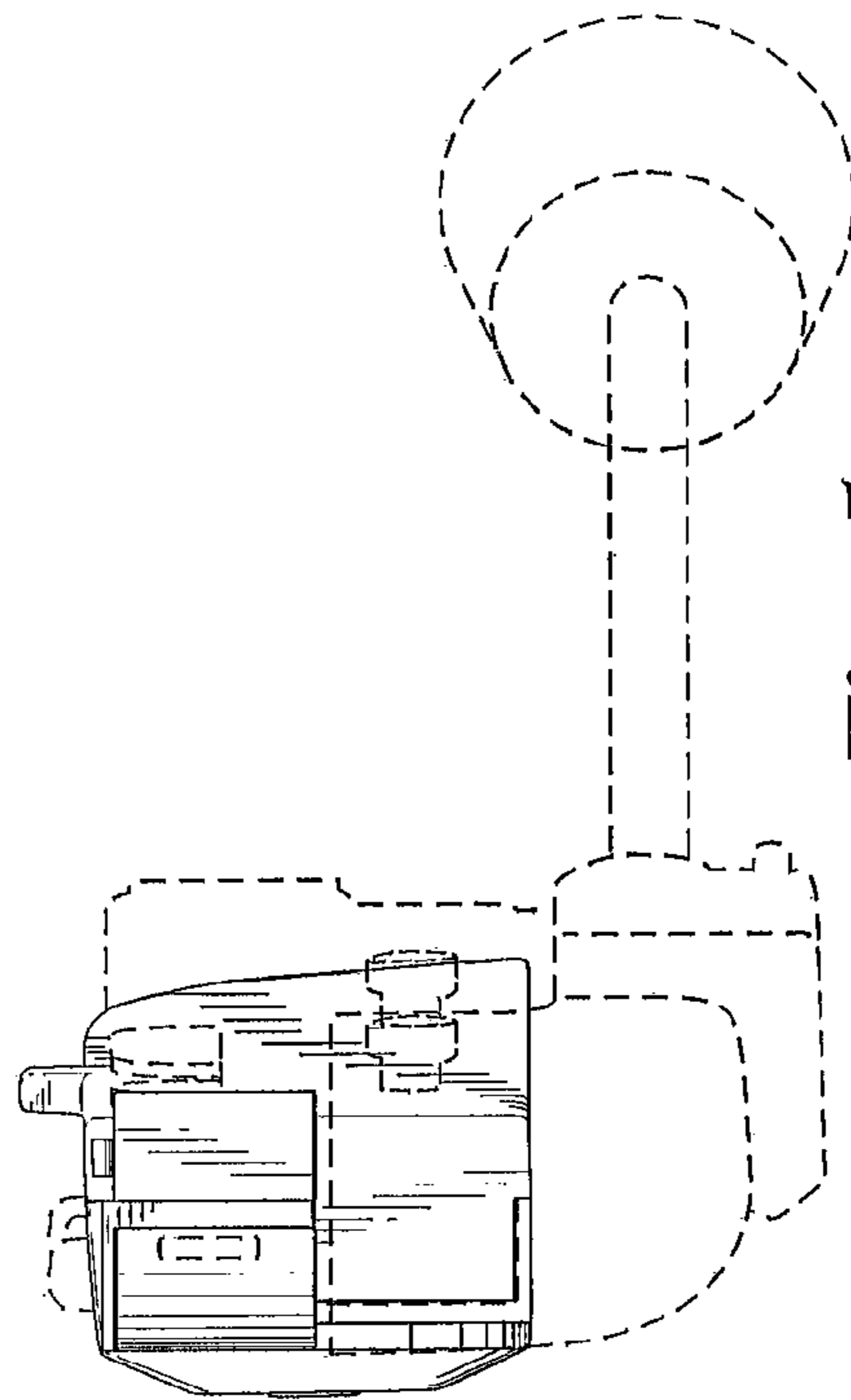


Fig. 5

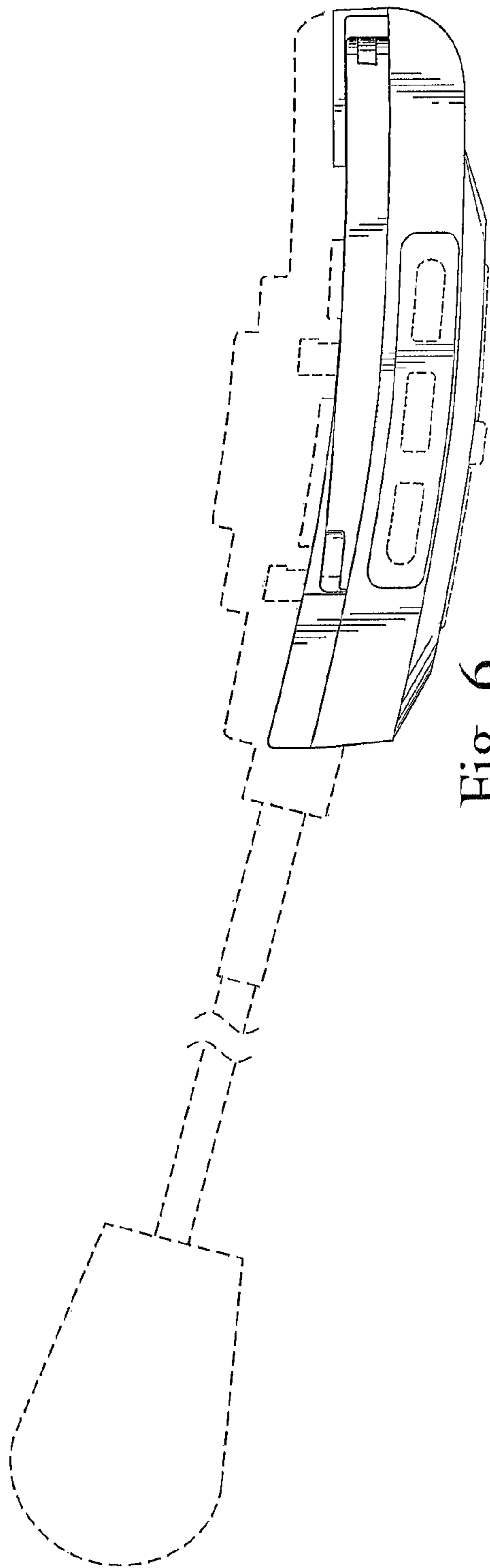


Fig. 6

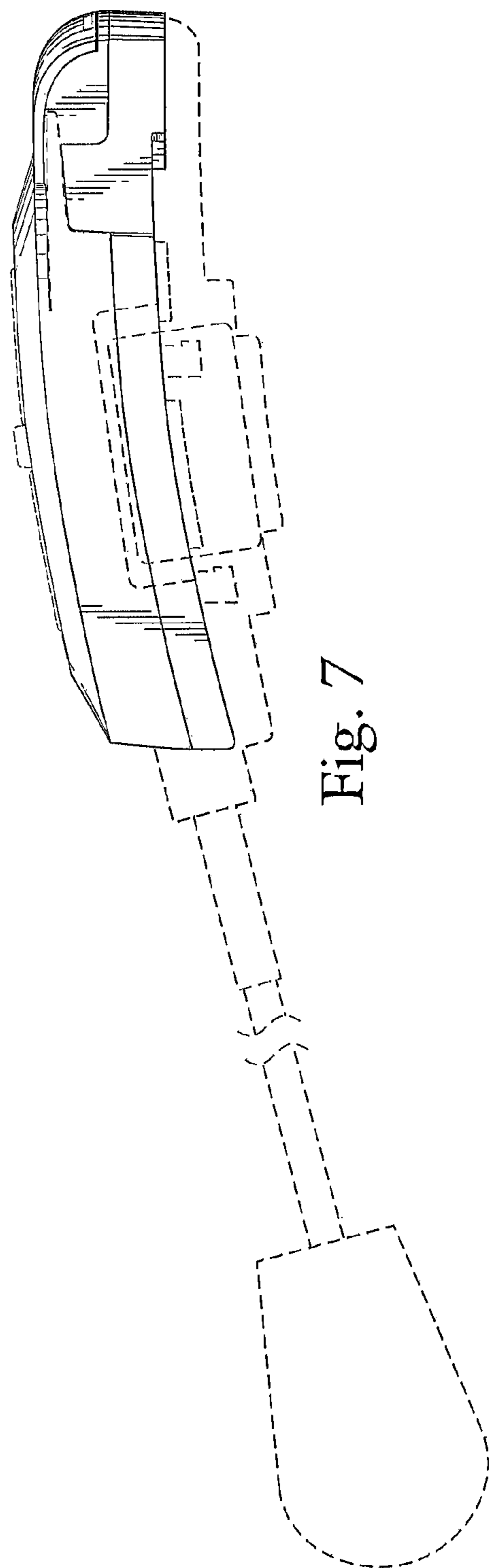


Fig. 7