



US00D681606S

(12) **United States Design Patent**  
**Nishii et al.**

(10) **Patent No.:** **US D681,606 S**  
(45) **Date of Patent:** **\*\* May 7, 2013**

(54) **SPEAKER BOX**

(75) Inventors: **Hiroki Nishii**, Osaka (JP); **Kinya Hasegawa**, Nara (JP)

(73) Assignee: **Panasonic Corporation**, Osaka (JP)

(\*\*) Term: **14 Years**

(21) Appl. No.: **29/396,595**

(22) Filed: **Jul. 1, 2011**

(51) **LOC (9) Cl.** ..... **14-03**

(52) **U.S. Cl.**  
USPC ..... **D14/214**

(58) **Field of Classification Search** ..... D14/167,  
D14/172, 194–196, 204, 207, 209.1, 210–216,  
D14/221, 222; 181/143, 144, 147, 148, 150,  
181/153, 157, 198, 199; 381/300–303, 306,  
381/332, 333, 336, 345, 361–364, 386–388  
See application file for complete search history.

(56) **References Cited**

U.S. PATENT DOCUMENTS

D472,542 S *	4/2003	Oikawa	.....	D14/172
D478,891 S *	8/2003	Hisatsune	.....	D14/211
D547,748 S *	7/2007	Tsuge	.....	D14/211
D589,939 S *	4/2009	Hsu	.....	D14/214
D606,977 S *	12/2009	Privett et al.	.....	D14/214
D641,338 S *	7/2011	Chen	.....	D14/209.1
D660,284 S *	5/2012	Carbone	.....	D14/214
8,254,622 B2 *	8/2012	Jiang et al.	.....	381/386
D672,749 S *	12/2012	Onoue	.....	D14/214

FOREIGN PATENT DOCUMENTS

JP	D1174518	6/2003
JP	D1317954	12/2007

OTHER PUBLICATIONS

MercadoLibre, "Nuevo Vizio Sound Bar Wireless Vsb210ws Para Lcd Led 2010", obtained from the internet address <[http://articulo.mercadolibre.com.ar/MLA-98473696-nuevo-vizio-sound-bar-wireless-usb210ws-para-lcd-led-2010-\\_JM](http://articulo.mercadolibre.com.ar/MLA-98473696-nuevo-vizio-sound-bar-wireless-usb210ws-para-lcd-led-2010-_JM)>, on Jun. 6, 2011, 4 pages.

mercadolibre.com.ar/MLA-98473696-nuevo-vizio-sound-bar-wireless-usb210ws-para-lcd-led-2010-\_JM>, on Jun. 6, 2011, 4 pages.

\* cited by examiner

*Primary Examiner* — Keli L Hill

(74) *Attorney, Agent, or Firm* — Brinks Hofer Gilson & Lione

(57) **CLAIM**

We claim the ornamental design for a speaker box, as shown and described.

**DESCRIPTION**

FIG. 1 is a front perspective view of a speaker box of the present invention;  
 FIG. 2 is a front view thereof;  
 FIG. 3 is a rear view thereof;  
 FIG. 4 is a first side view thereof;  
 FIG. 5 is a second side view thereof;  
 FIG. 6 is a top view thereof;  
 FIG. 7 is a bottom view thereof;  
 FIG. 8 is a front perspective view thereof shown in a detached state;  
 FIG. 9 is an enlarged view of the area denoted by line 9-9 of FIG. 2;  
 FIG. 10 is an enlarged view of the area denoted by line 10-10 of FIG. 2;  
 FIG. 11 is an enlarged view of the area denoted by line 11-11 of FIG. 2;  
 FIG. 12 is an enlarged view of the area denoted by line 12-12 of FIG. 2;  
 FIG. 13 is a front perspective view thereof shown in an environment of use; and,  
 FIG. 14 is a front perspective view thereof shown in an alternate environment of use.  
 The broken line showing of the feet and base in FIGS. 13 and 14 are included for the purpose of illustrating environment and forms no part of the claimed design.

**1 Claim, 14 Drawing Sheets**

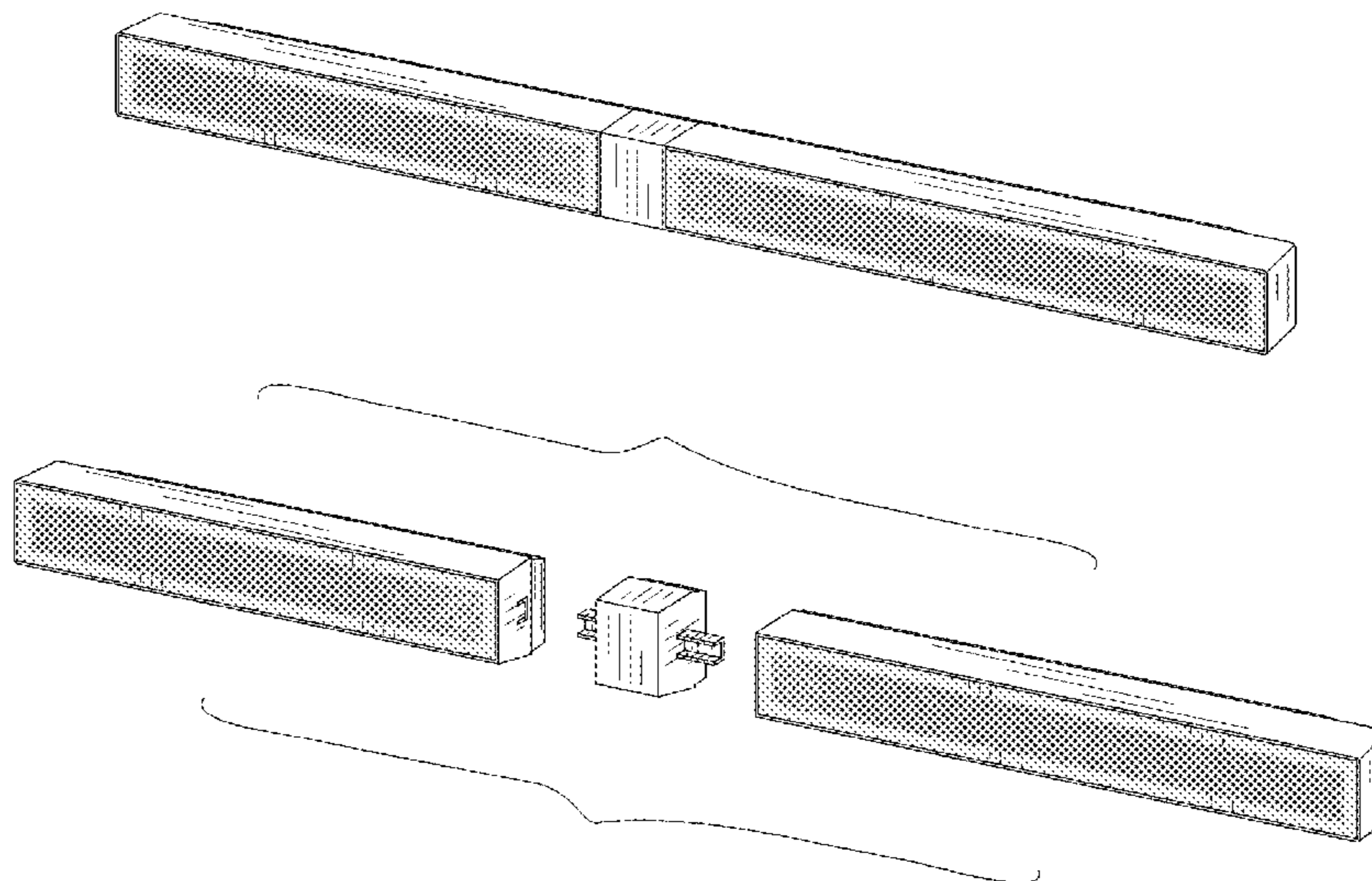


FIG. 1

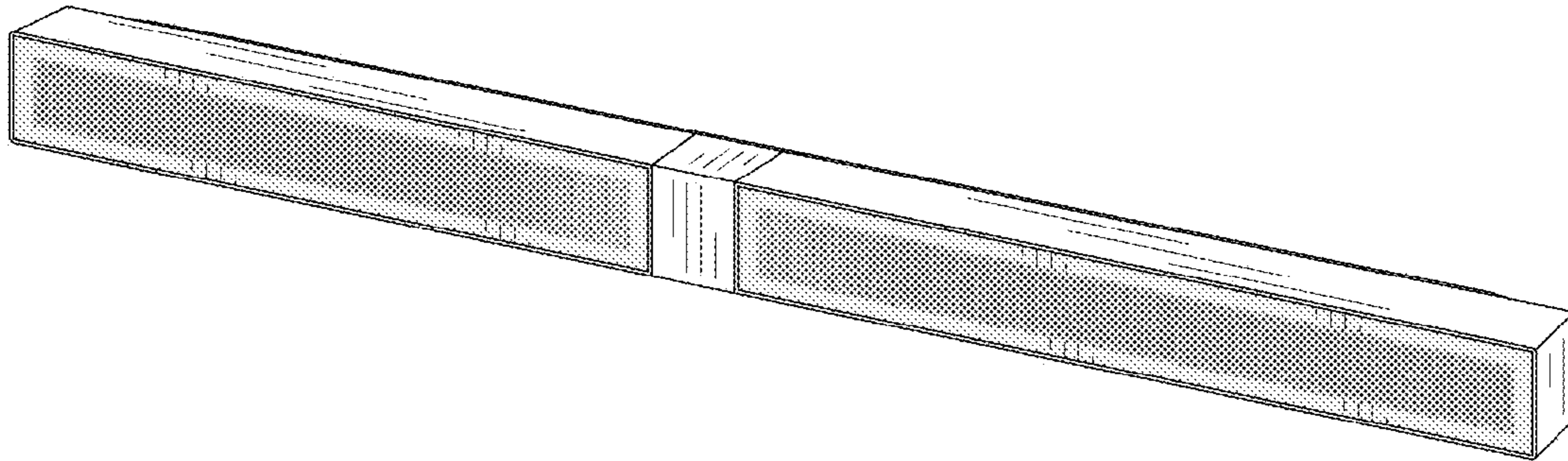


FIG.2

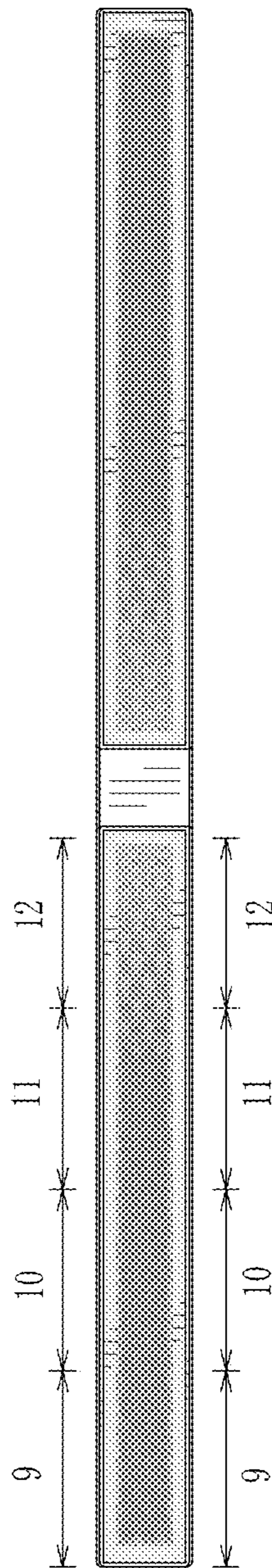


FIG.3

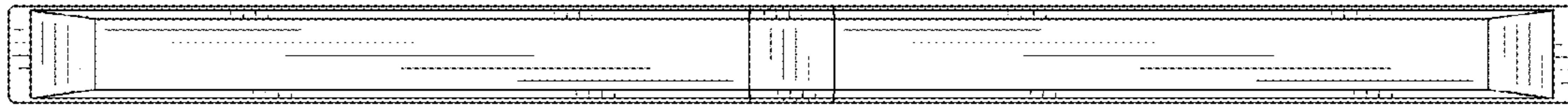


FIG.4

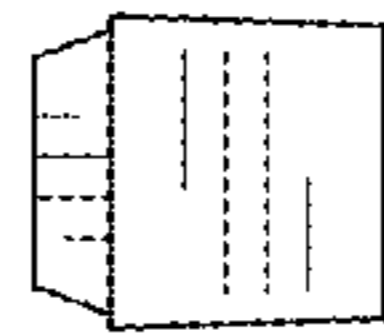


FIG.5

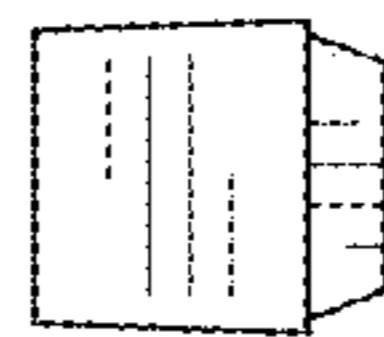


FIG.6

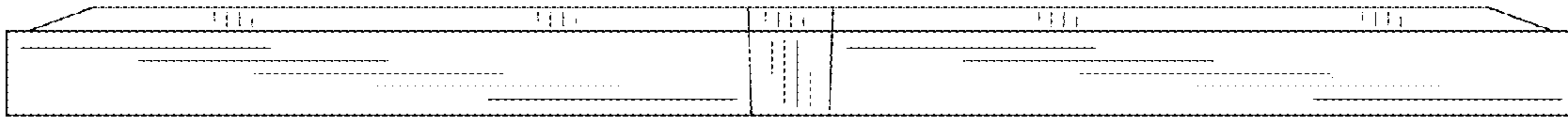


FIG. 7





FIG. 8

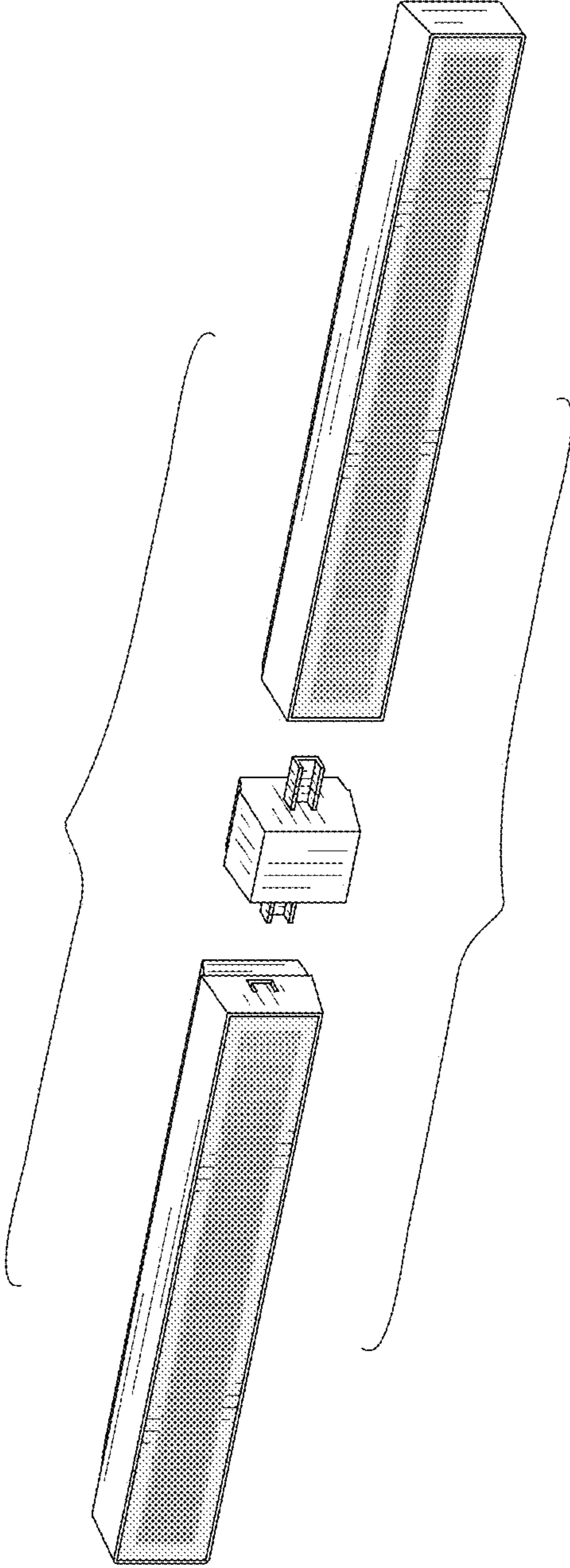


FIG.9

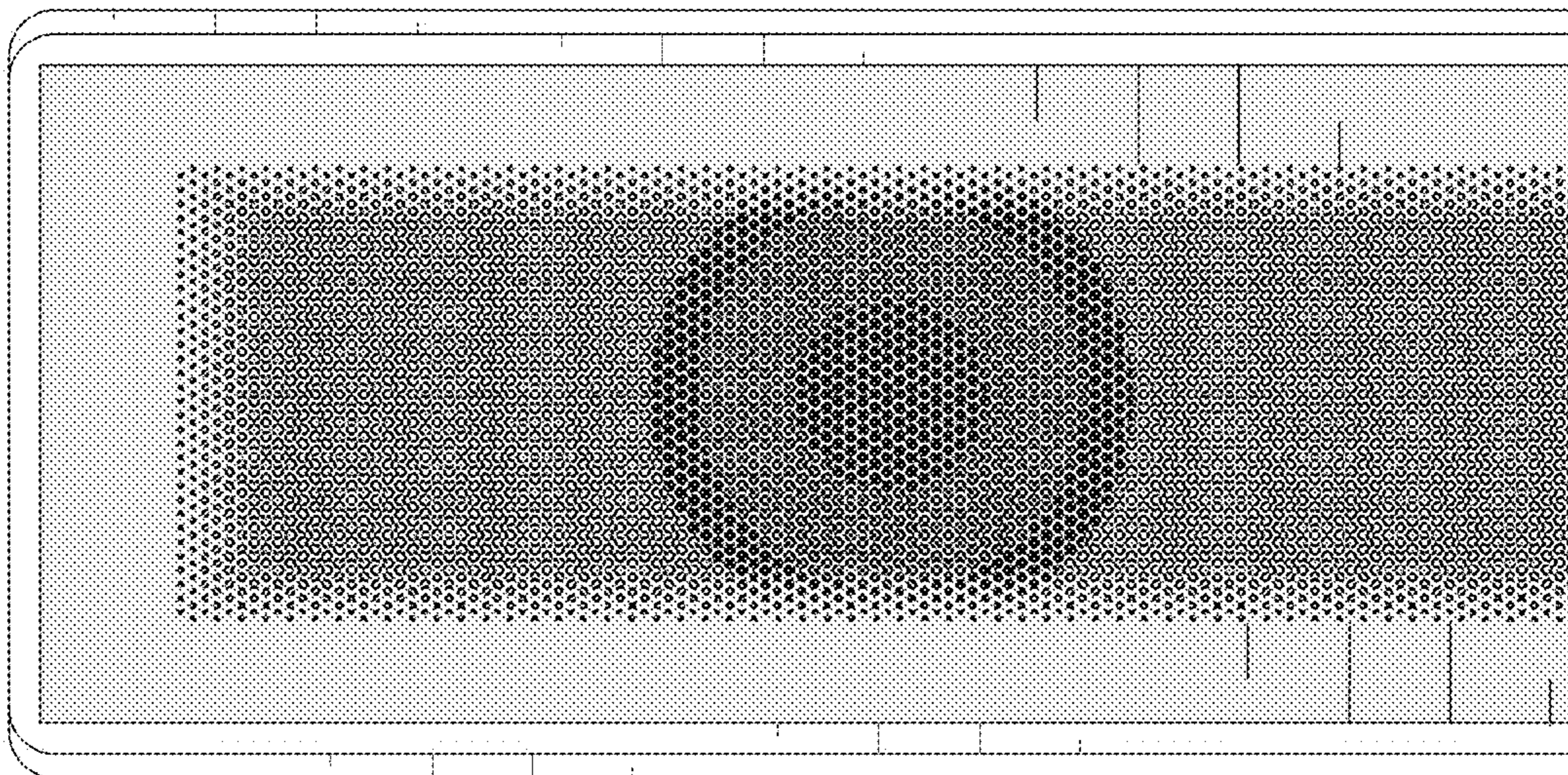




FIG. 10

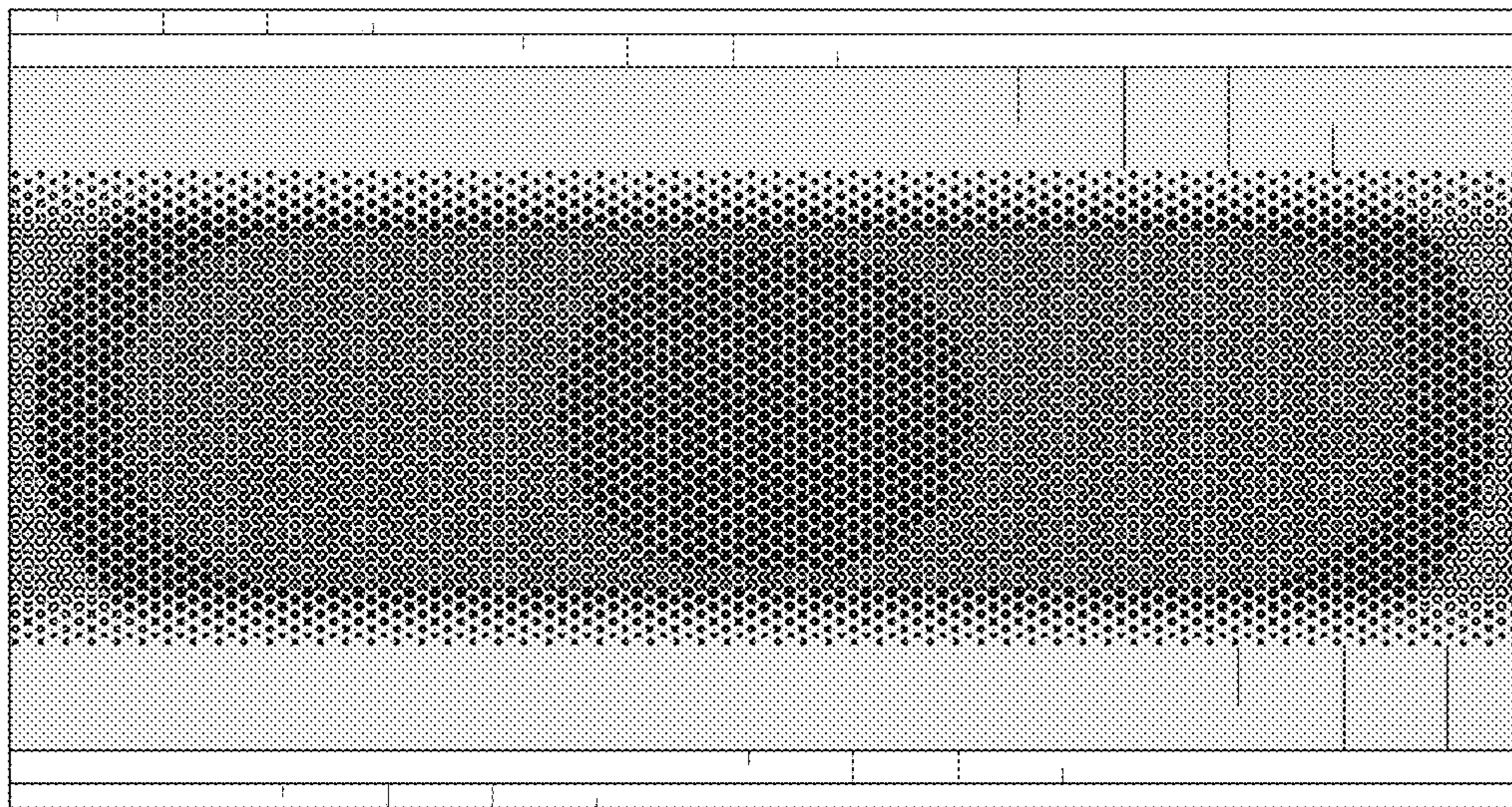




FIG. 11

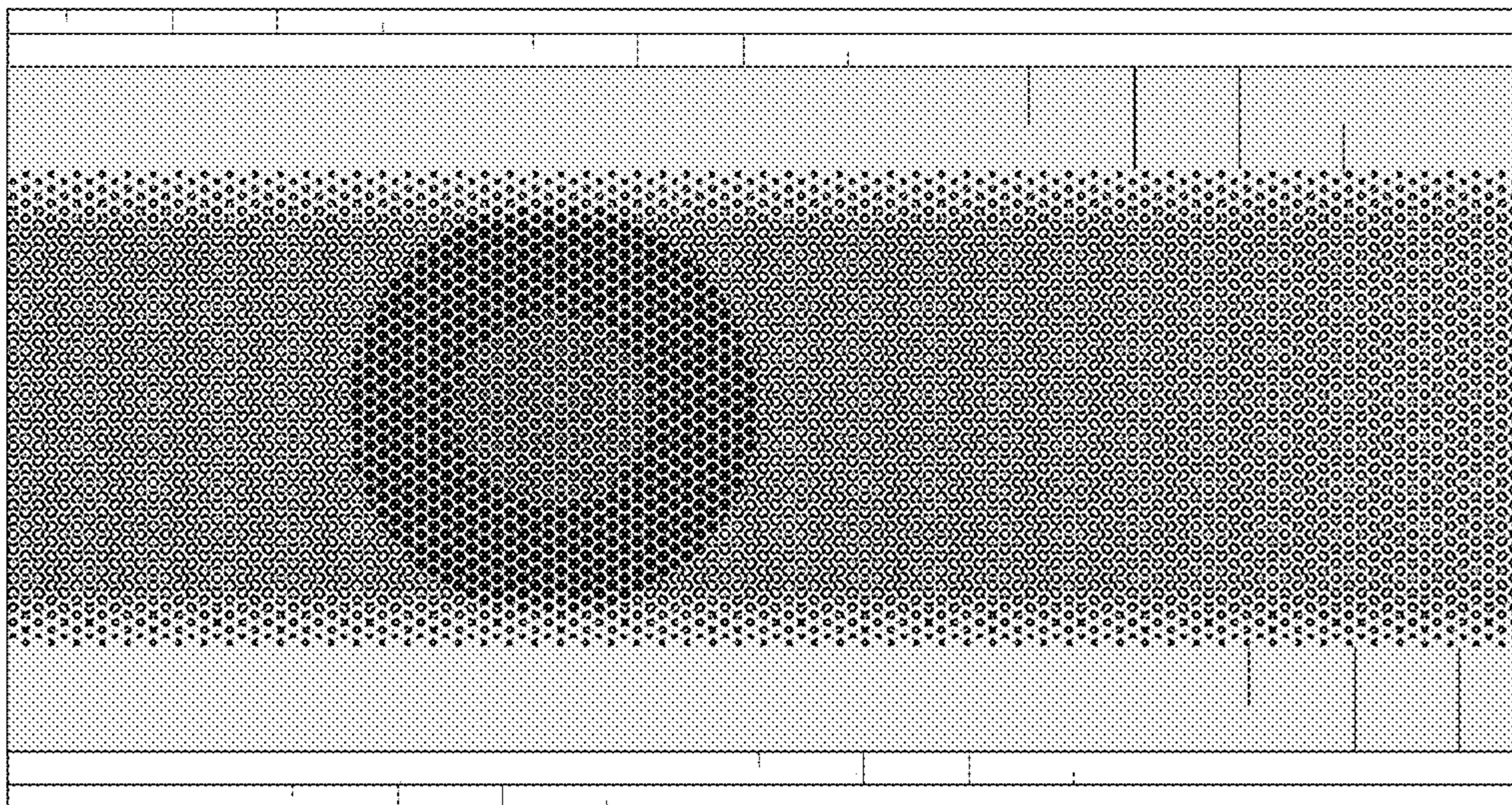




FIG. 12

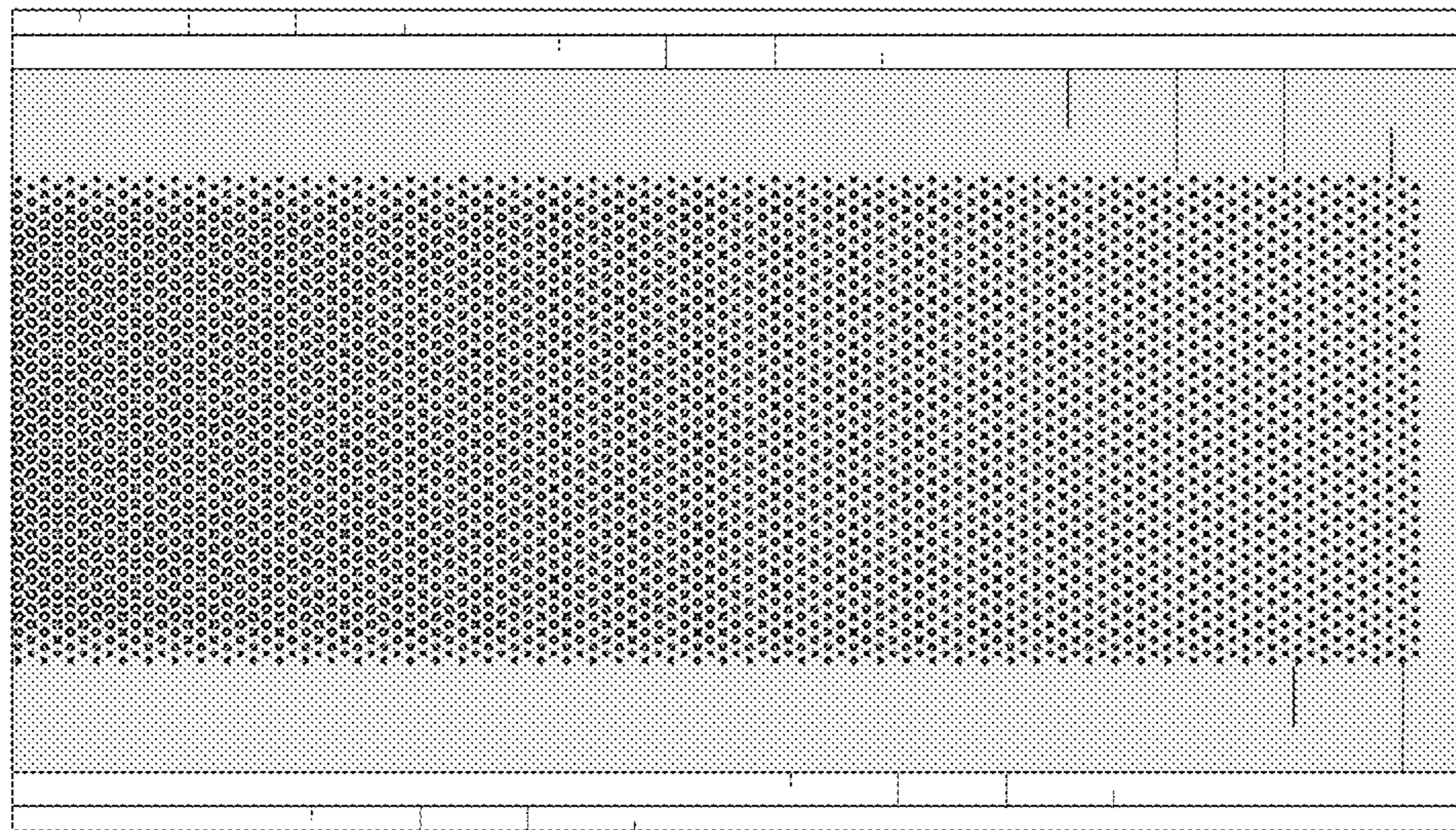


FIG. 13

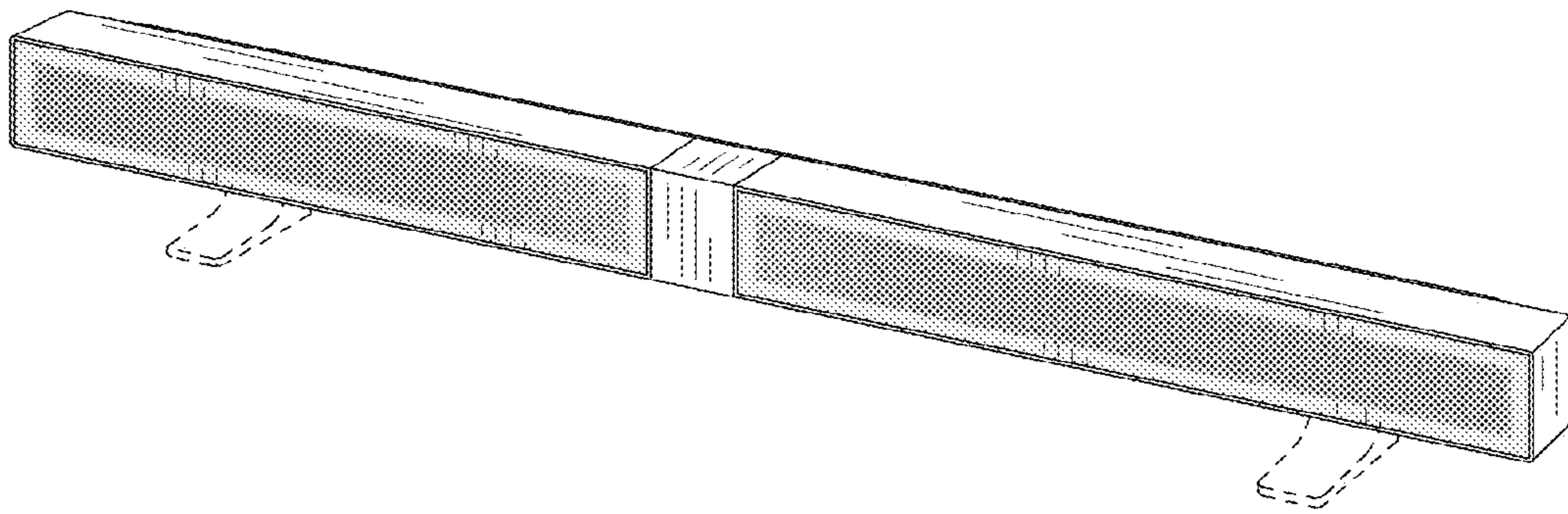


FIG. 14

