



US00D681604S

(12) **United States Design Patent**
Funayama

(10) **Patent No.:** **US D681,604 S**

(45) **Date of Patent:** **** May 7, 2013**

(54) **SPEAKER BOX WITH AMPLIFIER**

(75) Inventor: **Tatsufumi Funayama**, Kawasaki (JP)

(73) Assignee: **Pioneer Corporation**, Kawasaki-shi,
Kanagawa (JP)

(**) Term: **14 Years**

(21) Appl. No.: **29/400,259**

(22) Filed: **Aug. 25, 2011**

(30) **Foreign Application Priority Data**

Mar. 31, 2011 (JP) D2011-007419

(51) **LOC (9) Cl.** **14-01**

(52) **U.S. Cl.**
USPC **D14/209.1**

(58) **Field of Classification Search** D14/204,
D14/204.1, 210–216, 172; 181/143, 144,
181/147, 148, 150–153, 157, 198, 199;
381/300–306, 332, 333, 336, 345, 361–364
See application file for complete search history.

(56) **References Cited**

U.S. PATENT DOCUMENTS

5,546,468 A * 8/1996 Beard 381/86
D472,542 S * 4/2003 Oikawa D14/172
6,968,068 B1 * 11/2005 Amsel 381/334
7,689,197 B2 * 3/2010 Laude et al. 455/344

D618,214 S * 6/2010 Wang et al. D14/209.1
D620,921 S * 8/2010 Skurdal D14/209.1
D632,670 S * 2/2011 Chow D14/209.1
D636,378 S * 4/2011 Ohashi et al. D14/209.1
D642,156 S * 7/2011 Joseph D14/209.1
D645,156 S * 9/2011 Reitze D24/227
D645,446 S * 9/2011 Cheng et al. D14/209.1
8,180,095 B2 * 5/2012 Zhang 381/387

* cited by examiner

Primary Examiner — Prabhakar Deshmukh

(74) *Attorney, Agent, or Firm* — Drinker Biddle & Reath
LLP

(57) **CLAIM**

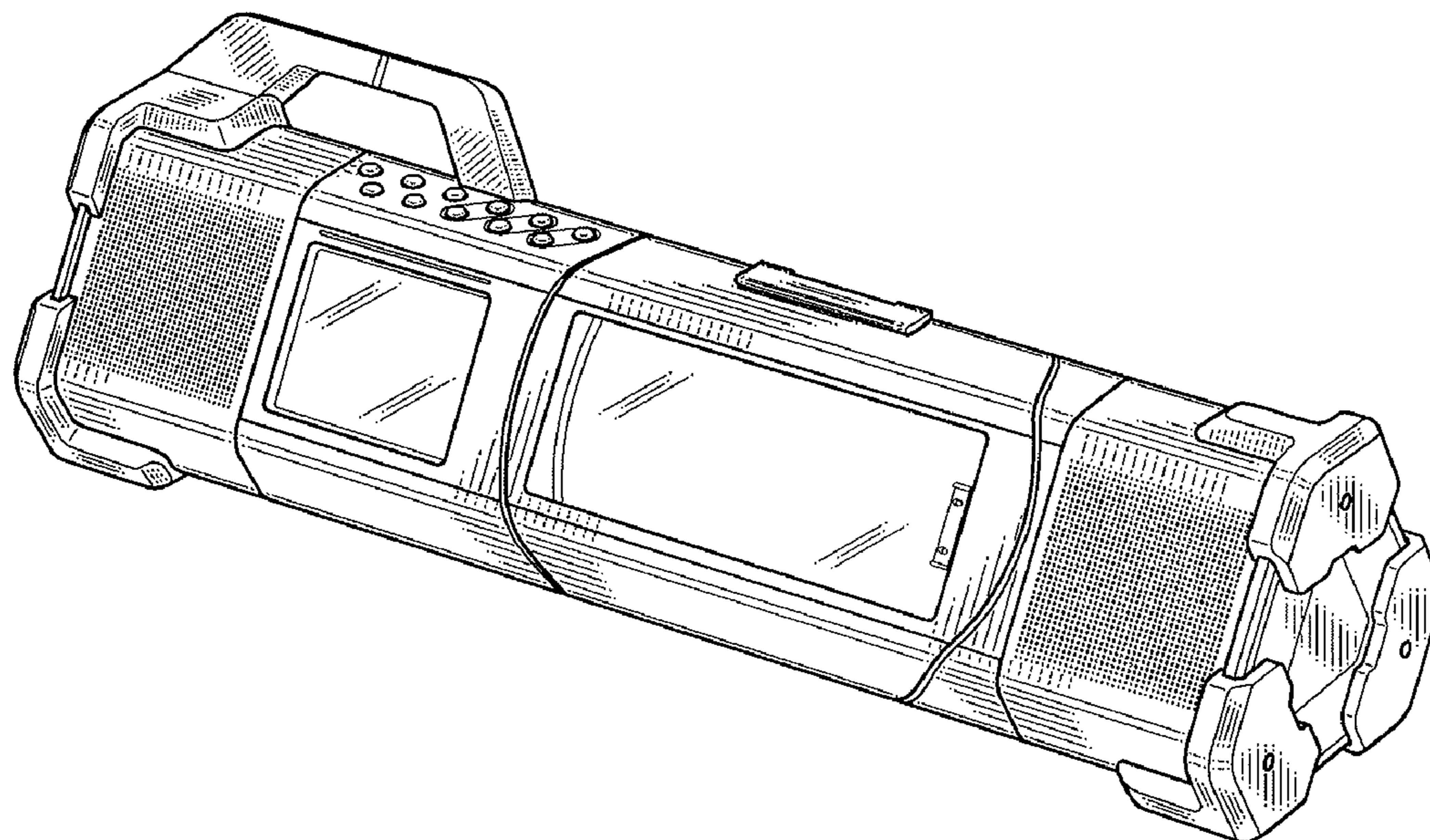
The ornamental design for a speaker box with amplifier, as
shown and described.

DESCRIPTION

FIG. 1 is a perspective view of the front, top and right side of
a speaker box with amplifier showing my new design;
FIG. 2 is a front view of thereof;
FIG. 3 is a rear view thereof;
FIG. 4 is a left side view thereof;
FIG. 5 is a right side view thereof;
FIG. 6 is a top plan view thereof;
FIG. 7 is a bottom view thereof; and,
FIG. 8 is a perspective view thereof, shown in its alternate
position of use.

The broken line showing of the electronic device is for the
purpose of illustrating environmental structure and forms no
part of the claimed design.

1 Claim, 4 Drawing Sheets



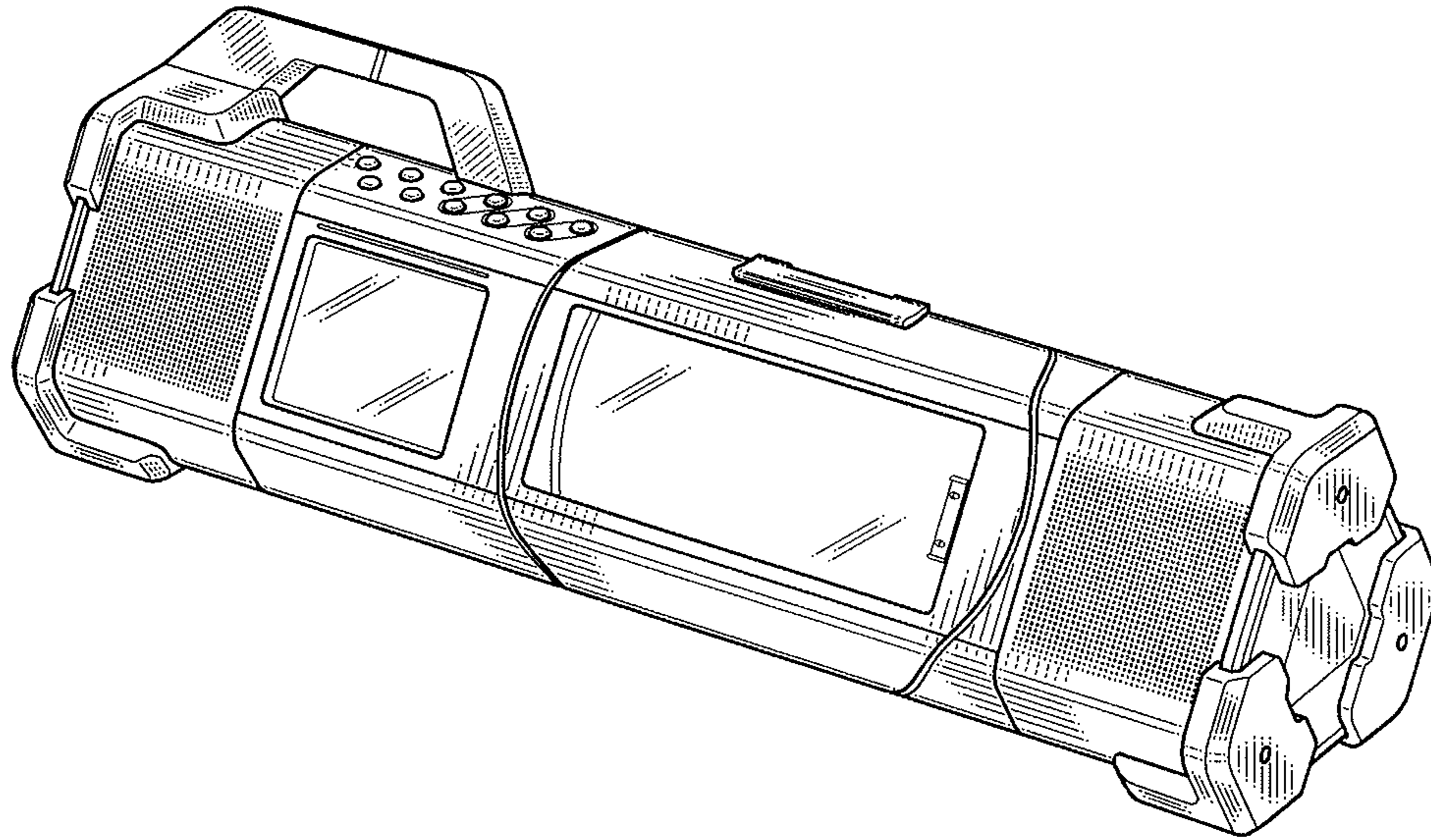


FIG. 1

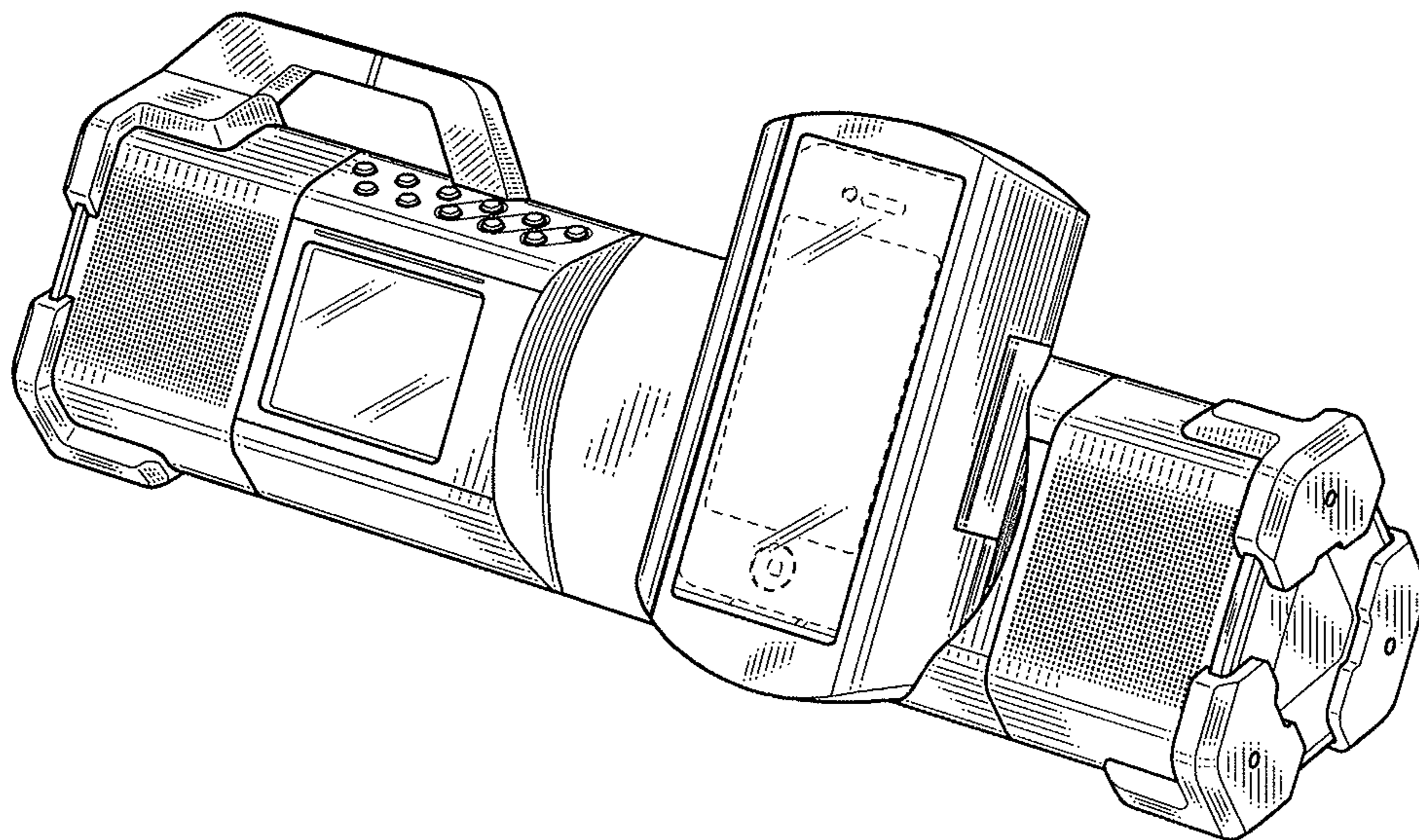


FIG. 8

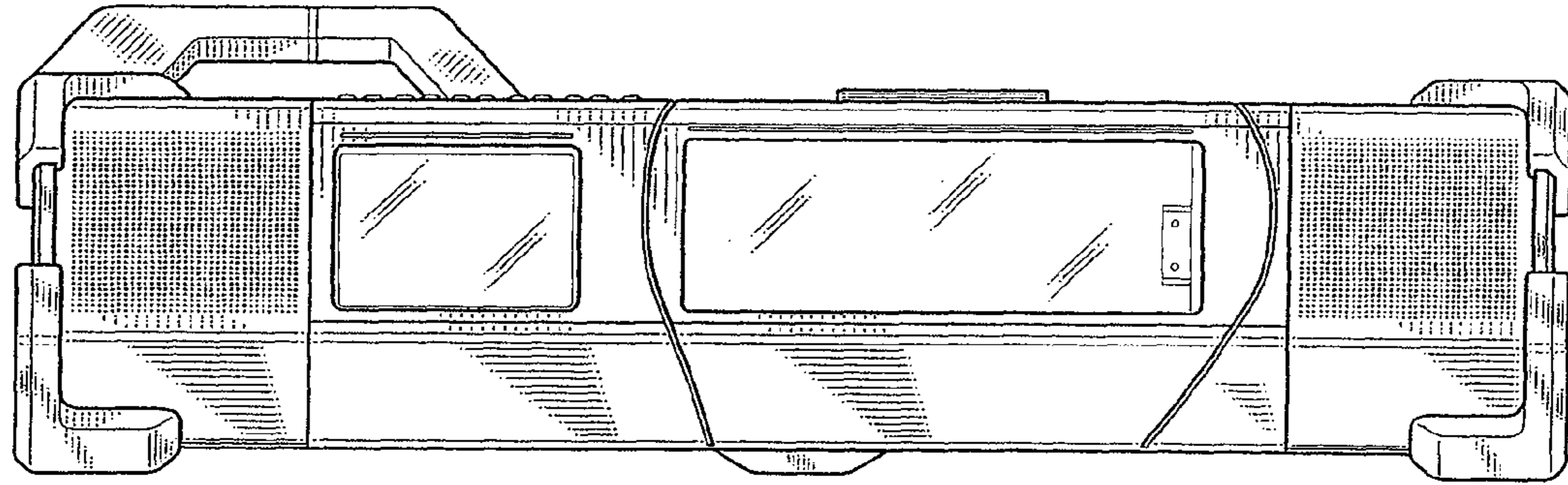


FIG. 2

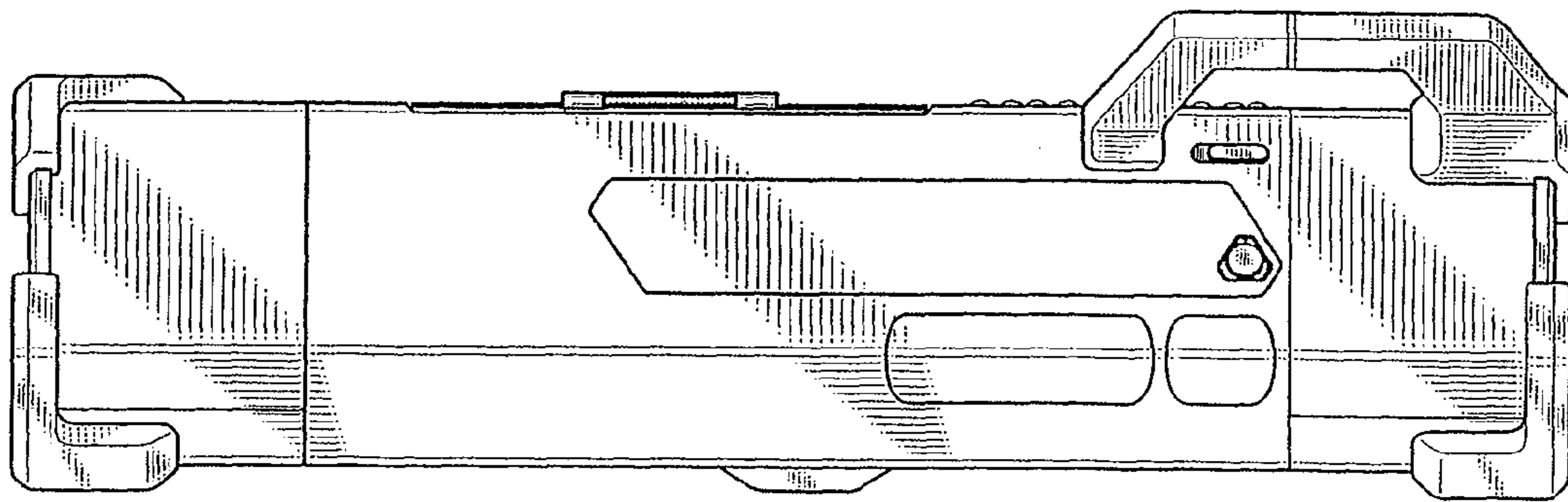


FIG. 3

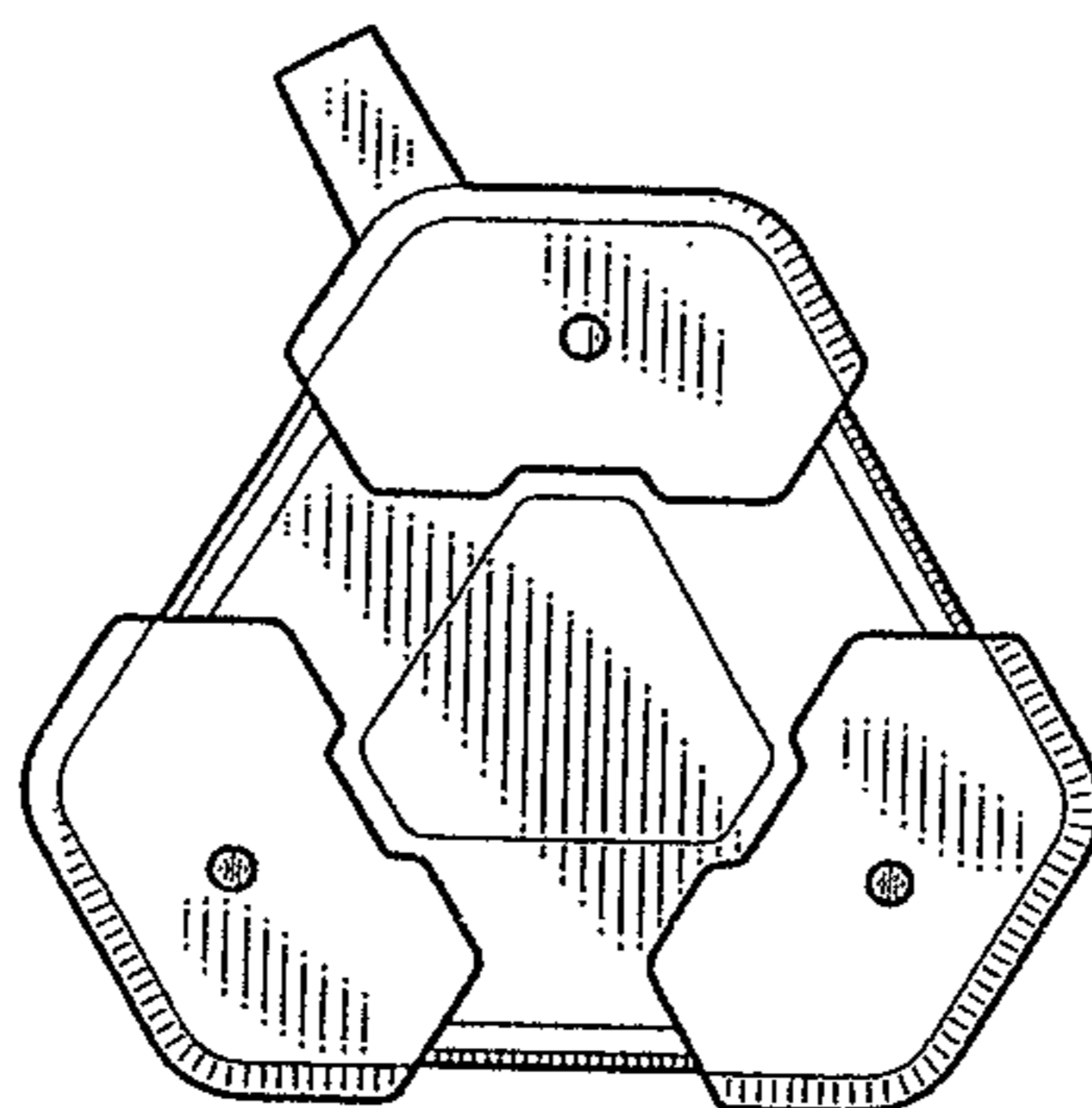


FIG. 4

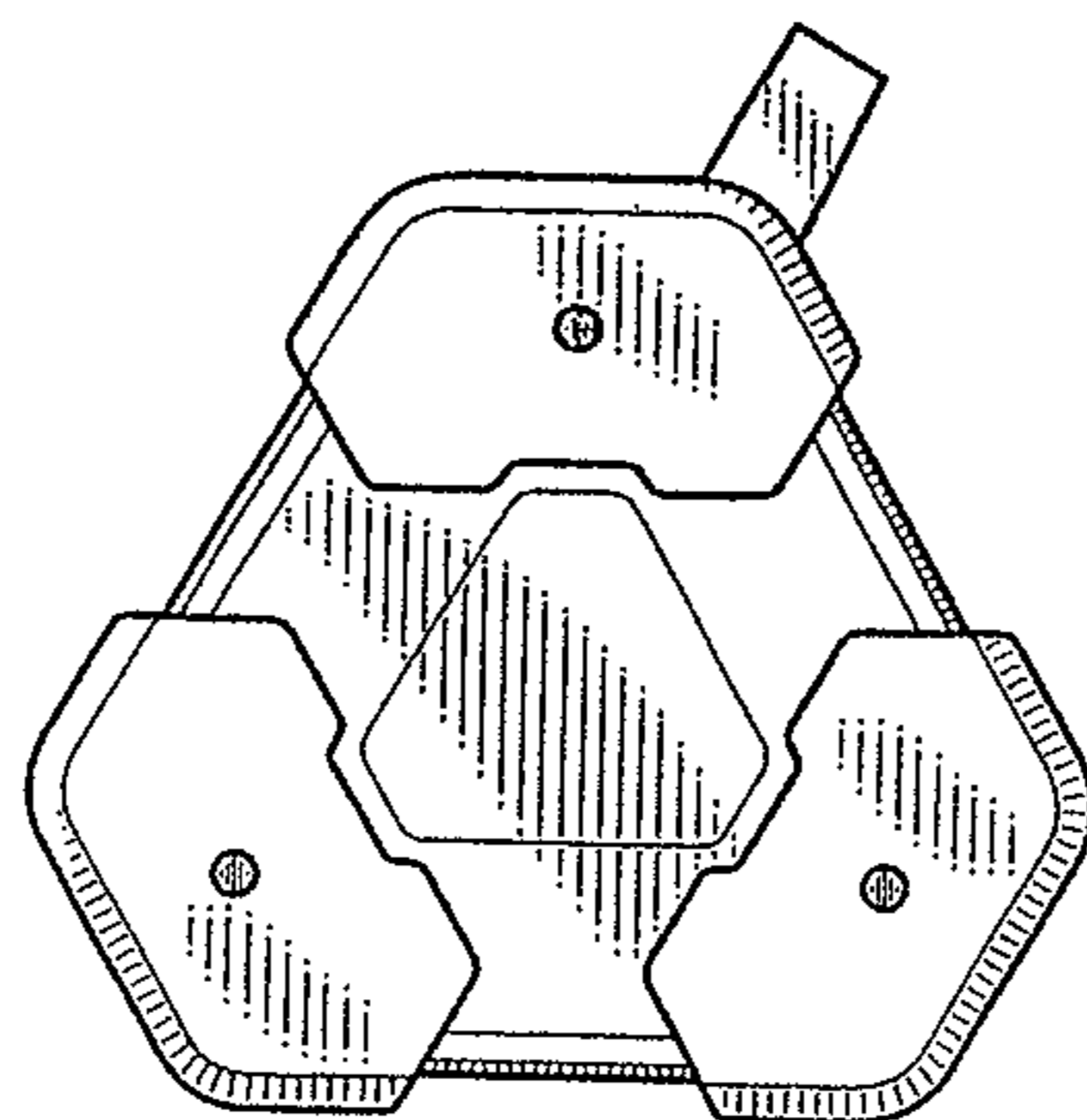


FIG. 5

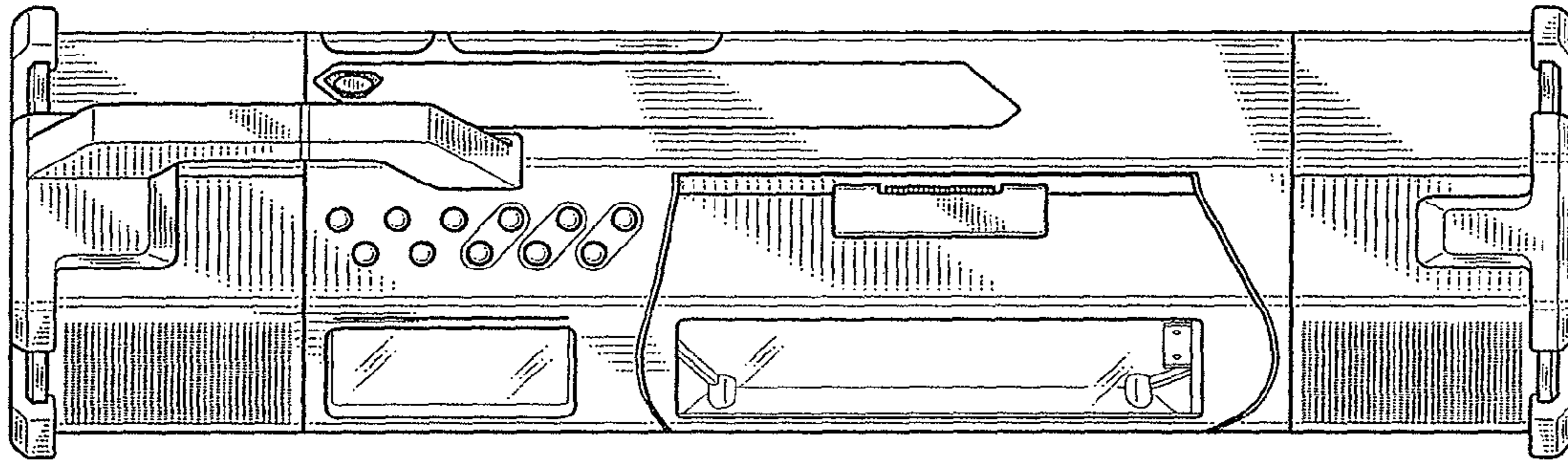


FIG. 6

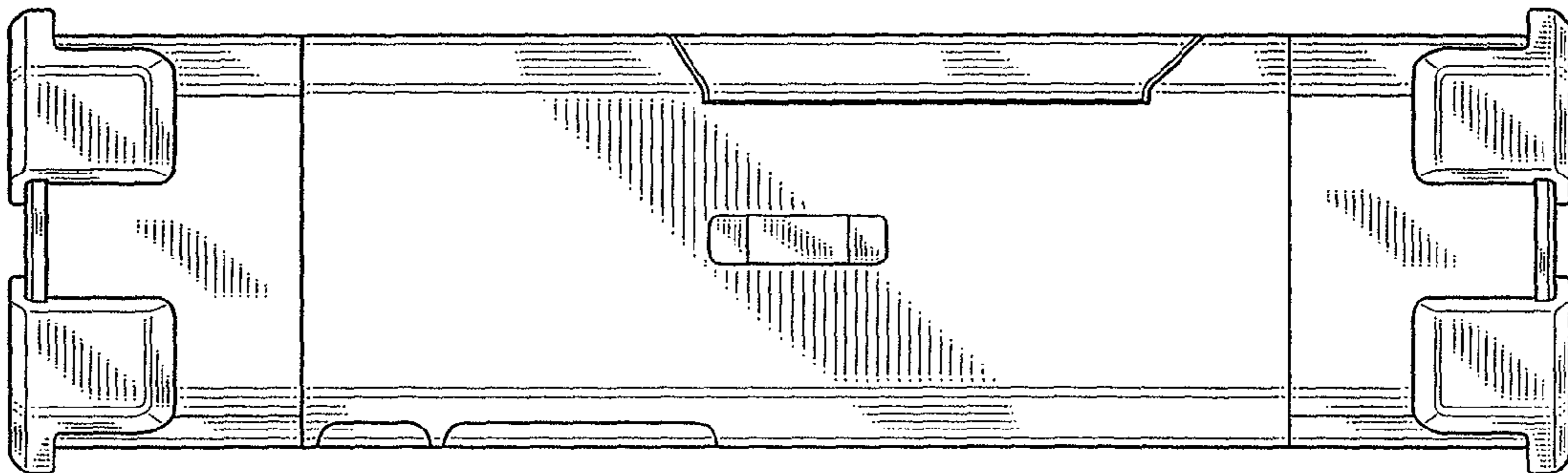


FIG. 7