

US00D681603S

(12) **United States Design Patent**
Kang

(10) **Patent No.:** **US D681,603 S**

(45) **Date of Patent:** **** May 7, 2013**

(54) **MOBILE TERMINAL SPEAKER**

(75) Inventor: **Ji-Eun Kang**, Anyang-si (KR)

(73) Assignee: **Samsung Electronics Co., Ltd.** (KR)

(**) Term: **14 Years**

(21) Appl. No.: **29/398,071**

(22) Filed: **Jul. 26, 2011**

(30) **Foreign Application Priority Data**

Apr. 22, 2011 (KR) 30-2011-0016579

(51) **LOC (9) Cl.** **14-01**

(52) **U.S. Cl.**
USPC **D14/209.1**

(58) **Field of Classification Search** D14/204,
D14/221, 238.1, 209.1, 210–217, 147, 168,
D14/172, 496, 203.1; 181/147, 148, 150–153,
181/157, 198, 199; 381/334, 386, 345, 388,
381/395; 361/679.01, 679.02, 679.27; 379/428.01,
379/433.08, 387.01, 433.12, 433.13, 430;
455/575.1, 90.3, 556.1, 565, 74, 75
See application file for complete search history.

(56) **References Cited**

U.S. PATENT DOCUMENTS

7,536,207 B2 * 5/2009 Son 455/569.1
7,610,069 B2 * 10/2009 Kwak et al. 455/575.4
D608,343 S * 1/2010 Skurdal D14/209.1
D619,118 S * 7/2010 Joseph D14/209.1
7,756,286 B2 * 7/2010 Kim 381/388

D620,922 S * 8/2010 Skurdal D14/209.1
D632,670 S * 2/2011 Chow D14/209.1
D633,080 S * 2/2011 Wakabayashi D14/209.1
7,953,461 B2 * 5/2011 Fukazawa 455/575.1
D645,847 S * 9/2011 Chau D14/217
8,060,160 B2 * 11/2011 Shin 455/575.4
8,160,289 B2 * 4/2012 Park 381/386
8,208,977 B2 * 6/2012 Kim et al. 455/575.1

* cited by examiner

Primary Examiner — Prabhakar Deshmukh

(74) *Attorney, Agent, or Firm* — NSIP Law

(57) **CLAIM**

The ornamental design for a mobile terminal speaker, as shown and described.

DESCRIPTION

FIG. 1 is a perspective view of a mobile terminal speaker;
FIG. 2 is a front view of the mobile terminal speaker of FIG. 1;
FIG. 3 is a rear view of the mobile terminal speaker of FIG. 1;
FIG. 4 is a left-side view of the mobile terminal speaker of FIG. 1;
FIG. 5 is a right-side view of the mobile terminal speaker of FIG. 1;
FIG. 6 is a top plan view of the mobile terminal speaker of FIG. 1; and,
FIG. 7 is a bottom plan view of the mobile terminal speaker of FIG. 1.

Features shown in broken lines in FIGS. 3 and 6, form no part of the claimed design.

1 Claim, 4 Drawing Sheets

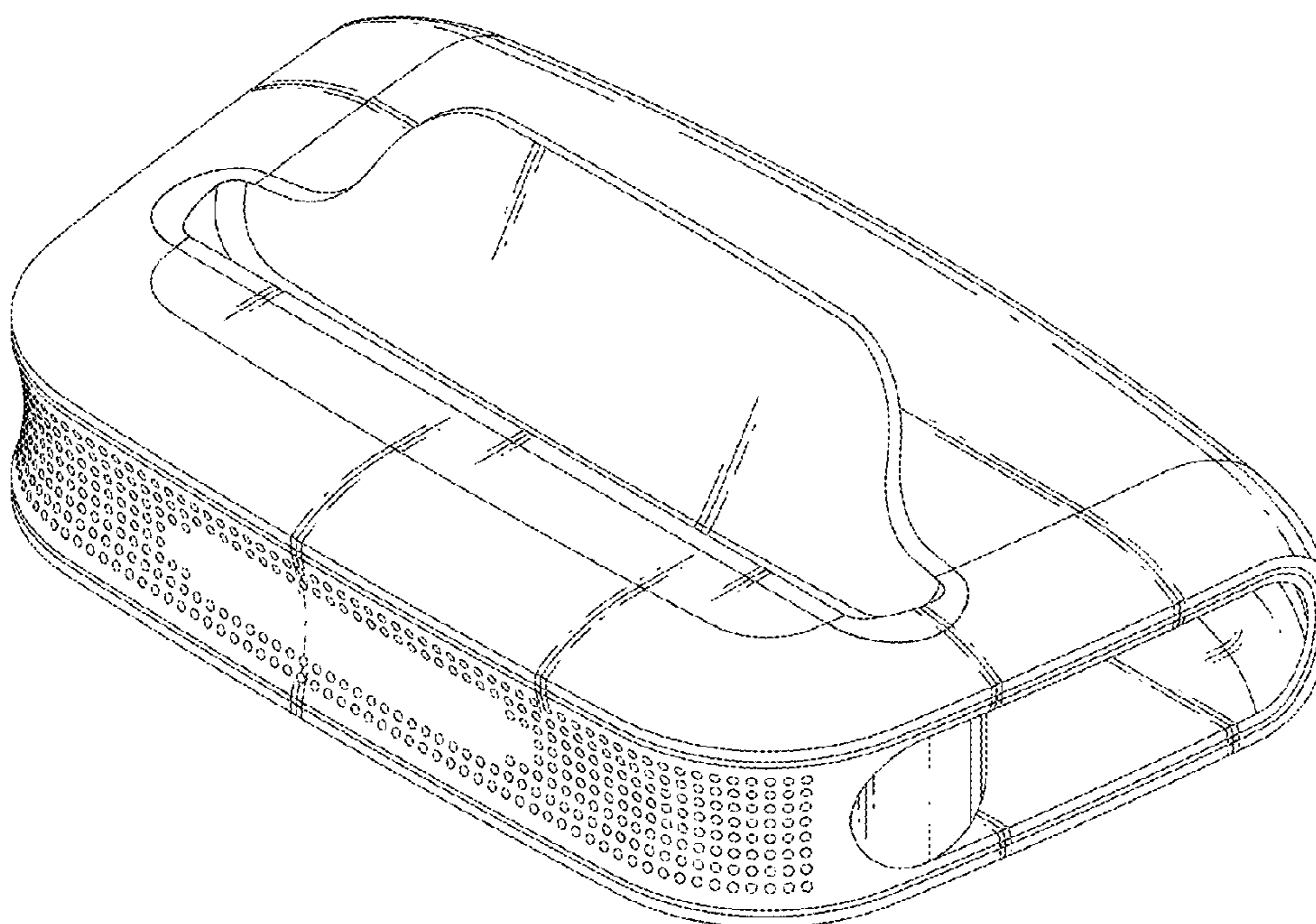


FIG. 1

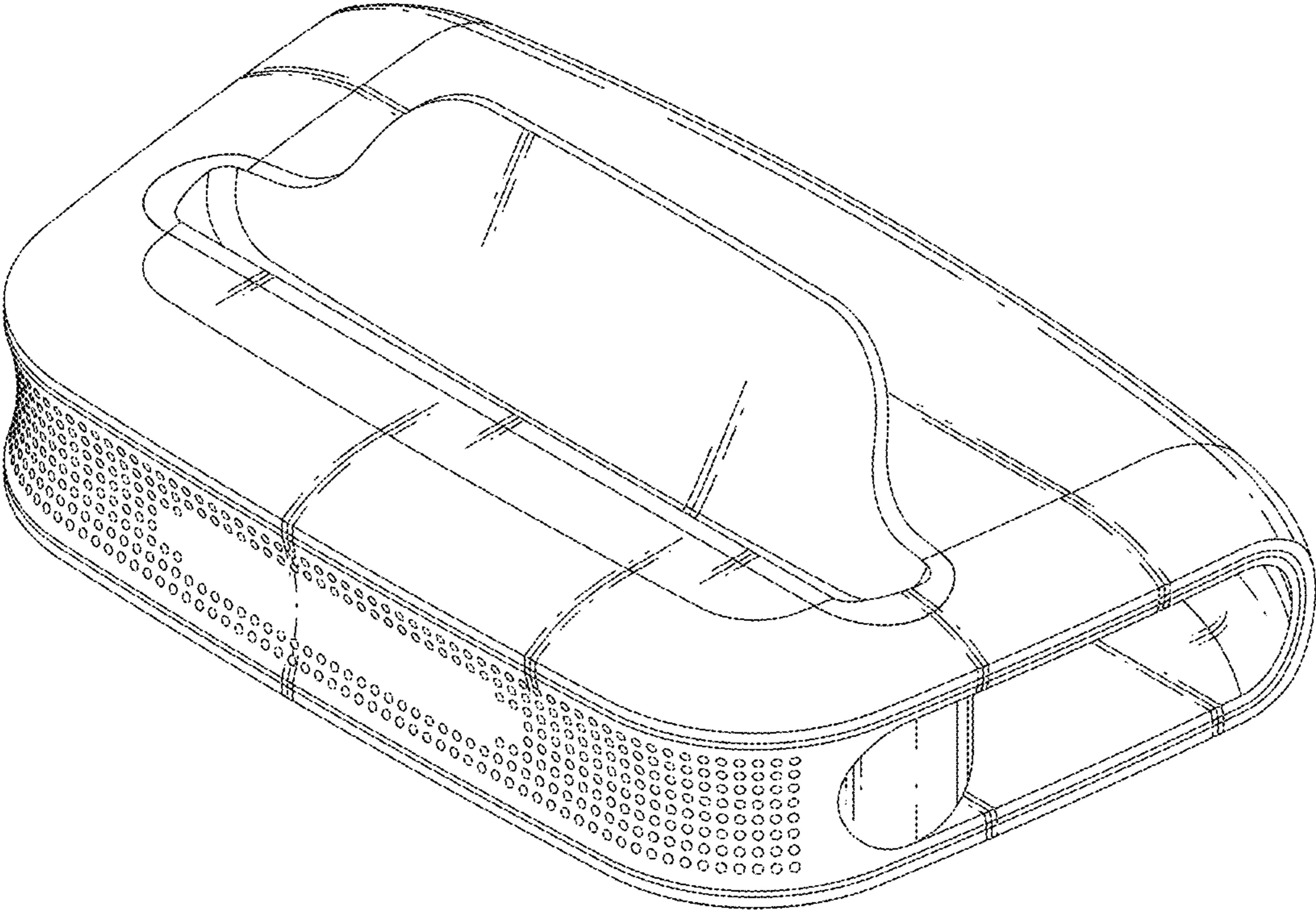


FIG. 2

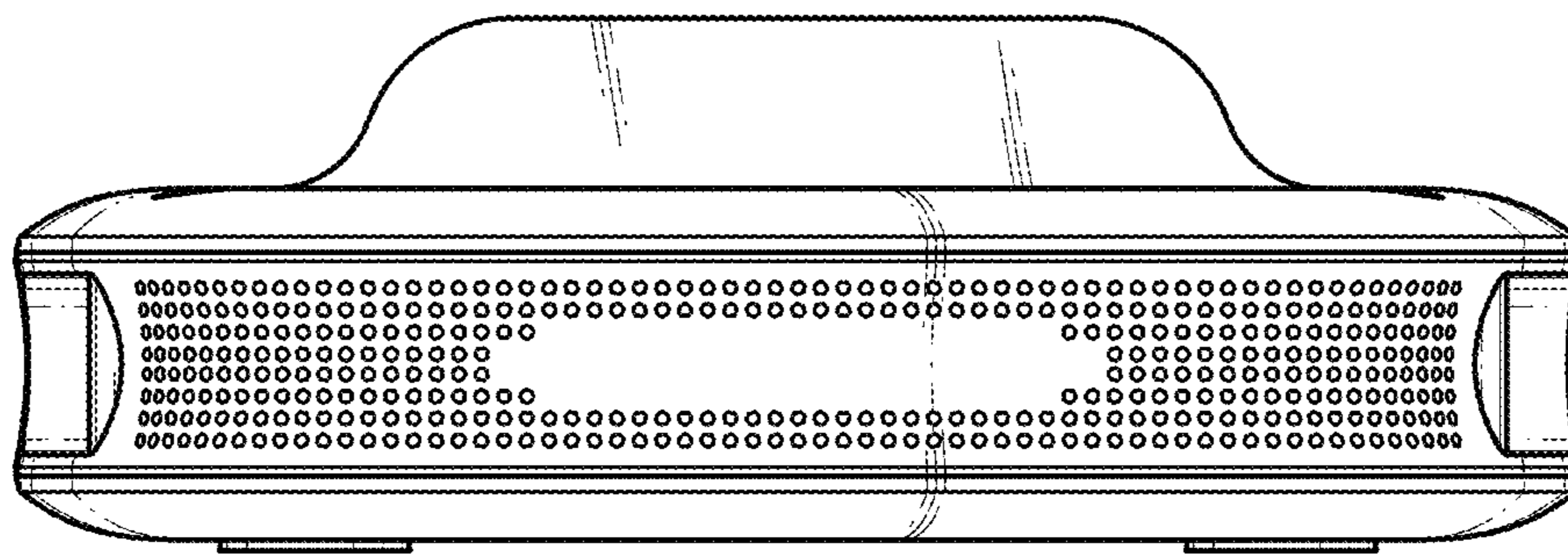


FIG. 3

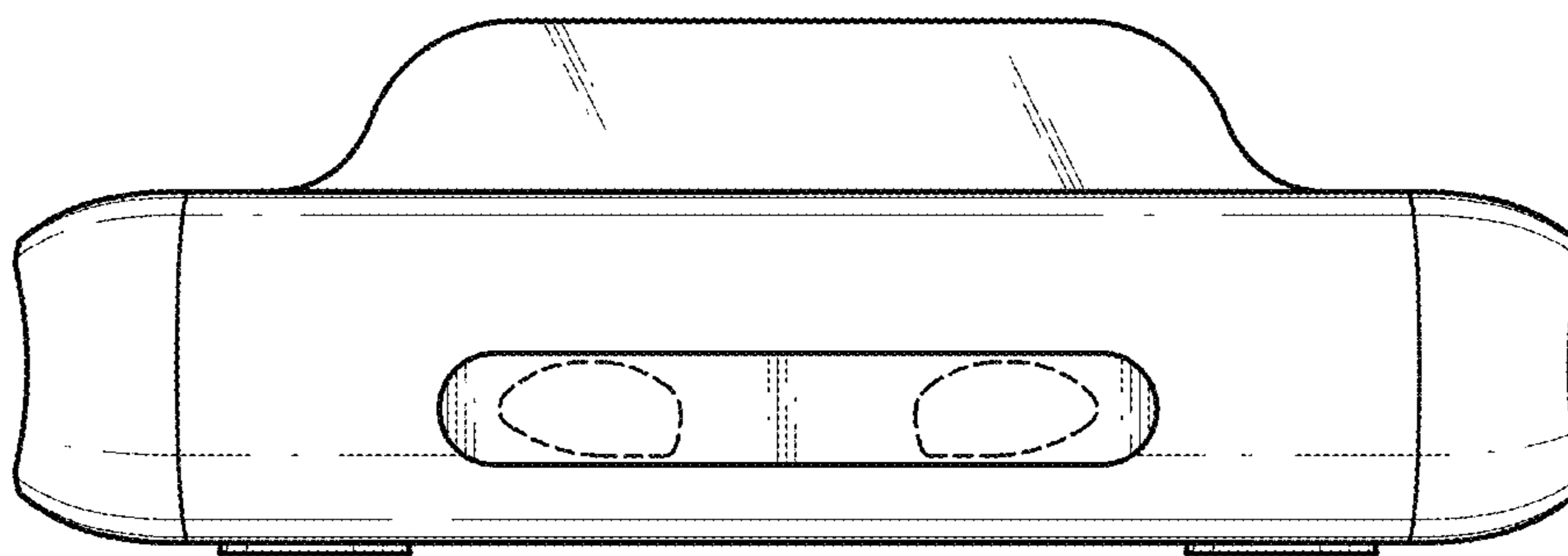


FIG. 4

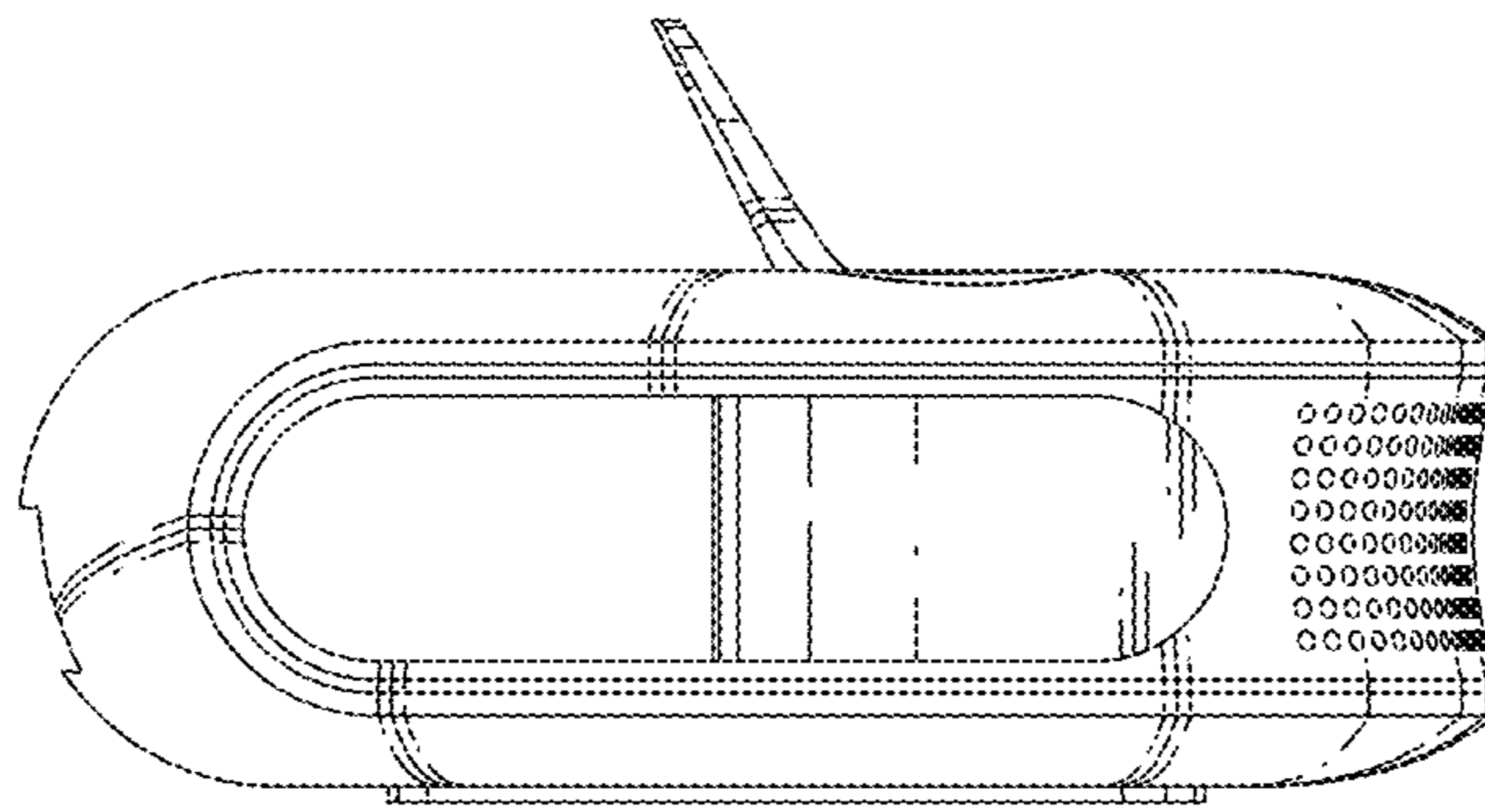


FIG. 5

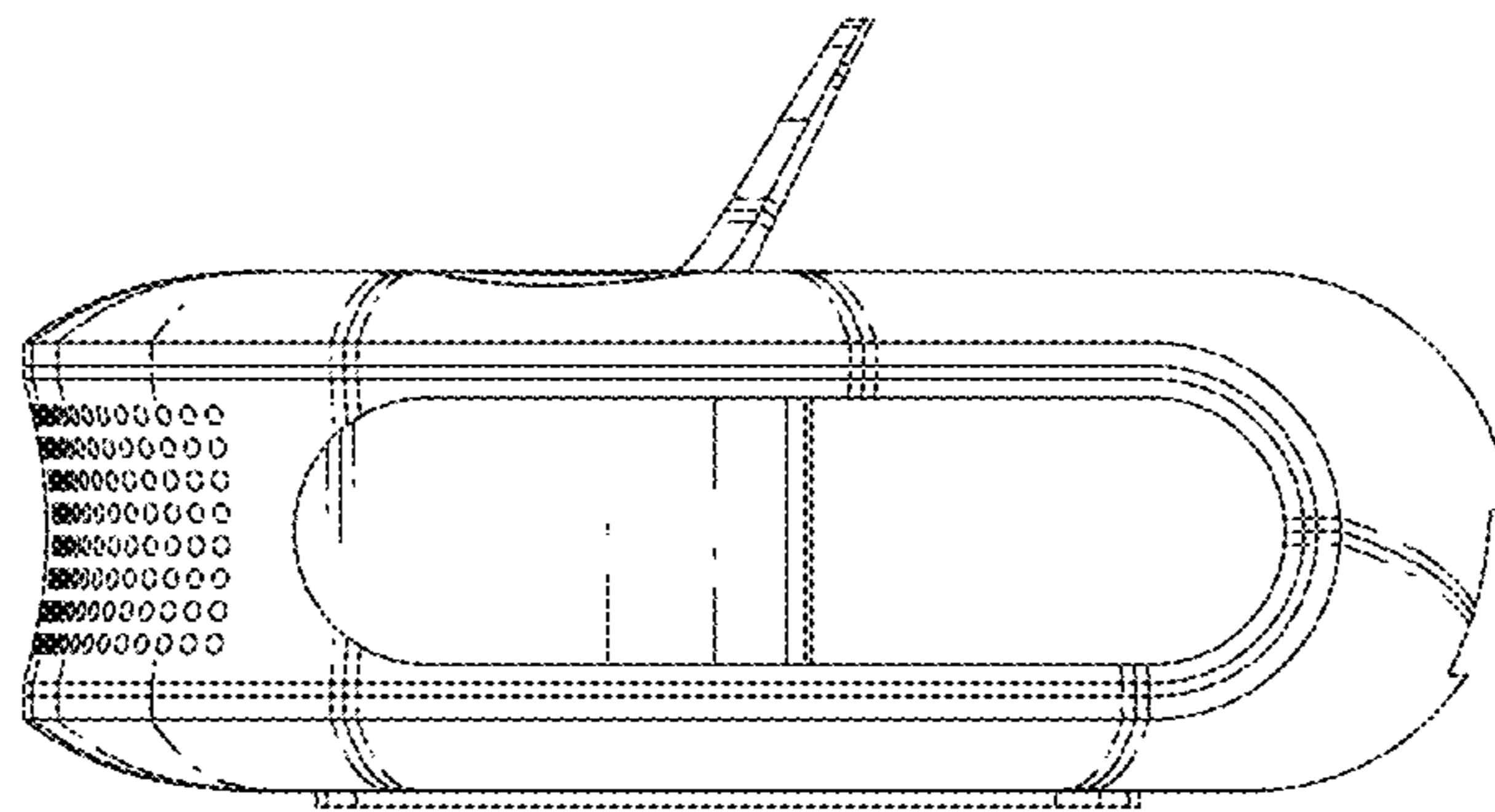


FIG. 6

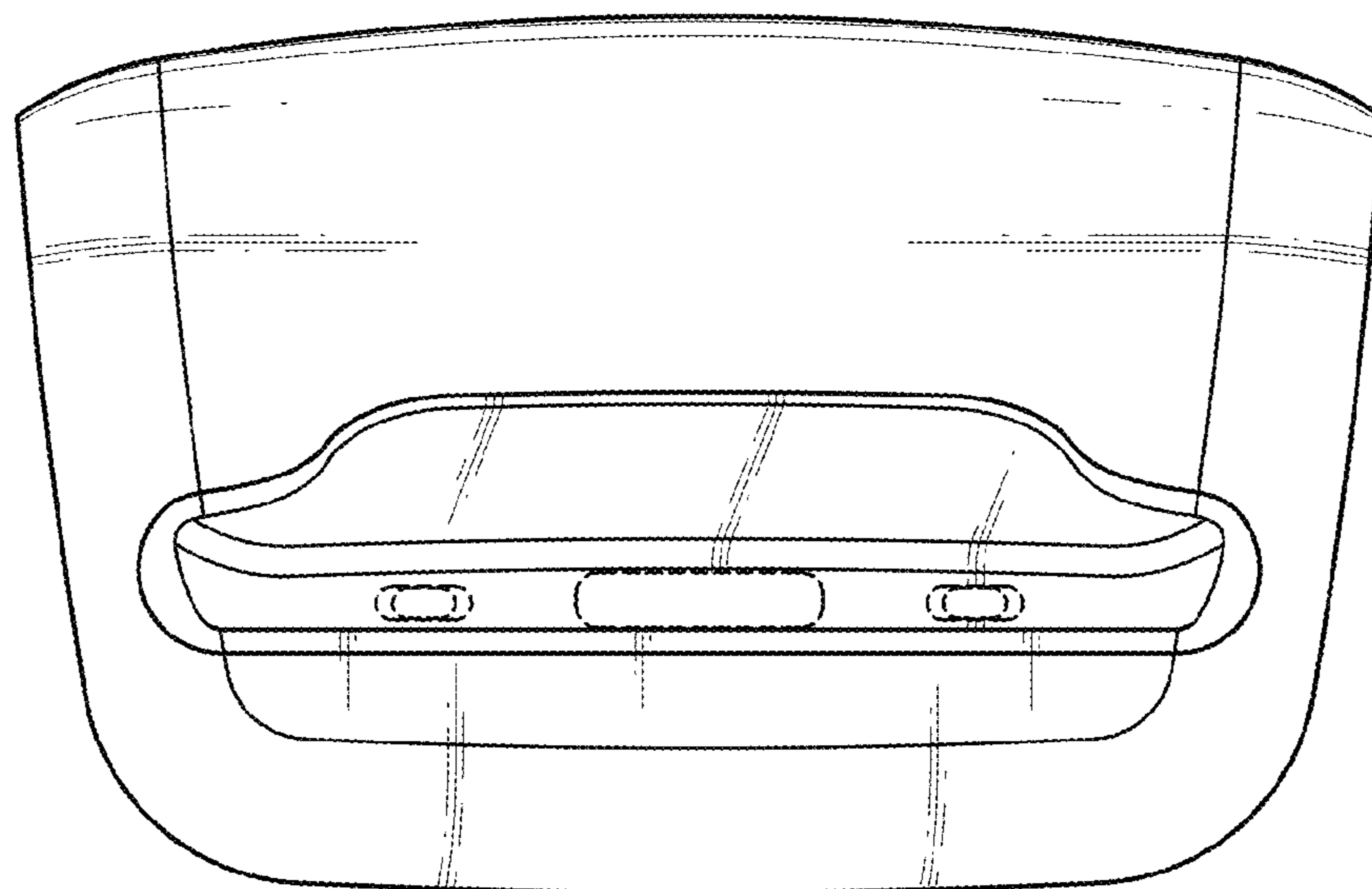


FIG. 7

