



US00D681601S

(12) **United States Design Patent**
Gebski

(10) **Patent No.:** **US D681,601 S**

(45) **Date of Patent:** **** May 7, 2013**

(54) **BABY UNIT FOR BABYPHONE**

(75) Inventor: **Edouard Gebski**, Amersfoort (NL)

(73) Assignee: **Koninklijke Philips Electronics N.V.**,
Eindhoven (NL)

(**) Term: **14 Years**

(21) Appl. No.: **29/409,335**

(22) Filed: **Dec. 22, 2011**

(30) **Foreign Application Priority Data**

Jun. 28, 2011 (EM) 001883869-0002

(51) **LOC (9) Cl.** **14-03**

(52) **U.S. Cl.**
USPC **D14/159**

(58) **Field of Classification Search** D14/167,
D14/154, 168, 188, 496, 156, 160, 161, 162,
D14/163, 164, 165, 158, 253, 192, 159, 155,
D14/138 AB, 137, 104.1; 455/351, 350,
455/353; D10/104, 106, 65, 78; 340/573.4,
340/573.1

See application file for complete search history.

(56) **References Cited**

U.S. PATENT DOCUMENTS

D429,175 S * 8/2000 Ha D10/104.1
D455,165 S * 4/2002 Tsang et al. D16/202

D510,926 S * 10/2005 Jerome D14/500
D511,181 S * 11/2005 Huang et al. D16/202
D537,095 S * 2/2007 Alden et al. D16/219
D539,251 S * 3/2007 Heath D14/137
D557,310 S * 12/2007 Fisher et al. D16/219
D563,446 S * 3/2008 Stephens et al. D16/202
D593,071 S * 5/2009 Laituri et al. D14/216
D599,820 S * 9/2009 Su et al. D14/496
D616,415 S * 5/2010 Lum et al. D14/188
D626,939 S * 11/2010 Chen D14/216
D626,983 S * 11/2010 Serge et al. D16/202
D637,173 S * 5/2011 Elkerbout D14/159
D647,502 S * 10/2011 Holzer D14/171
D666,575 S * 9/2012 Marsh D14/159

* cited by examiner

Primary Examiner — Austin Murphy

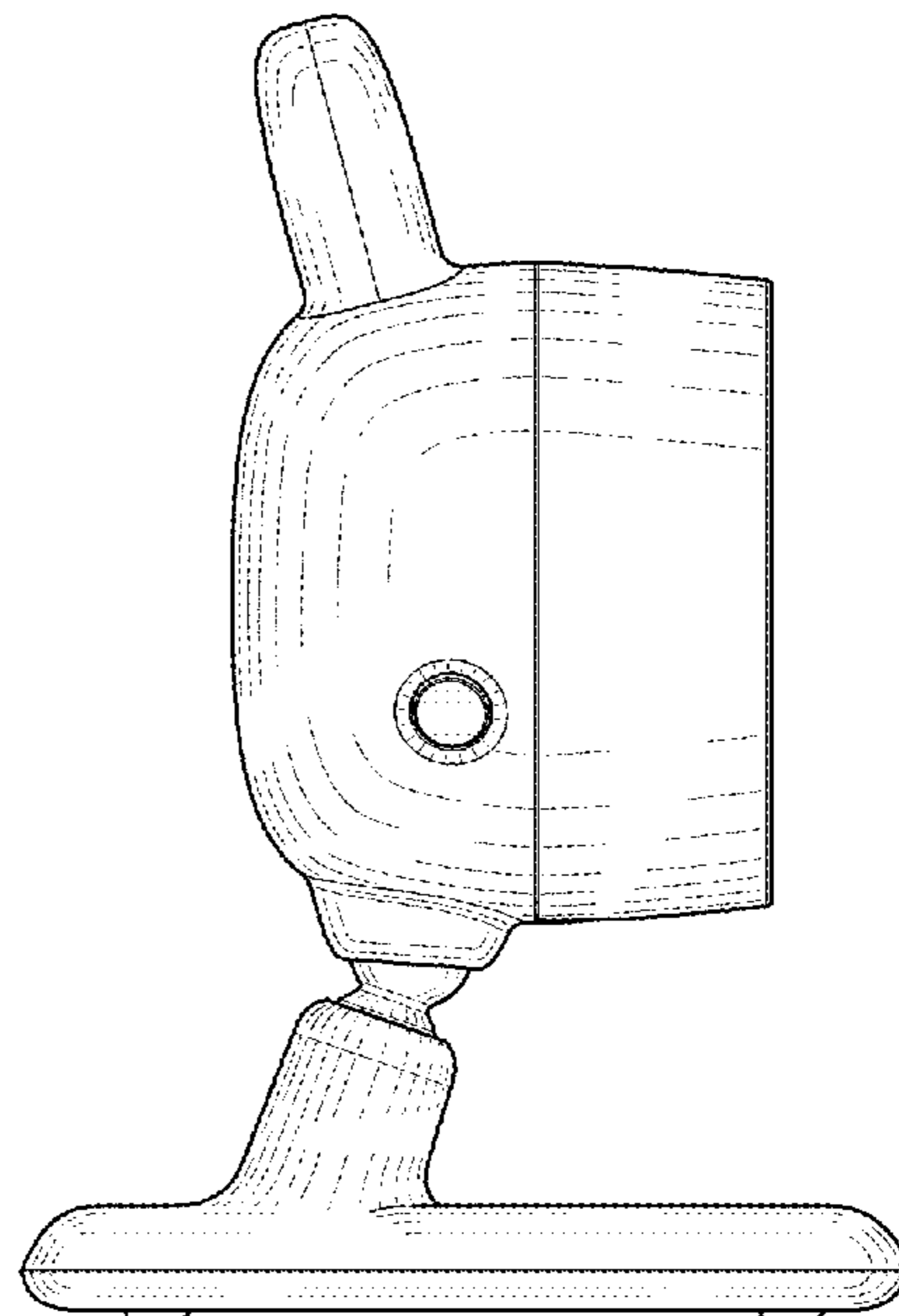
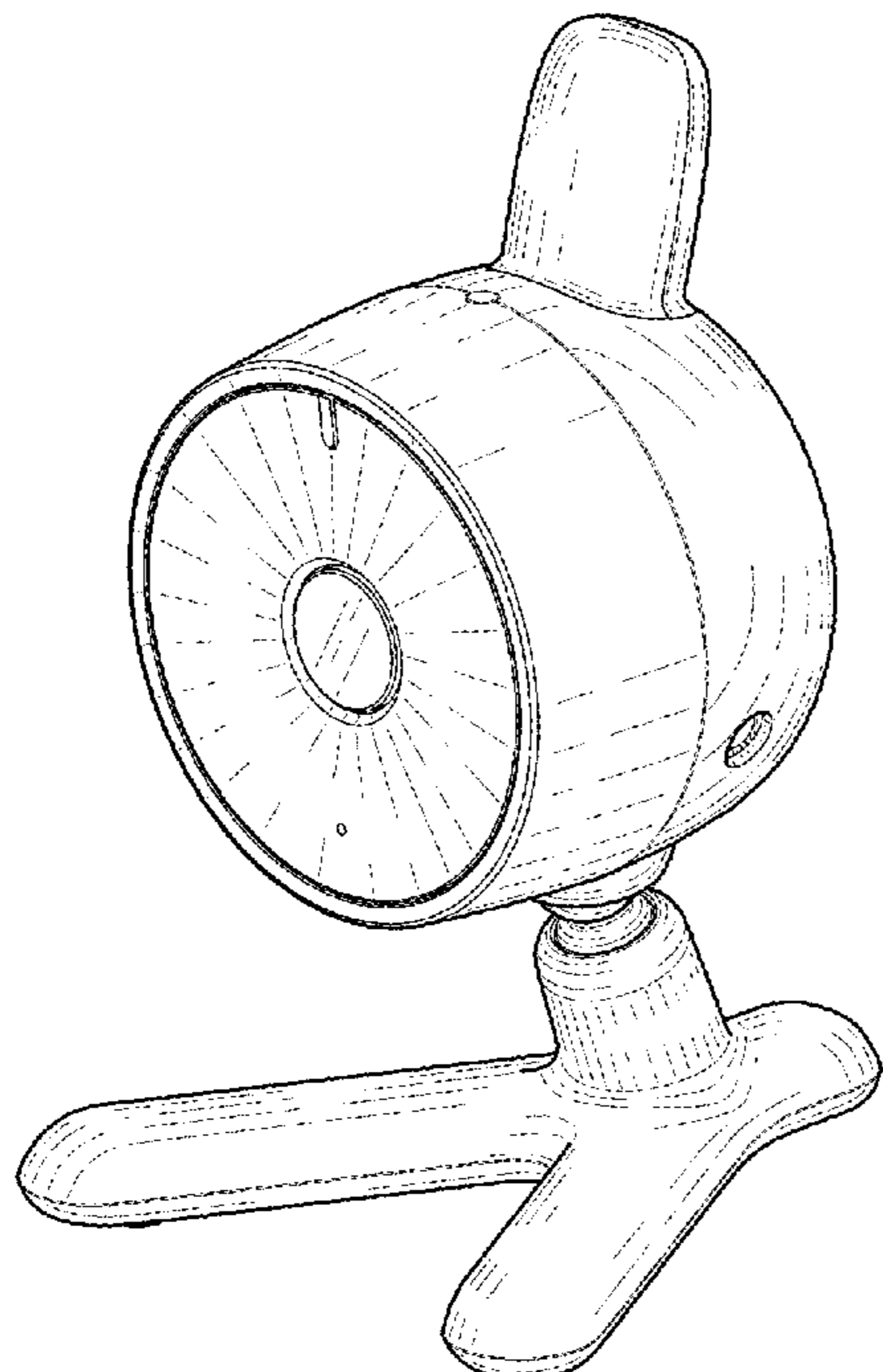
(57) **CLAIM**

The ornamental design for a baby unit for babyphone, as shown.

DESCRIPTION

FIG. 1 is a perspective view showing my design;
FIG. 2 is a front elevational view thereof;
FIG. 3 is a rear elevational view thereof;
FIG. 4 is a right side elevational view thereof;
FIG. 5 is a left side elevational view thereof;
FIG. 6 is a top plan view thereof; and,
FIG. 7 is a bottom plan view thereof.

1 Claim, 4 Drawing Sheets



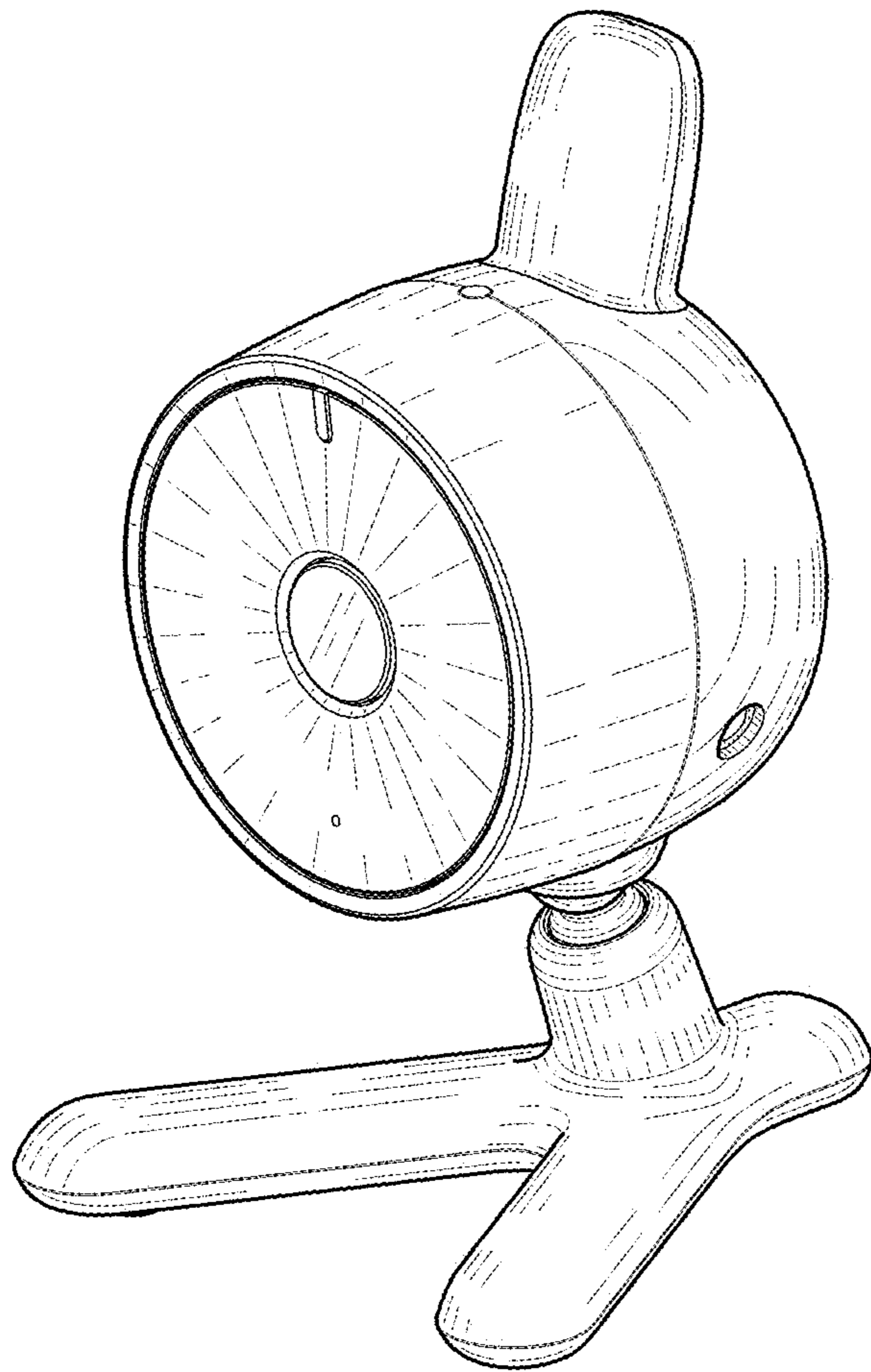


FIG. 1

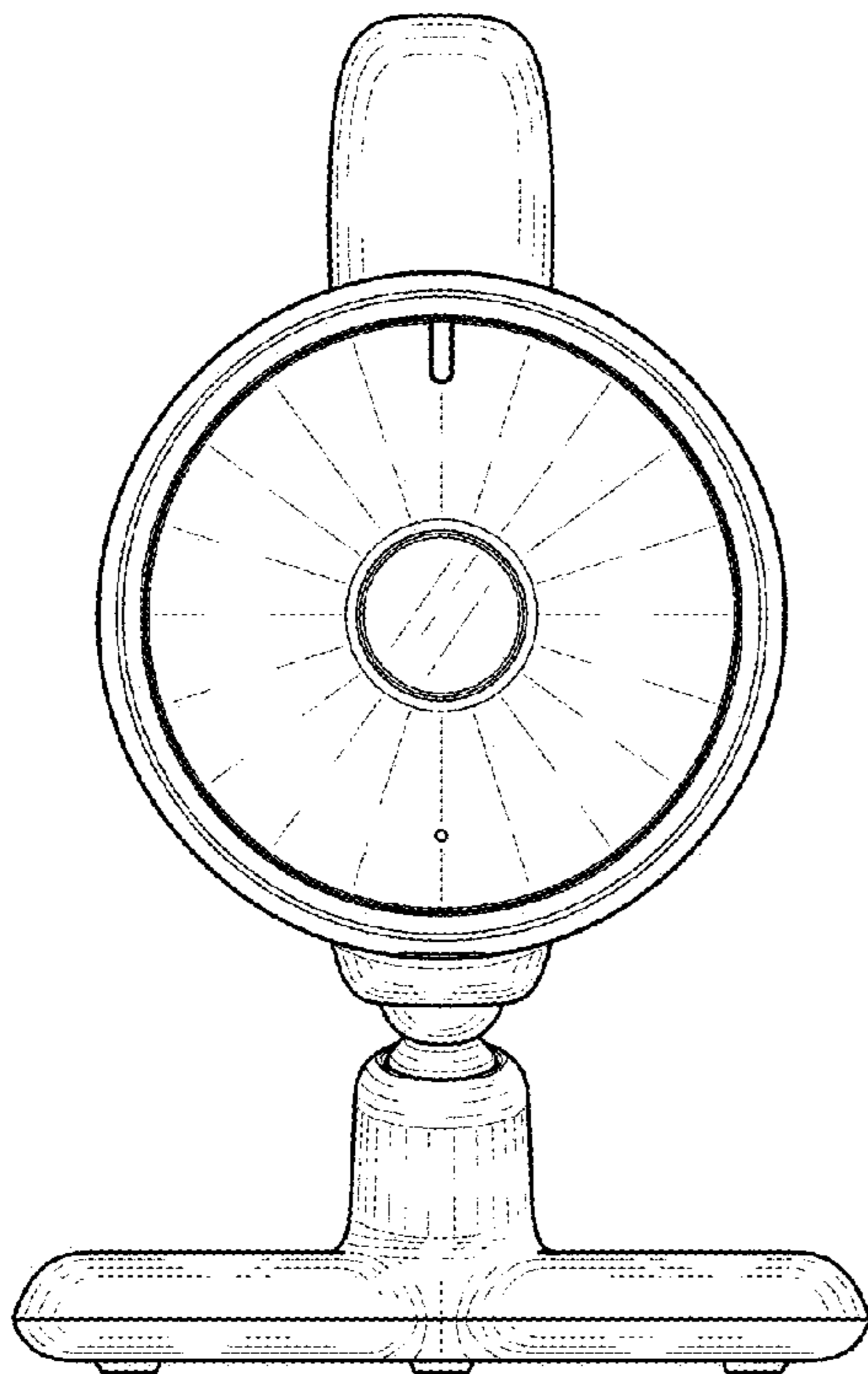


FIG. 2

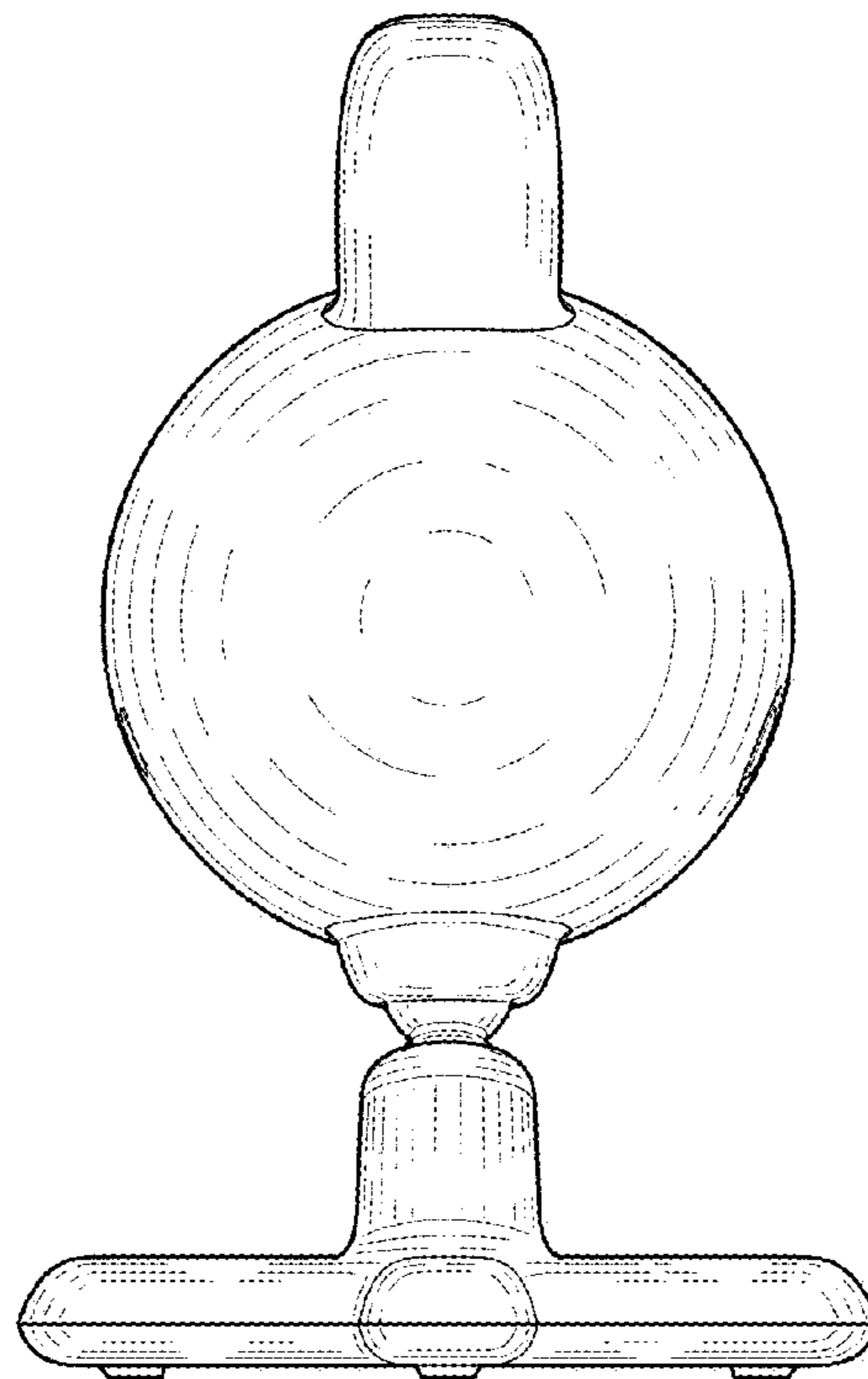


FIG. 3

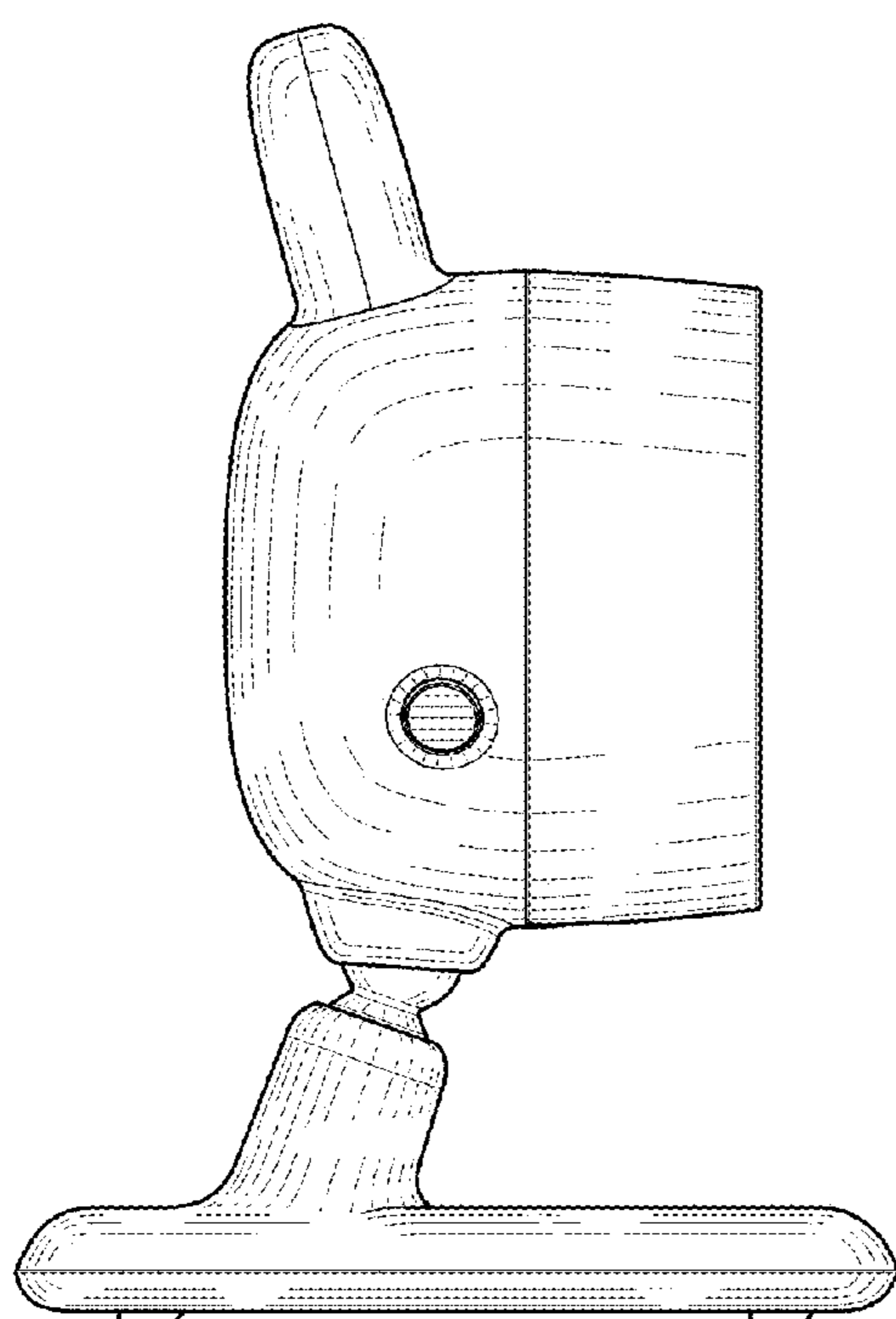


FIG. 4

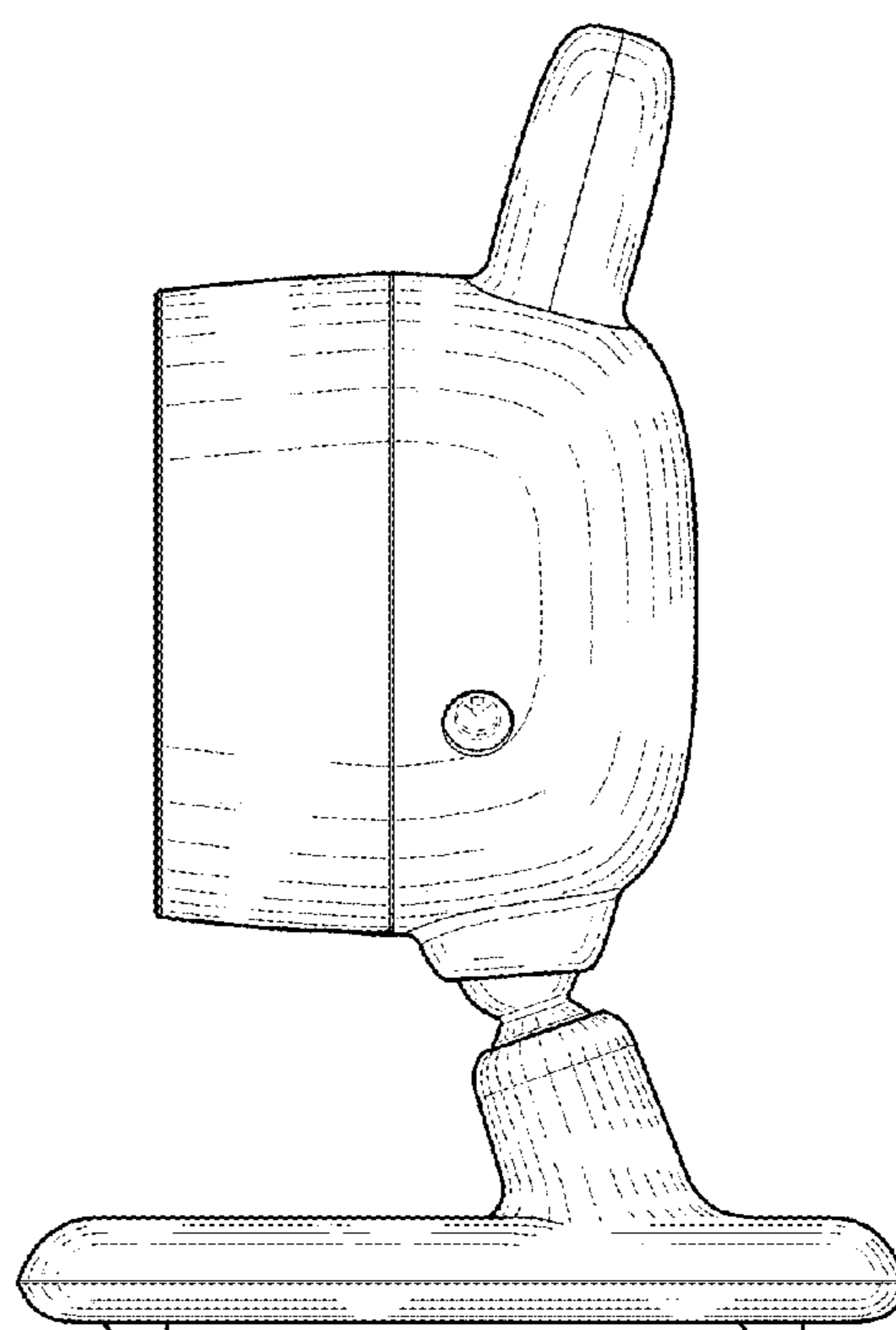


FIG. 5

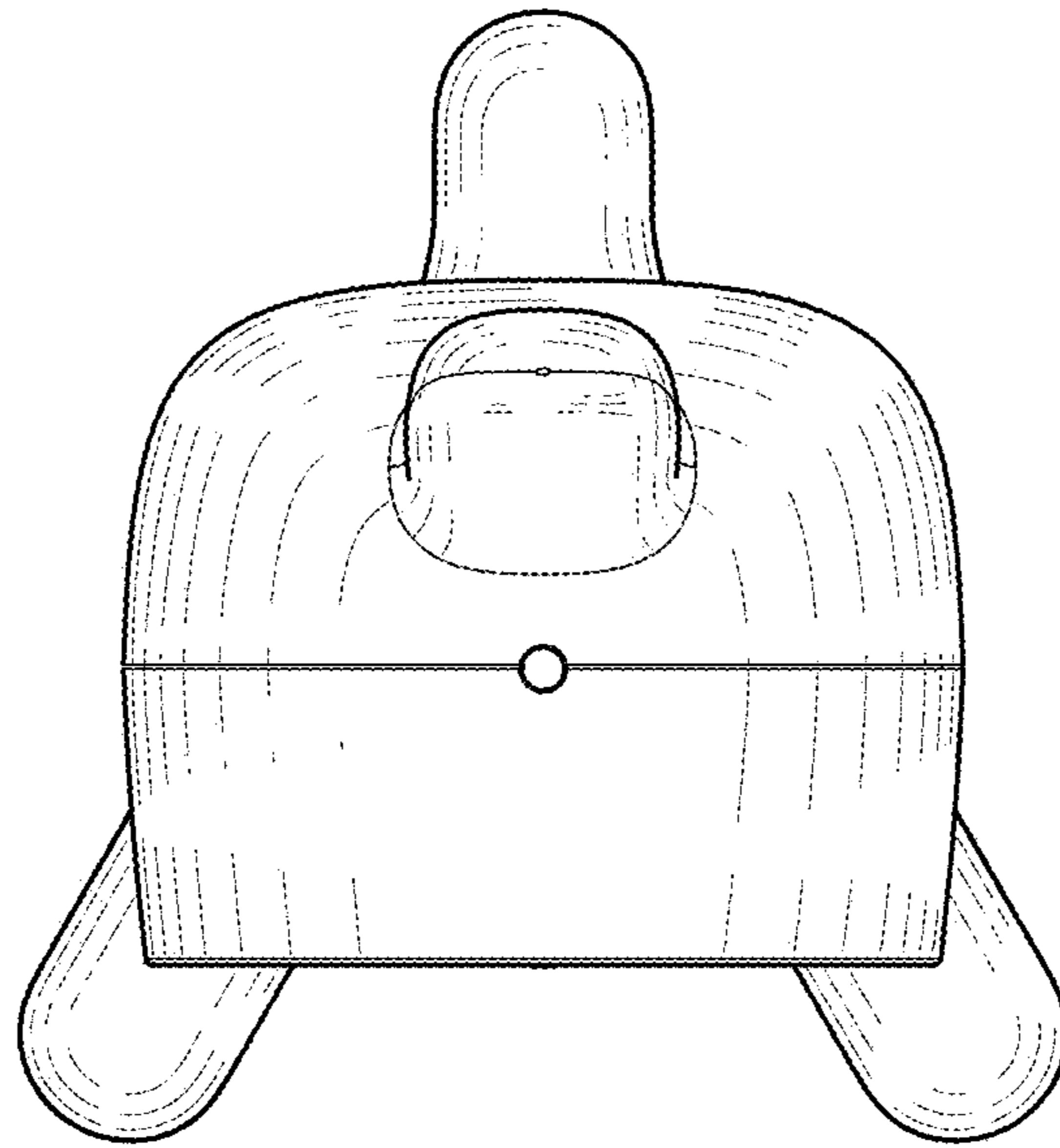


FIG. 6

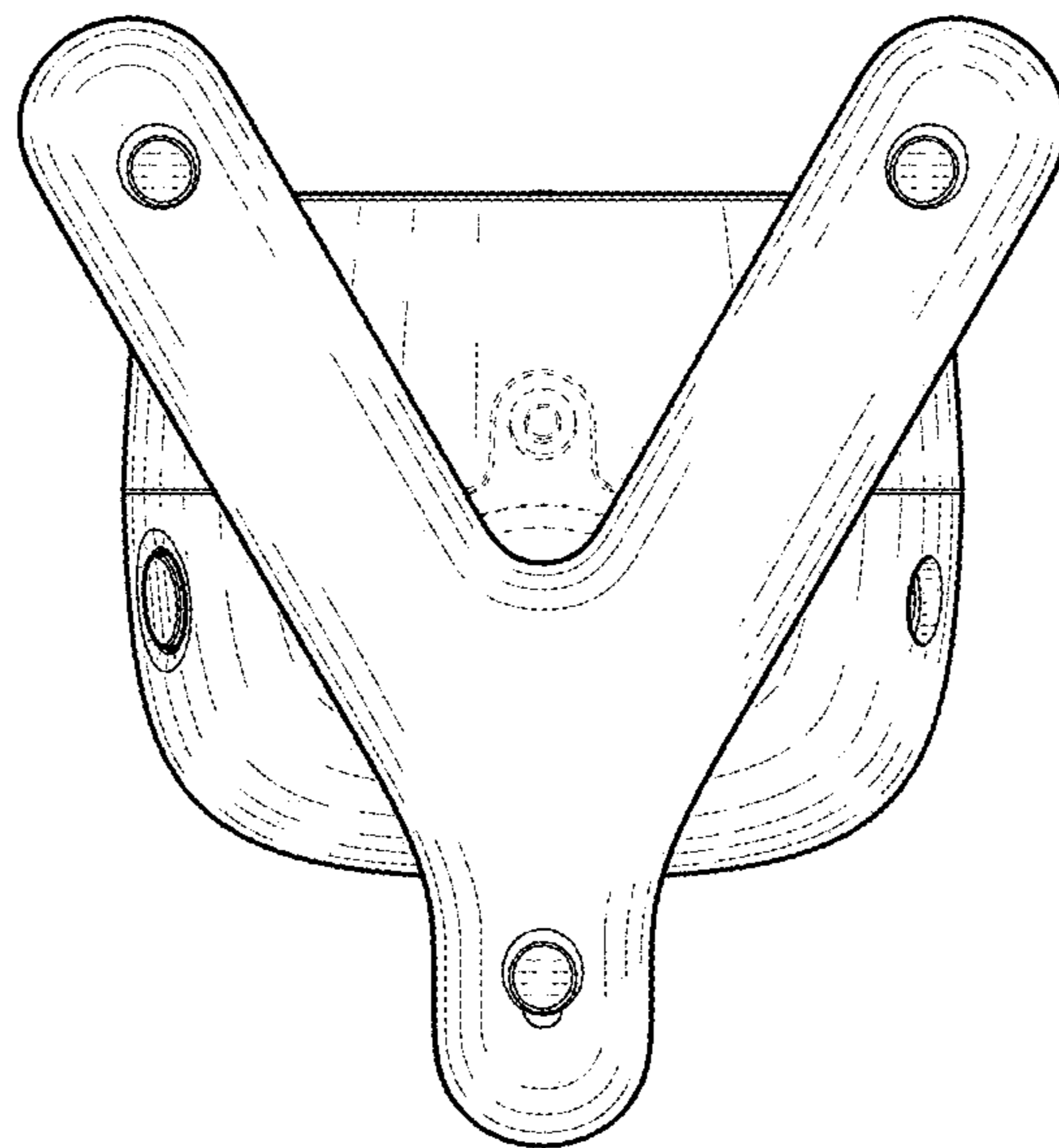


FIG. 7