



US00D681587S

(12) **United States Design Patent**
Youn

(10) **Patent No.:** **US D681,587 S**

(45) **Date of Patent:** **** May 7, 2013**

(54) **MOBILE COMMUNICATION TERMINAL**

(75) Inventor: **Ji-Hye Youn**, Seongnam-si (KR)

(73) Assignee: **Samsung Electronics Co., Ltd.**,
Suwon-Si (KR)

(**) Term: **14 Years**

(21) Appl. No.: **29/418,337**

(22) Filed: **Apr. 16, 2012**

(30) **Foreign Application Priority Data**

Dec. 1, 2011 (KR) 30-2011-0050890

(51) **LOC (9) Cl.** **14-03**

(52) **U.S. Cl.**
USPC **D14/138 AB**

(58) **Field of Classification Search** D14/138 AB,
D14/138 G, 138 AD, 341, 345, 346, 138 R,
D14/138 AA, 496, 203.1, 203.4, 203.7, 248,
D14/218; 455/575.1, 556.2, 575.3, 575.4;
D21/517; 379/433.01, 433.04, 433.12, 433.13;
D10/65, 78, 104; D13/168

See application file for complete search history.

(56) **References Cited**

U.S. PATENT DOCUMENTS

D508,035	S	*	8/2005	Kim et al.	D14/138 AB
D509,816	S	*	9/2005	Kim et al.	D14/138 AB
D557,231	S	*	12/2007	Chung et al.	D14/138 AB
D559,216	S	*	1/2008	Sheu et al.	D14/138 AB
D565,010	S	*	3/2008	Baik et al.	D14/138 AB
D568,857	S	*	5/2008	Roh	D14/138 AB
D574,352	S	*	8/2008	Cha et al.	D14/138 AB
D576,142	S	*	9/2008	Park et al.	D14/138 AB
D578,093	S	*	10/2008	Park et al.	D14/138 AB
D582,872	S	*	12/2008	Oh et al.	D14/138 AB
D583,794	S	*	12/2008	Lee et al.	D14/138 AB
D584,265	S	*	1/2009	Lee et al.	D14/138 AB

D589,024	S	*	3/2009	Yoo	D14/138 AB
D591,260	S	*	4/2009	Kim et al.	D14/138 AB
D599,765	S	*	9/2009	Park et al.	D14/138 AB

(Continued)

OTHER PUBLICATIONS

Samsung M310 telephone, announced May 2008, [online], [site visited Jan. 2, 2013]. Available from Internet, <URL: http://www.gsmarena.com/samsung_m310-2423.php>.*

(Continued)

Primary Examiner — Jeffrey D Asch

(74) *Attorney, Agent, or Firm* — Staas & Halsey LLP

(57) **CLAIM**

The ornamental design for a mobile communication terminal, as shown and described.

DESCRIPTION

FIG. 1 is a front perspective view of a mobile communication terminal;

FIG. 2 is a front view of the mobile communication terminal of FIG. 1;

FIG. 3 is a rear view of the mobile communication terminal of FIG. 1;

FIG. 4 is a left-side view of the mobile communication terminal of FIG. 1;

FIG. 5 is a right-side view of the mobile communication terminal of FIG. 1;

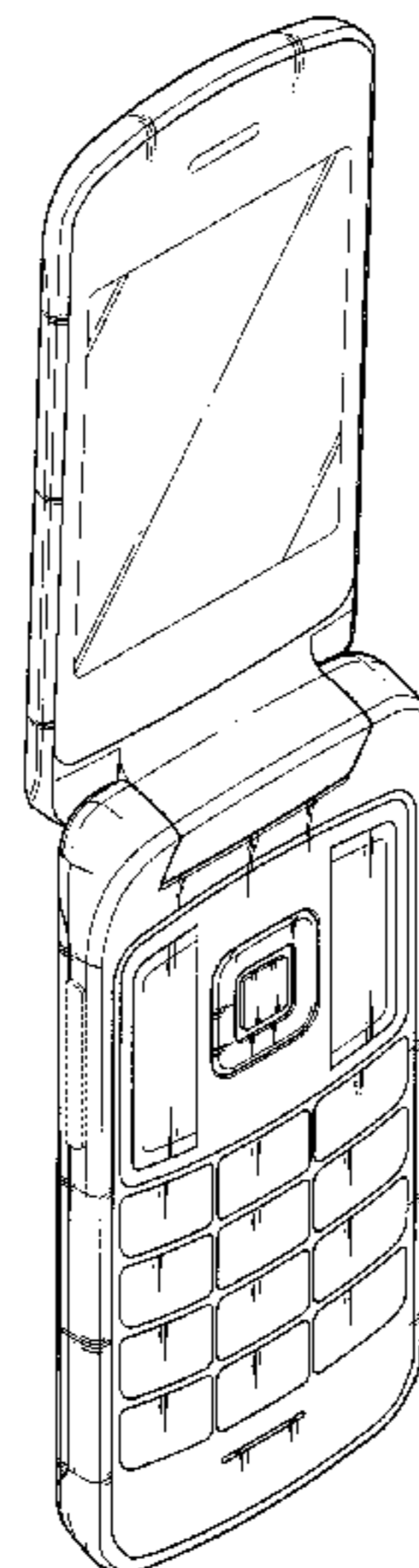
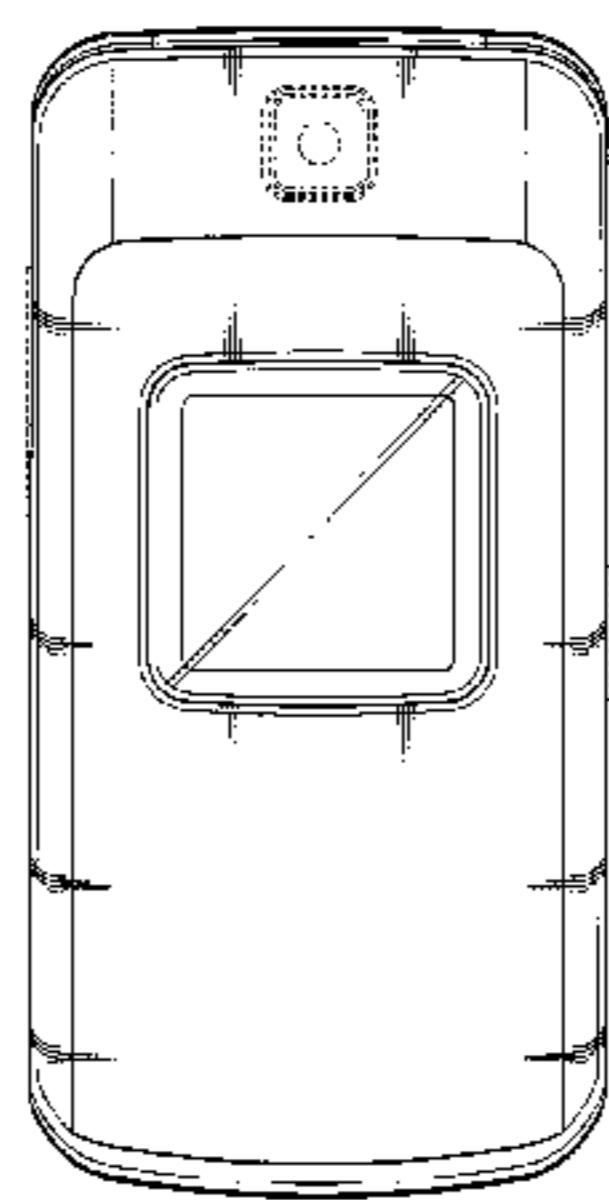
FIG. 6 is a top plan view of the mobile communication terminal of FIG. 1;

FIG. 7 is a bottom plan view of the mobile communication terminal of FIG. 1; and,

FIG. 8 is an open front perspective view of a mobile communication terminal.

The broken lines shown in the figures that are immediately adjacent to the shaded areas and define unshaded regions, represent the bounds of the claim, while all other broken lines are directed to environment and are for illustrative purposes only; the broken lines form no part of the claimed design.

1 Claim, 8 Drawing Sheets



U.S. PATENT DOCUMENTS

D601,996	S	*	10/2009	Jeoung et al.	D14/138	AB
D601,997	S	*	10/2009	Kim et al.	D14/138	AB
D607,857	S	*	1/2010	Kim et al.	D14/138	AB
D613,714	S	*	4/2010	Park et al.	D14/138	AB
D635,539	S	*	4/2011	Suk et al.	D14/138	AB
D635,542	S	*	4/2011	Park et al.	D14/138	AB
D647,871	S	*	11/2011	Han	D14/138	AB
D647,874	S	*	11/2011	Park	D14/138	AB
D648,306	S	*	11/2011	Koh	D14/138	AB
D666,568	S	*	9/2012	Puranen	D14/138	AB

OTHER PUBLICATIONS

Samsung M260 Factor telephone, announced Mar. 2011, [online], [site visited Jan. 2, 2013]. Available from Internet, <URL: http://www.gsmarena.com/samsung_m260_factor-3878.php>.*

LG MG295 telephone, announced Jan. 2008, [online], [site visited Jan. 2, 2013]. Available from Internet, <URL: http://www.gsmarena.com/lg_mg295-2406.php>.*

Samsung T439 telephone, announced Nov. 2007, [online], [site visited Jan. 2, 2013]. Available from Internet, <URL: http://www.gsmarena.com/samsung_t439-2217.php>.*

Samsung E1190 telephone, announced Jul. 2011, [online], [site visited Jan. 2, 2013]. Available from Internet, <URL: http://www.gsmarena.com/samsung_e1190-4034.php>.*

Samsung M370 telephone, announced Jan. 2012, [online], [site visited Jan. 2, 2013]. Available from Internet, <URL: http://www.gsmarena.com/samsung_m370-4405.php>.*

Samsung Z600 telephone, announced Feb. 2006, [online], [site visited Jan. 2, 2013]. Available from Internet, <URL: http://www.gsmarena.com/samsung_z600-1449.php>.*

* cited by examiner

FIG. 1

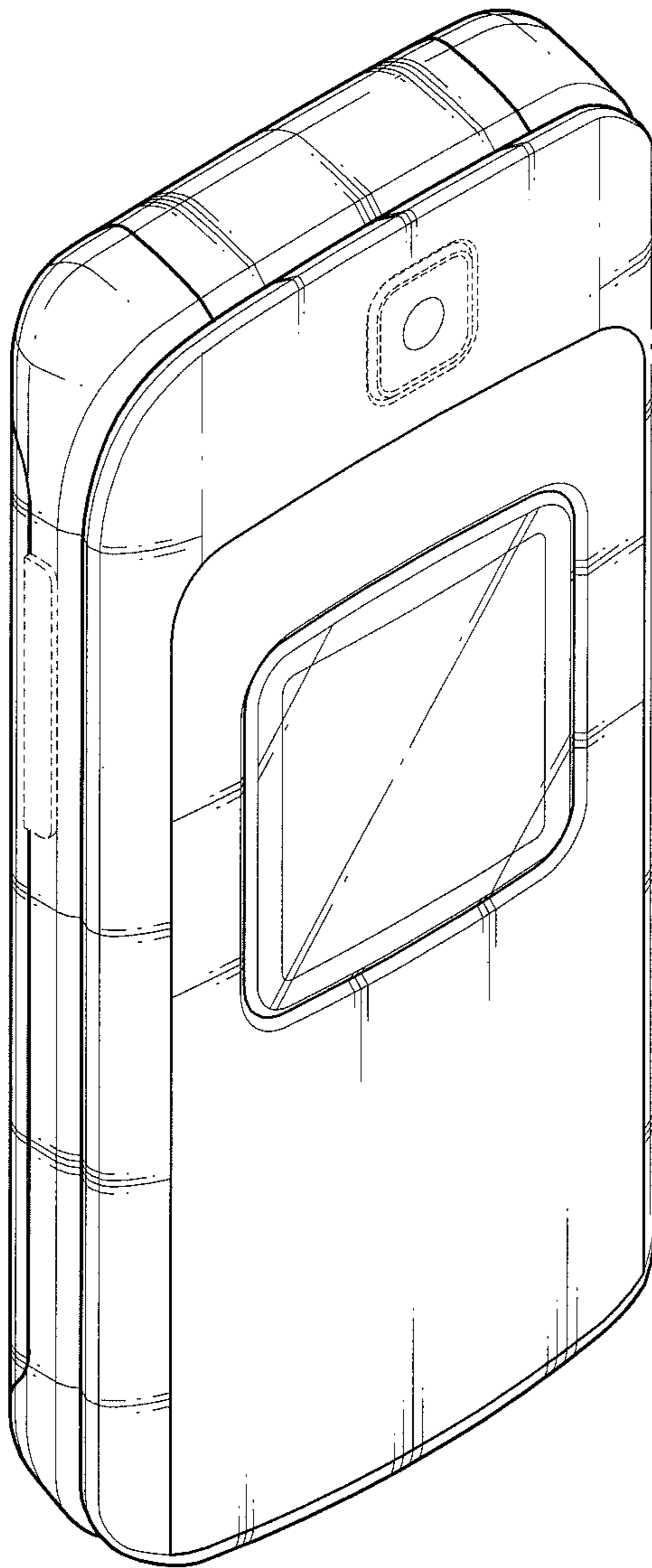


FIG.2

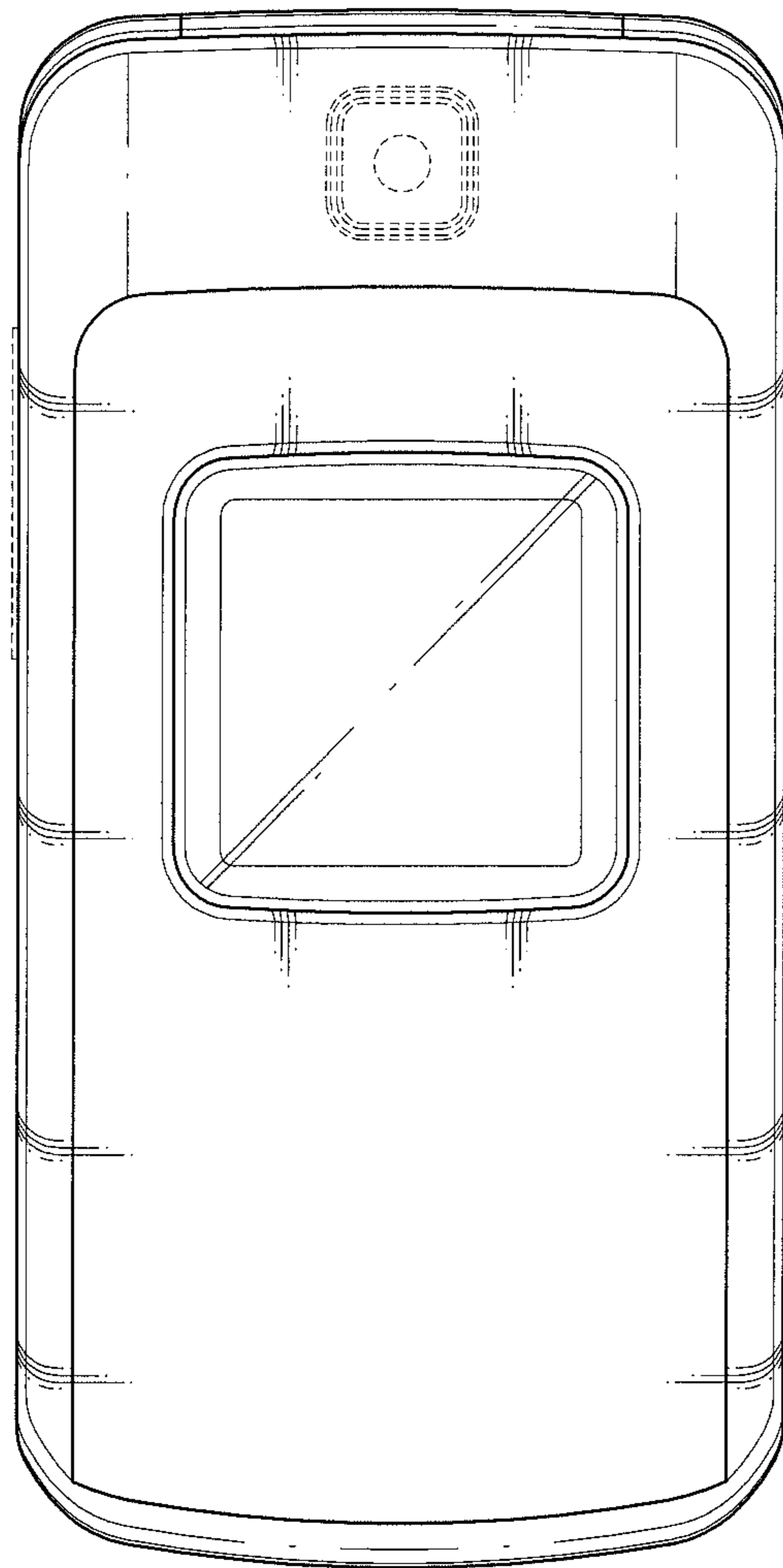


FIG. 3

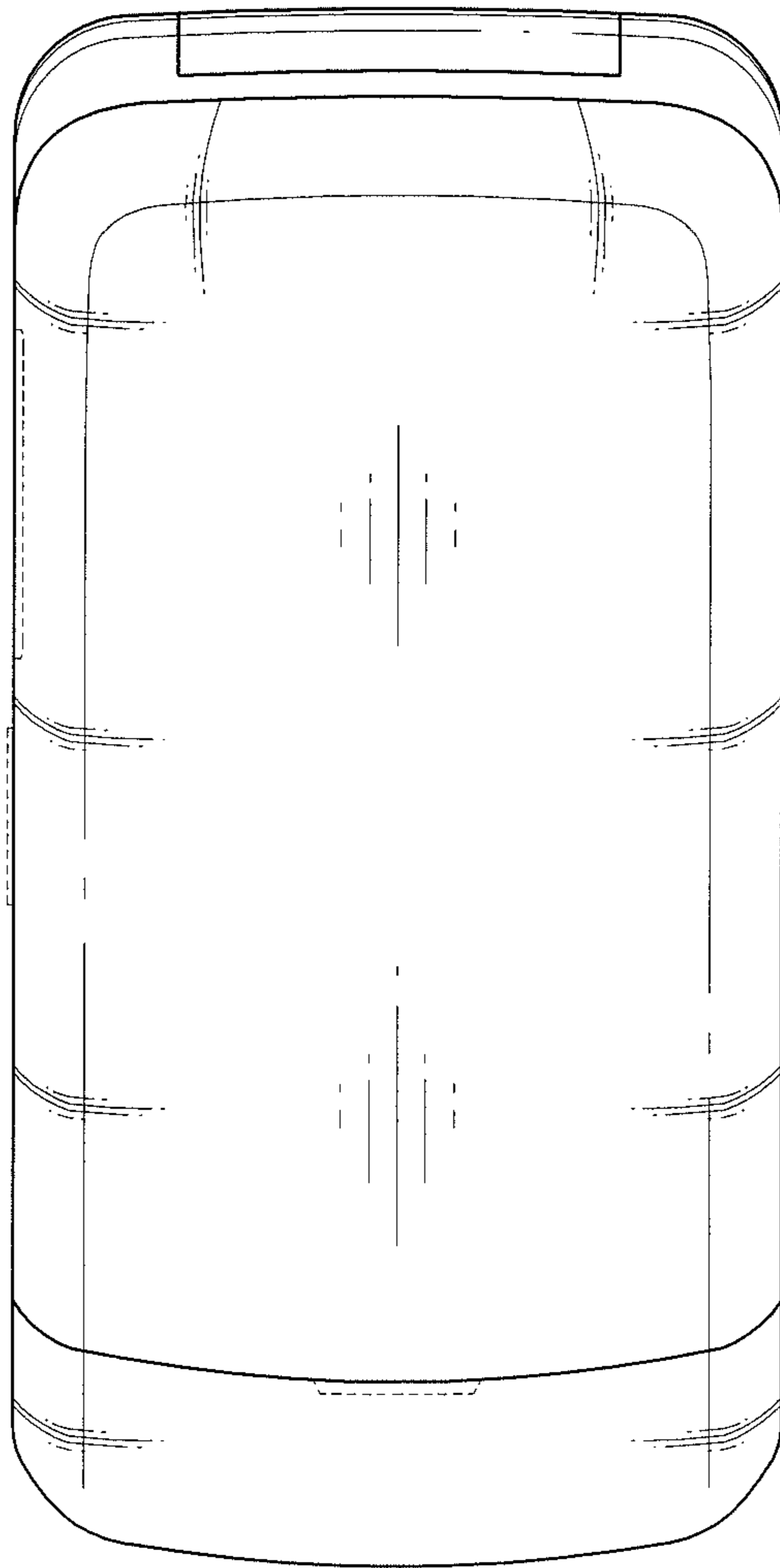


FIG. 4

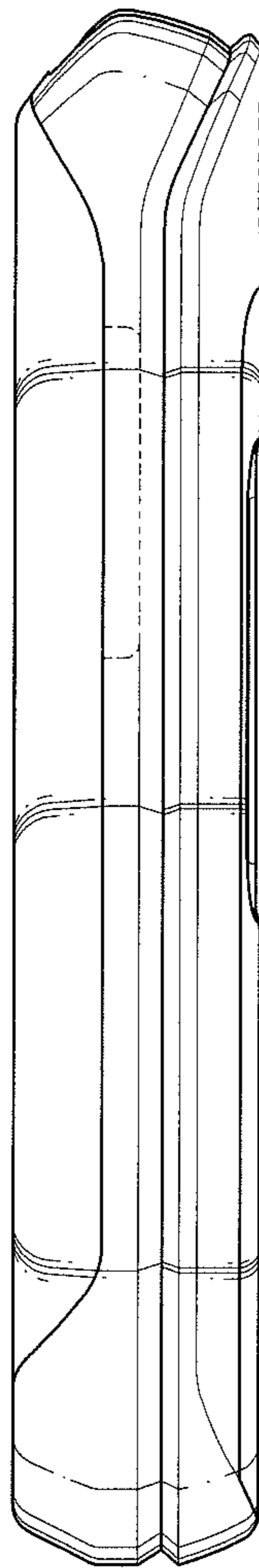


FIG. 5

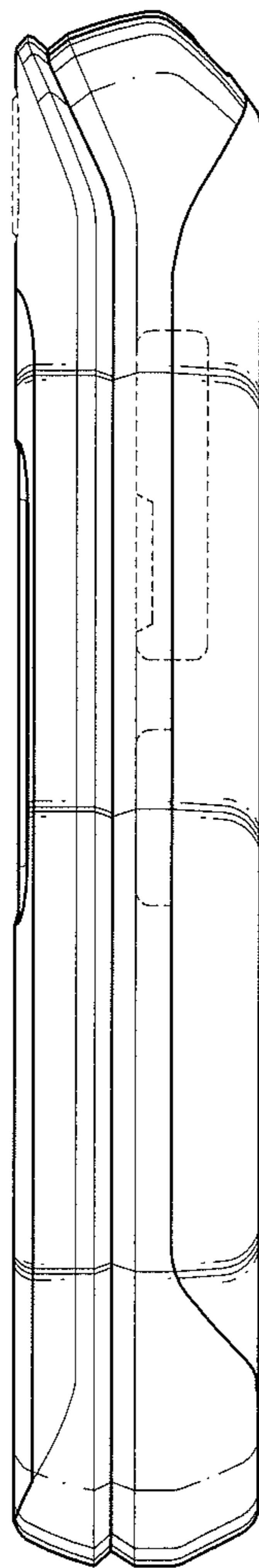


FIG. 6

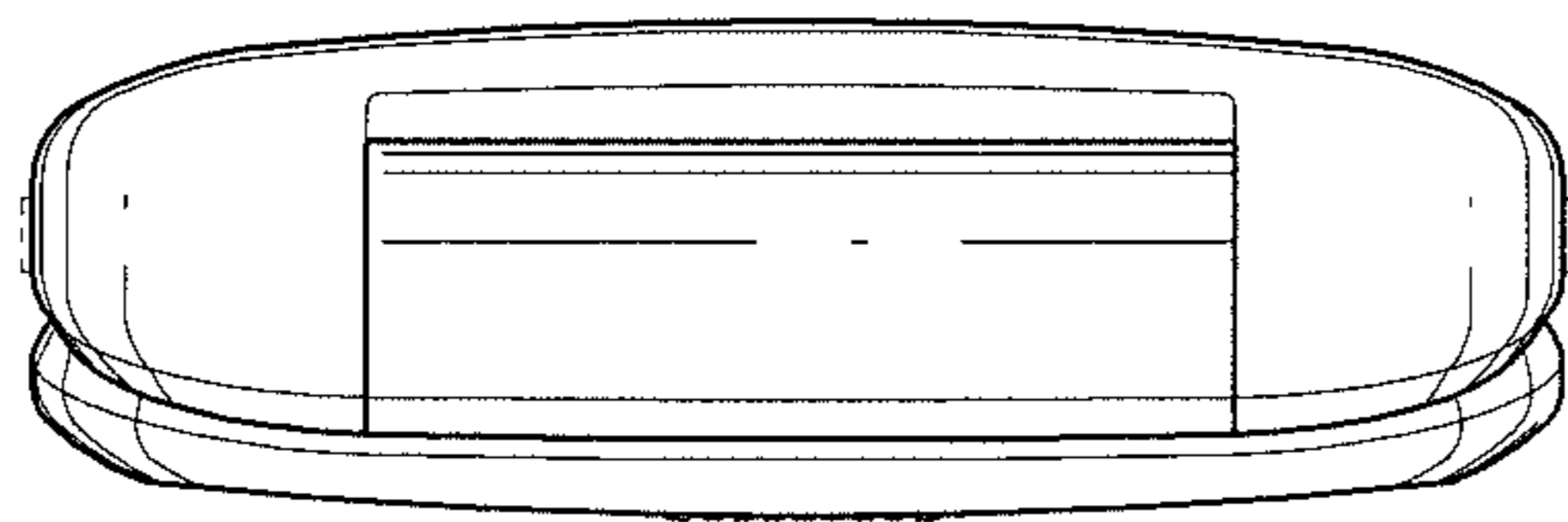


FIG. 7

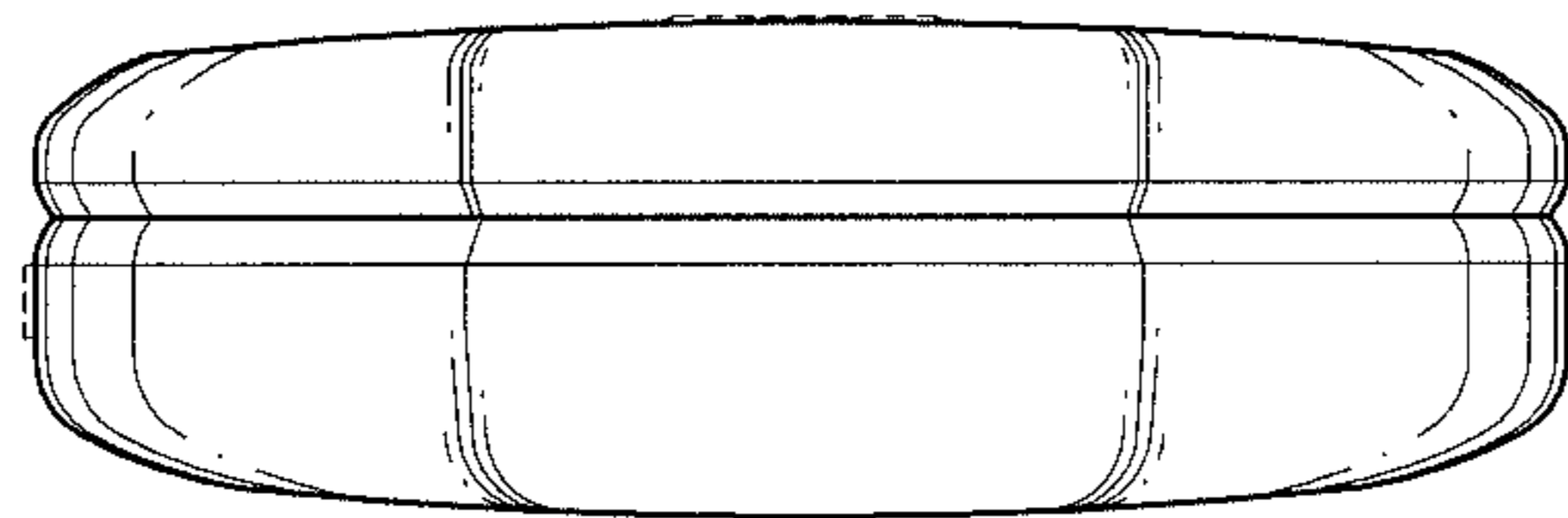


FIG. 8

