



US00D681577S

(12) **United States Design Patent**
Tejima et al.

(10) **Patent No.:** **US D681,577 S**

(45) **Date of Patent:** **** May 7, 2013**

(54) **DISC PLAYER**

(75) Inventors: **Keisuke Tejima**, Tokyo (JP); **Jun Uchiyama**, Tokyo (JP)

(73) Assignee: **Sony Corporation**, Tokyo (JP)

(**) Term: **14 Years**

(21) Appl. No.: **29/421,226**

(22) Filed: **Jun. 15, 2012**

(30) **Foreign Application Priority Data**

Dec. 20, 2011 (JP) D2011-029525

(51) **LOC (9) Cl.** **14-03**

(52) **U.S. Cl.**
USPC **D14/129**

(58) **Field of Classification Search** D14/125-134,
D14/239, 371, 136, 374-377, 440, 450, 448,
D14/336, 342; 312/7.2; 348/836, 838, 180,
348/184, 325, 739; 341/12; 248/917-924,
248/465; 345/104, 133, 156, 168, 87, 173;
720/605, 669, 600, 655; 369/99, 197; 455/344,
455/347; D21/329, 515, 577, 622, 333, 433,
D21/448, 452, 450, 331; D6/477, 479, 300;
273/148 B; 446/484, 175, 356; D10/15,
D10/26

See application file for complete search history.

(56) **References Cited**

U.S. PATENT DOCUMENTS

D445,100 S	7/2001	Sawai	
D447,738 S *	9/2001	Usami et al.	D14/501
D501,452 S *	2/2005	Peng	D14/129
D501,835 S *	2/2005	Peng	D14/129
D503,165 S	3/2005	Tsuge	
D507,548 S *	7/2005	Peng	D14/129
D531,970 S *	11/2006	Tsai et al.	D14/129
D533,527 S *	12/2006	Tsai et al.	D14/129
D534,513 S *	1/2007	Peng	D14/132
D542,751 S *	5/2007	Guo et al.	D14/132

D553,591 S *	10/2007	Yanaura et al.	D14/132
D568,271 S *	5/2008	Lee	D14/132
D586,343 S *	2/2009	Lee et al.	D14/315
D607,449 S	1/2010	Morisawa	
D645,434 S *	9/2011	Cho et al.	D14/132
D652,414 S	1/2012	Morisawa	

* cited by examiner

Primary Examiner — Raphael Barkai

Assistant Examiner — Randall Gholson

(74) *Attorney, Agent, or Firm* — Rader, Fishman & Grauer PLLC

(57) **CLAIM**

The ornamental design for a disc player, as shown and described.

DESCRIPTION

FIG. 1 is a perspective view of a disc player showing our new design;

FIG. 2 is a front elevational view thereof;

FIG. 3 is a rear elevational view thereof;

FIG. 4 is a left side elevational view thereof;

FIG. 5 is a right side elevational view thereof;

FIG. 6 is a top plan view thereof; and

FIG. 7 is a bottom plan view thereof.

FIG. 8 is a perspective view thereof wherein the screen portion is in an open position;

FIG. 9 is a front elevational view thereof;

FIG. 10 is a rear elevational view thereof;

FIG. 11 is a left side elevational view thereof;

FIG. 12 is a right side elevational view thereof;

FIG. 13 is a top plan view thereof; and

FIG. 14 is a bottom plan view thereof.

FIG. 15 is a cross sectional view thereof along the lines 15-15 of FIG. 9.

FIG. 16 is an enlarged cross sectional view thereof along the line 16-16 of FIG. 15;

FIG. 17 is an enlarged cross sectional view thereof along the line 17-17 of FIG. 15; and,

FIG. 18 is an enlarged cross sectional view thereof along the line 18-18 of FIG. 15.

1 Claim, 13 Drawing Sheets

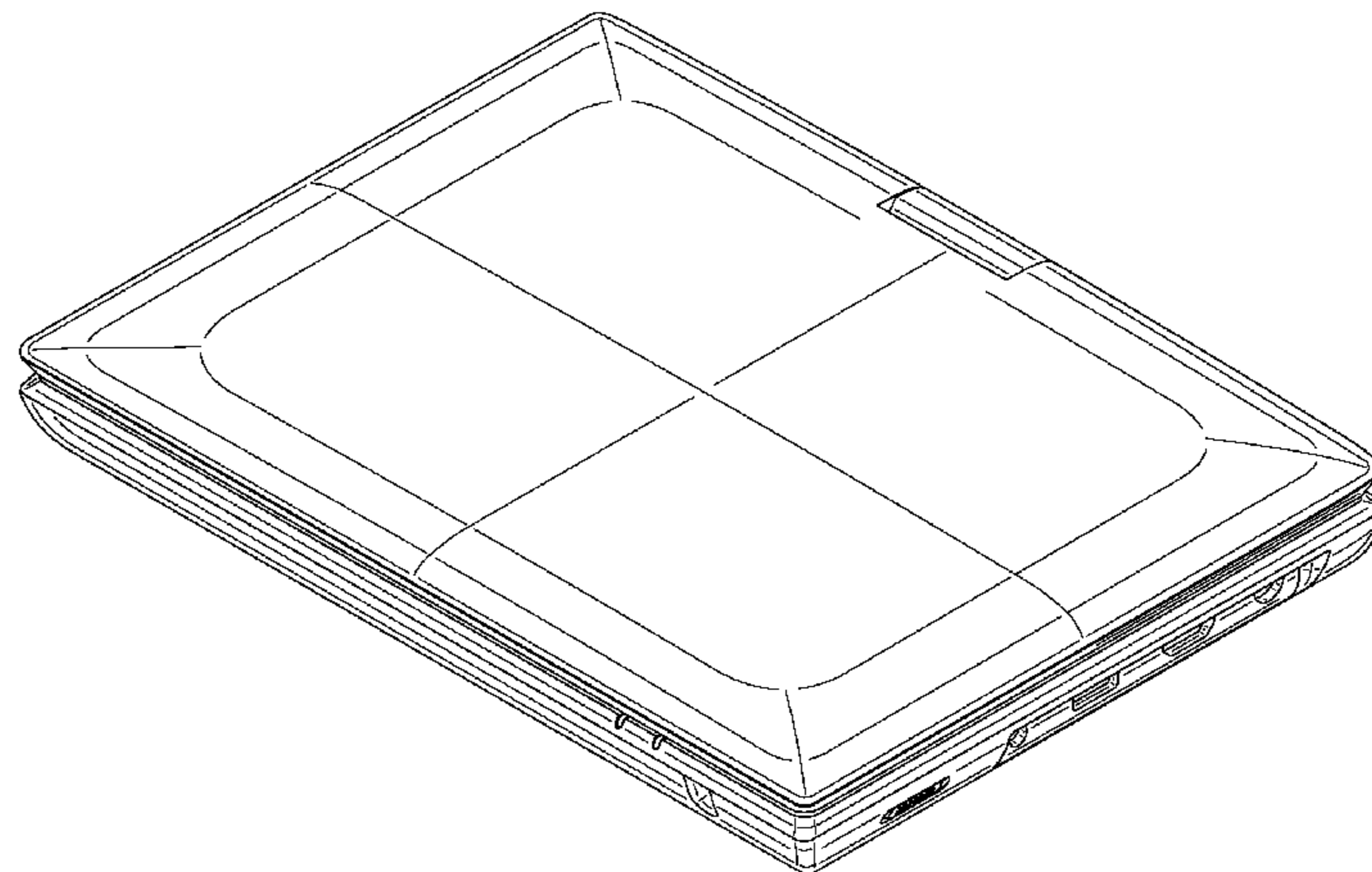


FIG.1

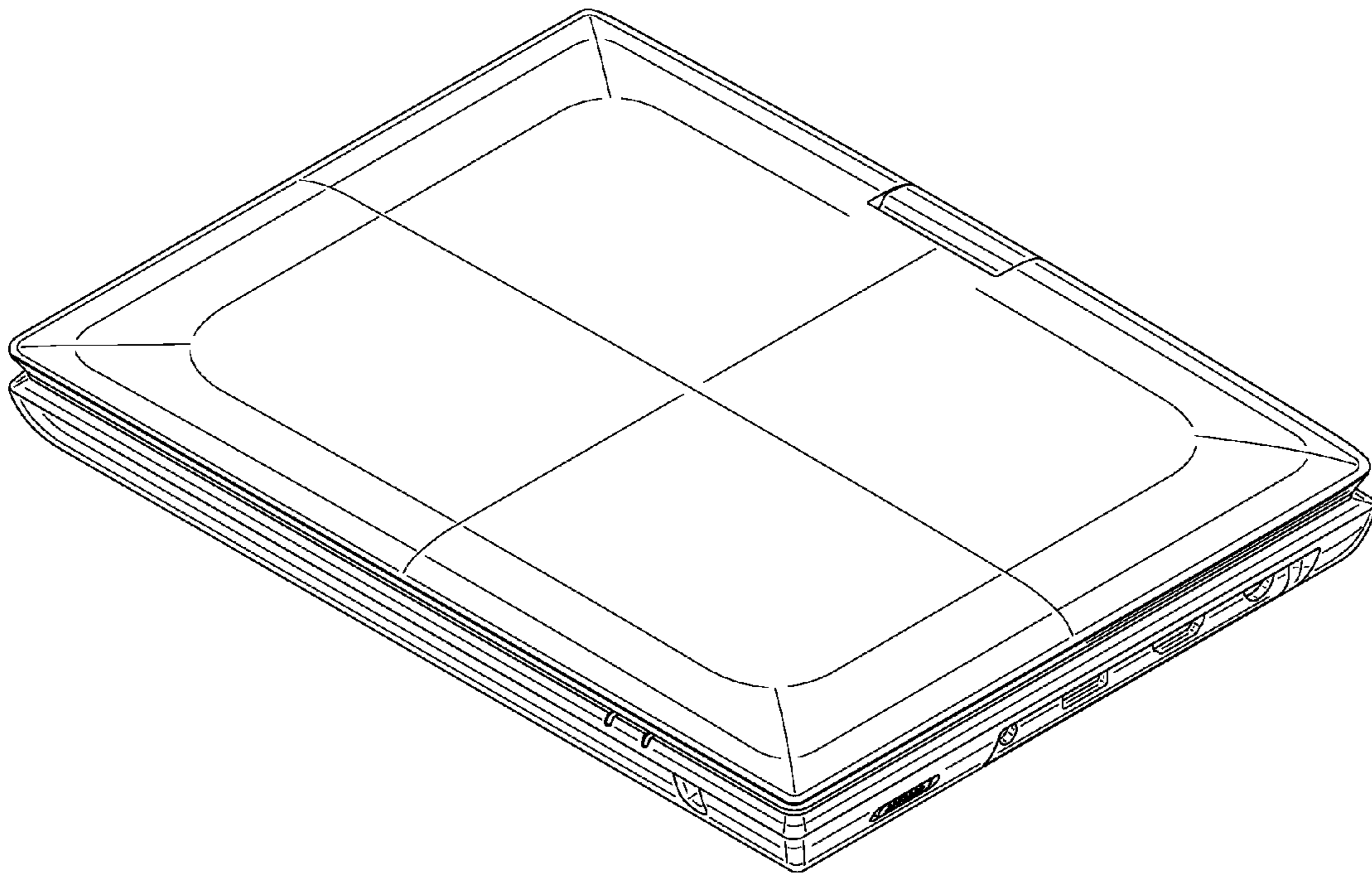


FIG.2

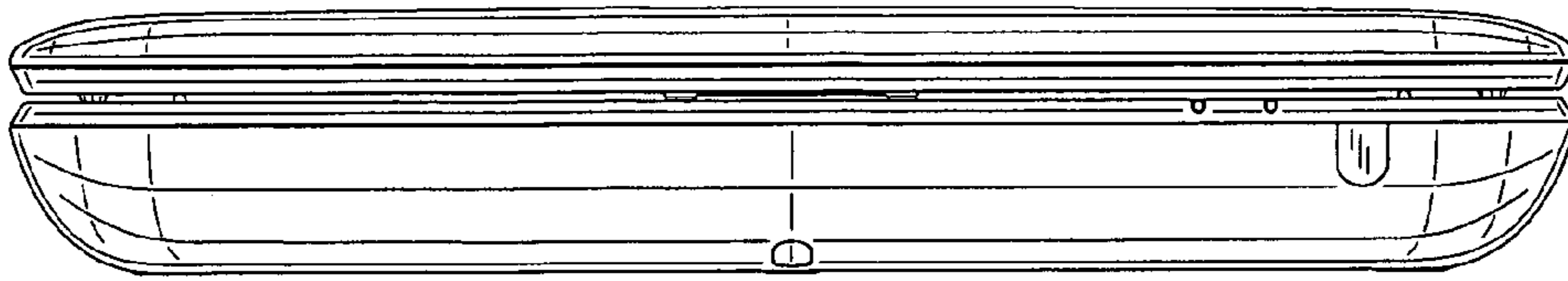


FIG.3

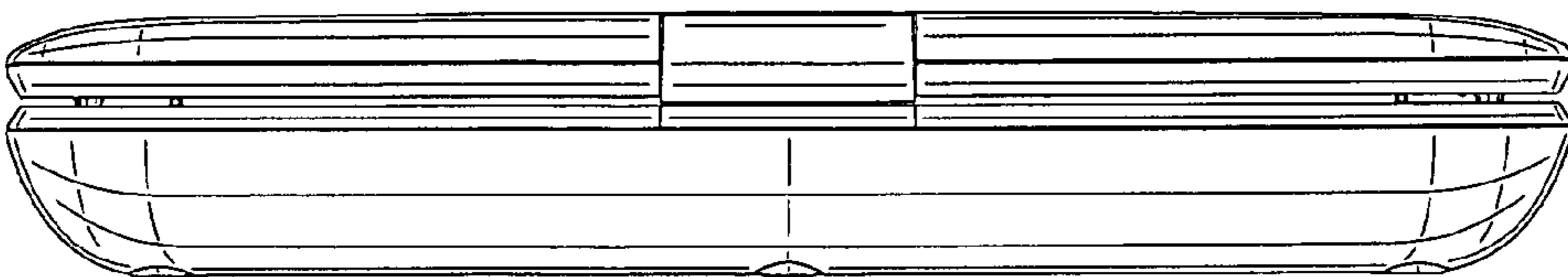


FIG.4

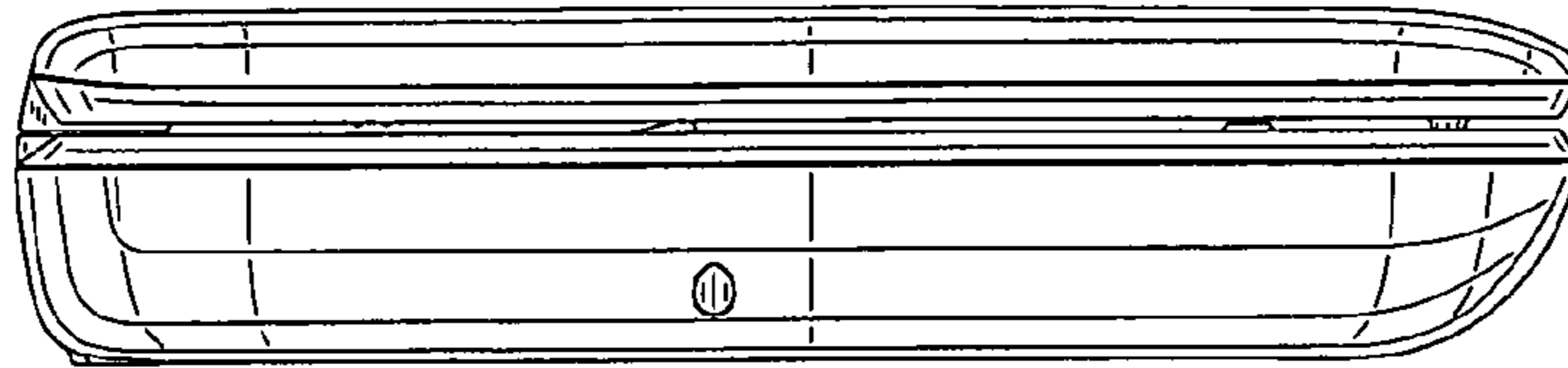


FIG.5

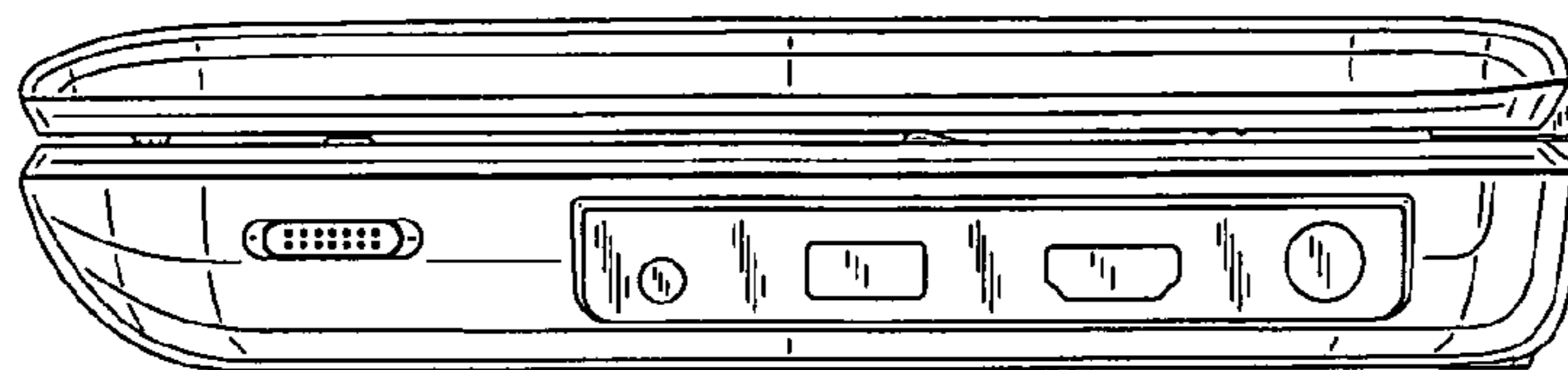


FIG.6

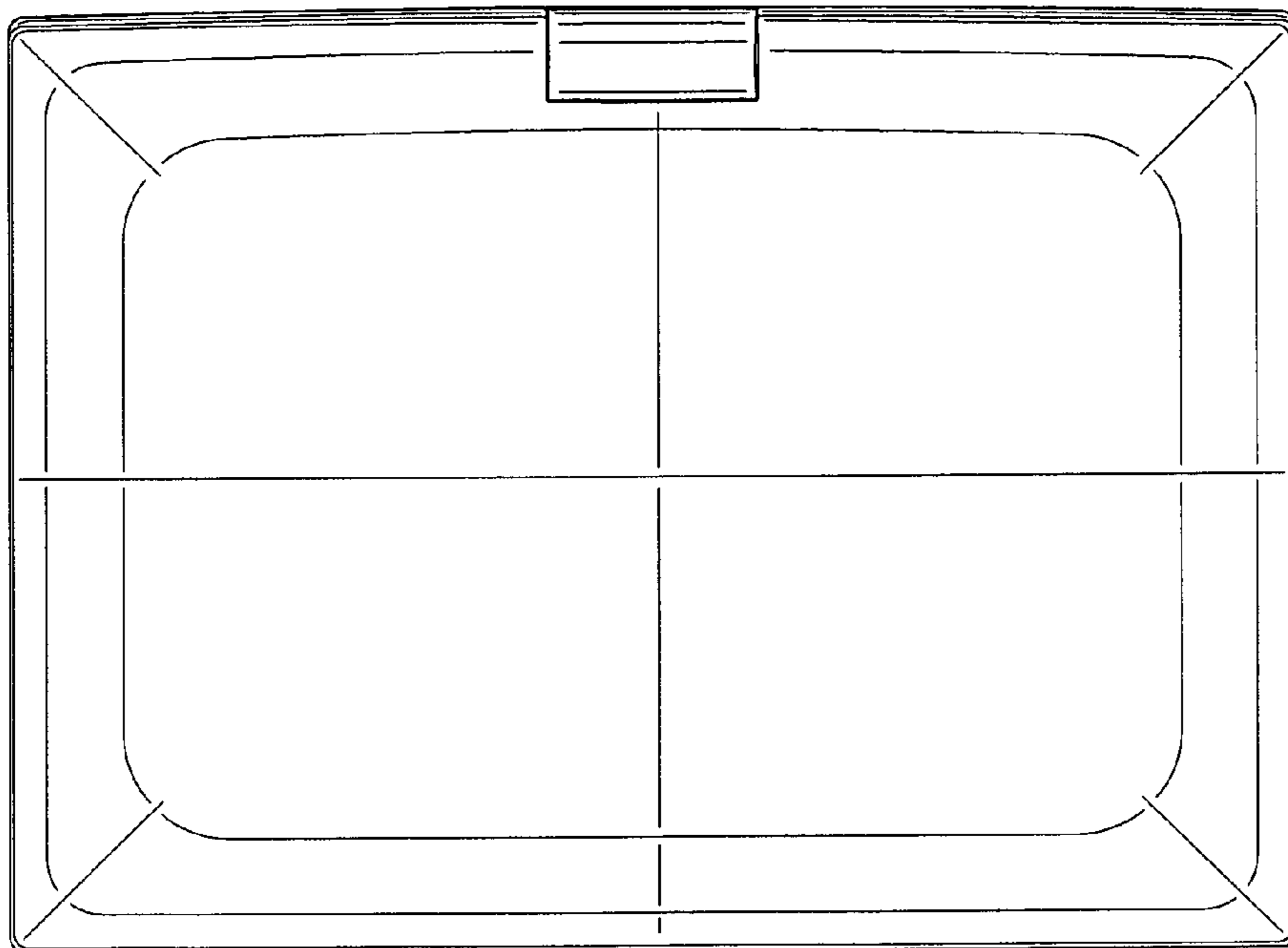


FIG.7

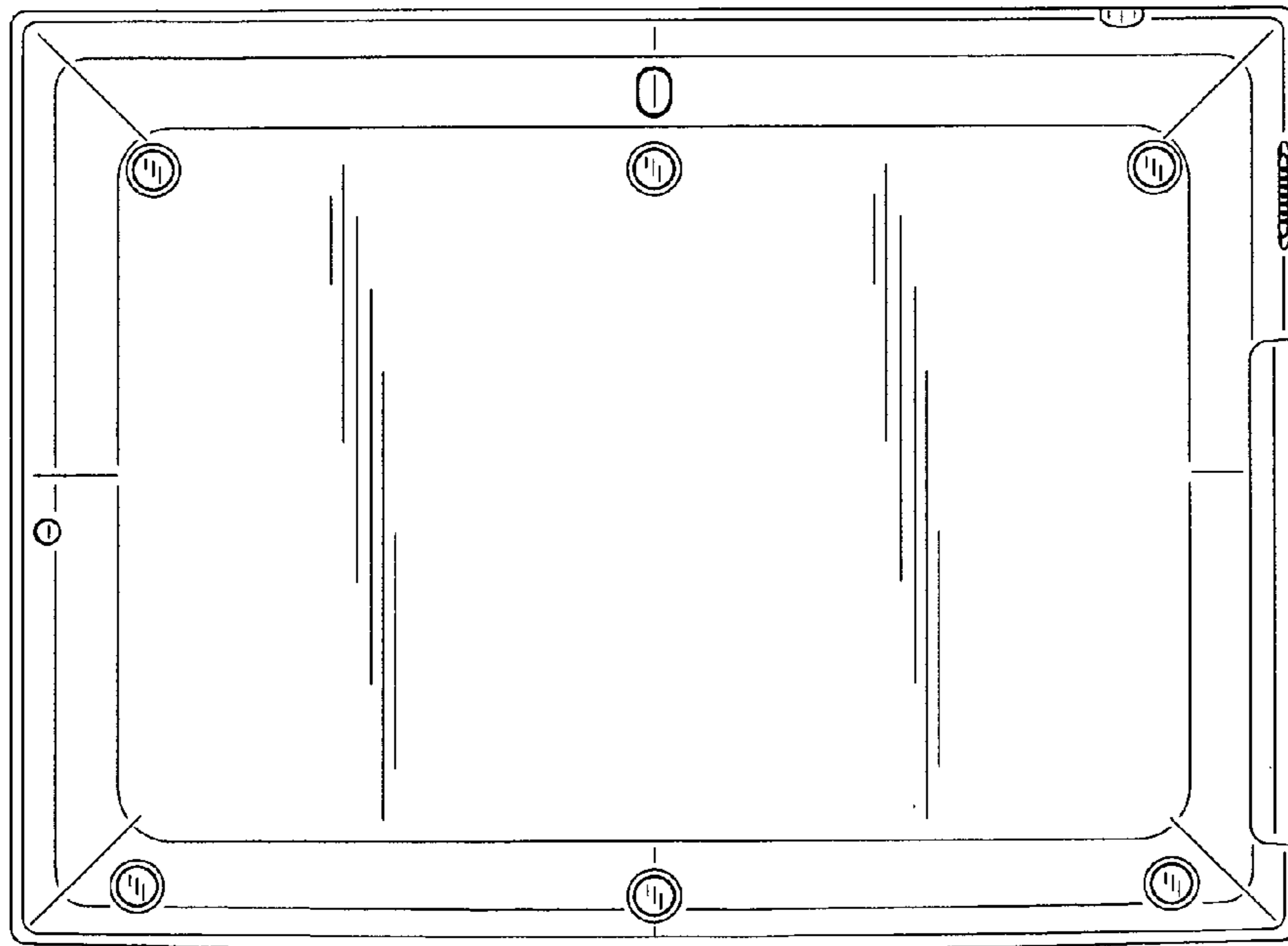


FIG.8

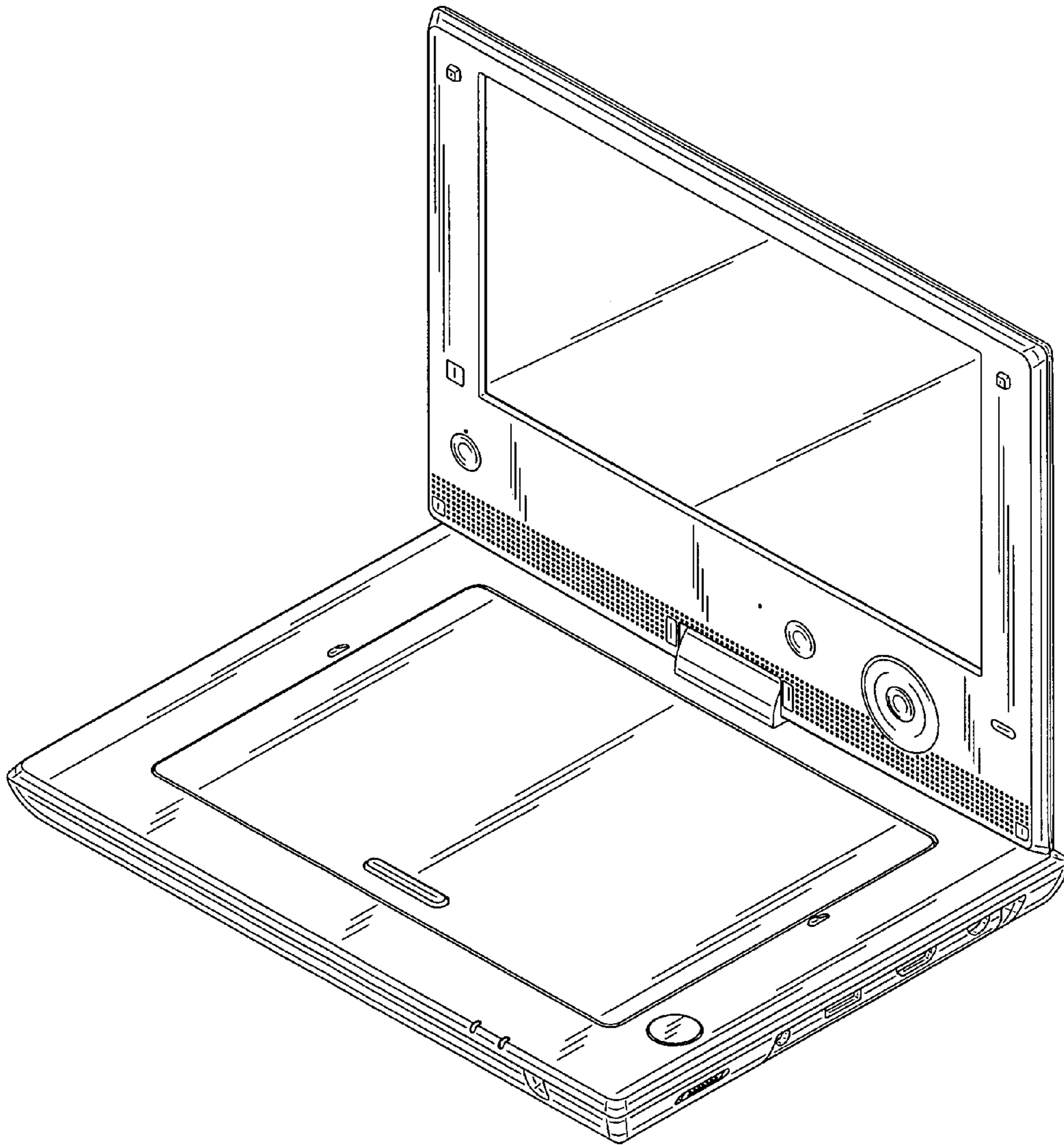


FIG.9

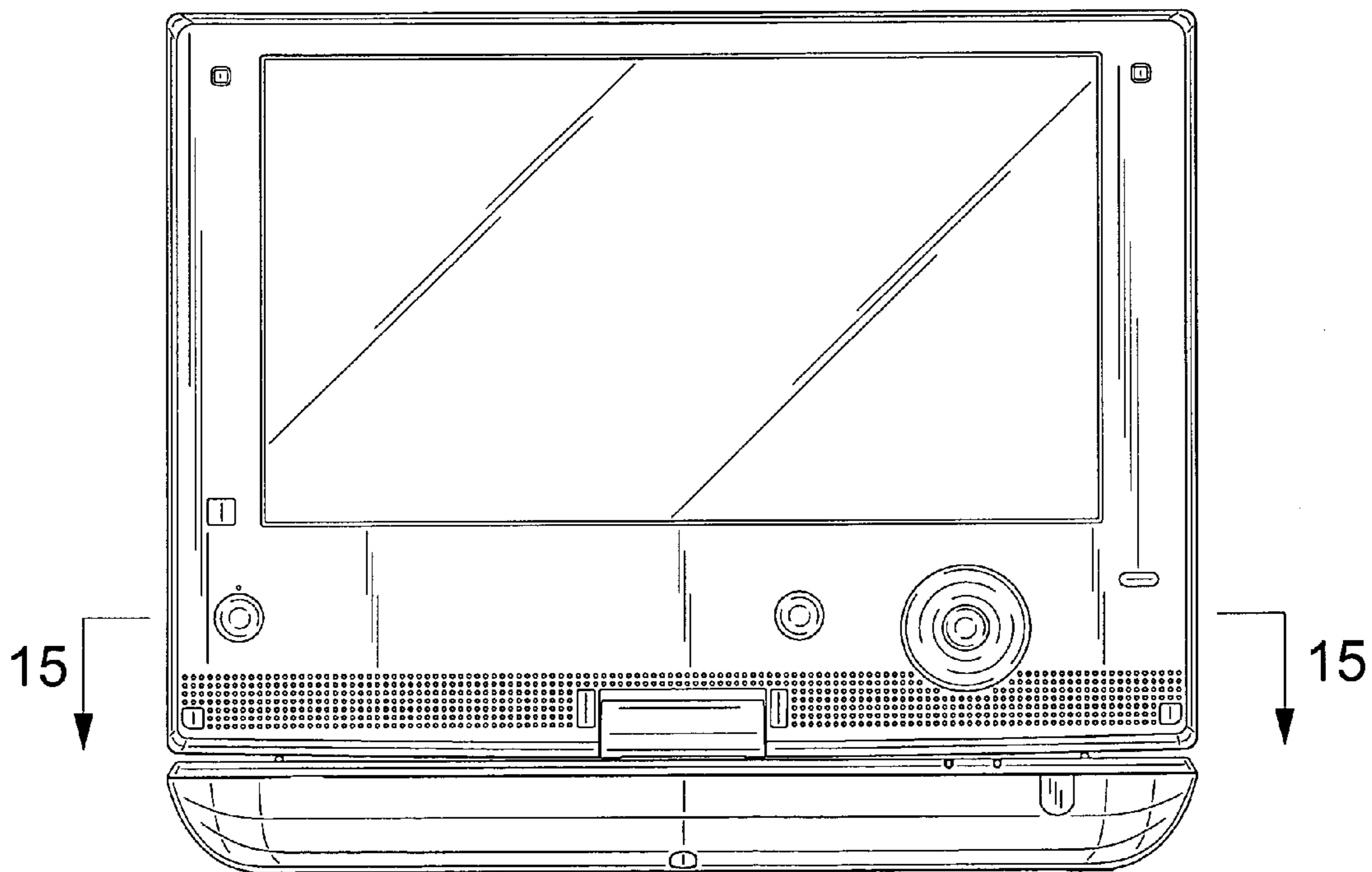


FIG.10

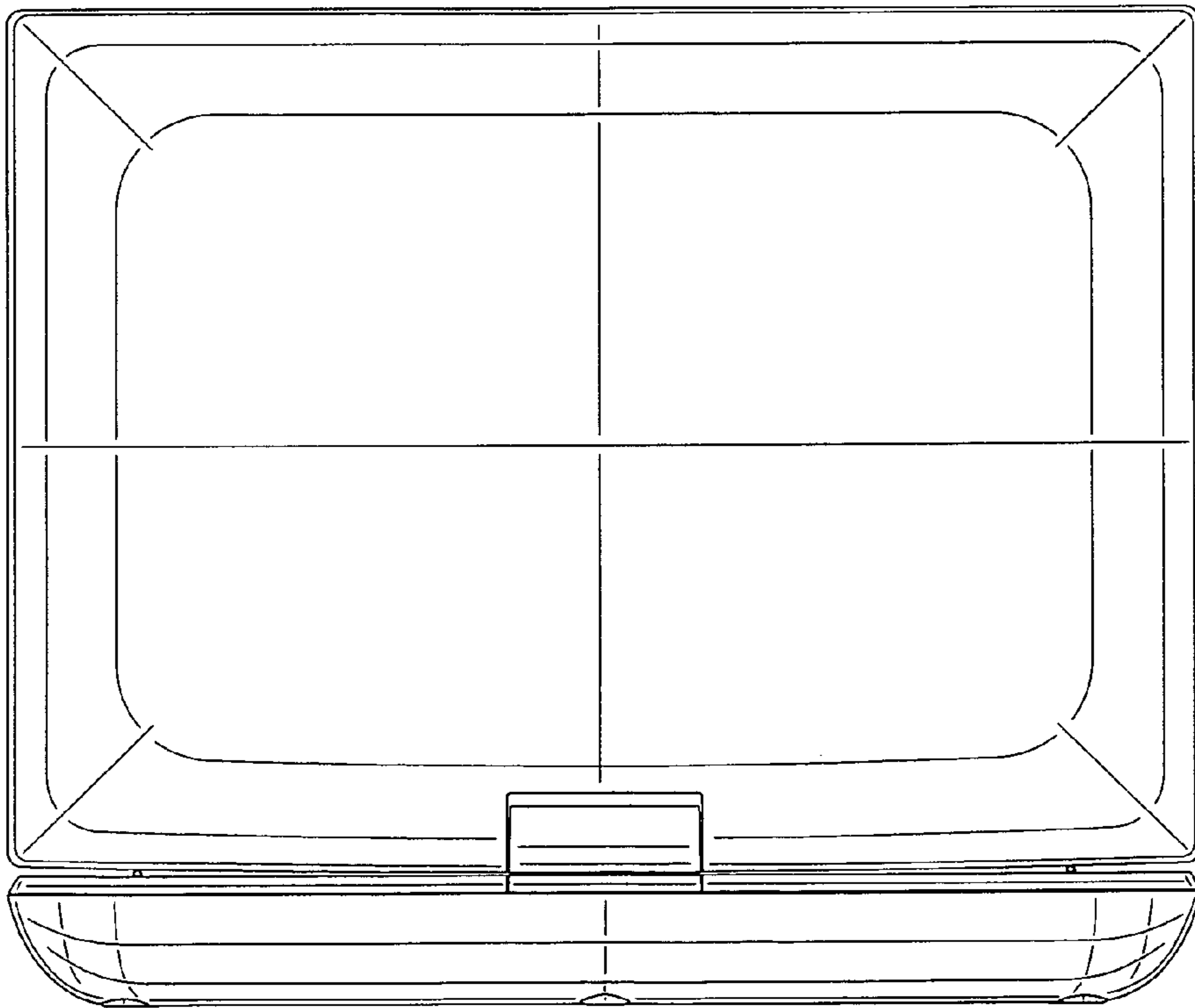


FIG.11

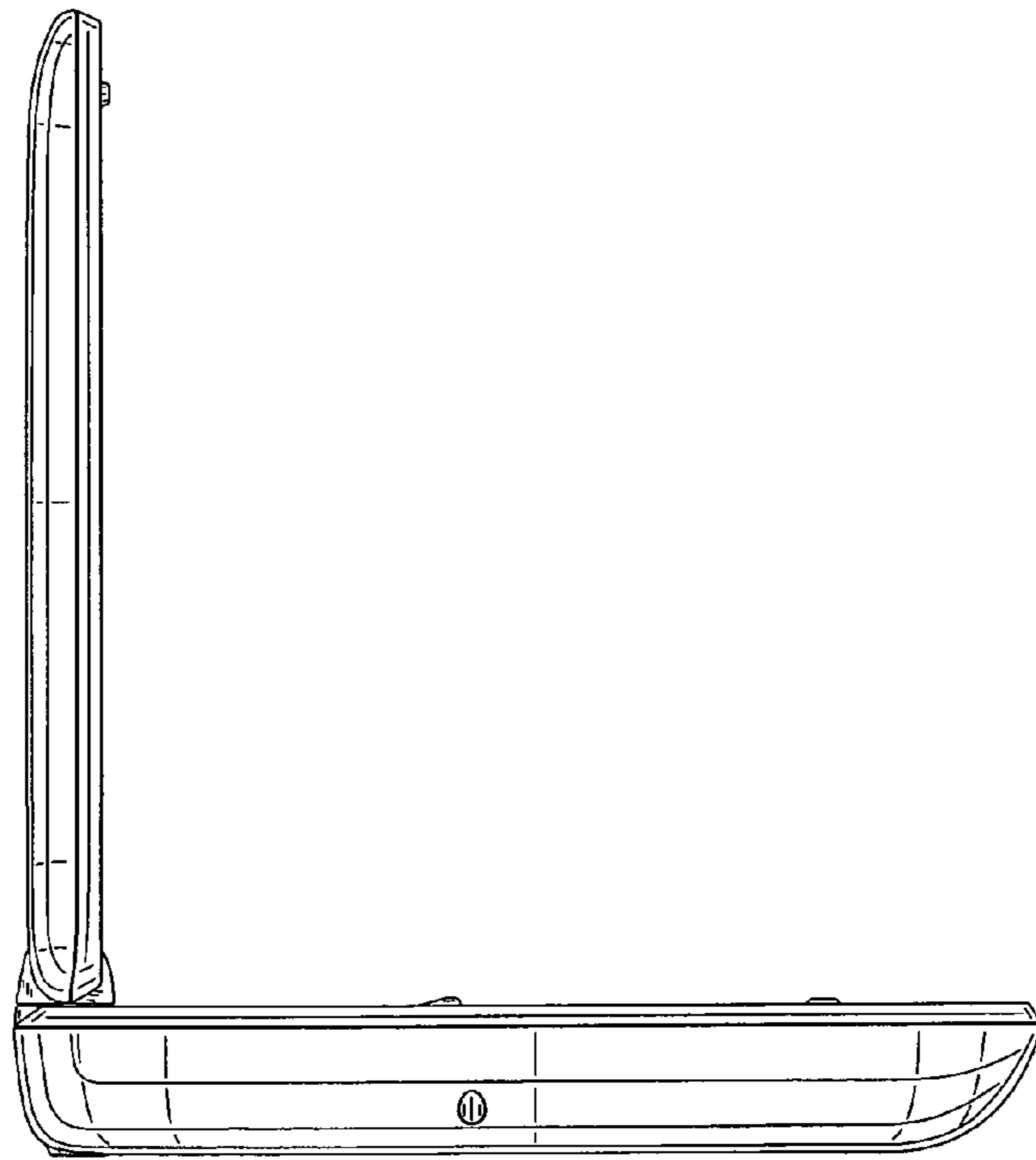


FIG.12

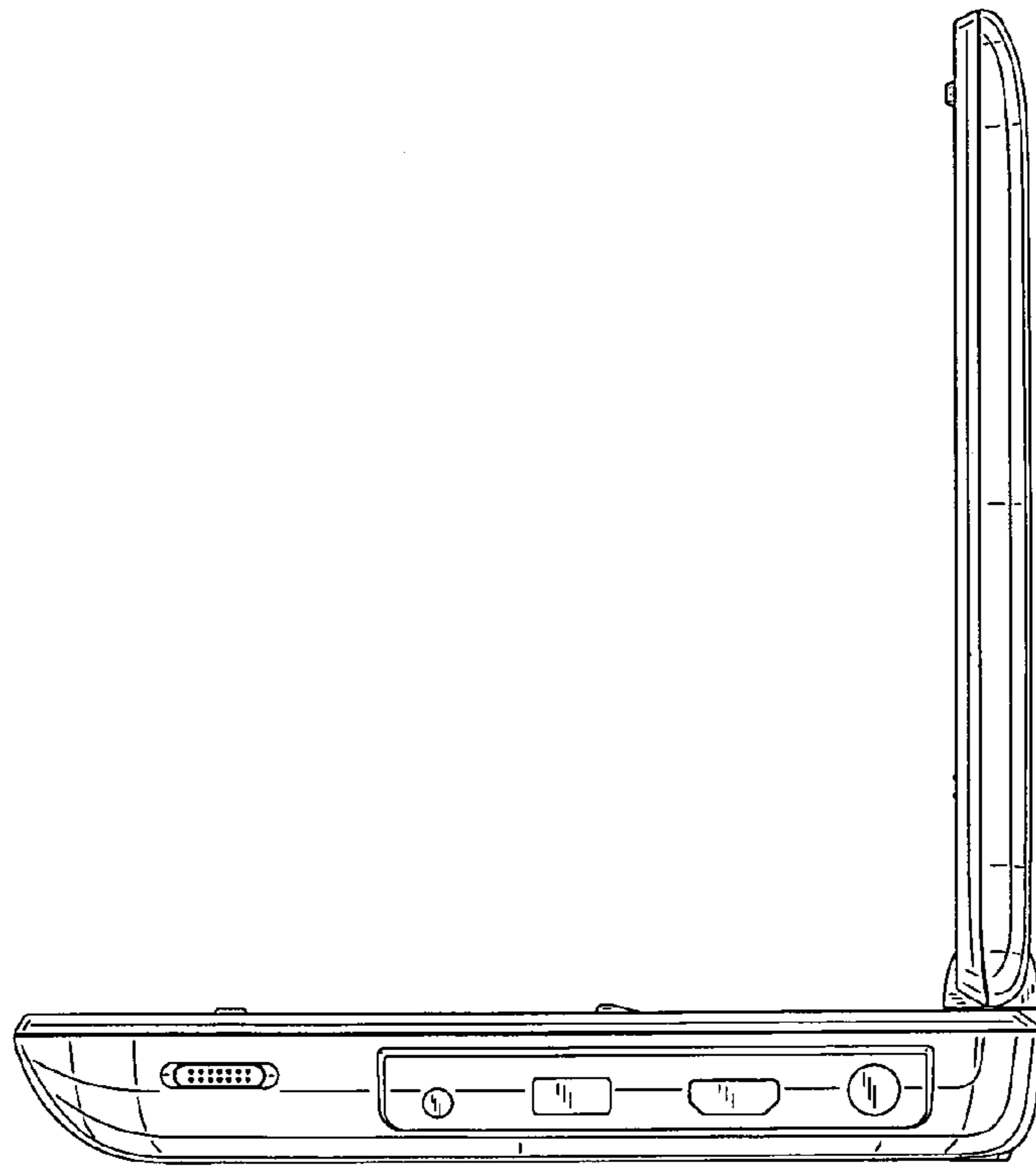


FIG.13

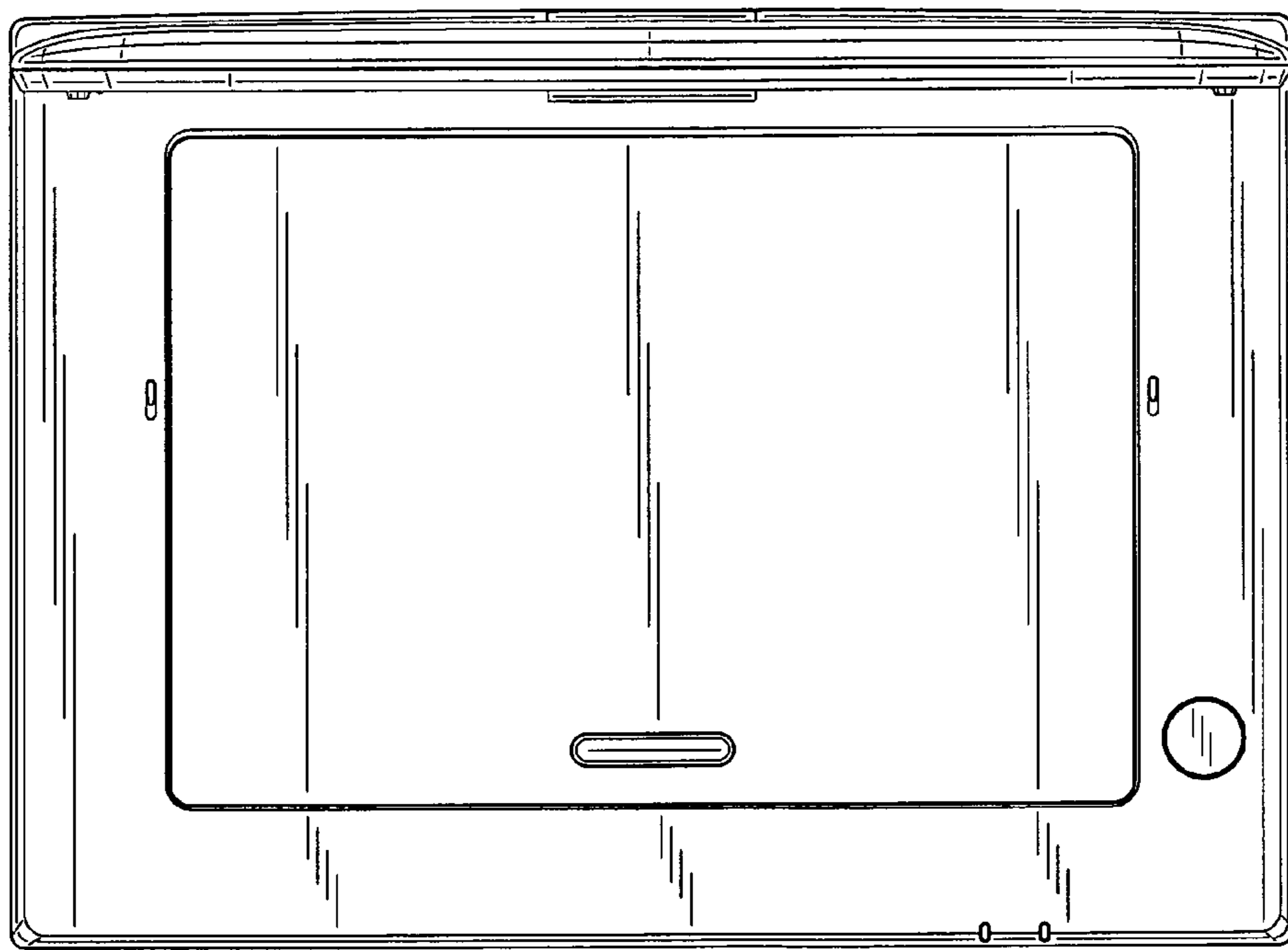


FIG.14

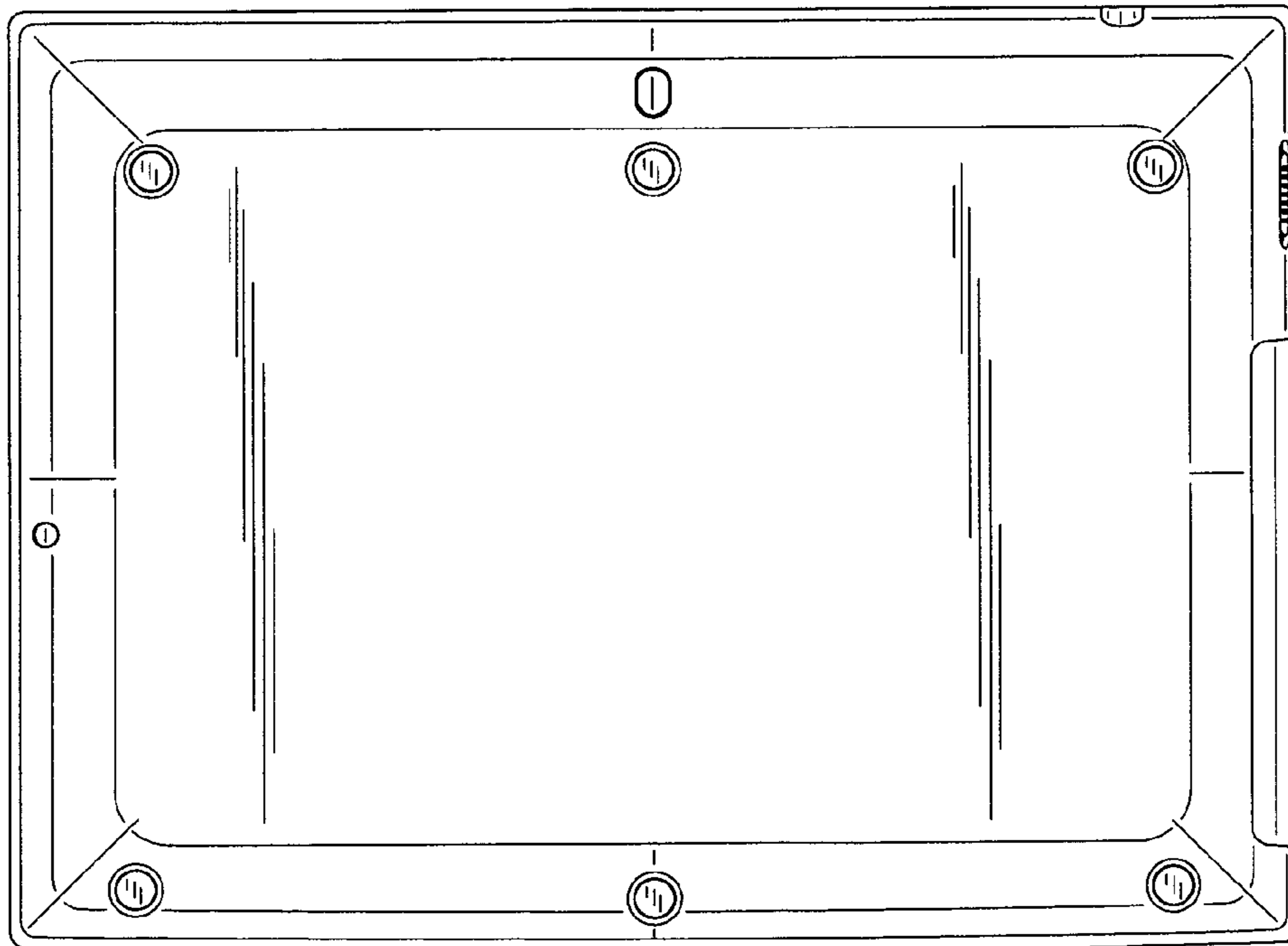


FIG.15

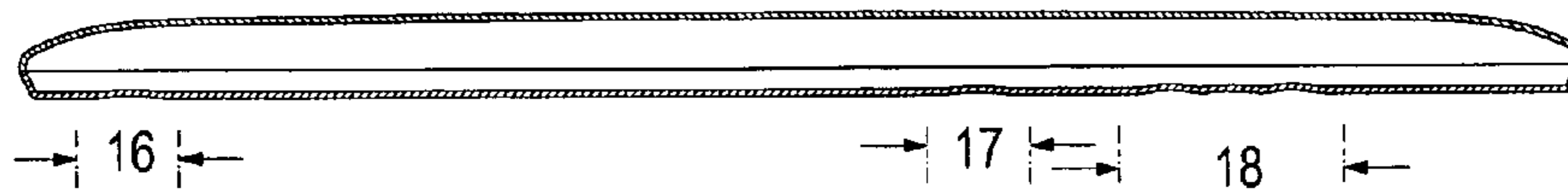


FIG.16

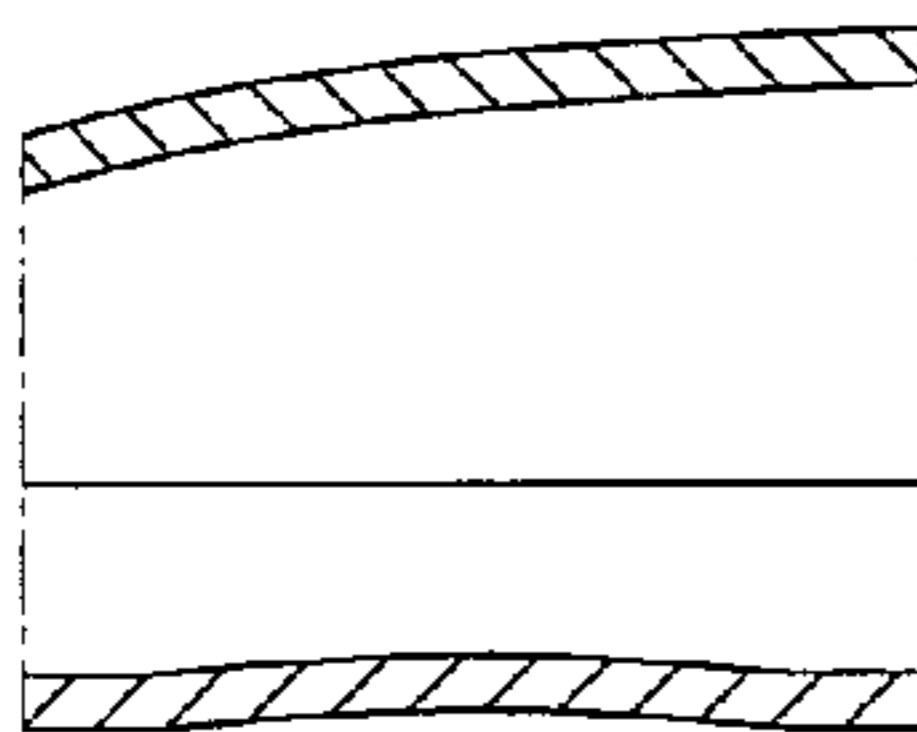


FIG.17

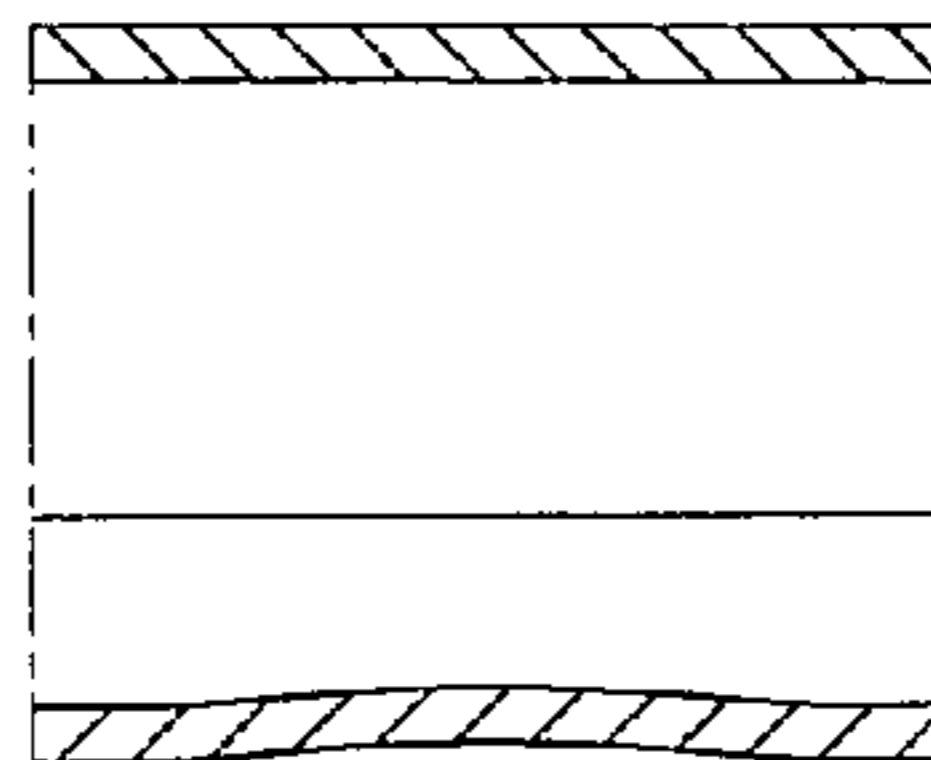


FIG.18

