



US00D681574S

(12) **United States Design Patent**
Buxton

(10) **Patent No.:** **US D681,574 S**

(45) **Date of Patent:** **** May 7, 2013**

(54) **TRANSFORMER SWITCH TIE DOWN**

(76) Inventor: **Rex Buxton**, Lake Elsinore, CA (US)

(**) Term: **14 Years**

(21) Appl. No.: **29/385,871**

(22) Filed: **Feb. 22, 2011**

(51) **LOC (9) Cl.** **13-03**

(52) **U.S. Cl.**
USPC **D13/199**

(58) **Field of Classification Search** D13/173,
D13/199; D8/394; D12/106; 24/68 CD;
52/166, 698; 248/49, 499; 280/457; 296/167;
410/100; 405/184.4

See application file for complete search history.

(56) **References Cited**

U.S. PATENT DOCUMENTS

3,819,847	A	6/1974	Charles	
4,192,524	A	3/1980	Twiestmeyer	
D313,588	S *	1/1991	Gecchelin	D13/154
5,230,295	A *	7/1993	Shell	114/218
5,396,210	A	3/1995	Purohit et al.	
5,513,483	A	5/1996	Tipton et al.	
5,683,203	A	11/1997	Anderson et al.	
5,769,191	A *	6/1998	Cole et al.	188/321.11
6,076,326	A *	6/2000	Gutelius et al.	52/698
6,336,892	B1 *	1/2002	Squibb	482/23
7,219,951	B2 *	5/2007	Rasmussen	296/156

7,651,304	B1	1/2010	Godin et al.	
2007/0039279	A1 *	2/2007	Zambelli et al.	52/698
2011/0023771	A1 *	2/2011	Hawkins, Sr.	114/364

* cited by examiner

Primary Examiner — Selina Sikder

(74) *Attorney, Agent, or Firm* — Kirk A. Buhler; Buhler & Associates

(57) **CLAIM**

The ornamental design for a transformer switch tie down, as shown and described.

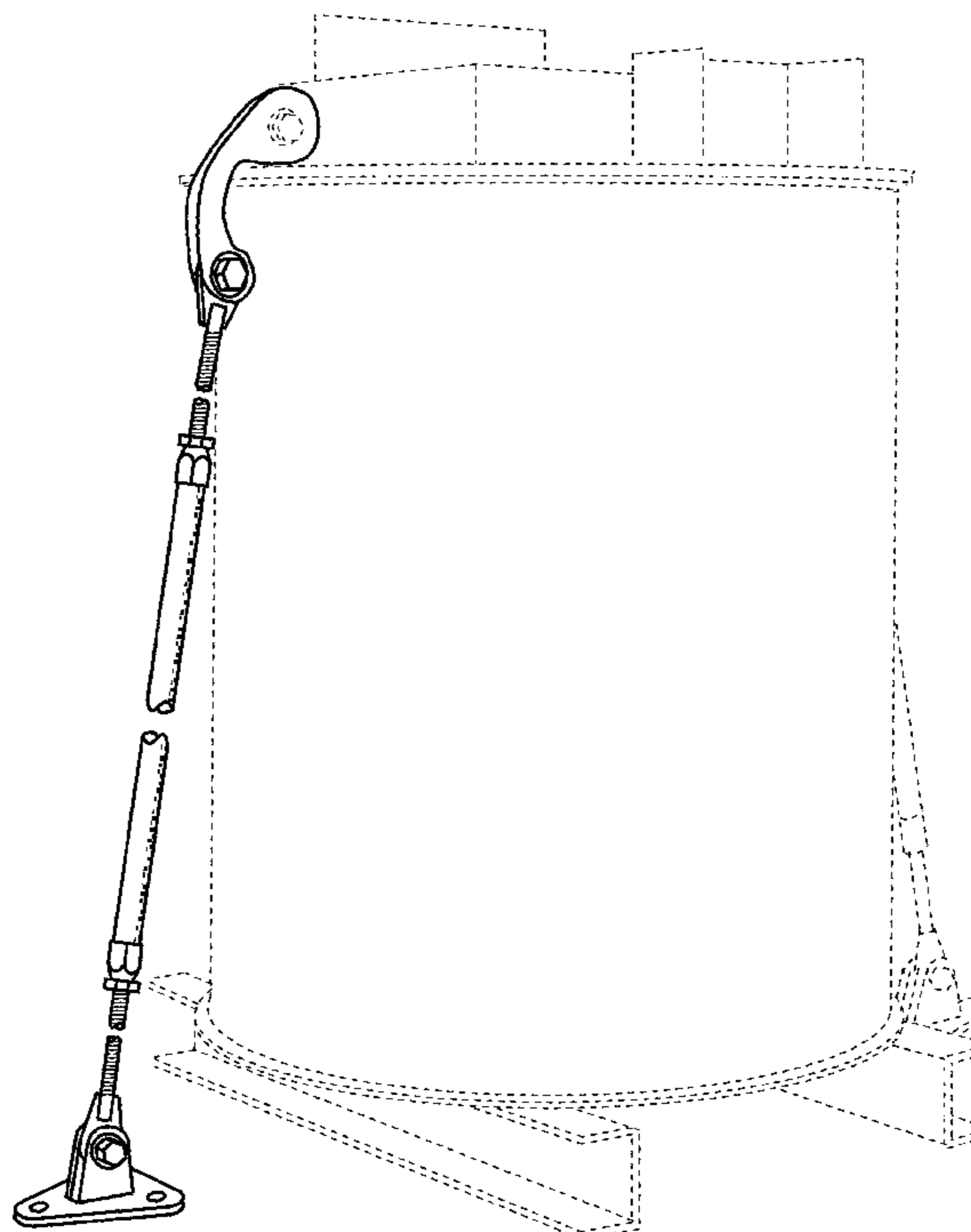
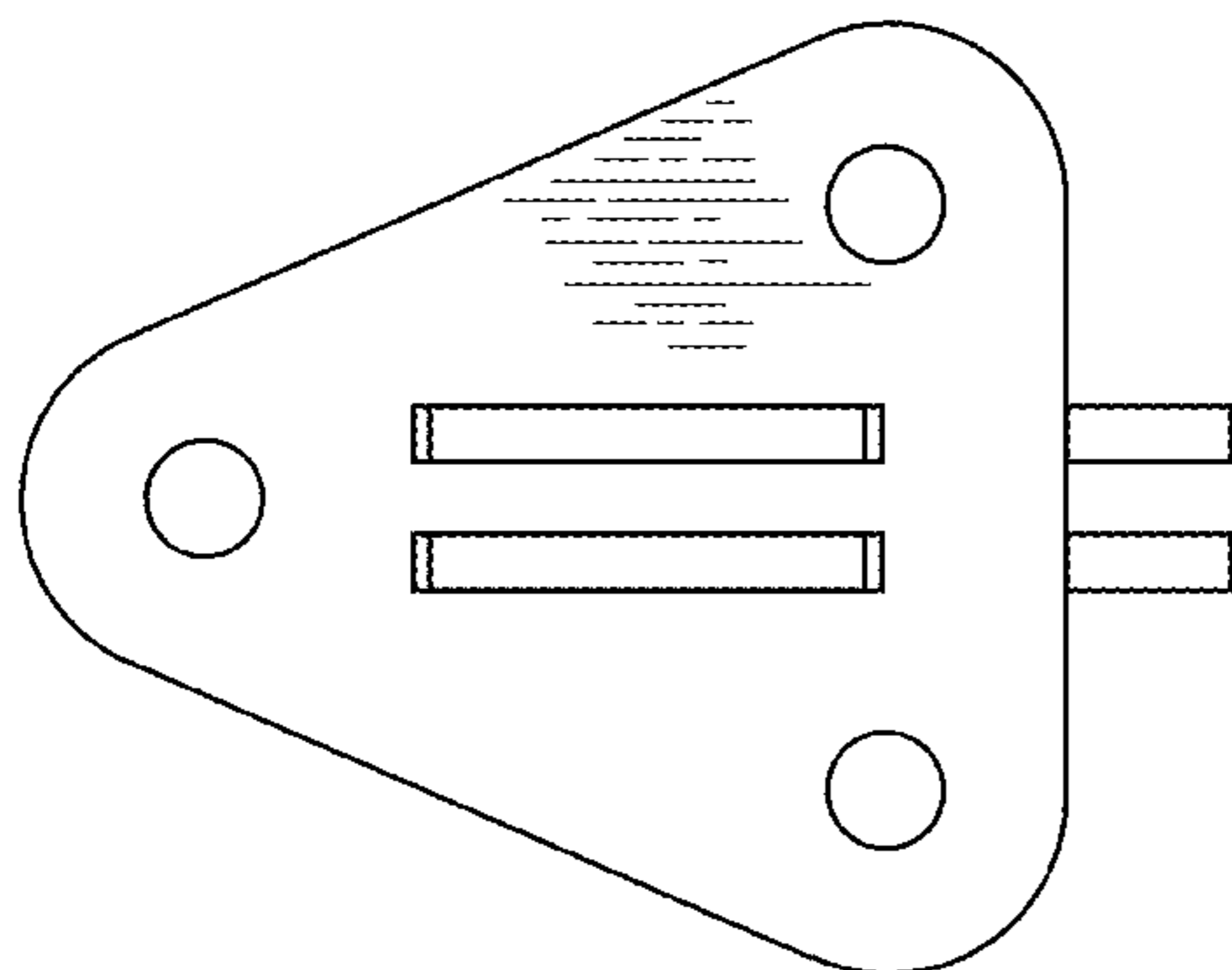
DESCRIPTION

FIG. 1 is a top side view for a transformer switch tie down showing my new design;
FIG. 2 is a bottom side view thereof;
FIG. 3 is a left view thereof;
FIG. 4 is a front view thereof;
FIG. 5 is a right view thereof;
FIG. 6 is a back view thereof; and,
FIG. 7 is a perspective view thereof shown in an environment of use.

The transformer switch and secondary transformer switch tie down are shown as broken lines in FIG. 7 and is for the convenience of illustration and forms no part of the claimed design.

The turnbuckle is shown broken away in FIGS. 3-7 of the drawing to indicate indeterminate length, it being understood that it has a uniform shape and appearance through its length.

1 Claim, 4 Drawing Sheets



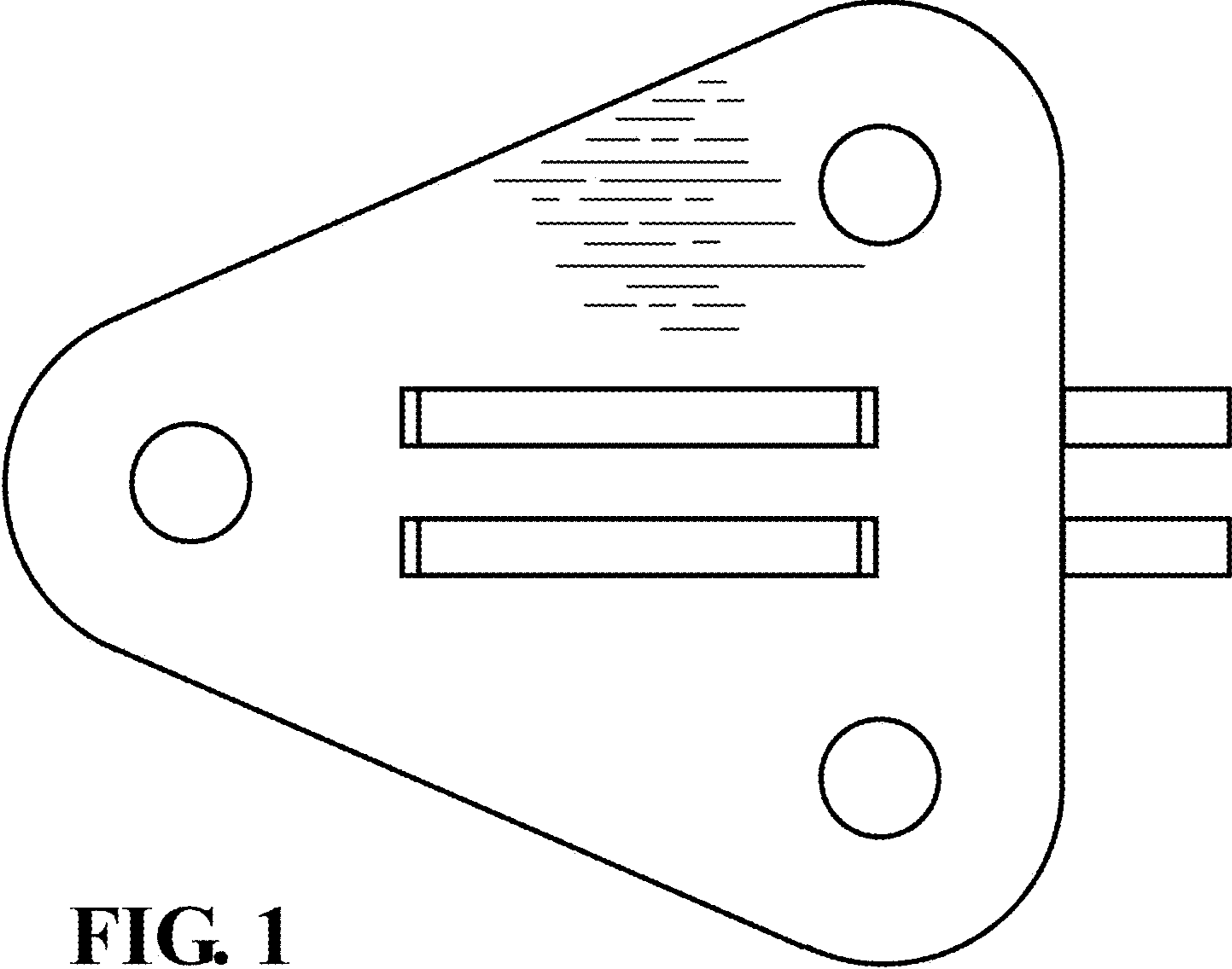


FIG. 1

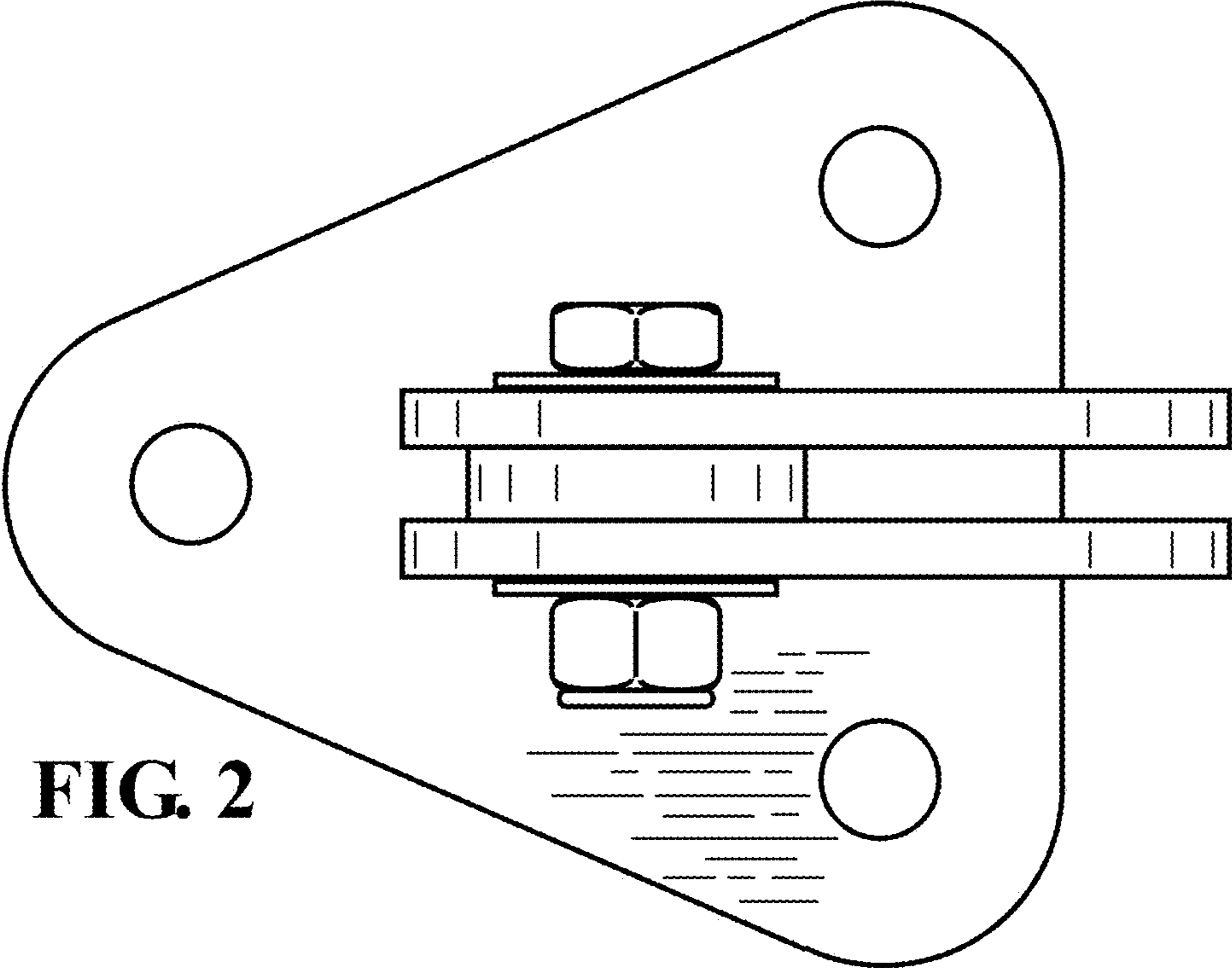


FIG. 2

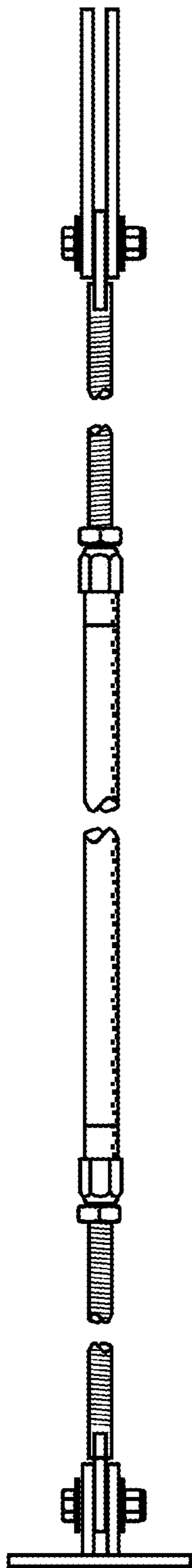


FIG. 3

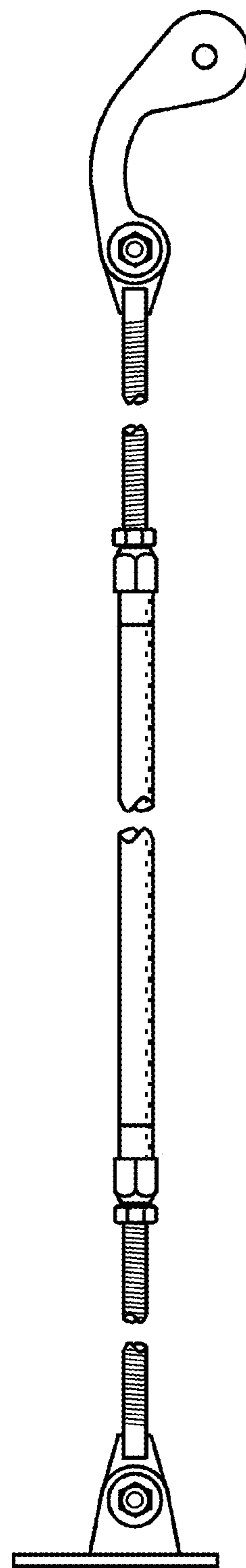


FIG. 4

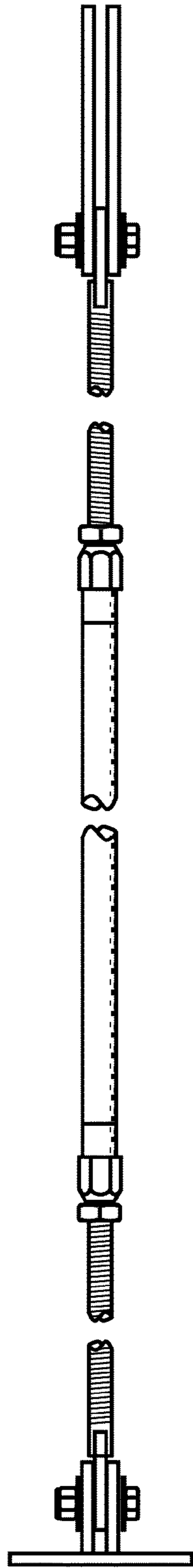


FIG. 5

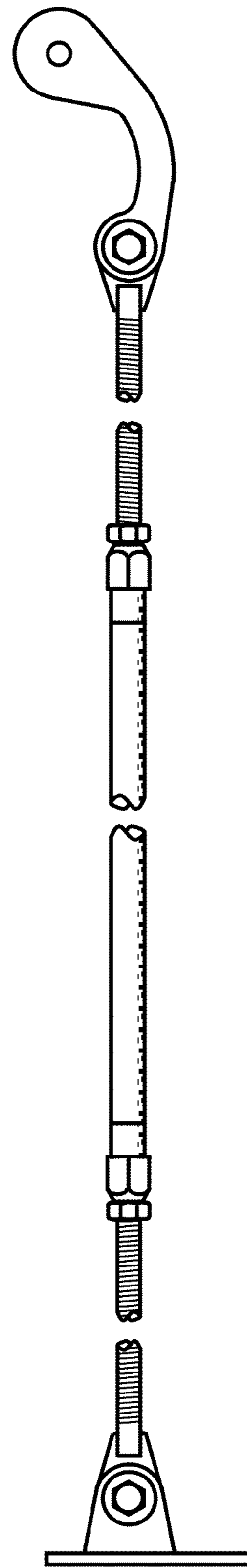


FIG. 6

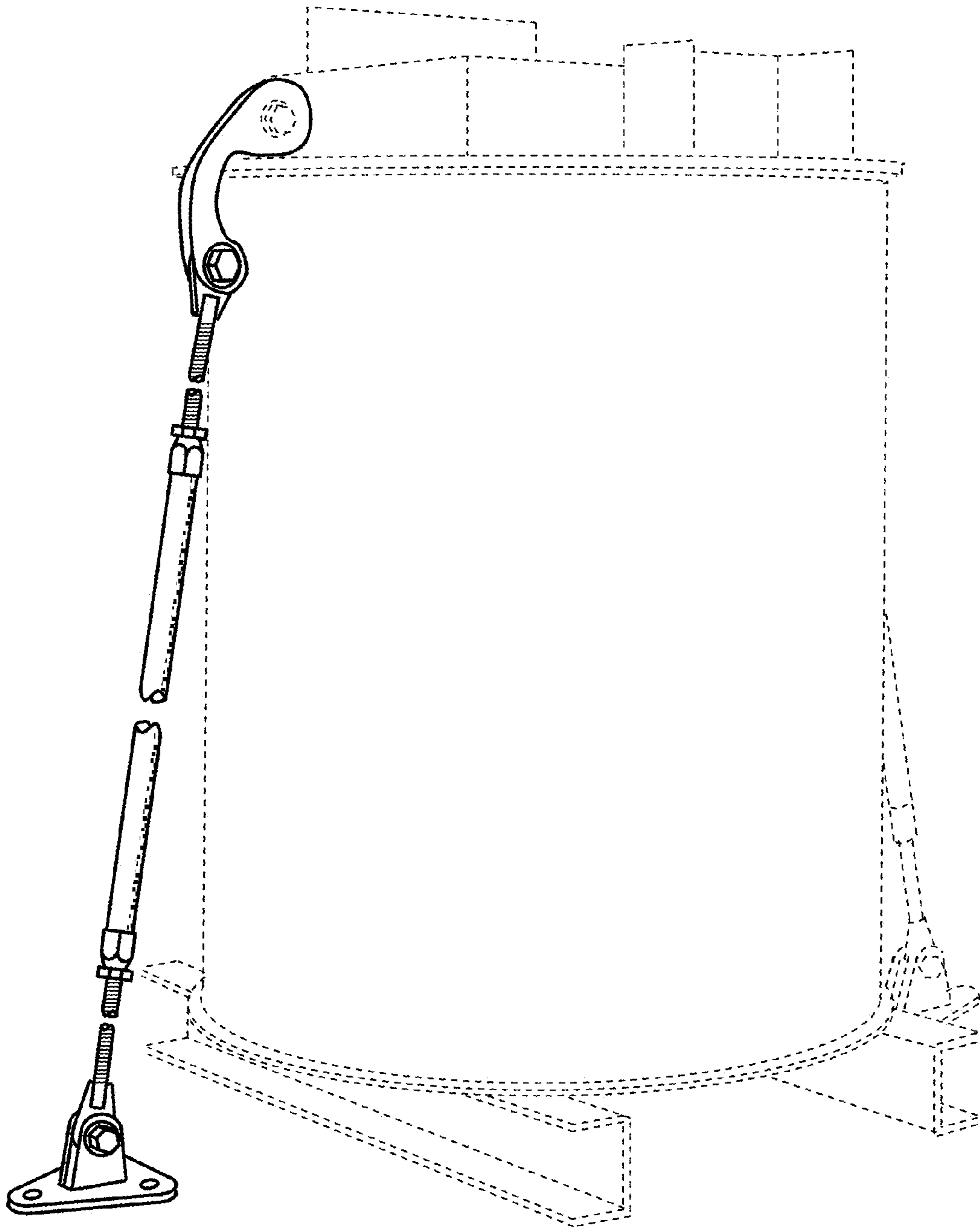


FIG. 7