



US00D681573S

(12) **United States Design Patent**
Andrews et al.

(10) **Patent No.:** **US D681,573 S**
(45) **Date of Patent:** **** May 7, 2013**

(54) **LAMP PACKAGE**

(75) Inventors: **Peter Andrews**, Durham, NC (US);
Nicholas W. Medendorp, Jr., Raleigh,
NC (US)

(73) Assignee: **Cree, Inc.**, Durham, NC (US)

(**) Term: **14 Years**

(21) Appl. No.: **29/392,801**

(22) Filed: **May 26, 2011**

Related U.S. Application Data

(60) Continuation of application No. 29/328,924, filed on
Dec. 4, 2008, now Pat. No. Des. 640,645, which is a
division of application No. 29/248,311, filed on Aug.
9, 2006, now Pat. No. Des. 591,697.

(51) **LOC (9) Cl.** **13-99**

(52) **U.S. Cl.**
USPC **D13/182; D26/1**

(58) **Field of Classification Search** D26/1,
D26/24, 26, 37, 51-52, 60, 72; D10/109,
D10/111, 113-114, 114.5-114.8; 362/125,
362/154, 157-159, 182, 184-186, 194, 555,
362/641-642, 646, 652, 655-656, 800;
D13/180-182; D16/200, 203

See application file for complete search history.

(56) **References Cited**

U.S. PATENT DOCUMENTS

D158,742 S 5/1950 Gosswiller
3,750,192 A 8/1973 Beresic
4,394,716 A 7/1983 Campagna et al.
D325,212 S 4/1992 Elberbaum

(Continued)

FOREIGN PATENT DOCUMENTS

TW 160799 11/1979
TW 171255 5/1980
TW 352241 5/1987

OTHER PUBLICATIONS

Cree introduces its first packaged LED product, LEDs Magazine,
Oct. 2004, pp. 1-2.

(Continued)

Primary Examiner — Wan Laymon

(74) *Attorney, Agent, or Firm* — Myers Bigel Sibley &
Sajovec

(57) **CLAIM**

The ornamental design for a lamp package, as shown and
described.

DESCRIPTION

FIG. 1 is a top perspective view of the lamp package showing
our design;

FIG. 2 is a bottom perspective view thereof;

FIG. 3 is a top view thereof, shown at an enlarged scale;

FIG. 4 is a bottom view thereof;

FIG. 5 is a side elevation view thereof, shown at an enlarged
scale;

FIG. 6 is an front elevation view thereof;

FIG. 7 is a top perspective view of another embodiment of the
lamp package showing our design;

FIG. 8 is a bottom perspective view thereof;

FIG. 9 is a top view thereof, shown at an enlarged scale;

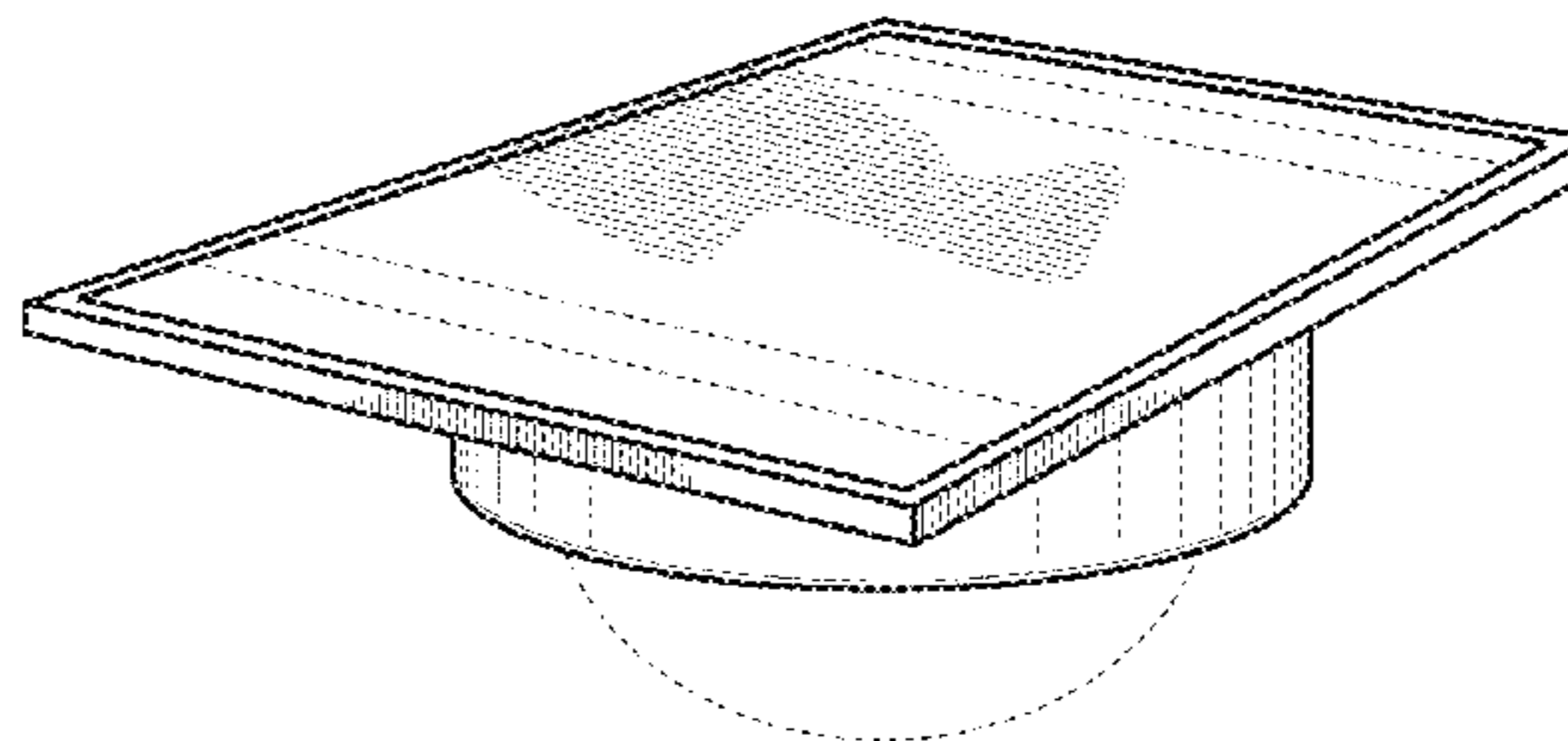
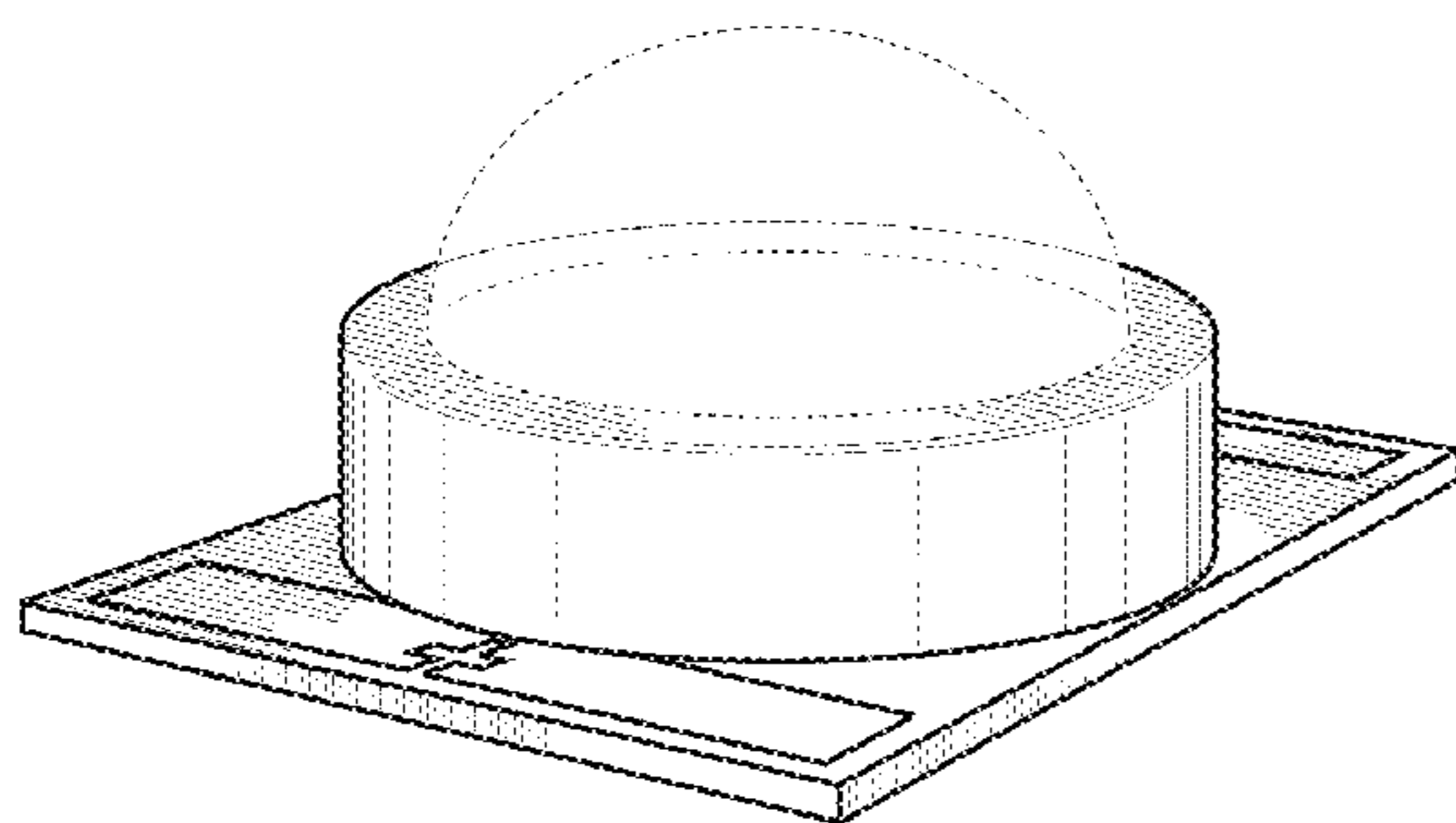
FIG. 10 is a bottom view thereof;

FIG. 11 is a side view thereof, shown at an enlarged scale;
and,

FIG. 12 is an front elevation view thereof.

The broken lines shown herein are for illustrative purposes
only and form no part of the claimed design. The illustrated
device is not limited to the scale shown.

1 Claim, 6 Drawing Sheets



US D681,573 S

U.S. PATENT DOCUMENTS

D350,409	S	9/1994	Johnson et al.	
D412,924	S	8/1999	Hiraguchi	
D416,273	S	11/1999	Yamakawa et al.	
6,061,160	A *	5/2000	Maruyama 362/800
D443,713	S	6/2001	Benensohn	
D465,599	S	11/2002	Thompson	
6,488,386	B1	12/2002	Yan	
D473,888	S	4/2003	Jones et al.	
6,541,800	B2	4/2003	Barnett et al.	
D491,898	S	6/2004	Kamada	
D497,927	S	11/2004	Arbuckle et al.	
D524,260	S	7/2006	Ishizaki et al.	
7,081,644	B2	7/2006	Flaherty et al.	
D534,504	S	1/2007	Kim et al.	
D544,618	S	6/2007	Coushaine	
D555,111	S	11/2007	Yen	
D556,236	S	11/2007	Kim	
D560,244	S	1/2008	Naruki	
D564,557	S	3/2008	Yamamoto et al.	
D572,670	S *	7/2008	Ono et al. D13/180
D572,671	S *	7/2008	Okada et al. D13/180
D576,574	S	9/2008	Kobayakawa	
D579,424	S	10/2008	Kim et al.	
D584,756	S	1/2009	Yamakawa	
D591,697	S	5/2009	Andrews et al.	
D592,162	S	5/2009	Sugimoto et al.	
D592,615	S	5/2009	Imai et al.	
D593,043	S *	5/2009	Song D13/180
D593,224	S	5/2009	Hanley	
D593,229	S	5/2009	Hanley	
D594,048	S	6/2009	Yamakawa	
D598,579	S	8/2009	Hanley	
7,618,163	B2	11/2009	Wilcox	
D607,600	S	1/2010	Keith	
7,652,303	B2	1/2010	Galli	
D618,383	S	6/2010	Zhang et al.	
D618,635	S *	6/2010	Imai et al. D13/180

D618,636	S	6/2010	Hsieh	
D619,753	S	7/2010	Zhang et al.	
D623,607	S *	9/2010	Andrews et al. D13/180
D631,020	S *	1/2011	Chuang et al. D13/180
D634,718	S *	3/2011	Chuang et al. D13/180
D640,645	S *	6/2011	Andrews et al. D13/182
D649,521	S *	11/2011	Lin D13/180
D650,343	S *	12/2011	Andrews et al. D13/180
D656,906	S *	4/2012	Leung D13/180
D662,902	S *	7/2012	Shieh et al. D13/180
D667,145	S *	9/2012	Bierhuizen et al. D26/1
D671,661	S *	11/2012	Leung D26/1
2004/0079957	A1	4/2004	Andrews et al.	
2004/0136197	A1	7/2004	Ishida	
2006/0108594	A1	5/2006	Iwasaki et al.	
2006/0267036	A1	11/2006	Lee et al.	
2007/0029570	A1	2/2007	Shin et al.	
2007/0205419	A1 *	9/2007	Ono et al. 257/79
2008/0001160	A1	1/2008	Andrews	
2008/0054286	A1	3/2008	Loh et al.	
2008/0230797	A1	9/2008	Chang et al.	
2009/0108281	A1 *	4/2009	Keller et al. 257/98
2010/0252851	A1 *	10/2010	Emerson et al. 257/98

OTHER PUBLICATIONS

Search Report for Patent Application No. 096300826.
Preliminary Notice of Reasons for Refusal for Design Application No. 2007-002963.
Translation of Preliminary Notice of Reasons for Refusal for Design Application No. 2007-002963.
Preliminary Notice of Reasons for Refusal for Design Application No. 2007-015113.
Translation of Preliminary Notice of Reasons for Refusal for Design Application No. 2007-015113.

* cited by examiner

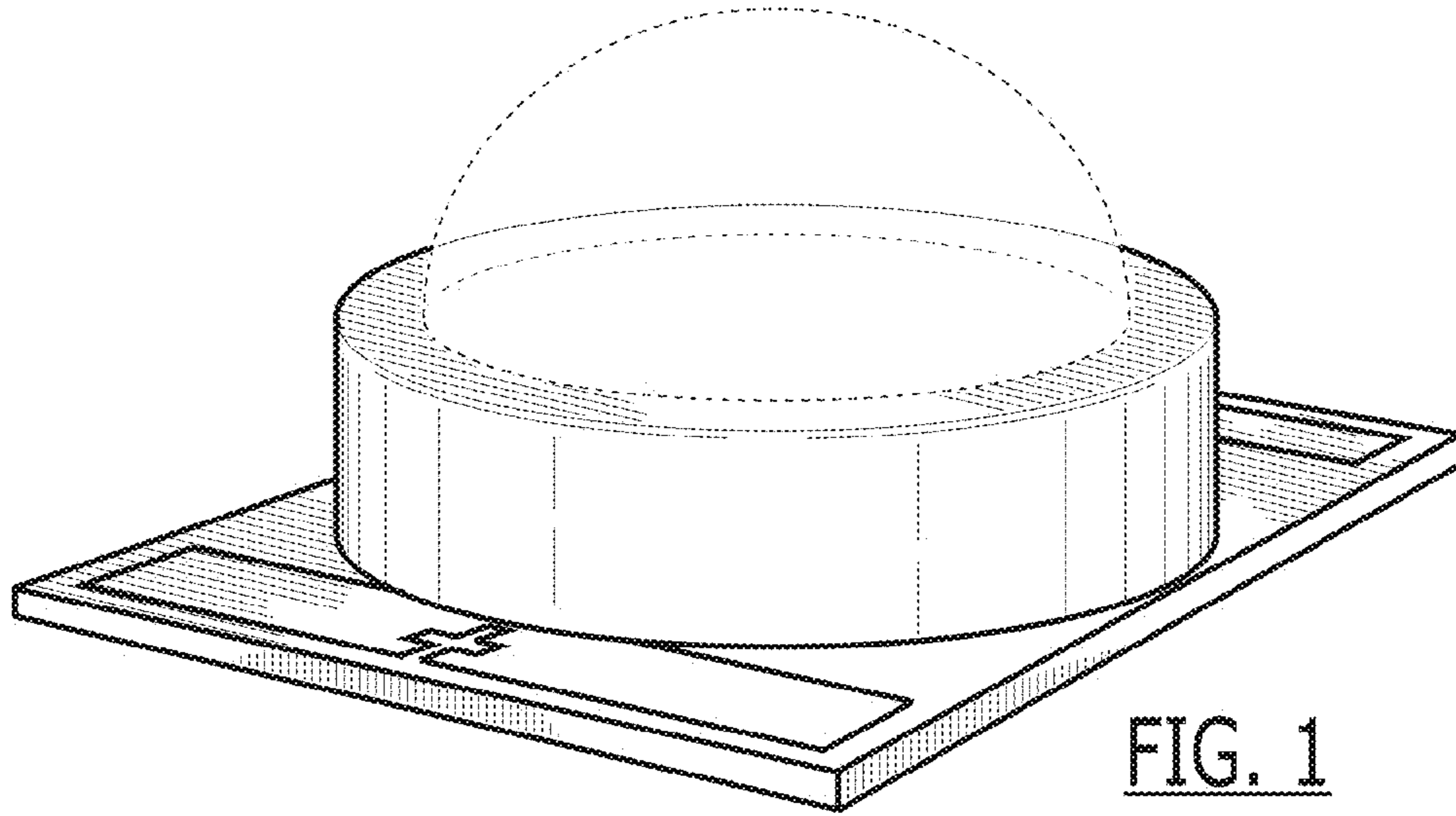


FIG. 1

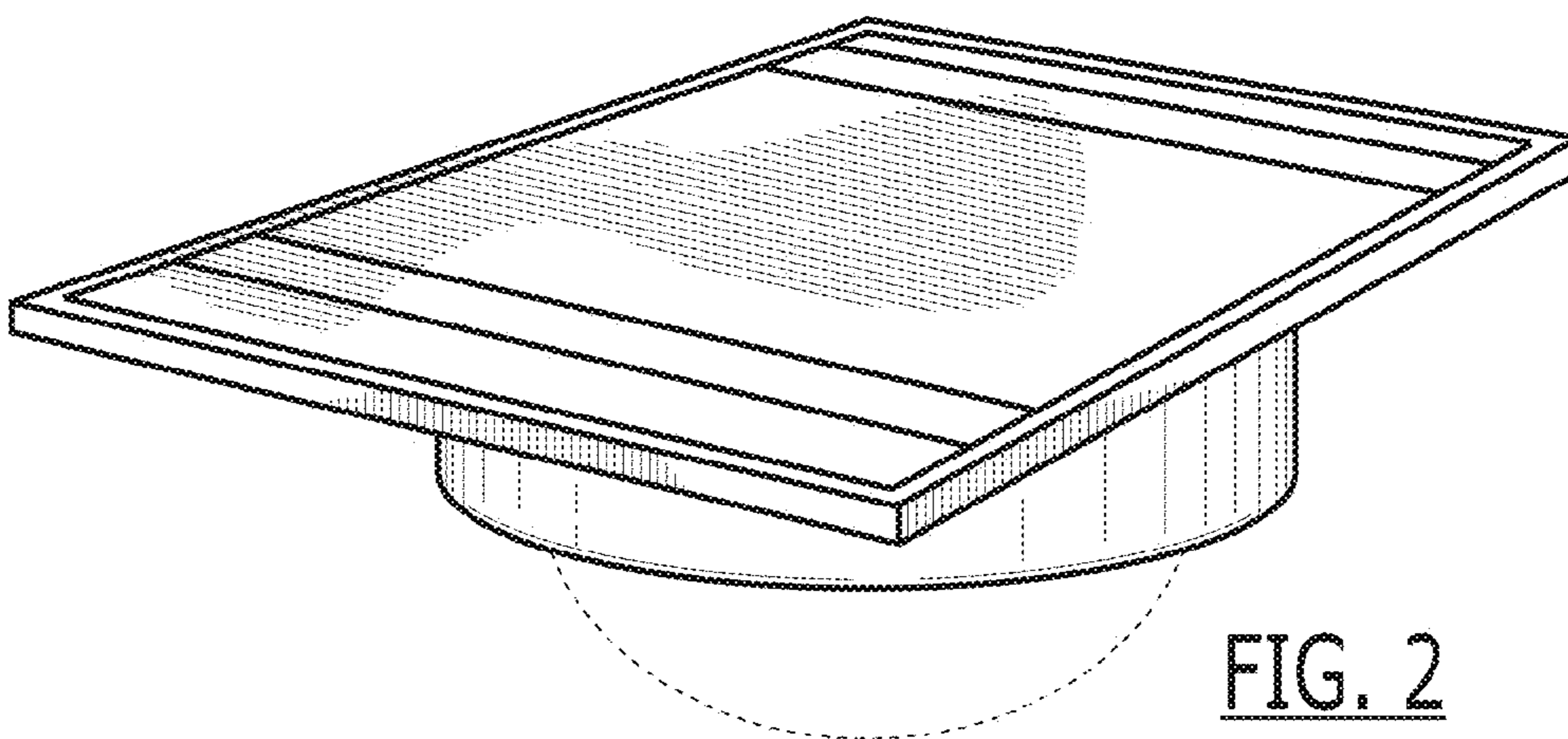


FIG. 2

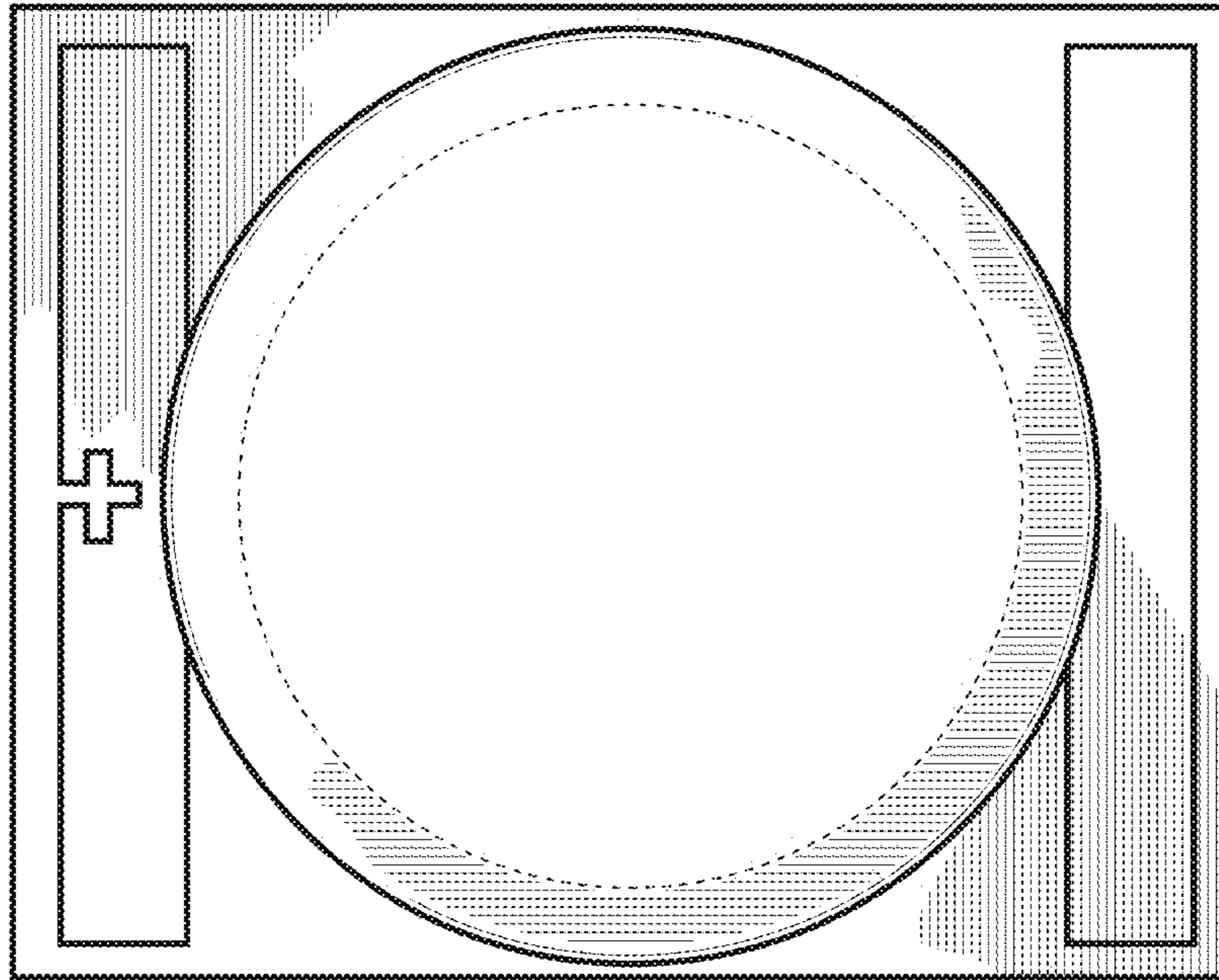


FIG. 3

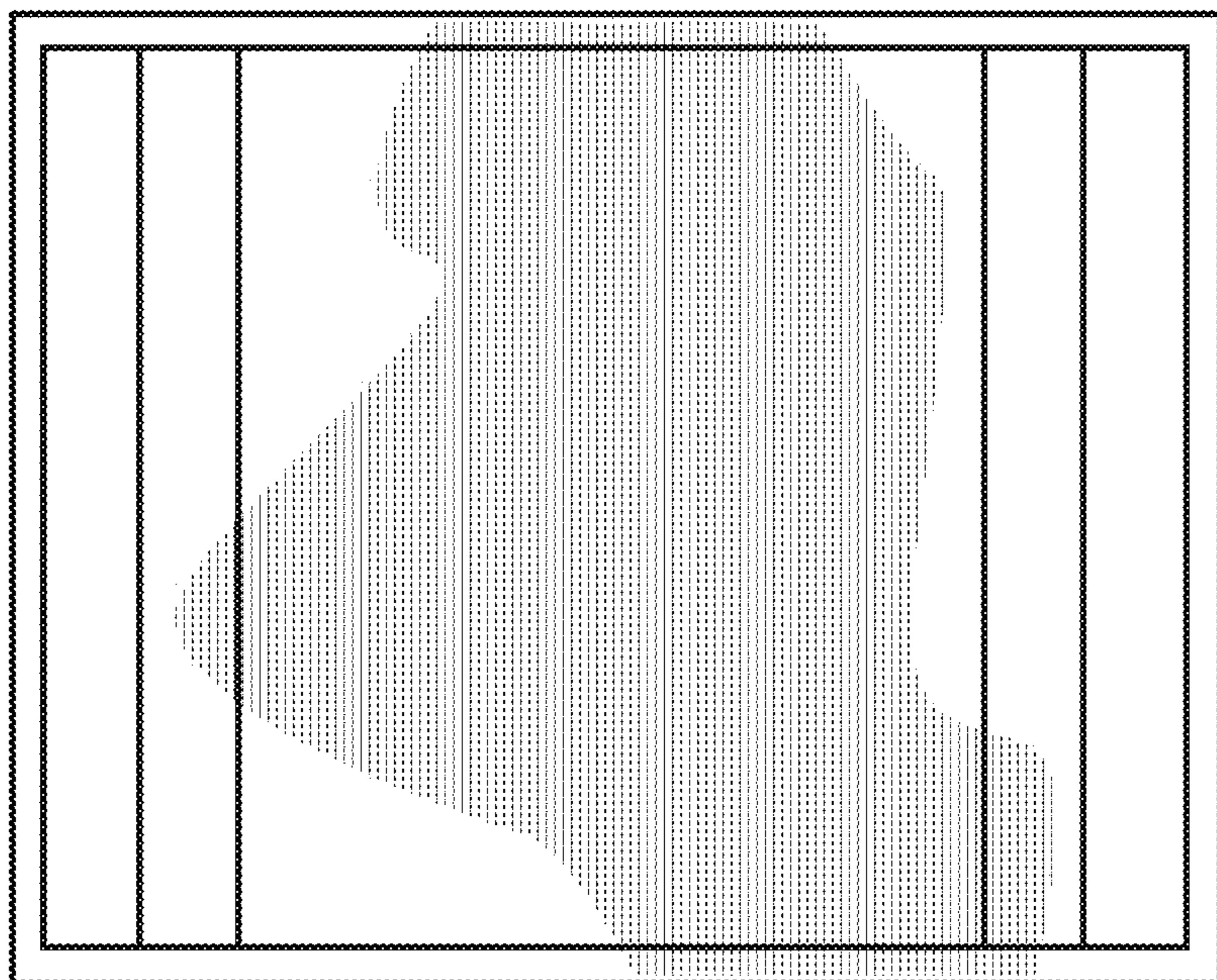


FIG. 4

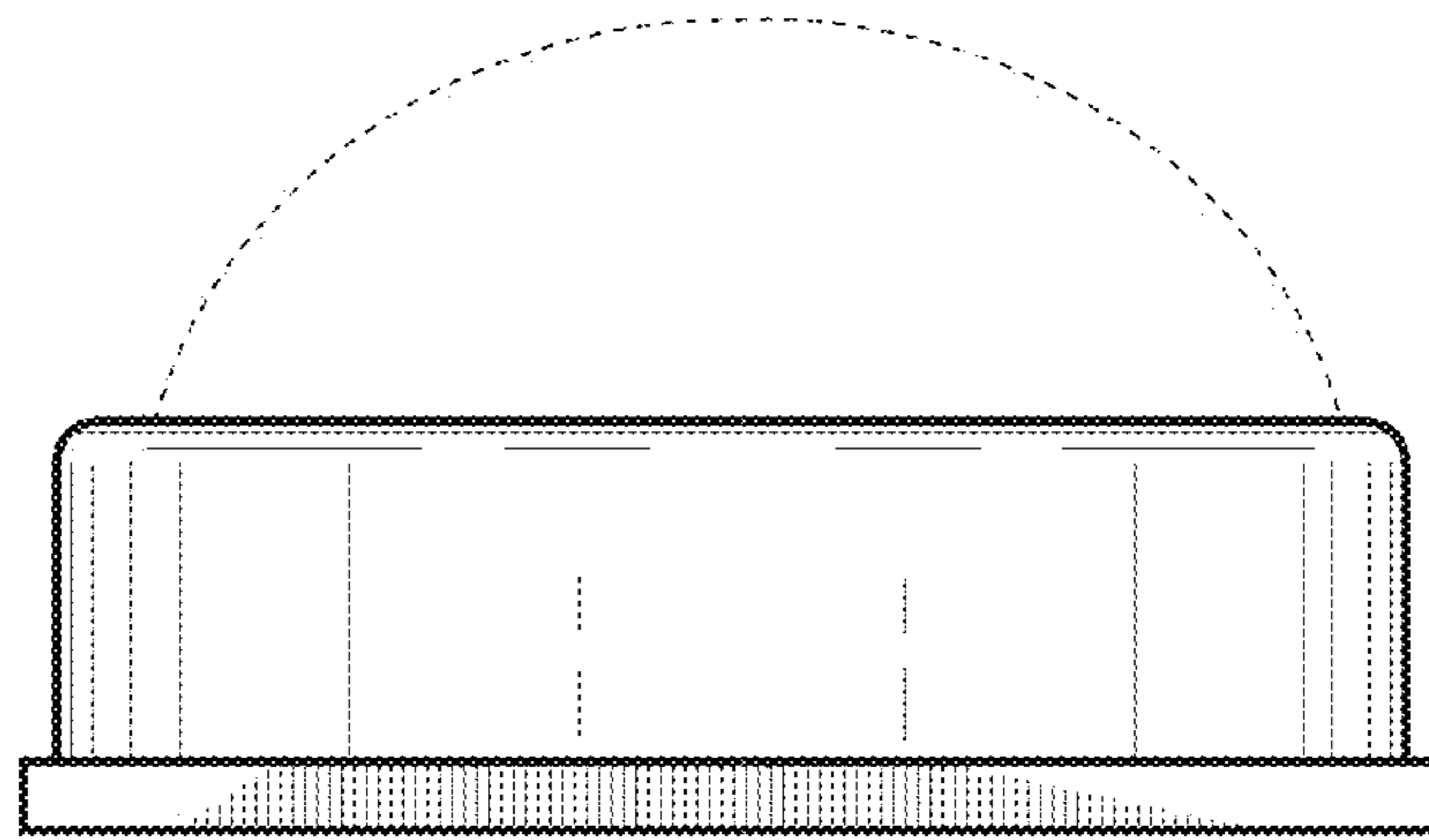


FIG. 5

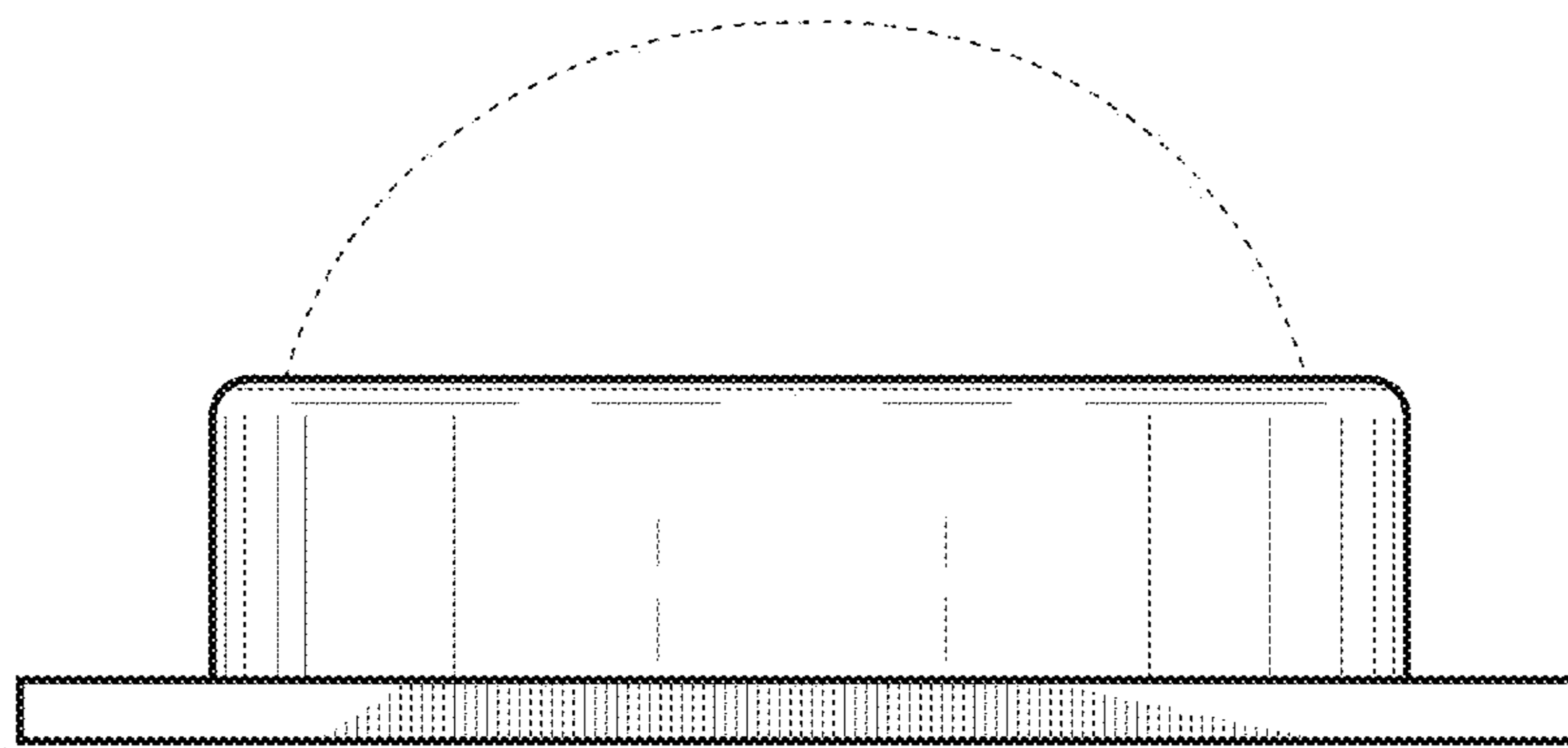


FIG. 6

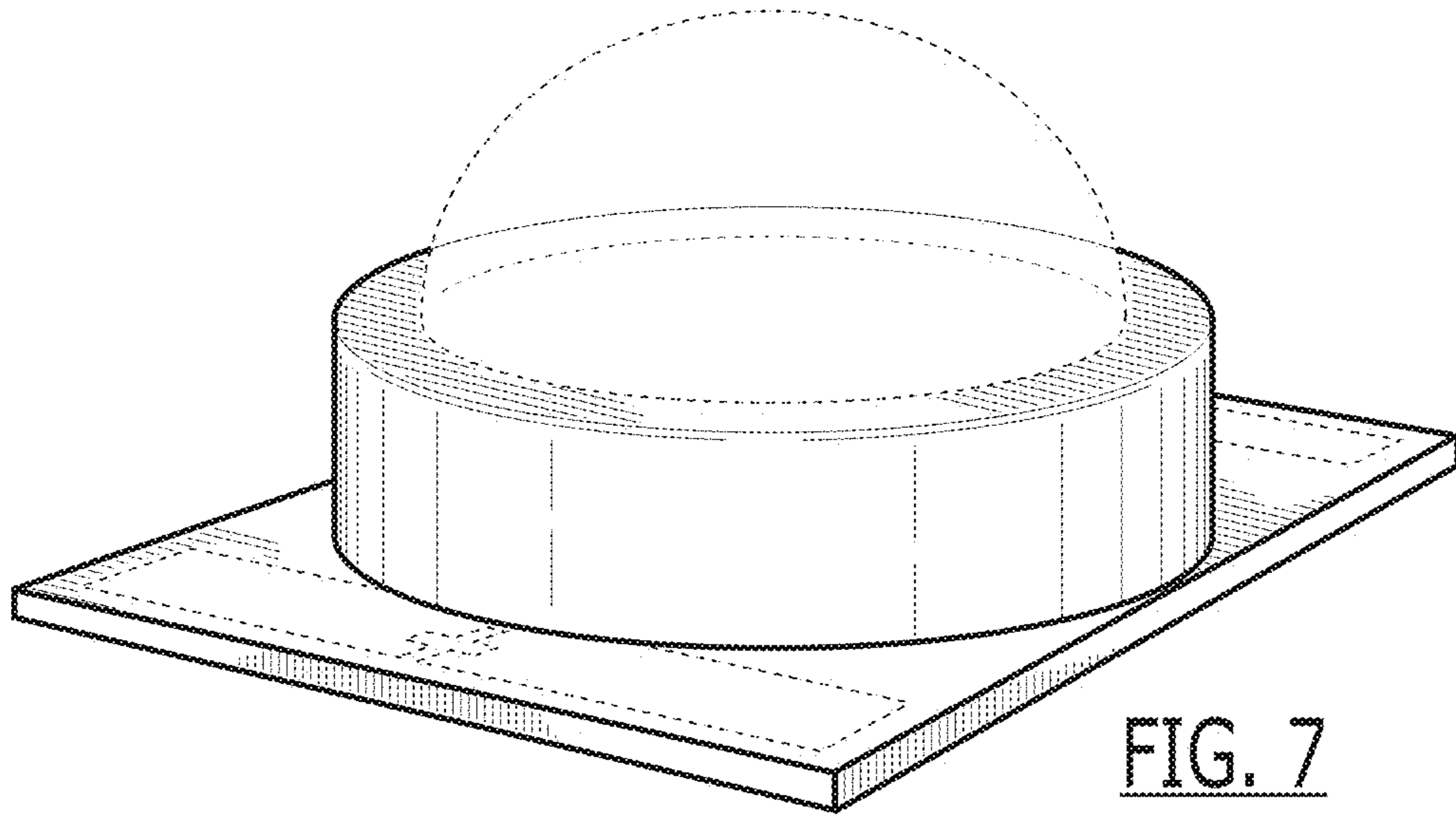


FIG. 7

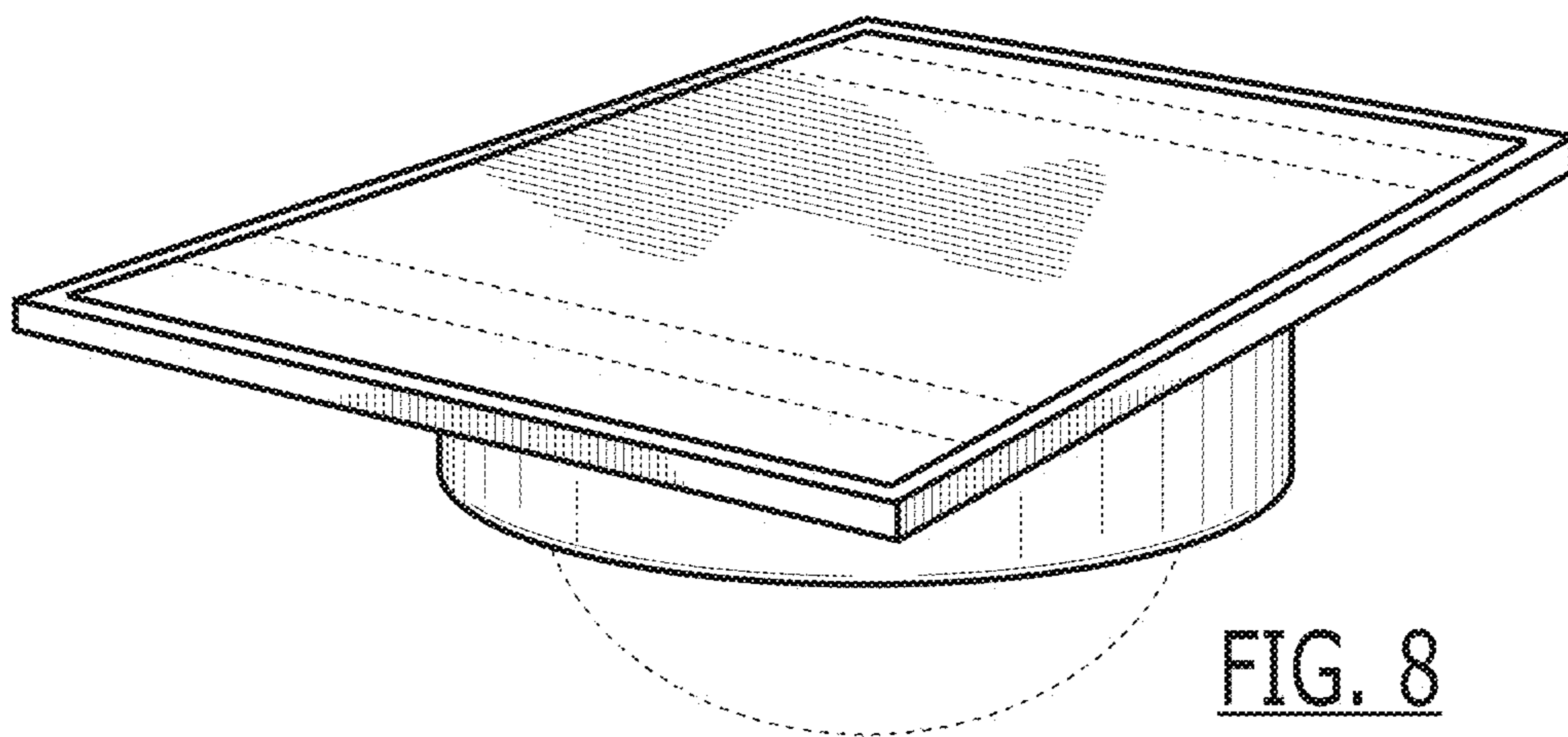


FIG. 8

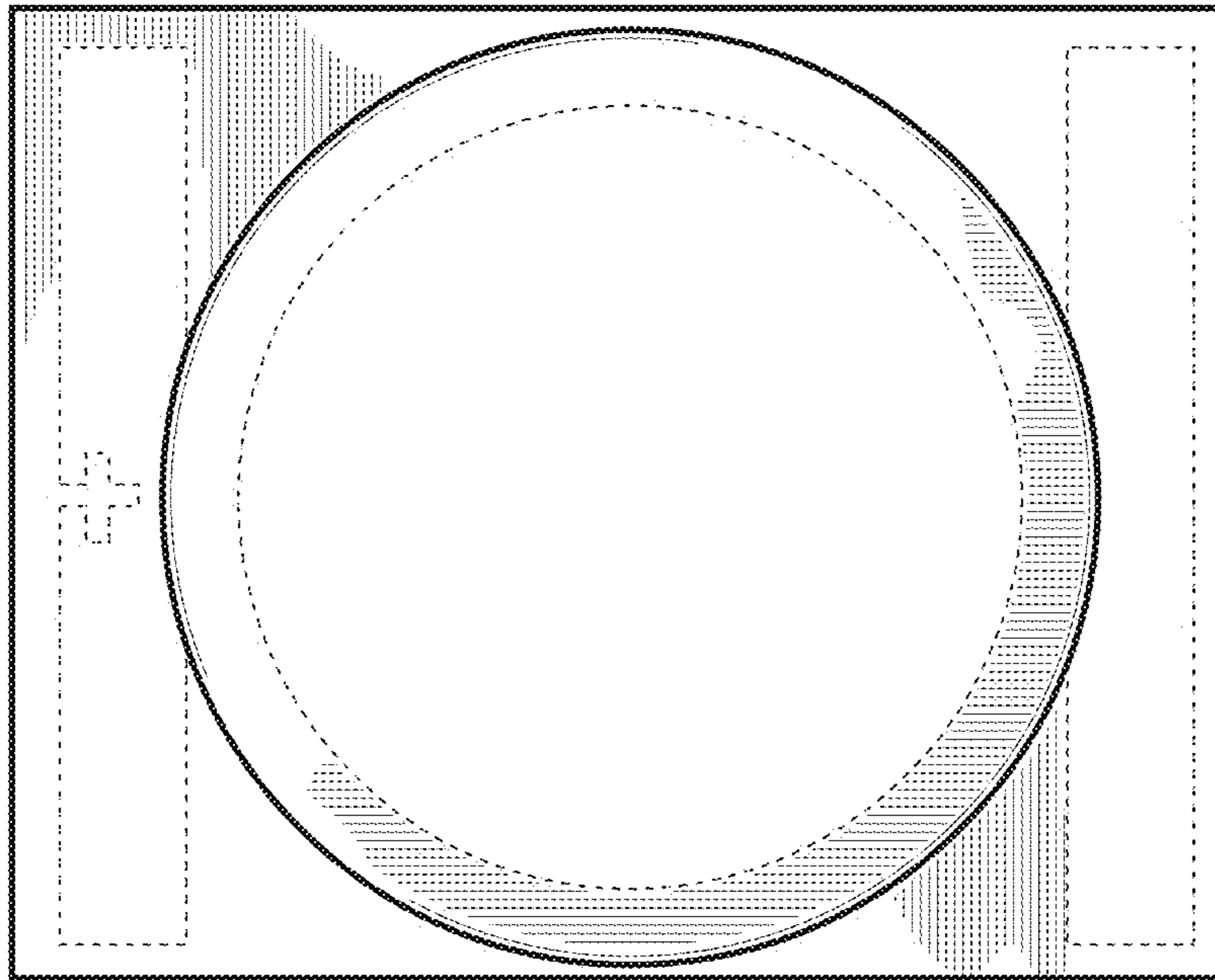


FIG. 9

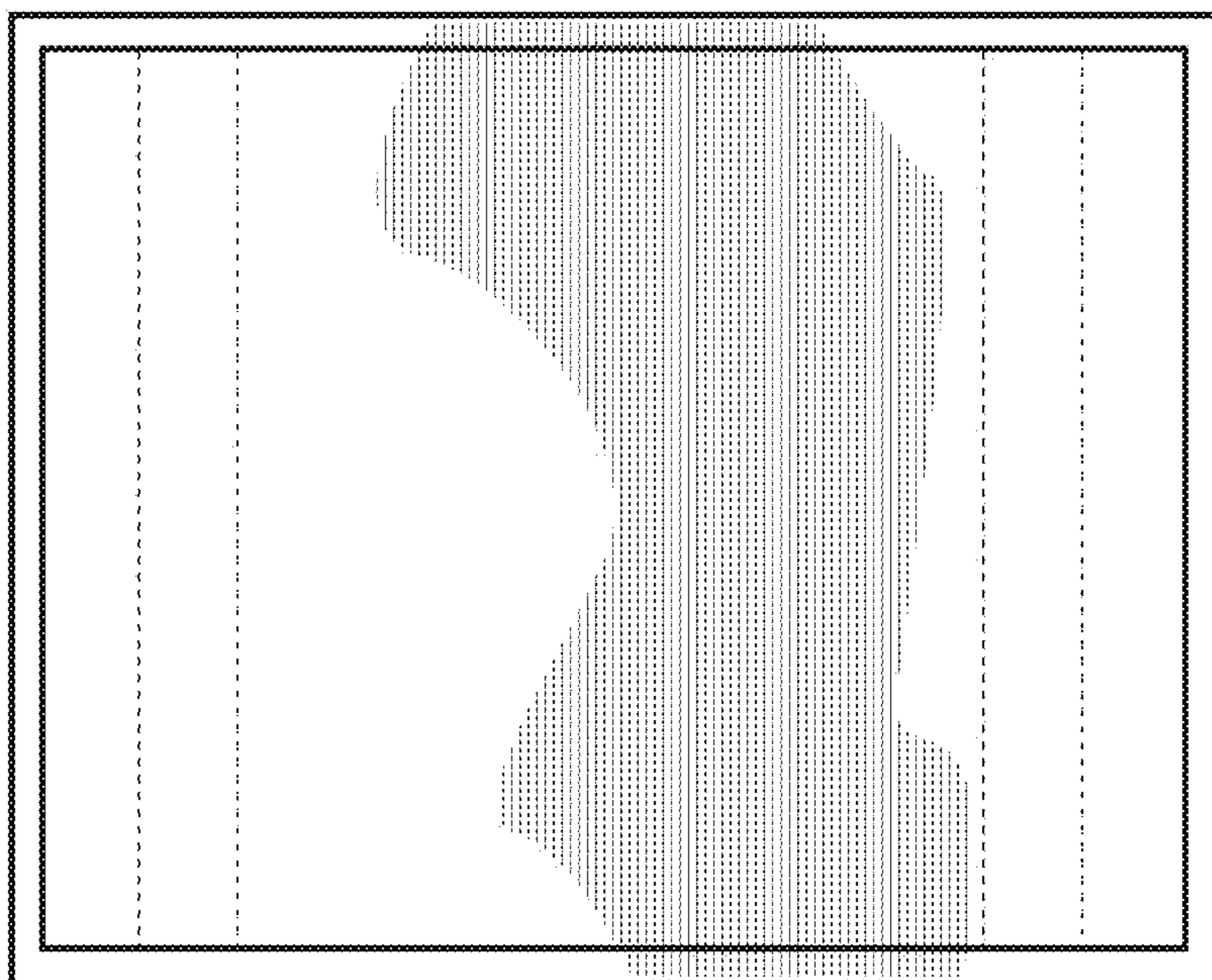


FIG. 10

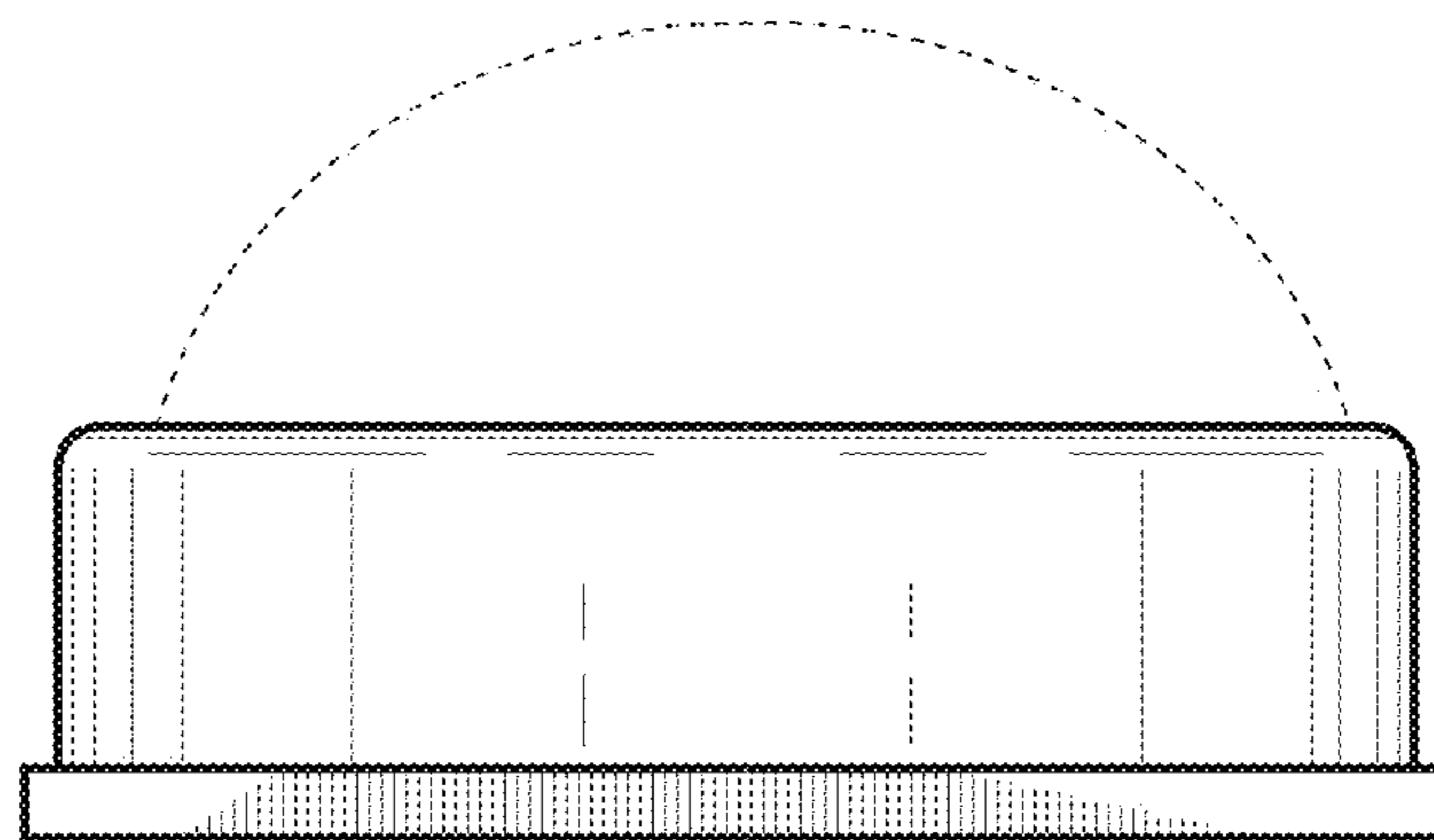


FIG. 11

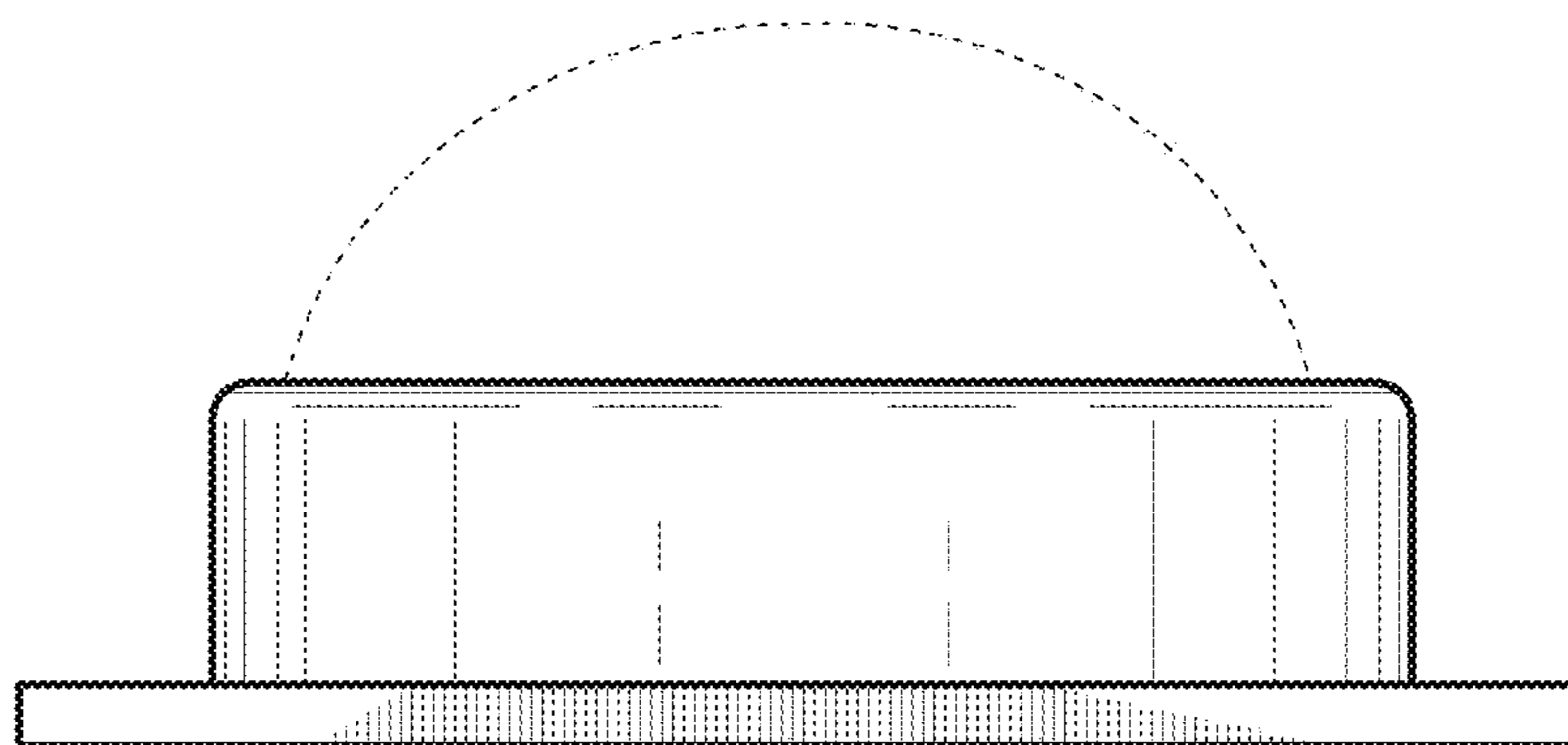


FIG. 12