



US00D681571S

(12) **United States Design Patent**
Omori et al.

(10) **Patent No.:** **US D681,571 S**

(45) **Date of Patent:** **** May 7, 2013**

(54) **ELECTRODE**

(75) Inventors: **Takafumi Omori**, Hikone (JP);
Takayuki Nakada, Hikone (JP);
Yuusuke Yamada, Hikone (JP);
Kentaro Kobayashi, Nishinomiya (JP)

(73) Assignee: **Panasonic Corporation**, Kadomi-shi (JP)

(**) Term: **14 Years**

(21) Appl. No.: **29/388,209**

(22) Filed: **Mar. 25, 2011**

(30) **Foreign Application Priority Data**

Sep. 29, 2010 (JP) 2010-023283

(51) **LOC (9) Cl.** **13-03**

(52) **U.S. Cl.**
USPC **D13/182**

(58) **Field of Classification Search** D13/182;
D21/386, 389; 239/690, 698; 273/239; 429/231.8;
600/391

See application file for complete search history.

(56) **References Cited**

U.S. PATENT DOCUMENTS

2,052,797	A *	9/1936	Read	273/288
3,794,326	A *	2/1974	Bialek	273/260
4,306,685	A *	12/1981	Coffee	239/690
4,326,720	A *	4/1982	Erlich	273/239
4,861,039	A *	8/1989	Phillips et al.	273/239
5,024,227	A *	6/1991	Schmid	600/391
5,332,229	A *	7/1994	Fielder et al.	273/271
5,354,321	A *	10/1994	Berger	607/75
7,346,380	B2 *	3/2008	Axelgaard et al.	600/391

8,056,839	B2 *	11/2011	Uratani et al.	239/691
8,109,452	B2 *	2/2012	Akisada et al.	239/698
8,191,805	B2 *	6/2012	Nakada et al.	239/690
8,209,990	B2 *	7/2012	Nakada et al.	62/91
2009/0001200	A1 *	1/2009	Imahori et al.	239/700
2010/0243765	A1 *	9/2010	Uegaki et al.	239/690
2010/0243766	A1 *	9/2010	Suda et al.	239/690
2011/0006139	A1 *	1/2011	Masuda	239/690
2011/0031335	A1 *	2/2011	Hirai	239/690
2011/0073686	A1 *	3/2011	Uegaki et al.	239/690
2011/0240772	A1 *	10/2011	Nakano et al.	239/690
2011/0259980	A1 *	10/2011	Akisada et al.	239/690
2012/0067986	A1 *	3/2012	Kobayashi et al.	239/690
2012/0160940	A1 *	6/2012	Omori et al.	239/690
2012/0175440	A1 *	7/2012	Uegaki et al.	239/690

* cited by examiner

Primary Examiner — Selina Sikder

(74) *Attorney, Agent, or Firm* — Marvin A. Motsenbocker; Mots Law, PLLC

(57) **CLAIM**

The ornamental design for an electrode, as shown and described.

DESCRIPTION

FIG. 1 is a front perspective view of an electrode;
FIG. 2 is a front view thereof;
FIG. 3 is a right side view thereof;
FIG. 4 is a top plan view thereof;
FIG. 5 is a rear view thereof;
FIG. 6 is a bottom plan view thereof;
FIG. 7 is a left side view thereof; and,
FIG. 8 is a sectional view at cross-section 8-8 of FIG. 4.
The portions of the article in broken lines are shown for illustrative purposes only and form no part of the claimed design.

1 Claim, 8 Drawing Sheets

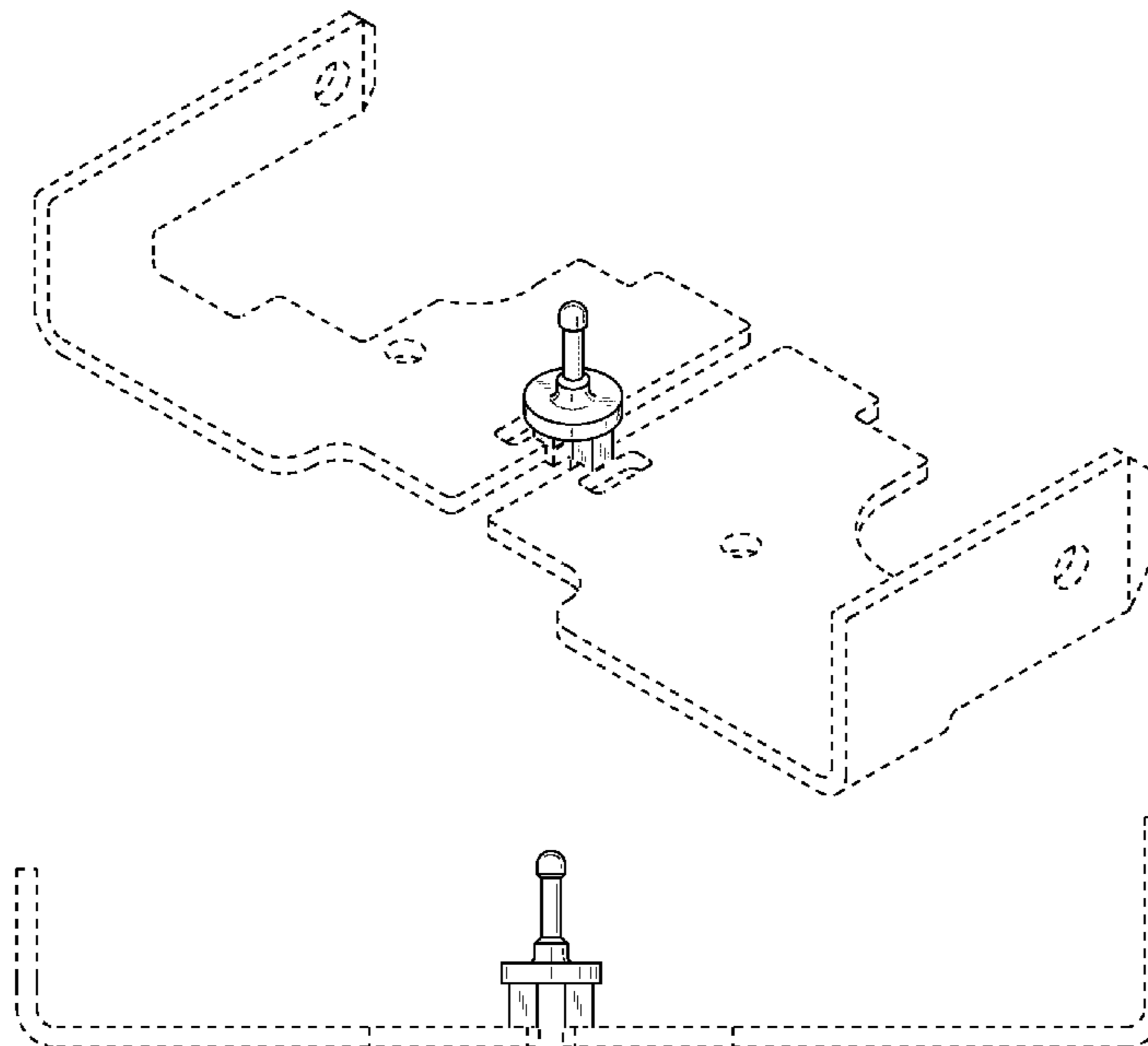


Fig. 1

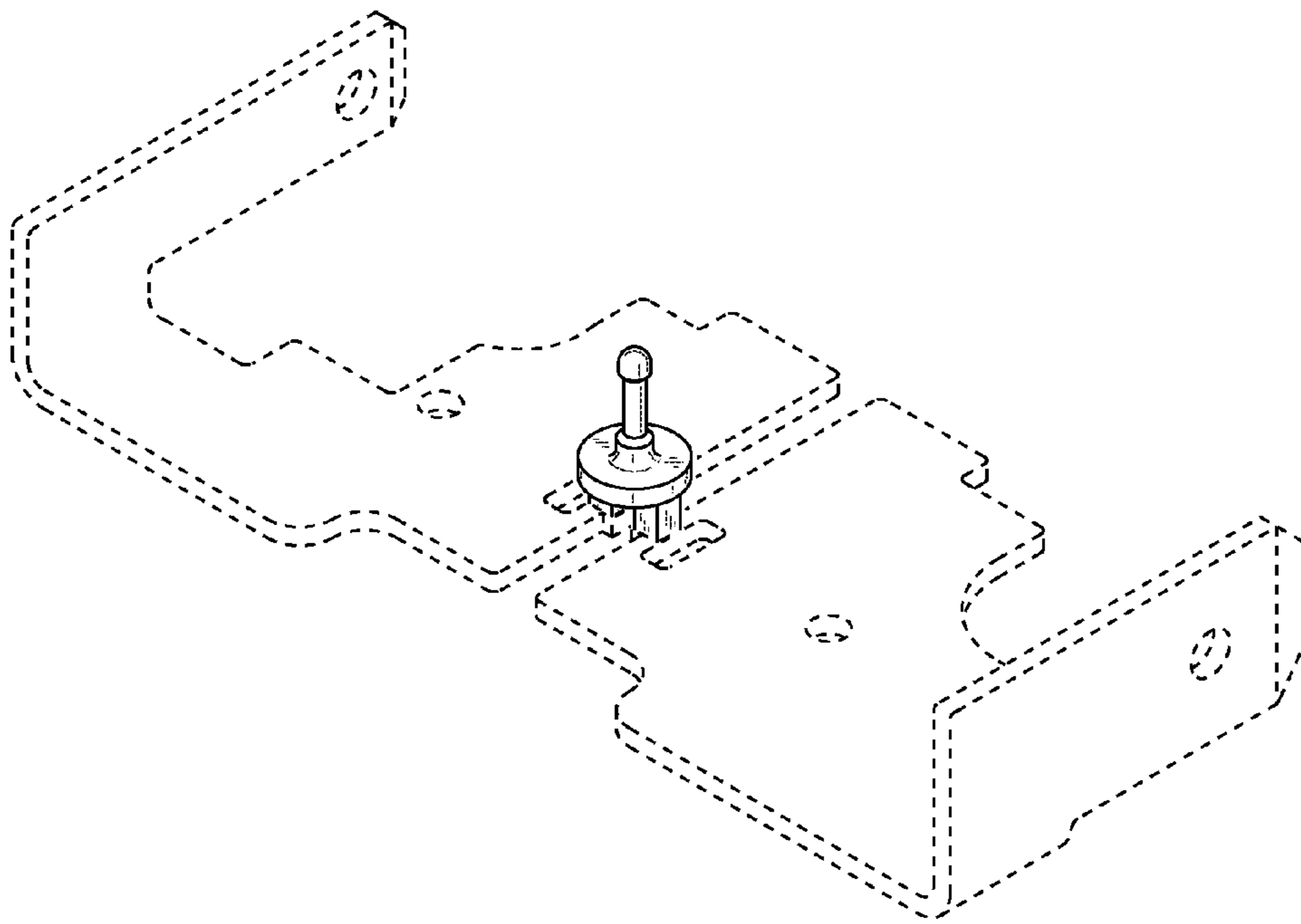


Fig.2

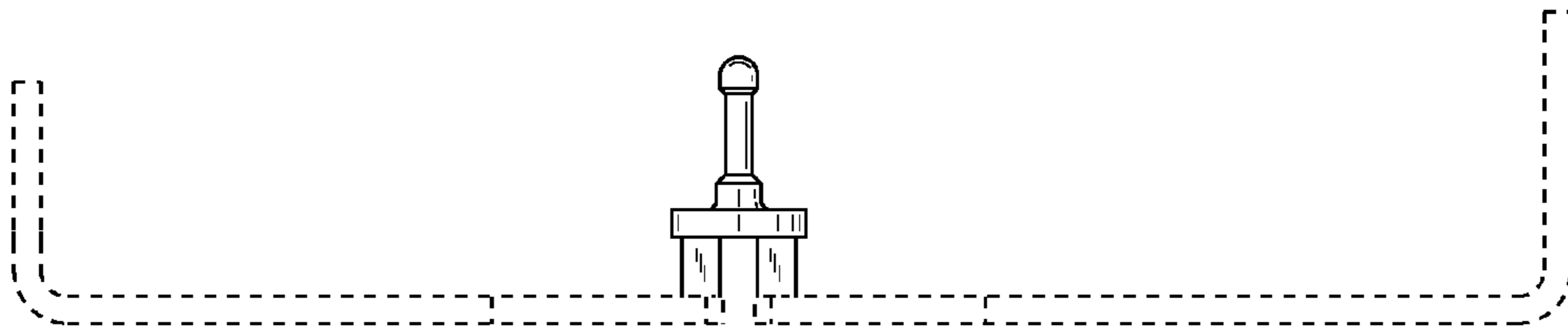


Fig.3

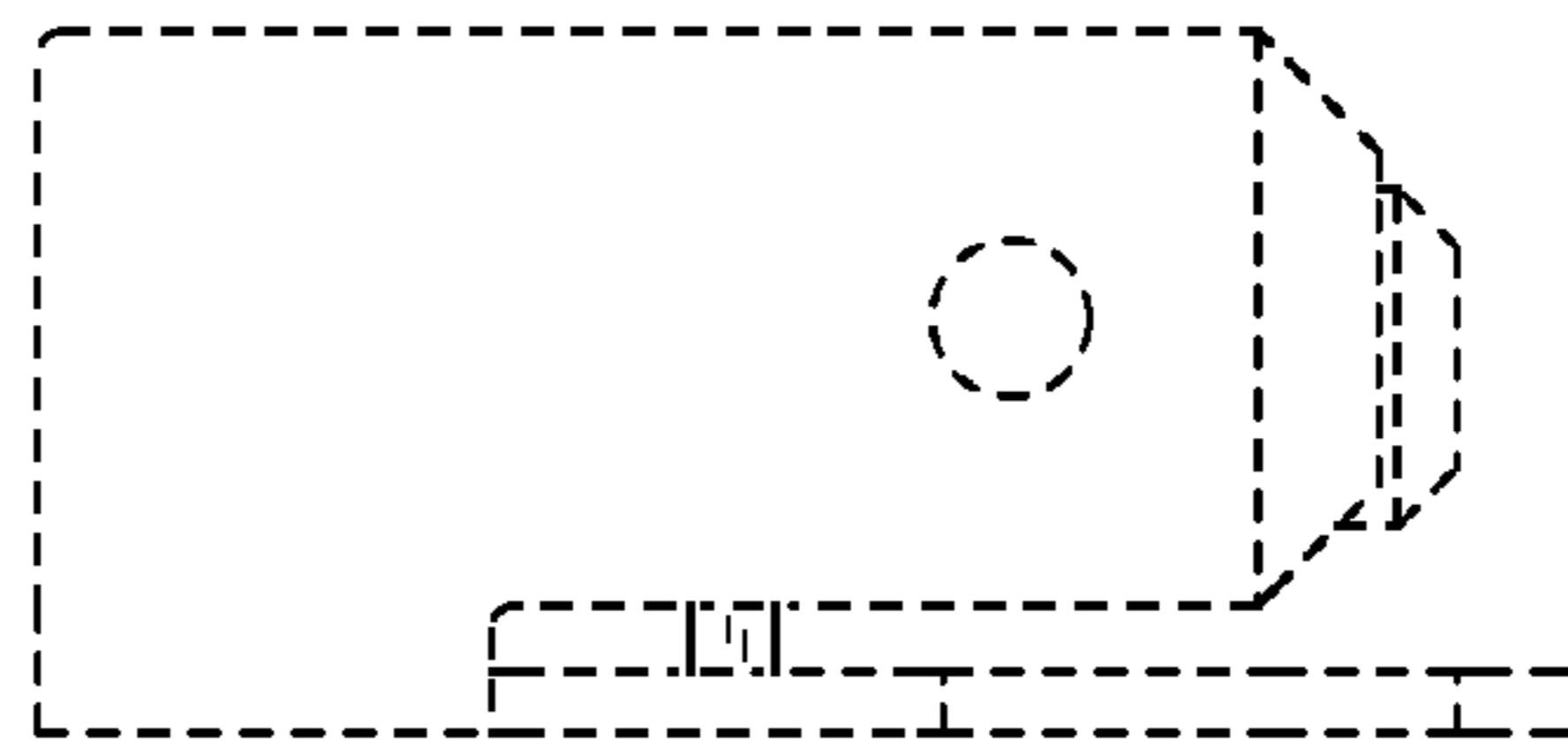


Fig.4

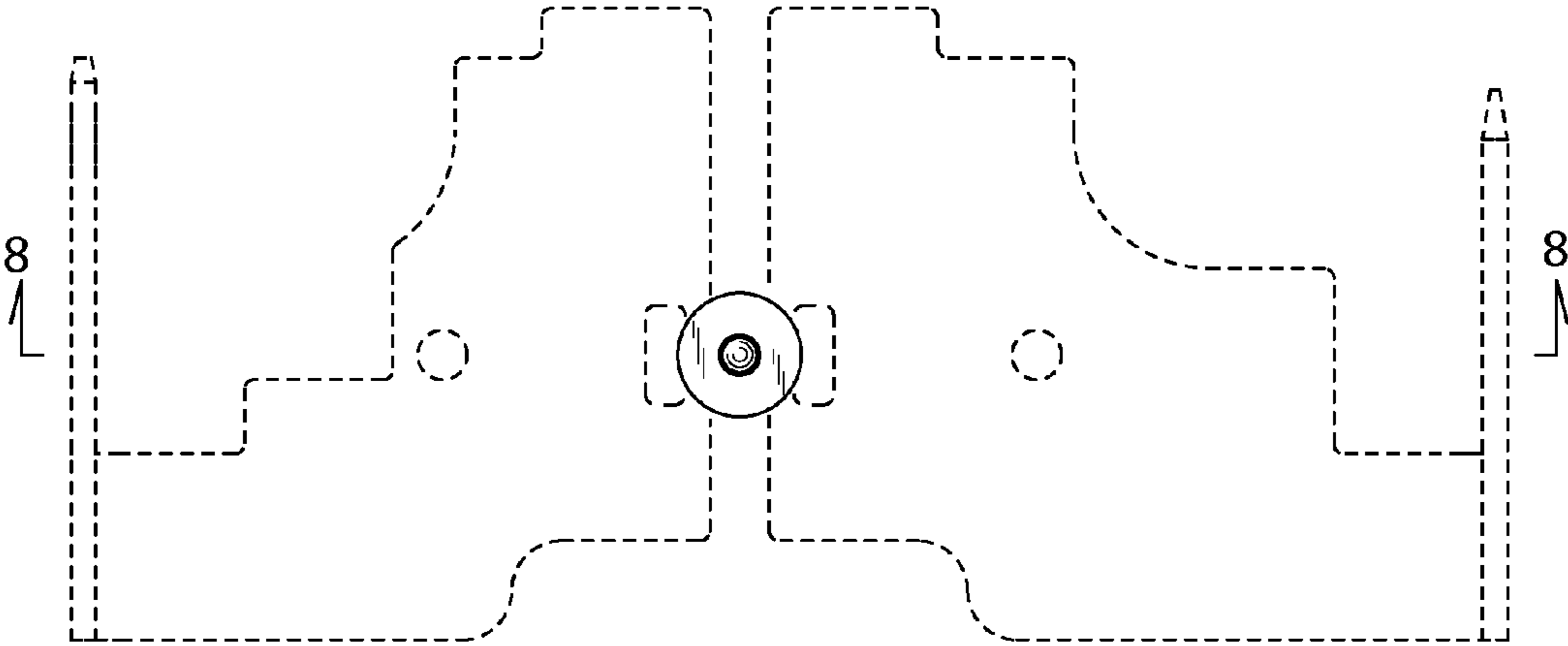


Fig.5

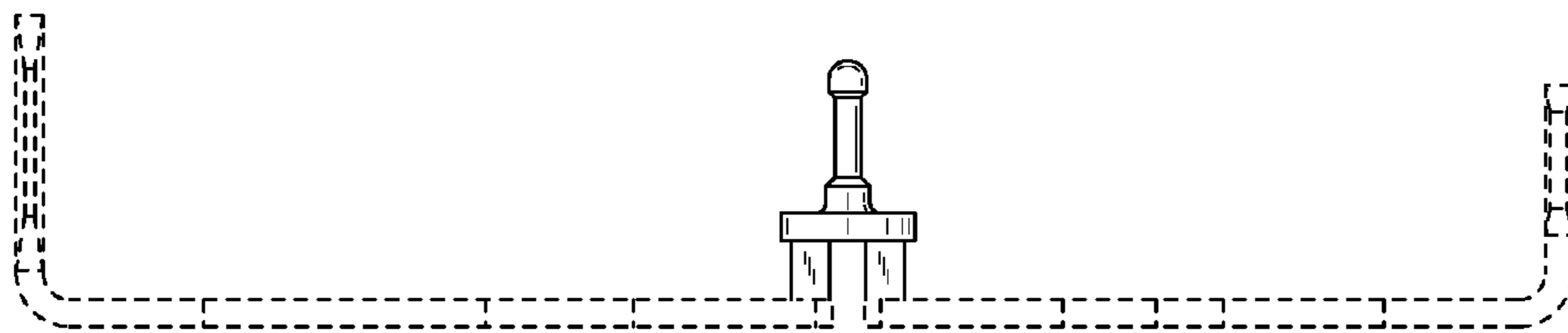


Fig.6

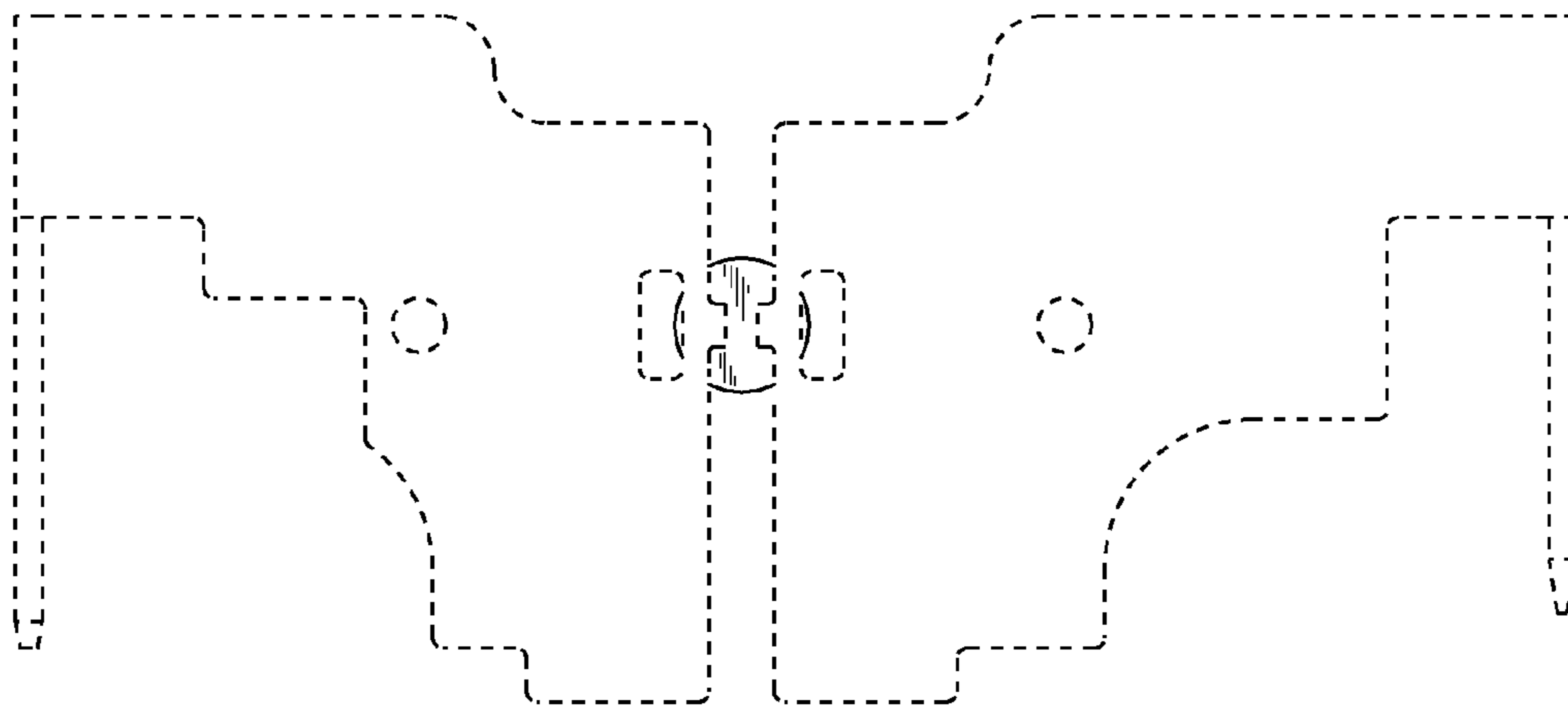


Fig.7

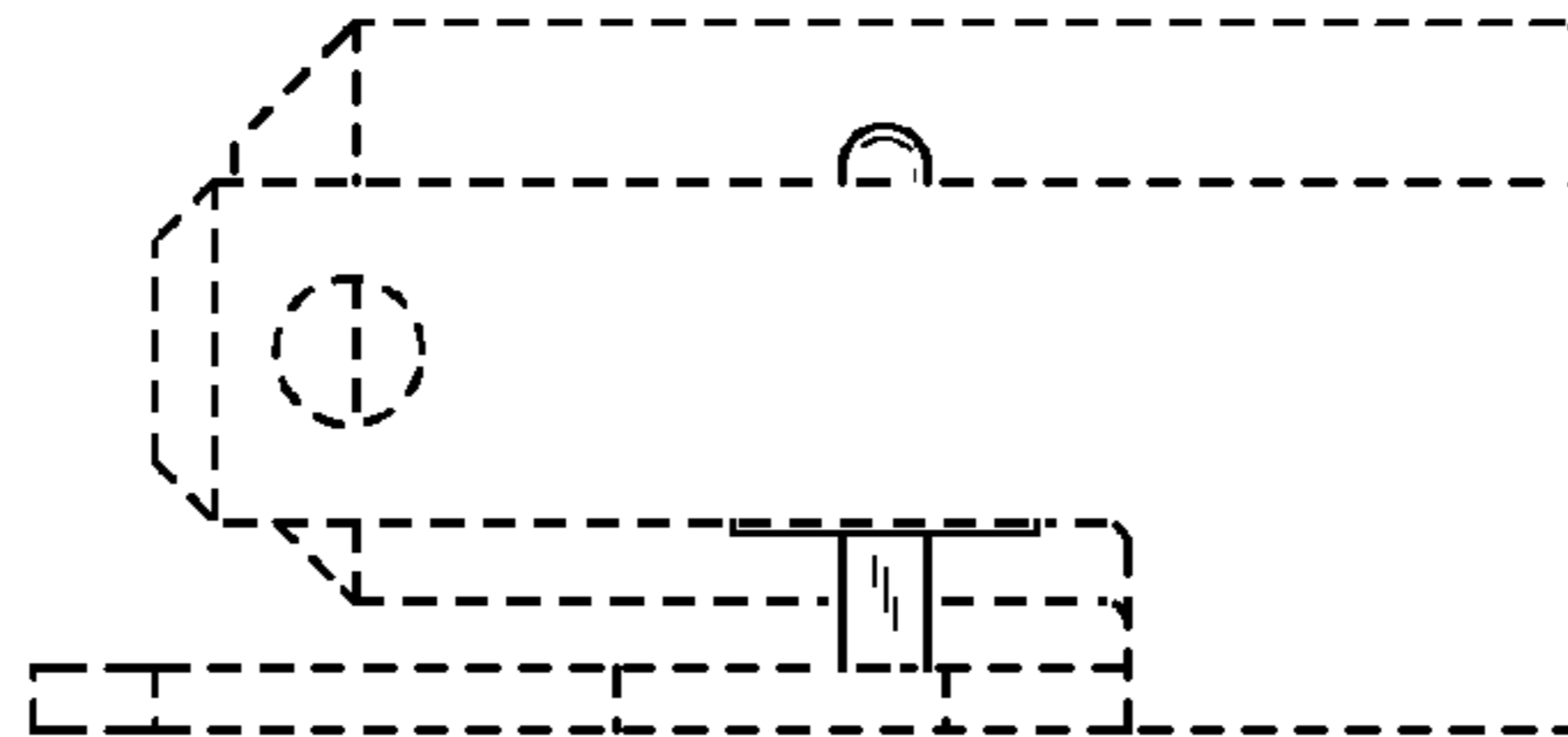


Fig.8

