



US00D681564S

(12) **United States Design Patent**  
**Hsu et al.**

(10) **Patent No.:** **US D681,564 S**  
(45) **Date of Patent:** **\*\* May 7, 2013**

(54) **LIGHT-EMITTING DIODE ARRAY**

(75) Inventors: **Chia-Ling Hsu**, Hsinchu (TW); **Tzu Chieh Hsu**, Hsinchu (TW)

(73) Assignee: **Epistar Corporation**, Hsinchu (TW)

(\*\*) Term: **14 Years**

(21) Appl. No.: **29/422,449**

(22) Filed: **May 21, 2012**

(30) **Foreign Application Priority Data**

Nov. 24, 2011 (TW) ..... 100306392

(51) **LOC (9) Cl.** ..... **13-03**

(52) **U.S. Cl.**  
USPC ..... **D13/180**

(58) **Field of Classification Search** ..... D13/180;  
D26/1; 257/79, 80, 81, 88, 89, 95, 98, 99,  
257/100, E33.058; 313/483, 498, 500; 362/555,  
362/800

See application file for complete search history.

(56) **References Cited**

**U.S. PATENT DOCUMENTS**

D566,057 S \* 4/2008 Edmond et al. .... D13/180  
D579,019 S \* 10/2008 Lei et al. .... D14/435  
D638,377 S \* 5/2011 Yan et al. .... D13/180  
7,947,996 B2 \* 5/2011 Sakamoto et al. .... 257/98  
D646,234 S \* 10/2011 Yao et al. .... D13/180

D648,287 S \* 11/2011 Hsu et al. .... D13/180  
8,120,057 B2 \* 2/2012 Sano et al. .... 257/99  
D656,908 S \* 4/2012 Hsu et al. .... D13/180  
8,188,504 B2 \* 5/2012 Lee ..... 257/99  
8,188,505 B2 \* 5/2012 Shen et al. .... 257/99  
2006/0163604 A1 \* 7/2006 Shin et al. .... 257/103  
2007/0085089 A1 \* 4/2007 Hsu ..... 257/81  
2012/0241808 A1 \* 9/2012 Akiyama et al. .... 257/99

\* cited by examiner

*Primary Examiner* — Selina Sikder

(74) *Attorney, Agent, or Firm* — Muncy, Geissler, Olds & Lowe, PLLC

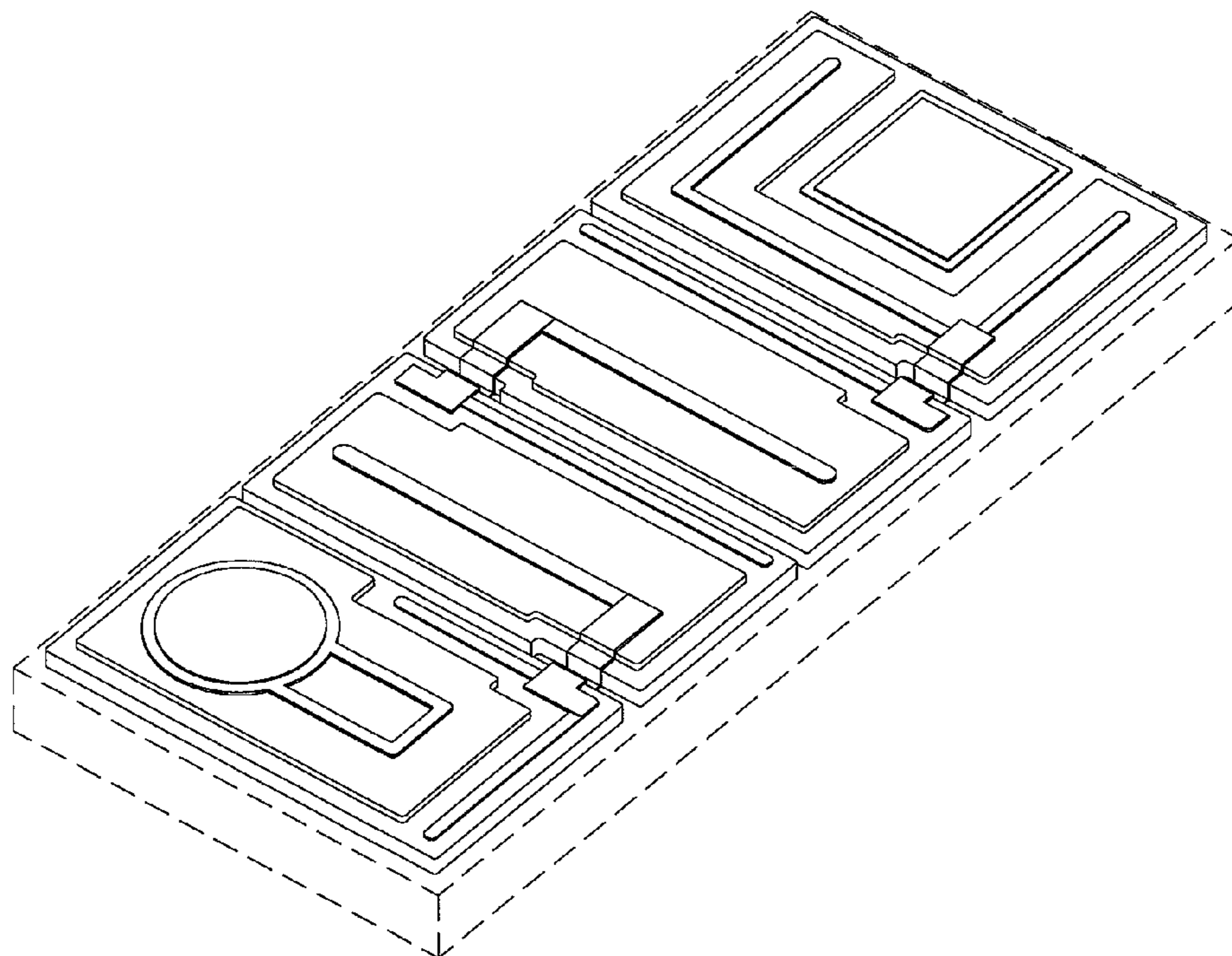
(57) **CLAIM**

The ornamental design for a light-emitting diode array, as shown and described.

**DESCRIPTION**

FIG. 1 is a perspective view of a light-emitting diode array showing our new design;  
FIG. 2 is a front elevational view of the light-emitting diode array;  
FIG. 3 is a rear elevational view of the light-emitting diode array;  
FIG. 4 is a left side view of the light-emitting diode array;  
FIG. 5 is a right side view of the light-emitting diode array;  
FIG. 6 is a top plan view of the light-emitting diode array; and,  
FIG. 7 is a bottom plan view of the light-emitting diode array.  
The broken line showing is for the purpose of illustrating environmental structure only and forms no part of the claimed design.

**1 Claim, 5 Drawing Sheets**



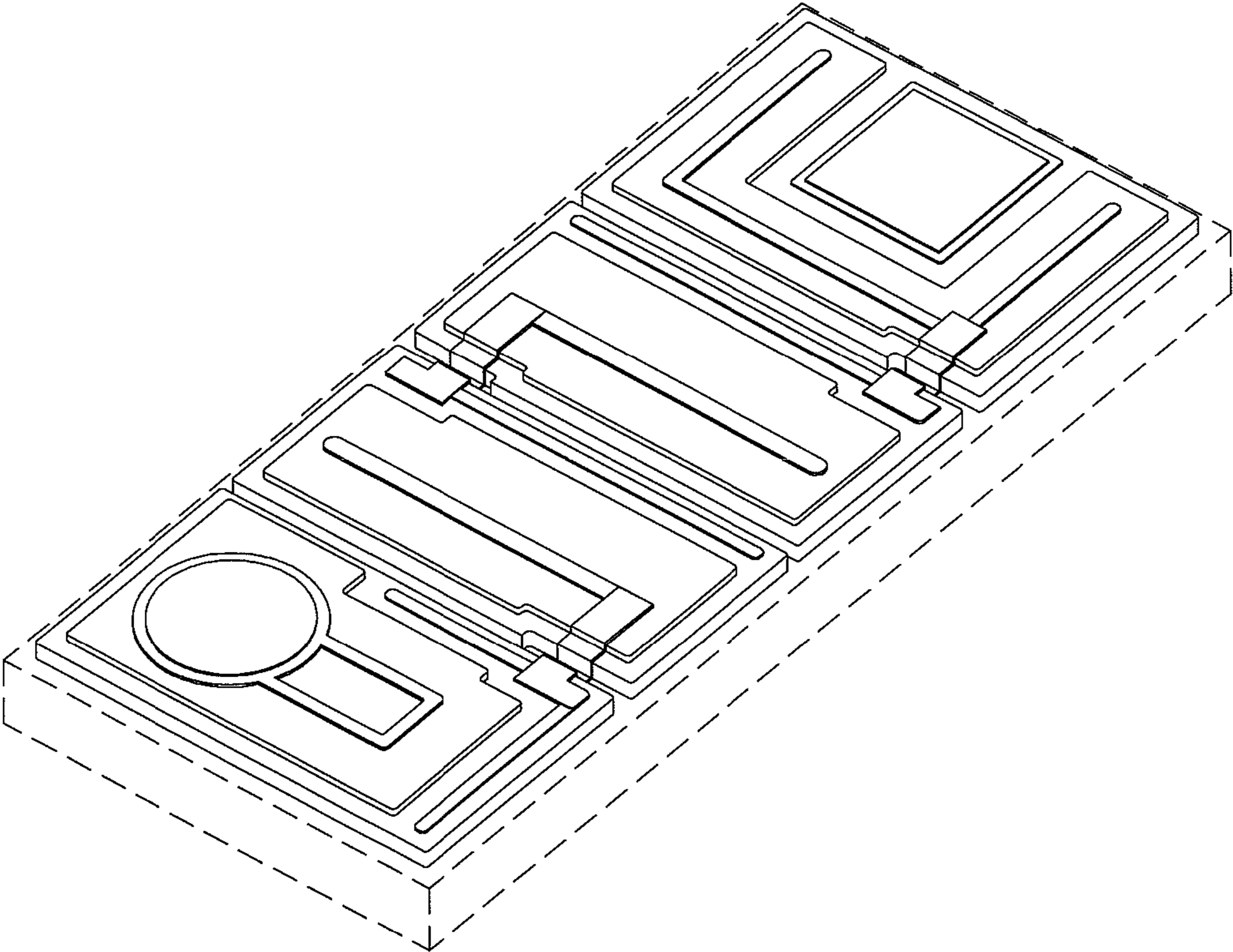


FIG.1

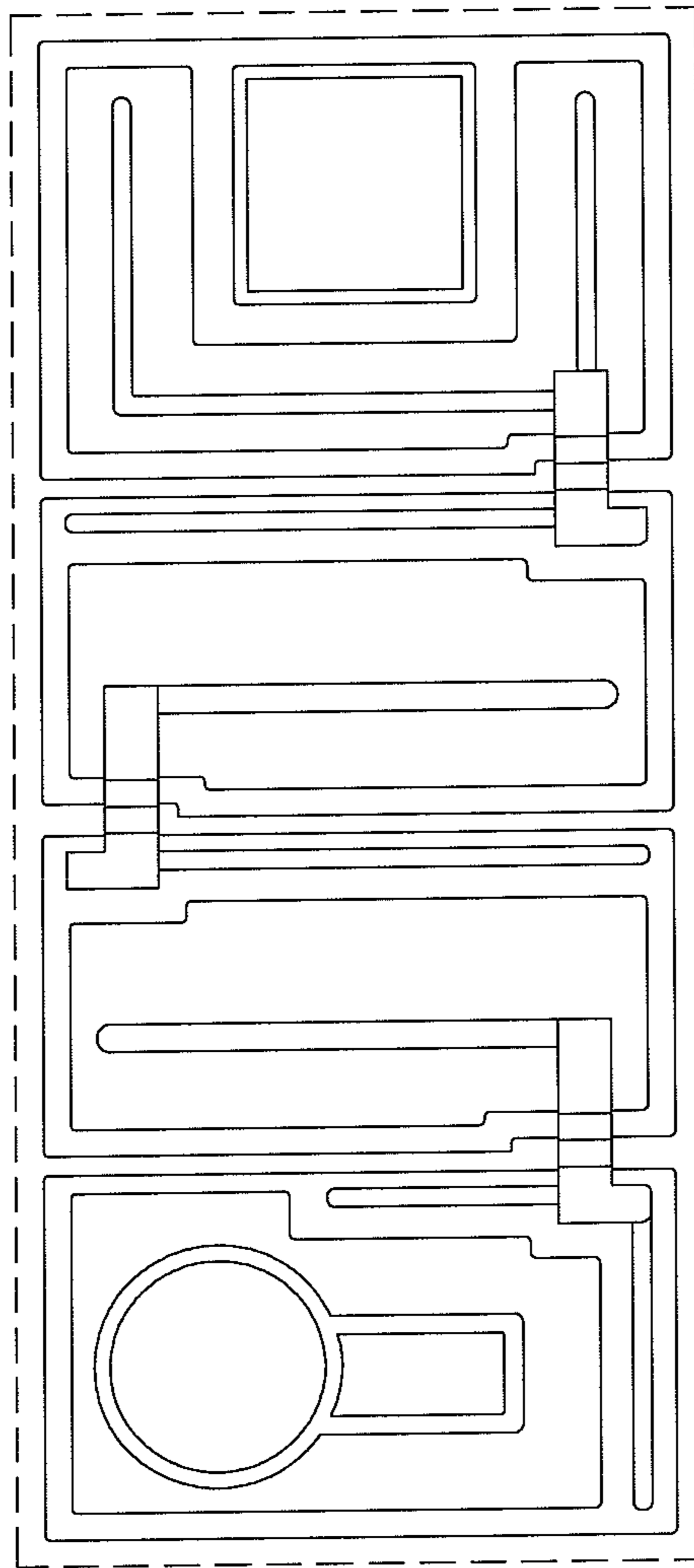
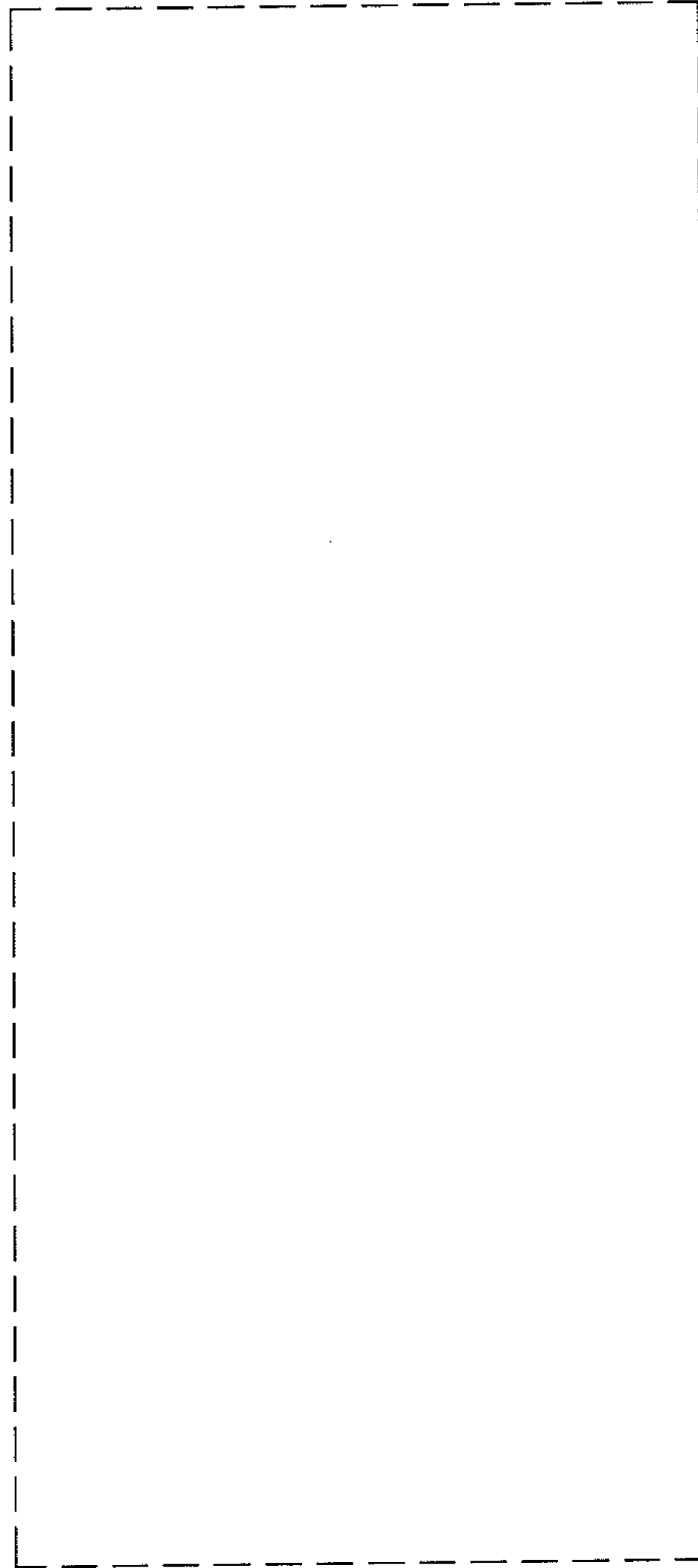


FIG.2



**FIG.3**

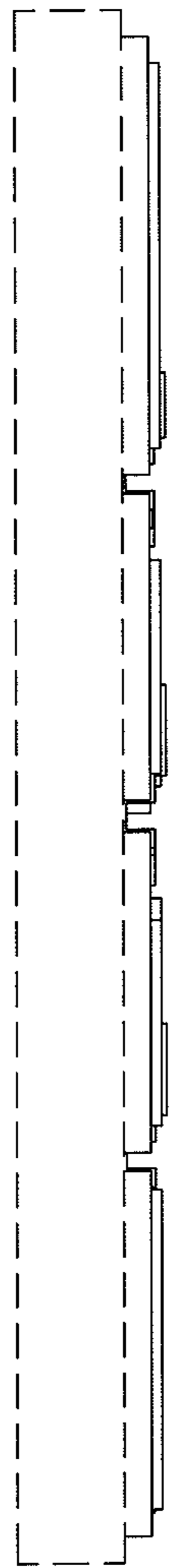


FIG. 4

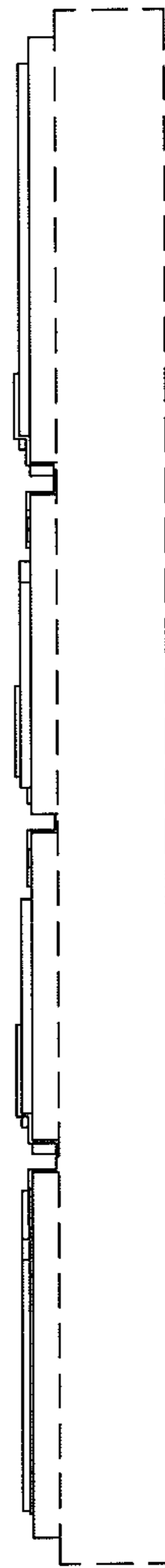


FIG. 5

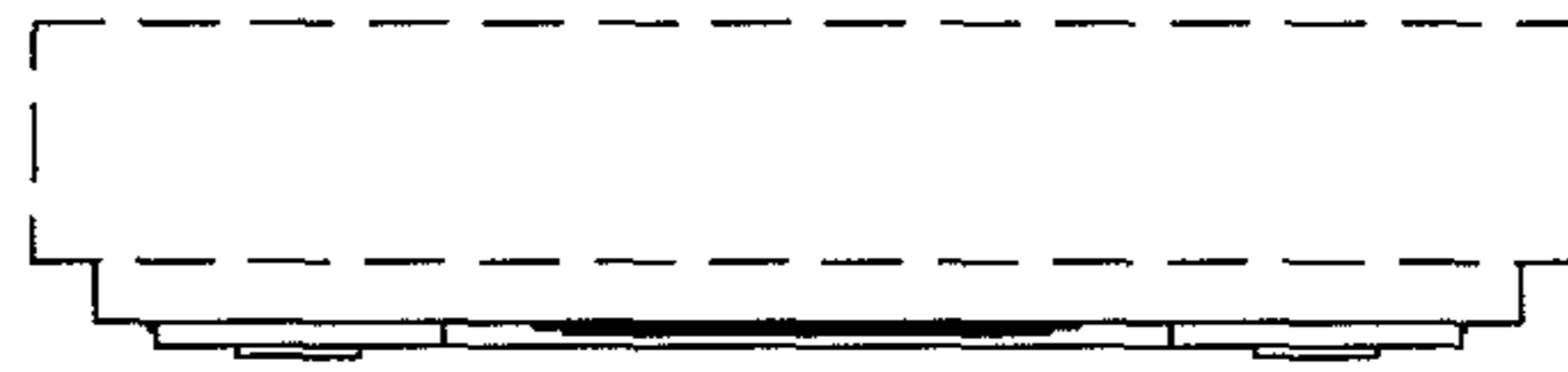


FIG. 6

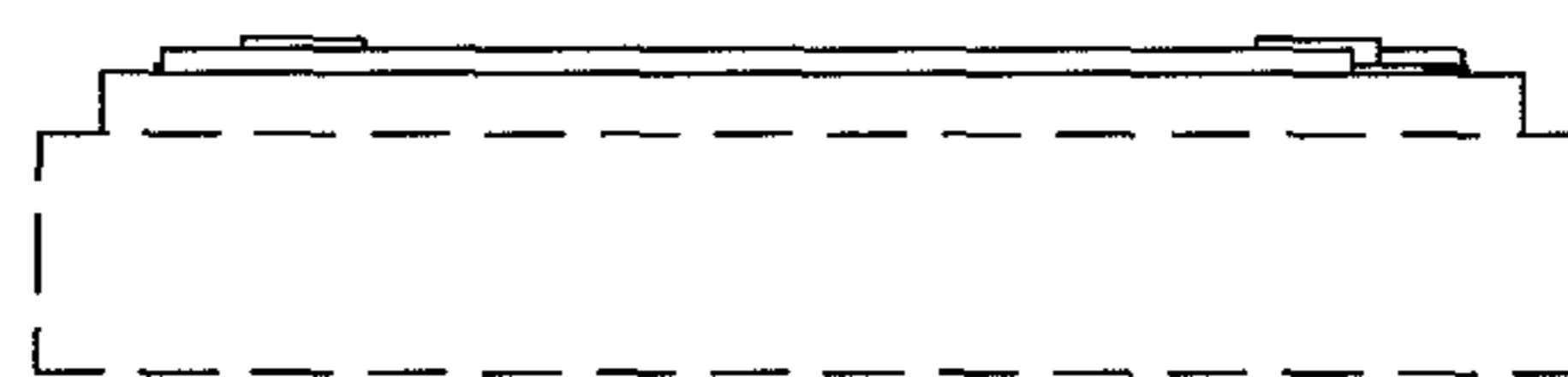


FIG. 7