



US00D681557S

(12) **United States Design Patent**  
**Miyazaki et al.**

(10) **Patent No.:** **US D681,557 S**  
(45) **Date of Patent:** **\*\* May 7, 2013**

(54) **CONNECTOR**

(75) Inventors: **Yoji Miyazaki, Mie (JP); Tomonori Tanaka, Mie (JP)**

(73) Assignee: **Panasonic Corporation, Osaka (JP)**

(\*\*) Term: **14 Years**

(21) Appl. No.: **29/431,243**

(22) Filed: **Sep. 5, 2012**

(30) **Foreign Application Priority Data**

Mar. 7, 2012 (JP) ..... 2012-005092  
Mar. 7, 2012 (JP) ..... 2012-005093

(51) **LOC (9) Cl.** ..... **13-03**

(52) **U.S. Cl.**  
USPC ..... **D13/147**

(58) **Field of Classification Search** ..... D13/120,  
D13/133, 147, 154, 184, 199; 439/78-79,  
439/83, 108, 181, 607.01, 607.04, 607.05,  
439/607.17, 607.25, 607.34, 74, 607.41,  
439/607.53, 630, 660  
See application file for complete search history.

(56) **References Cited**

**U.S. PATENT DOCUMENTS**

D455,125 S \* 4/2002 Shimoyama et al. .... D13/147  
D539,226 S \* 3/2007 Yamada et al. .... D13/147  
D540,263 S \* 4/2007 Kishi et al. .... D13/147  
D562,774 S \* 2/2008 Kojima et al. .... D13/147  
D570,289 S \* 6/2008 Obikane ..... D13/147  
D582,852 S \* 12/2008 Hoshino et al. .... D13/147  
D588,541 S \* 3/2009 Lee et al. .... D13/147  
D589,898 S \* 4/2009 Chen et al. .... D13/147  
D603,799 S \* 11/2009 Obikane et al. .... D13/147

D604,250 S 11/2009 Obikane et al.  
D642,531 S \* 8/2011 Nishimura et al. .... D13/147  
D643,369 S \* 8/2011 Sato et al. .... D13/147

**FOREIGN PATENT DOCUMENTS**

JP D1278637 S 8/2006  
JP D1279677 S 8/2006  
JP D1418226 S 7/2011

\* cited by examiner

*Primary Examiner* — Daniel Bui

(74) *Attorney, Agent, or Firm* — Brinks Hofer Gilson & Lione

(57) **CLAIM**

We claim the ornamental design for a connector, as shown and described.

**DESCRIPTION**

FIG. 1 is a top perspective view of a first embodiment of a connector showing our new invention; FIG. 2 is a front elevation view thereof; FIG. 3 is a first side elevation view thereof, the second side view being a mirror image thereof; FIG. 4 is a top plan view thereof; FIG. 5 is a bottom plan view thereof; FIG. 6 is a cross-section view taken along the line 6-6 of FIG. 2; FIG. 7 is a top perspective view of a second embodiment of a connector showing our new invention; FIG. 8 is a front elevation view thereof; FIG. 9 is a first side elevation view thereof, the second side view being a mirror image thereof; FIG. 10 is a top plan view thereof; FIG. 11 is a bottom plan view thereof; and, FIG. 12 is a cross-section view taken along the line 12-12 of FIG. 8.

**1 Claim, 12 Drawing Sheets**

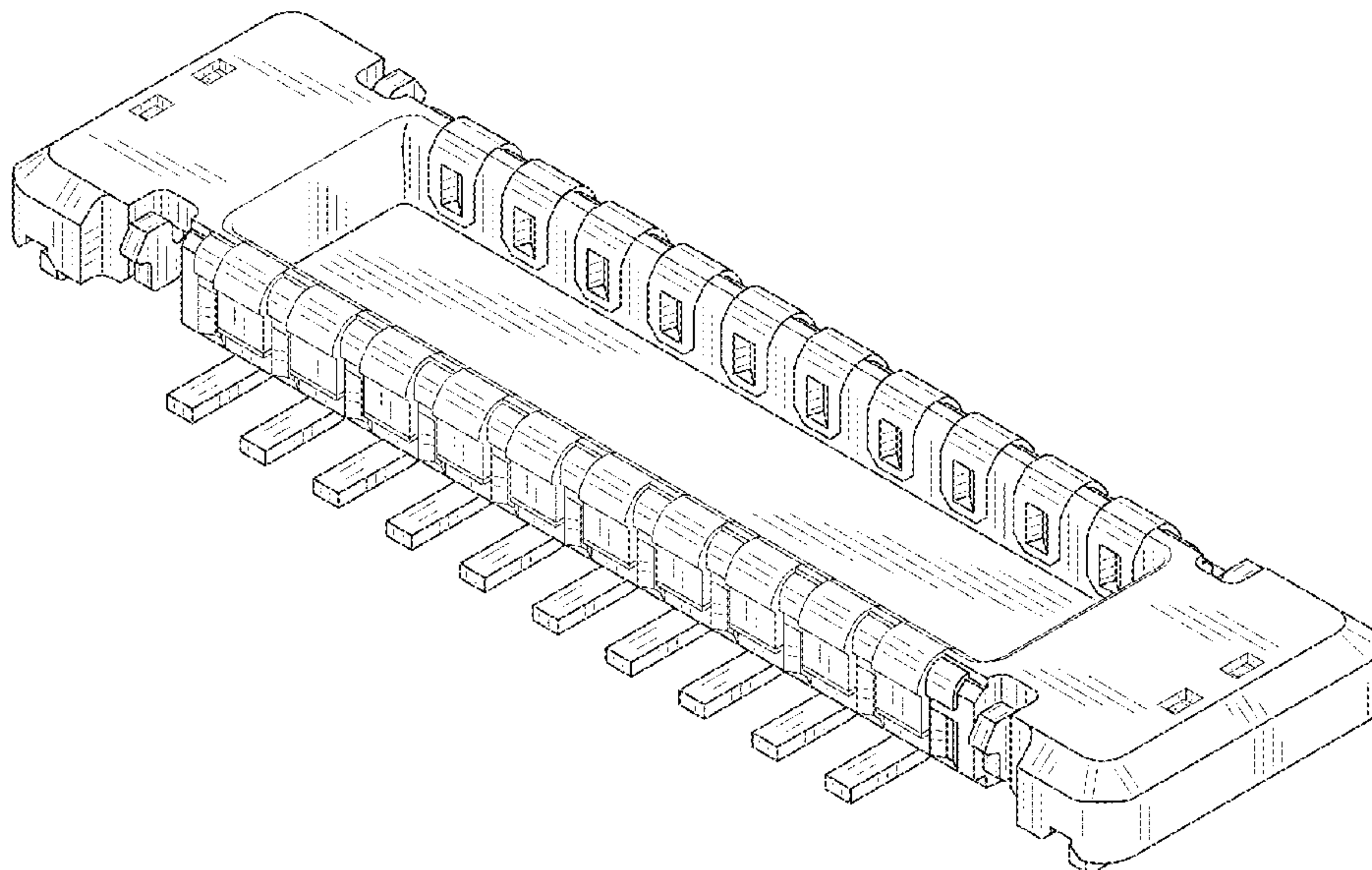


FIG. 1

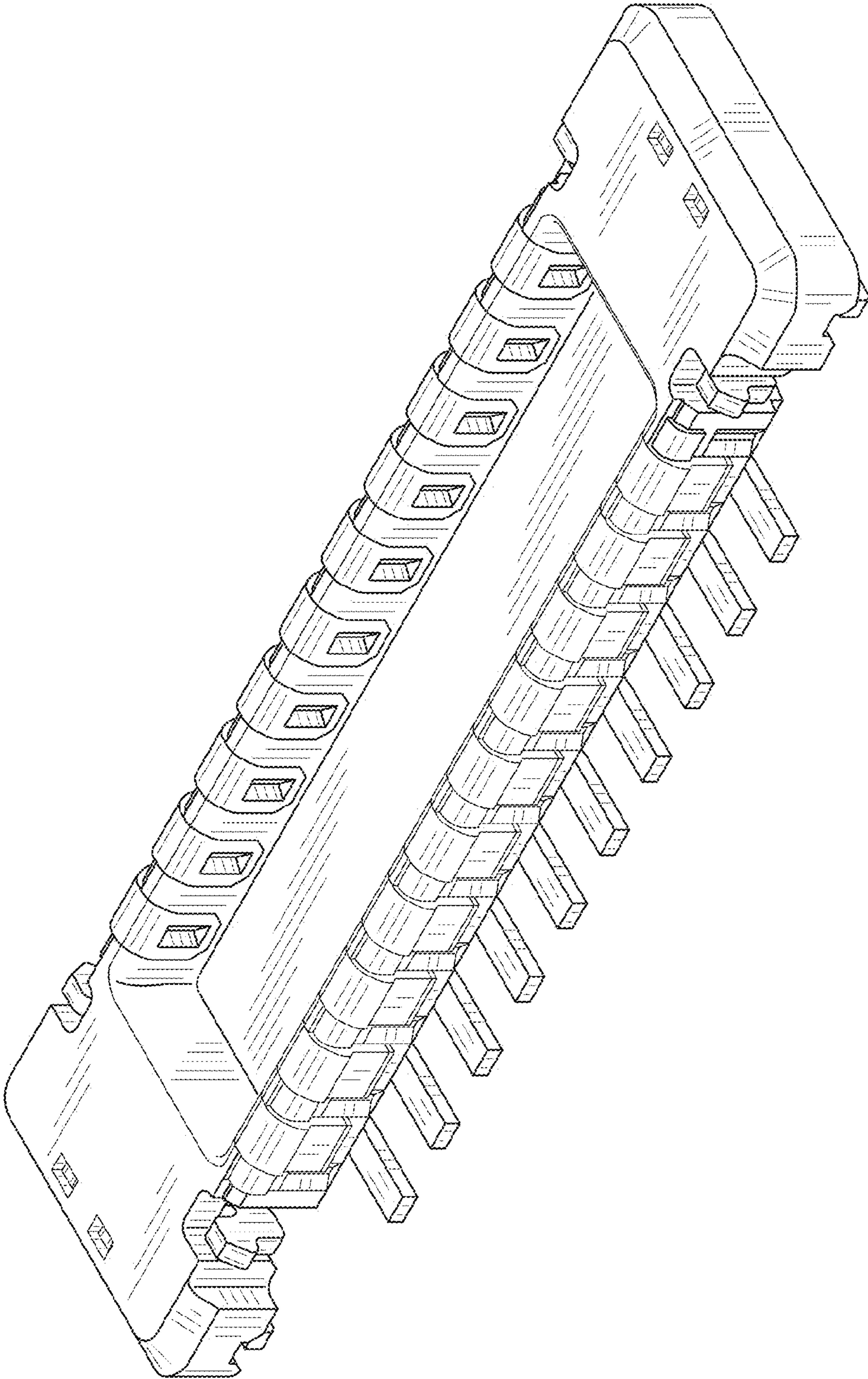


FIG. 2

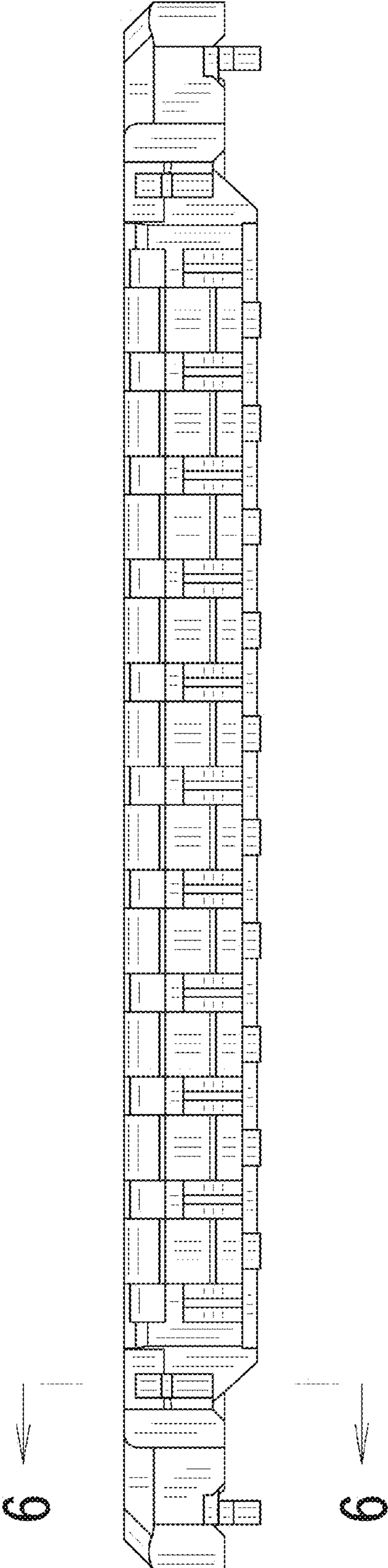


FIG. 3

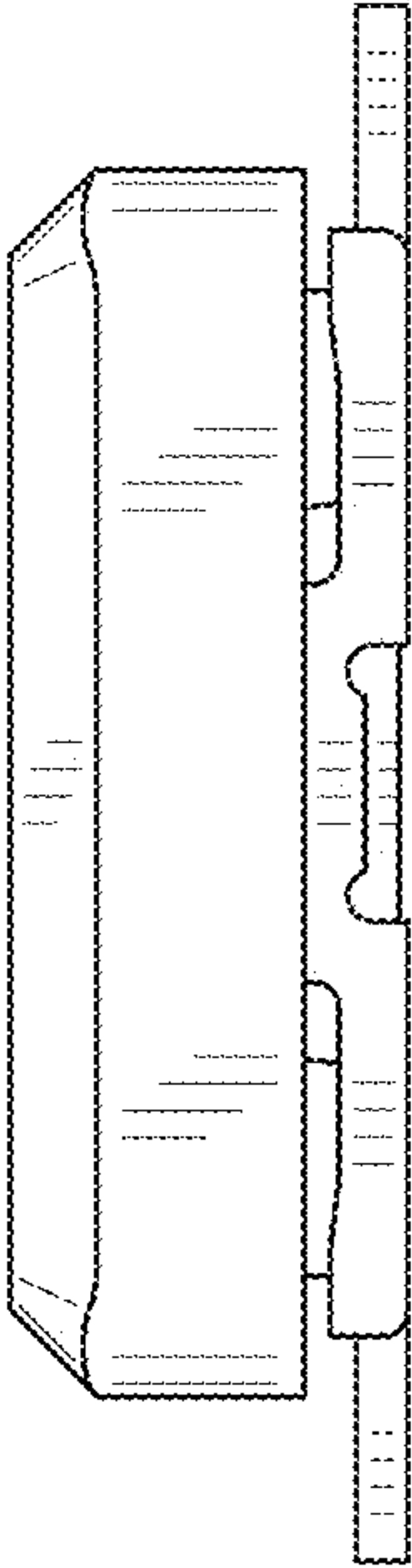




FIG. 4

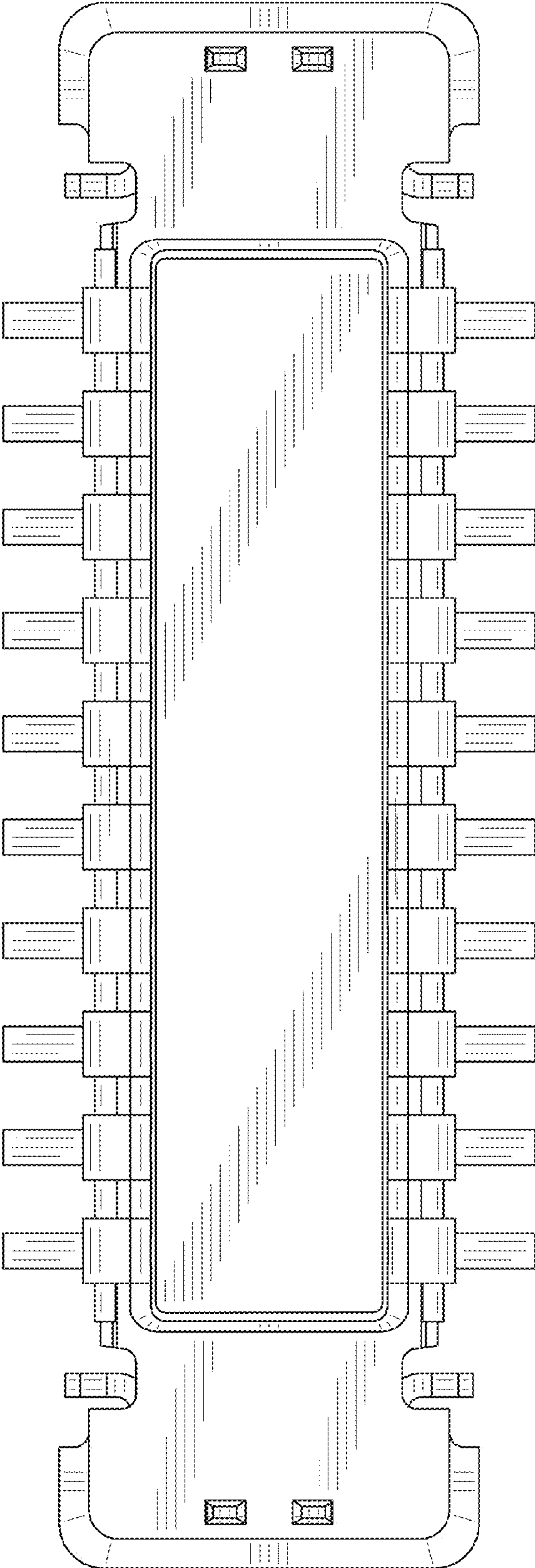


FIG. 5

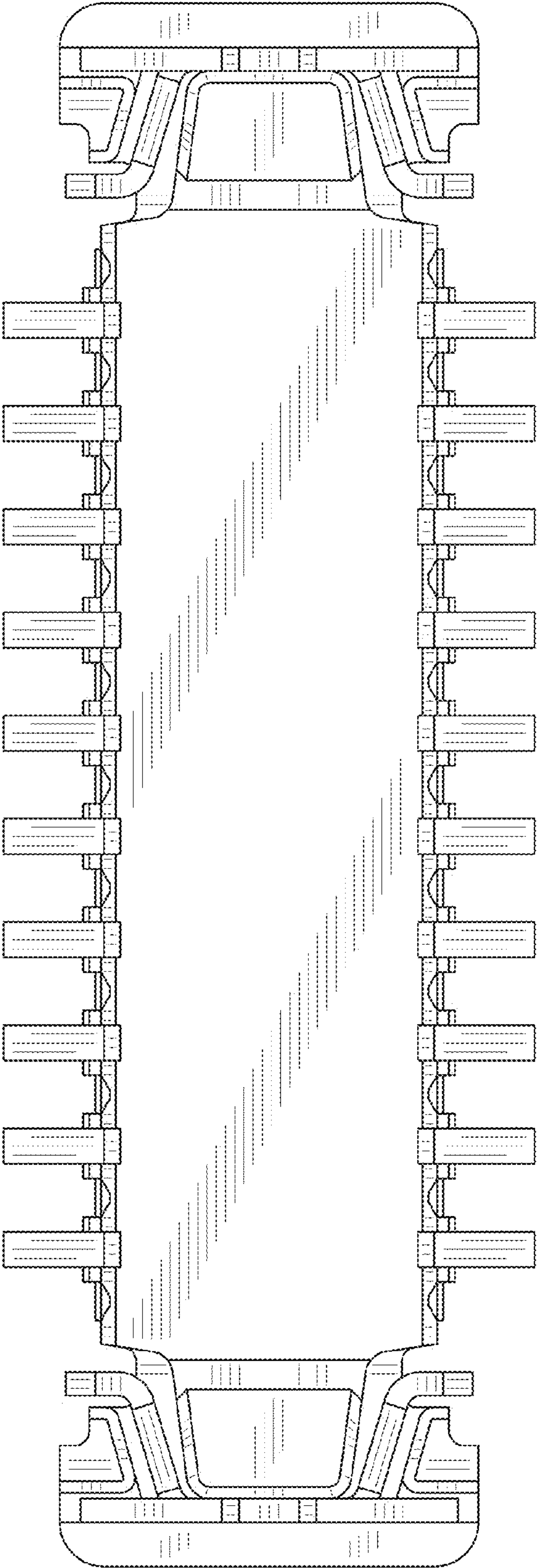


FIG. 6

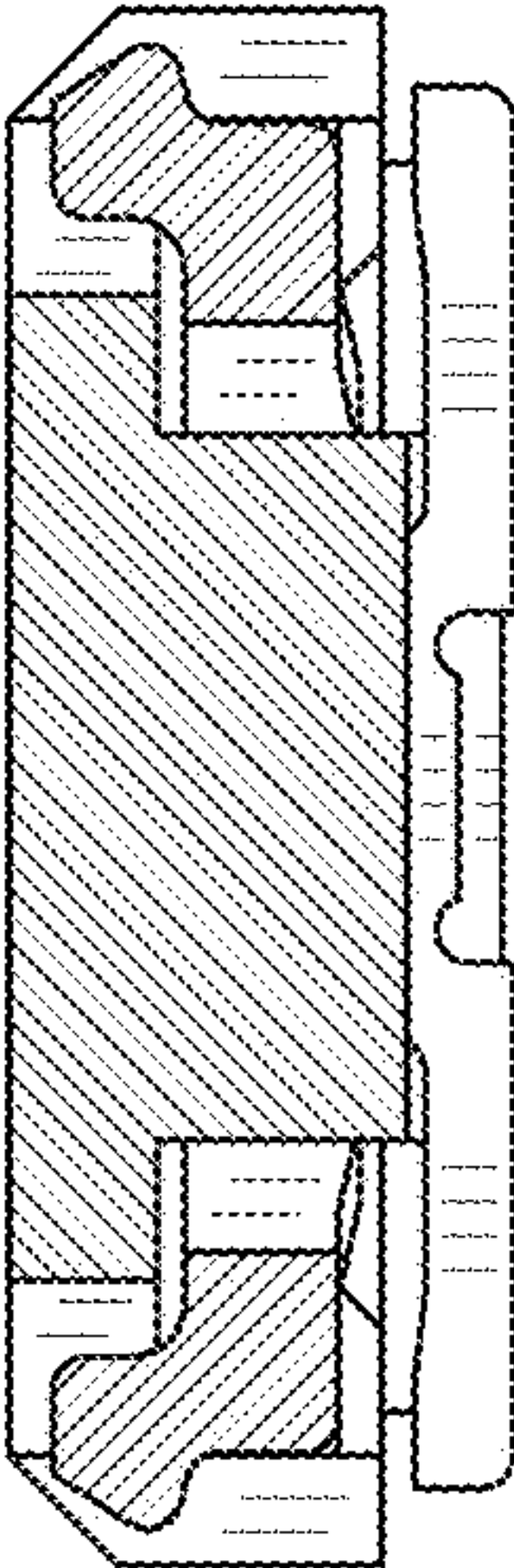


FIG. 7

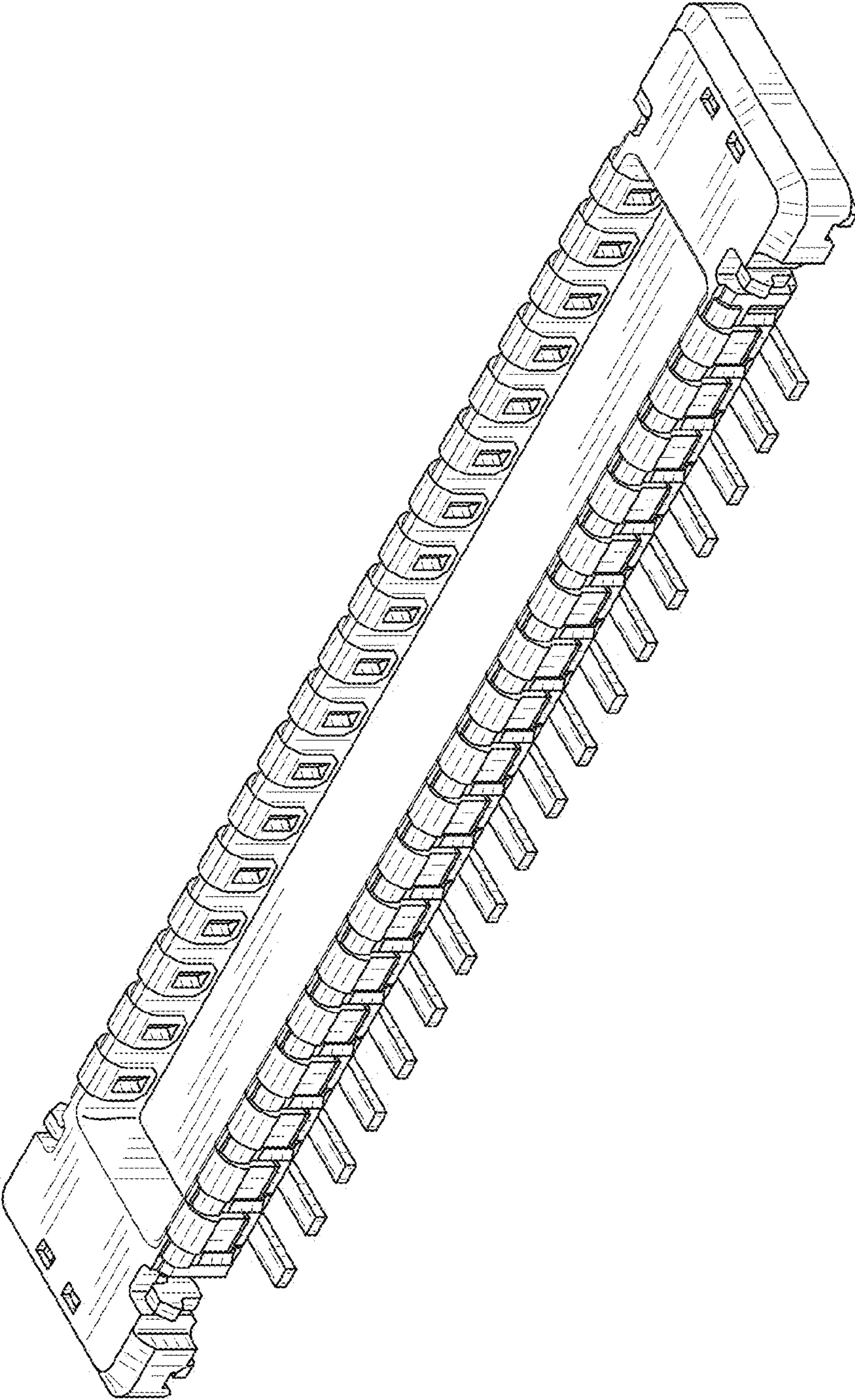




FIG. 8

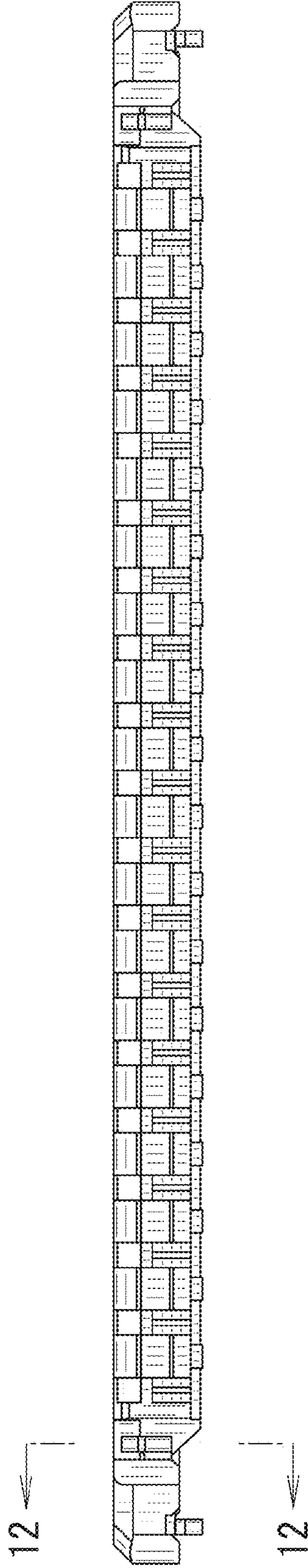


FIG. 9

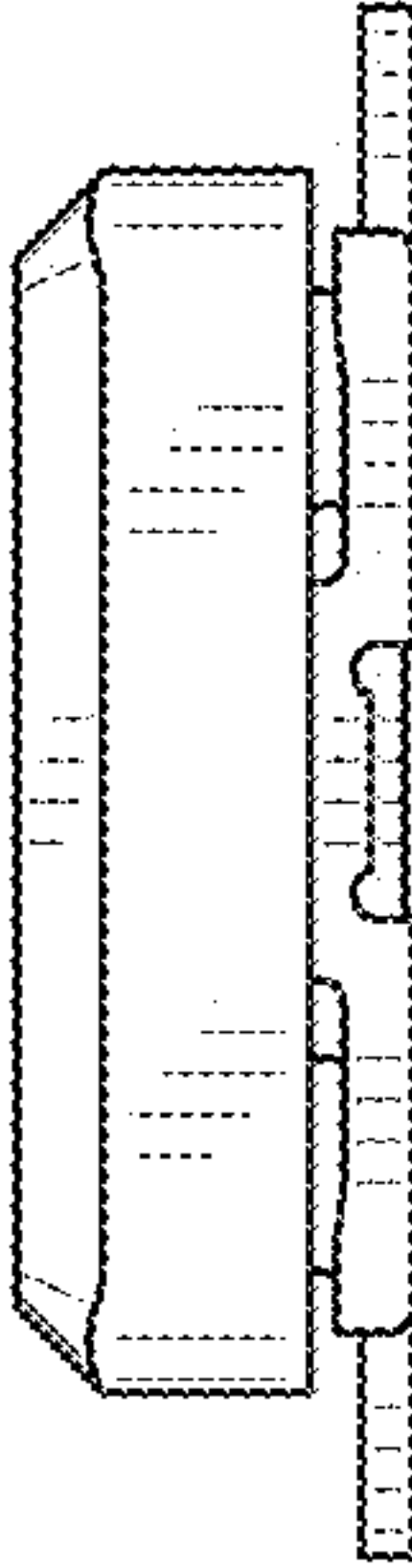


FIG. 10

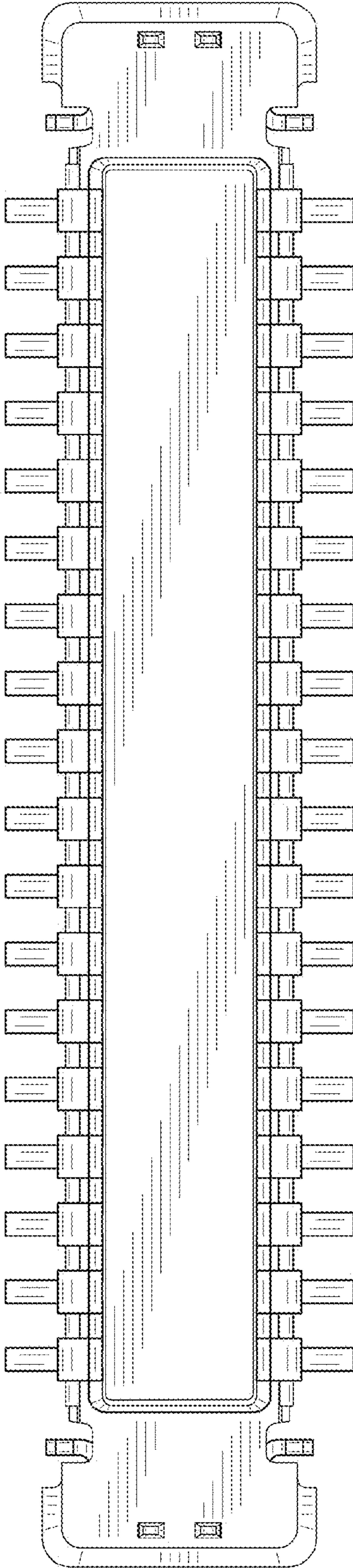


FIG. 11

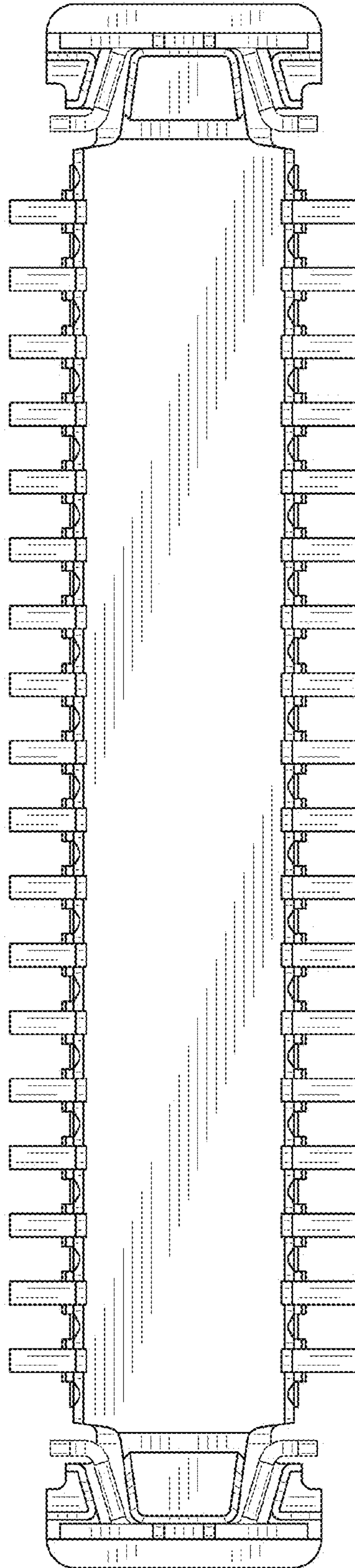




FIG. 12

