



US00D681556S

(12) **United States Design Patent**
Tu et al.

(10) **Patent No.:** **US D681,556 S**
(45) **Date of Patent:** **** May 7, 2013**

(54) **RECEPTACLE CONNECTOR**

(75) Inventors: **Chih-Wei Tu**, Taoyuan County (TW);
Ta-Wei Liu, Taoyuan County (TW);
I-Cheng Chuang, Taoyuan County (TW)

(73) Assignee: **HTC Corporation**, Taoyuan County (TW)

(**) Term: **14 Years**

(21) Appl. No.: **29/424,614**

(22) Filed: **Jun. 13, 2012**

(51) **LOC (9) Cl.** **13-03**

(52) **U.S. Cl.**
USPC **D13/147**

(58) **Field of Classification Search** D13/147,
D13/154, 184, 199; 439/79, 108, 350, 353,
439/357, 358, 378, 447, 476.1, 483, 578,
439/567, 595, 607.01, 607.04, 607.05, 607.17,
439/607.25, 607.34, 607.41, 607.53, 660,
439/668, 677, 680-682, 686

See application file for complete search history.

(56) **References Cited**

U.S. PATENT DOCUMENTS

D607,823	S	*	1/2010	Koyama et al.	D13/147
D621,365	S	*	8/2010	Kondo et al.	D13/147
D621,787	S	*	8/2010	Kondo	D13/147
D621,788	S	*	8/2010	Kondo	D13/147
D624,022	S	*	9/2010	Liu et al.	D13/147
D635,927	S	*	4/2011	Nagata et al.	D13/147
D635,928	S	*	4/2011	Nagata et al.	D13/147
D638,366	S	*	5/2011	Ohtsuji et al.	D13/147

FOREIGN PATENT DOCUMENTS

TW D146812 5/2012

OTHER PUBLICATIONS

“Notice of Allowance of Taiwan counterpart application” issued on Nov. 28, 2012, p. 1-p. 4, in which the listed reference was cited.

* cited by examiner

Primary Examiner — Daniel Bui

(74) *Attorney, Agent, or Firm* — Jianq Chyun IP Office

(57) **CLAIM**

The ornamental design for a receptacle connector, as shown and described.

DESCRIPTION

FIG. 1 is a top, front and left side perspective of a receptacle connector showing our new design;

FIG. 2 is a bottom, rear and right side perspective view thereof;

FIG. 3 is front elevation view thereof;

FIG. 4 is a rear elevation view thereof;

FIG. 5 is a left side elevation view thereof;

FIG. 6 is a right side elevation view thereof;

FIG. 7 is atop plan view thereof;

FIG. 8 is a bottom plan view thereof;

FIG. 9 is a top, front and left side perspective thereof, in an exploded condition;

FIG. 10 is a bottom, rear and right side perspective view thereof, in an exploded condition;

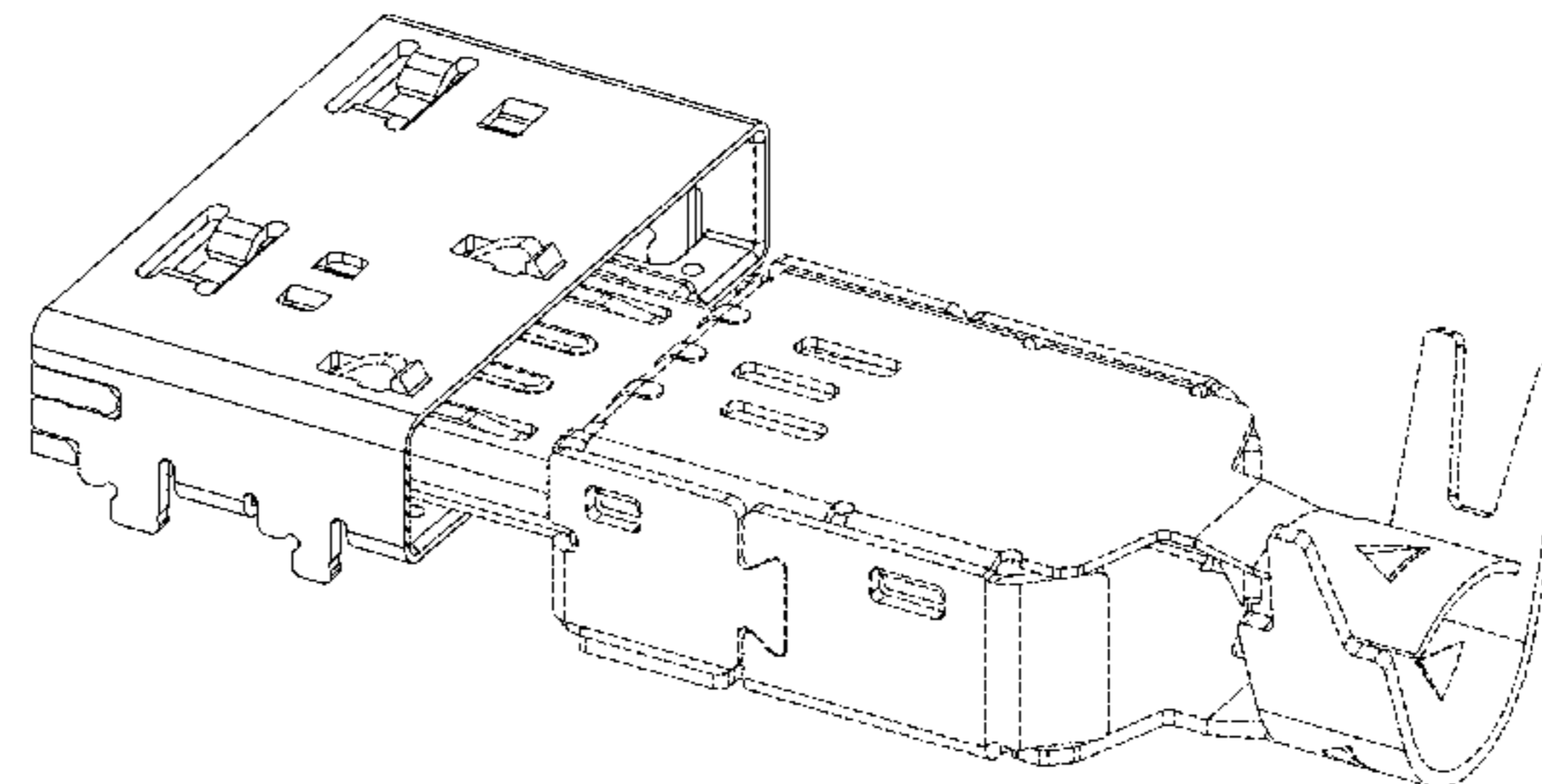
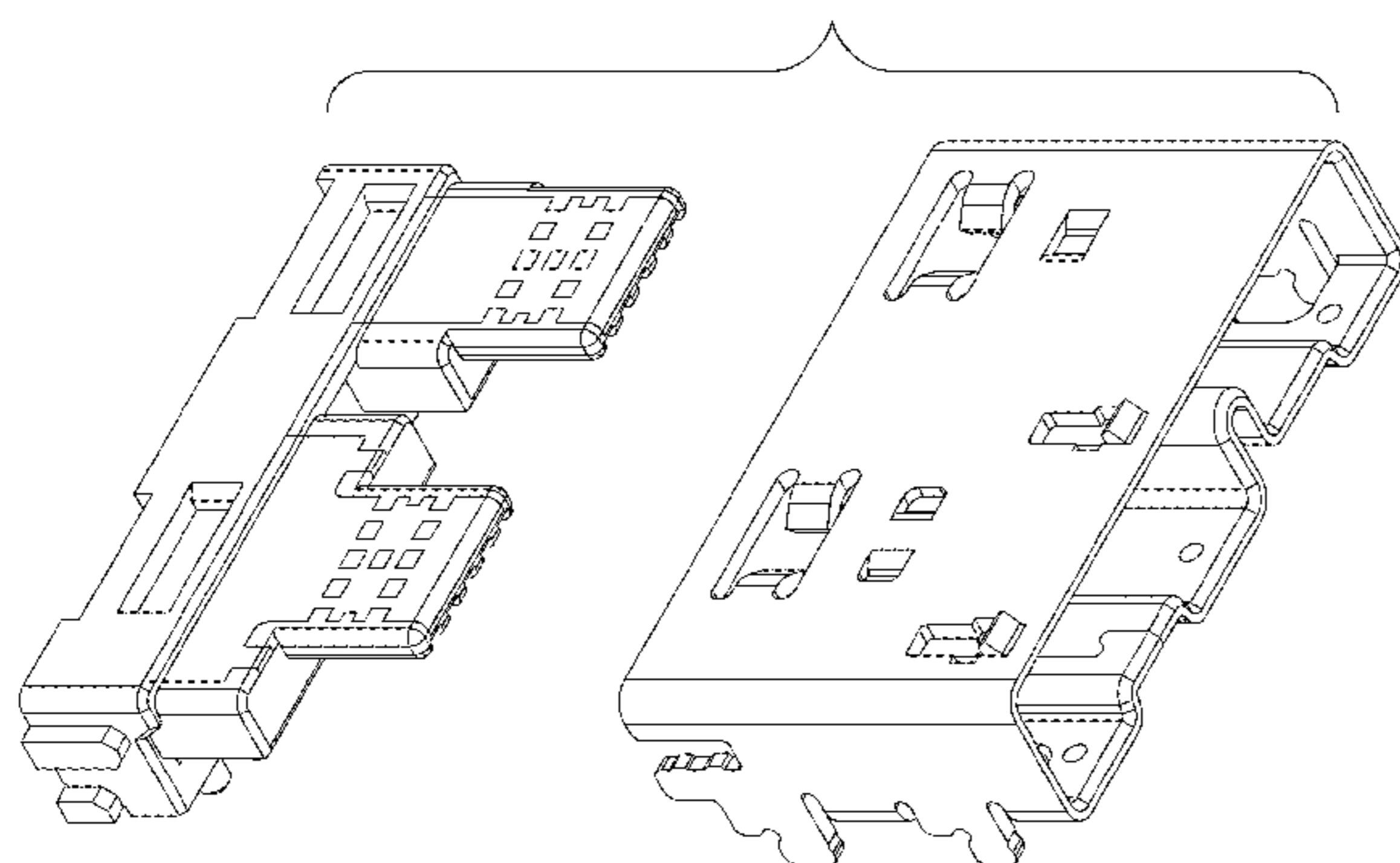
FIG. 11 is a top, front and left side perspective thereof, in use condition;

FIG. 12 is another top, front and left side perspective thereof, in use condition; and,

FIG. 13 is another top, front and left side perspective thereof, in use condition.

The broken line in FIGS. 11, 12 and 13 is included to show unclaimed subject matter only and forms no part of the claimed design.

1 Claim, 10 Drawing Sheets



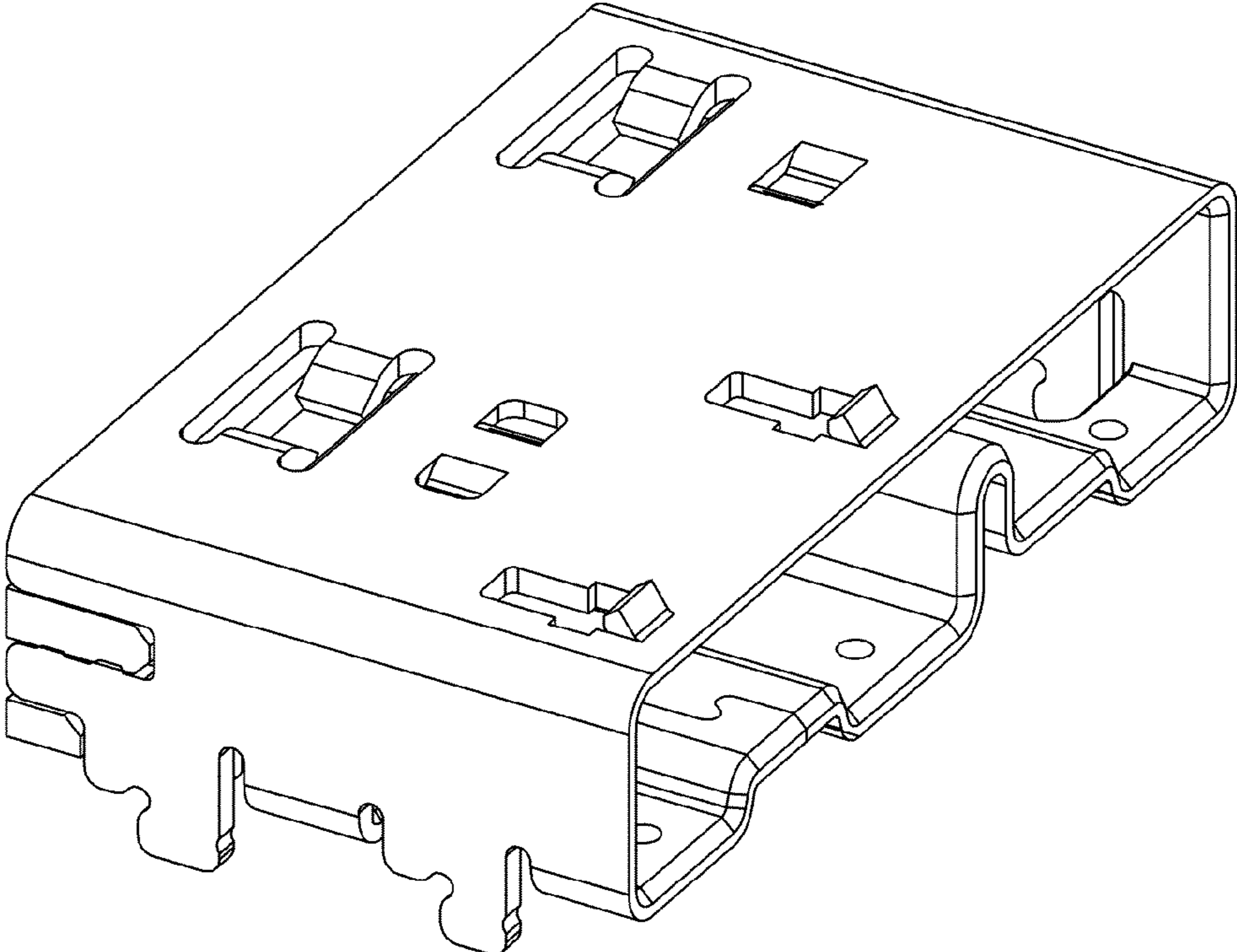


FIG. 1

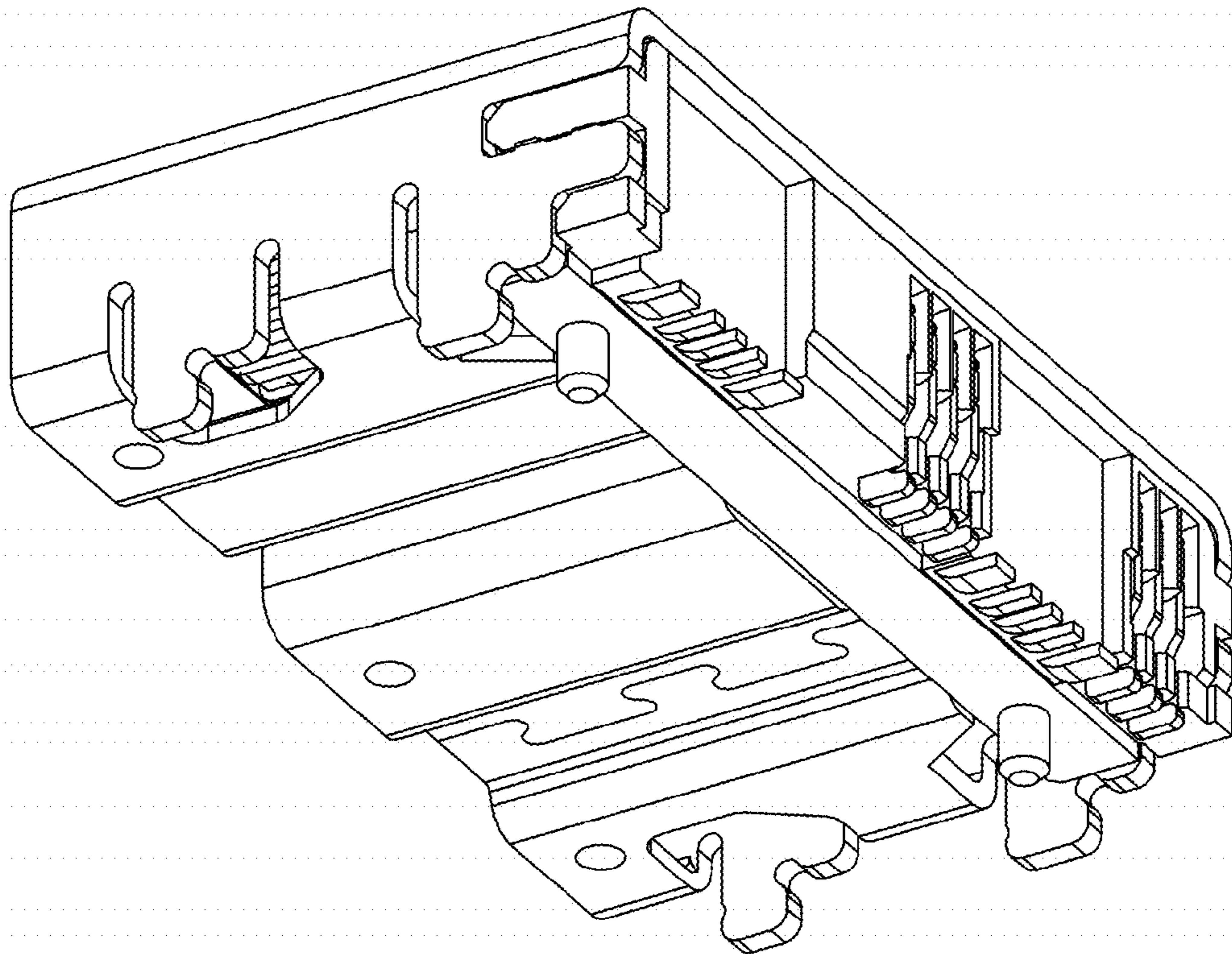


FIG. 2

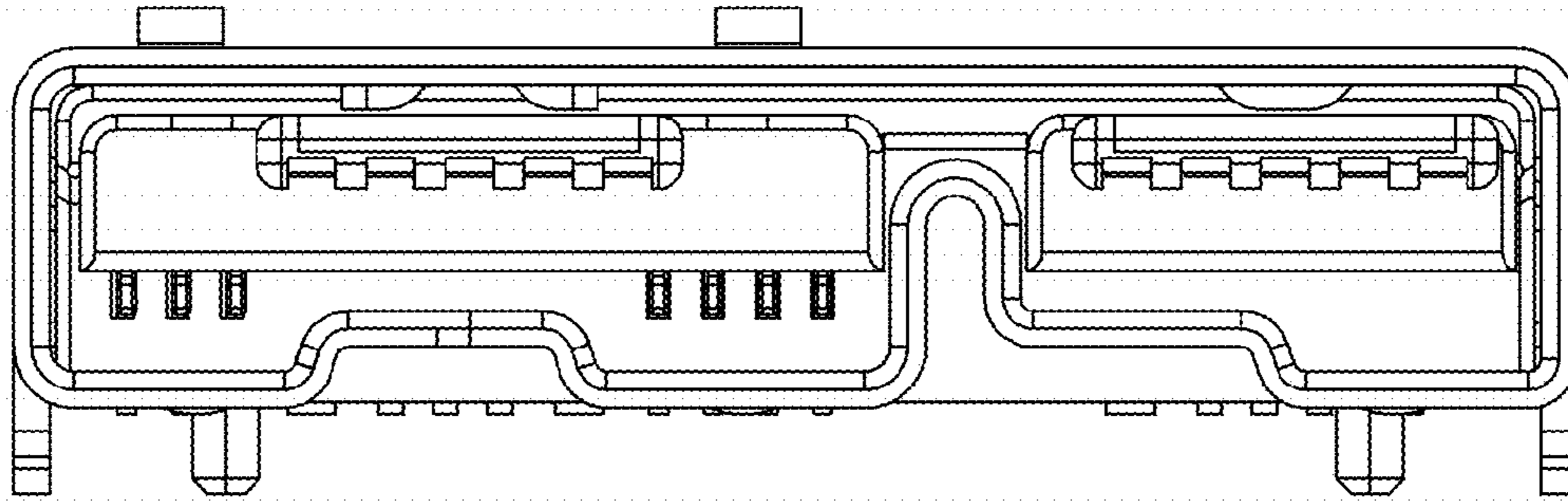


FIG. 3

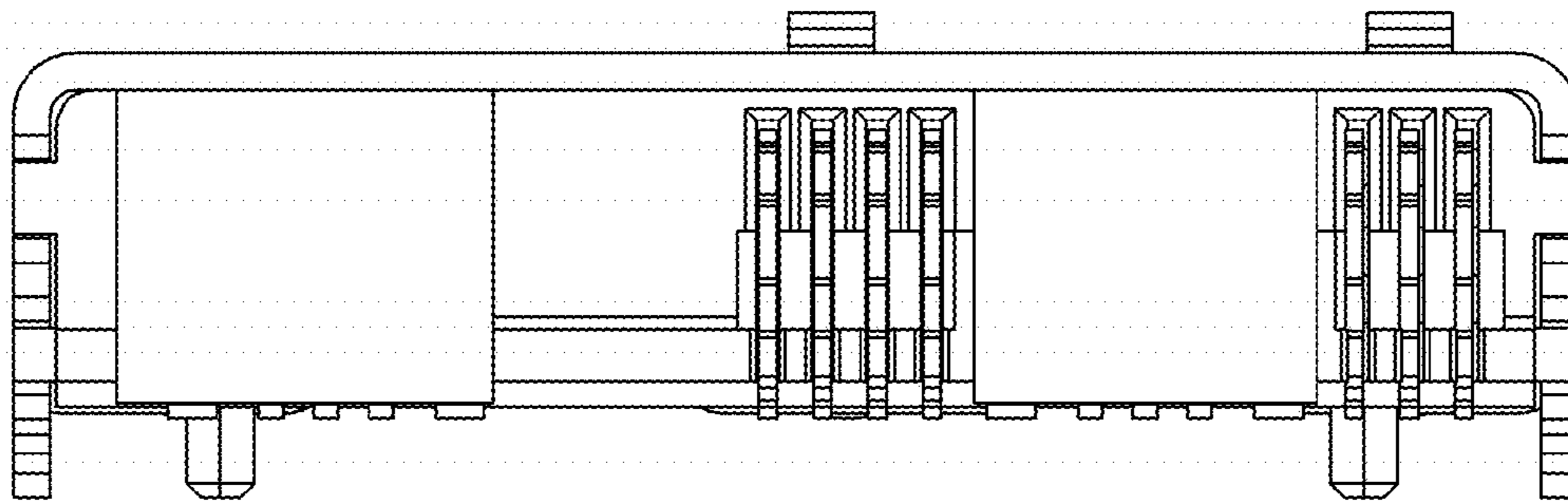


FIG. 4

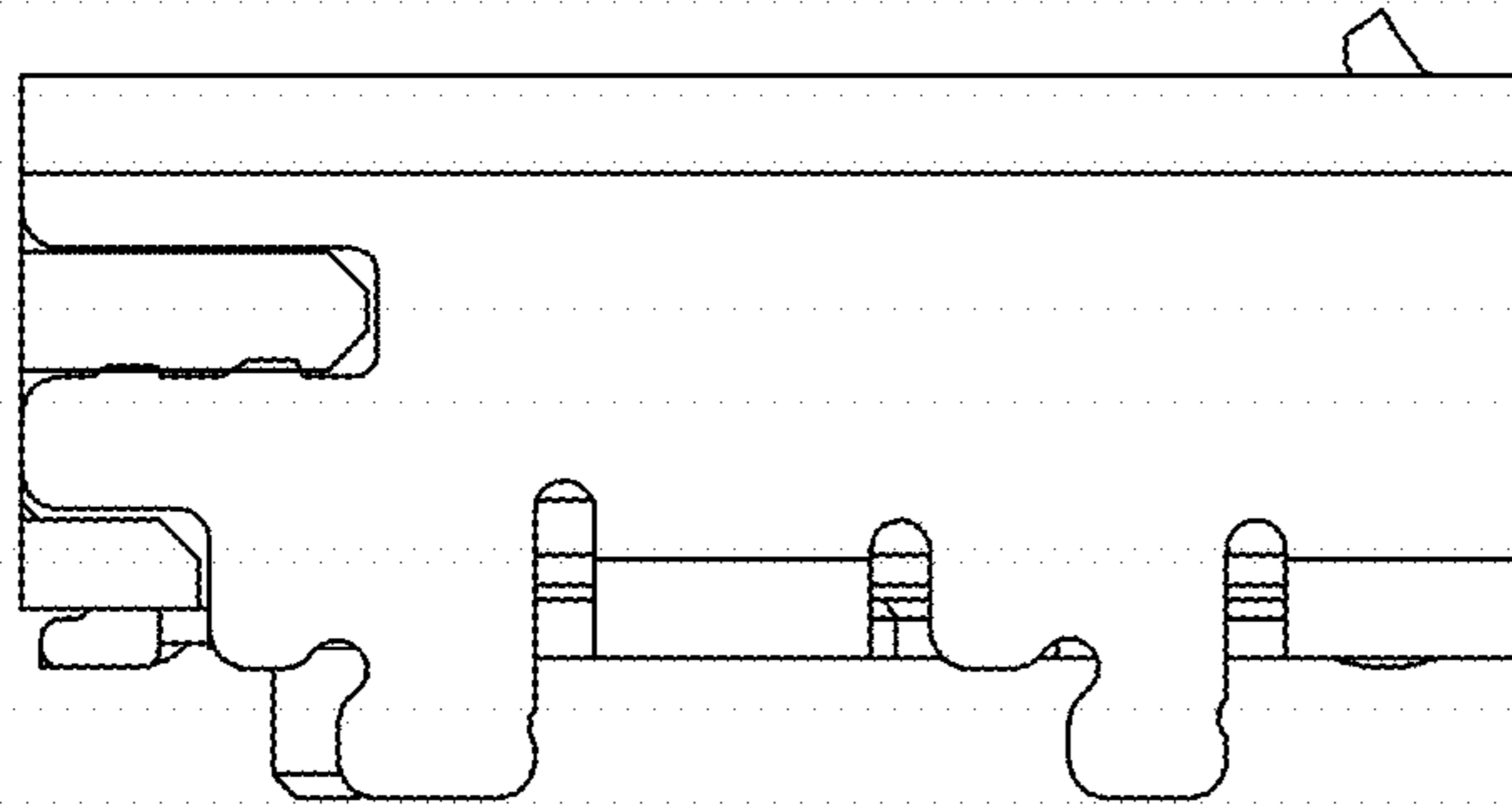


FIG. 5

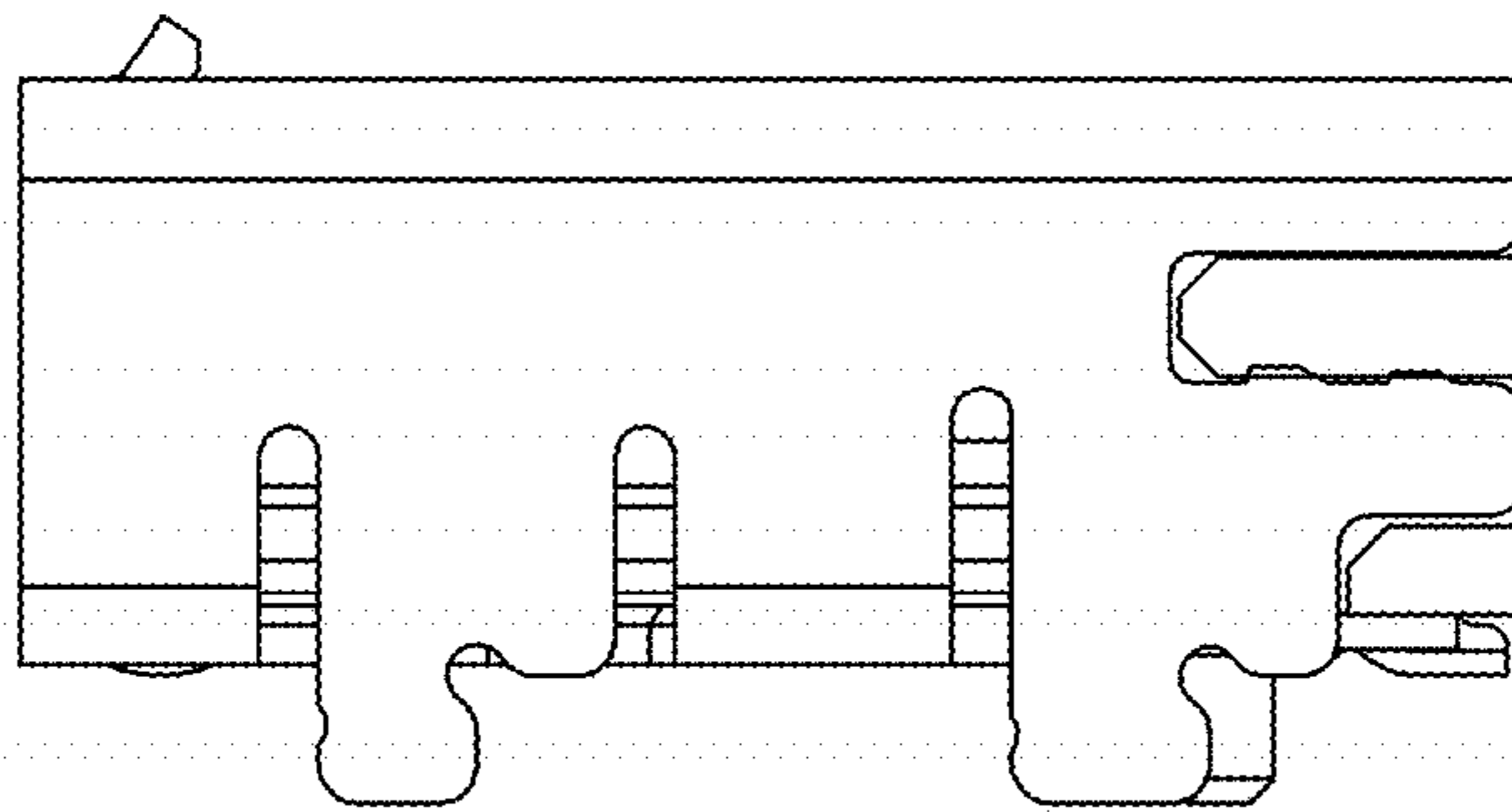


FIG. 6

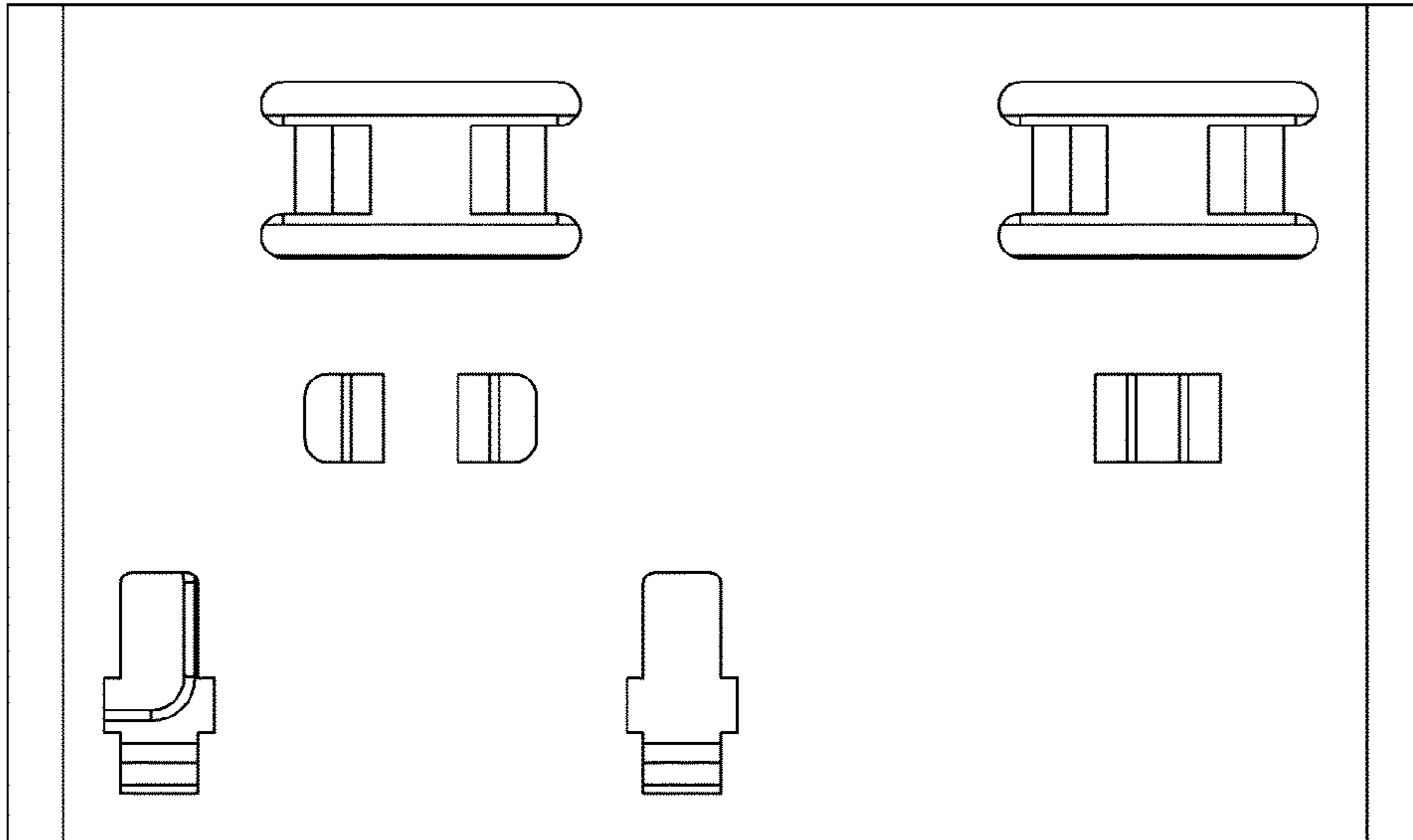


FIG. 7

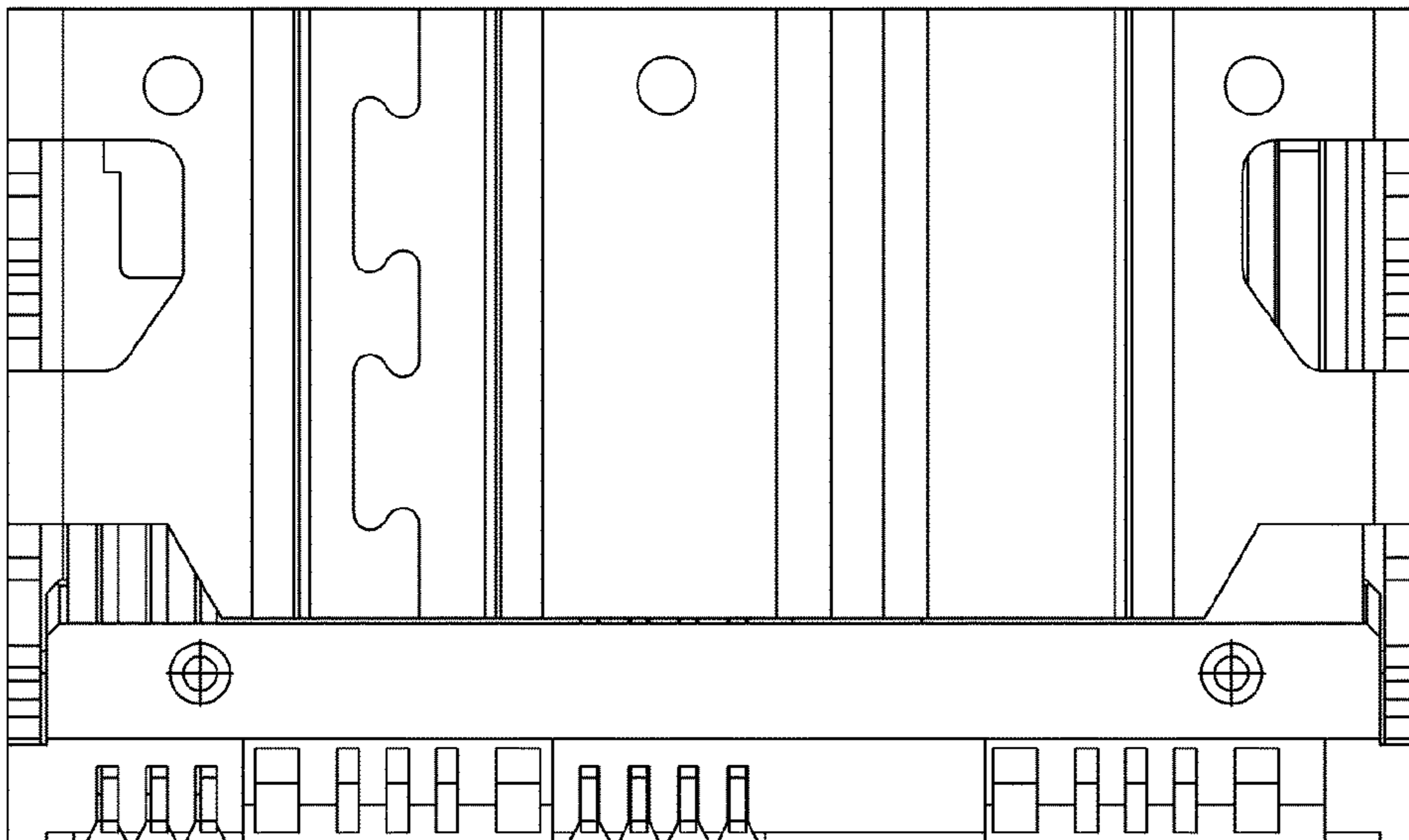


FIG. 8

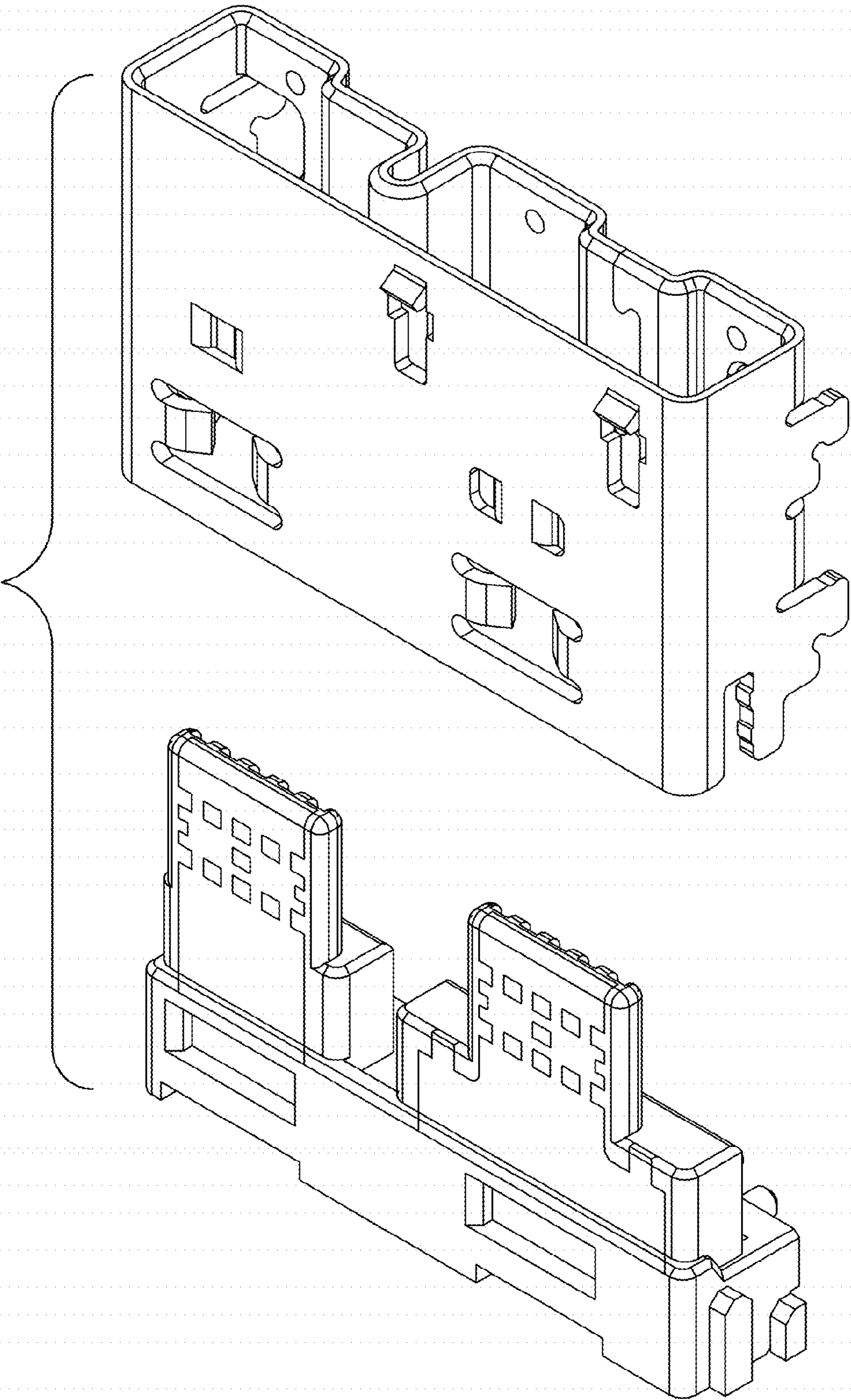


FIG. 9

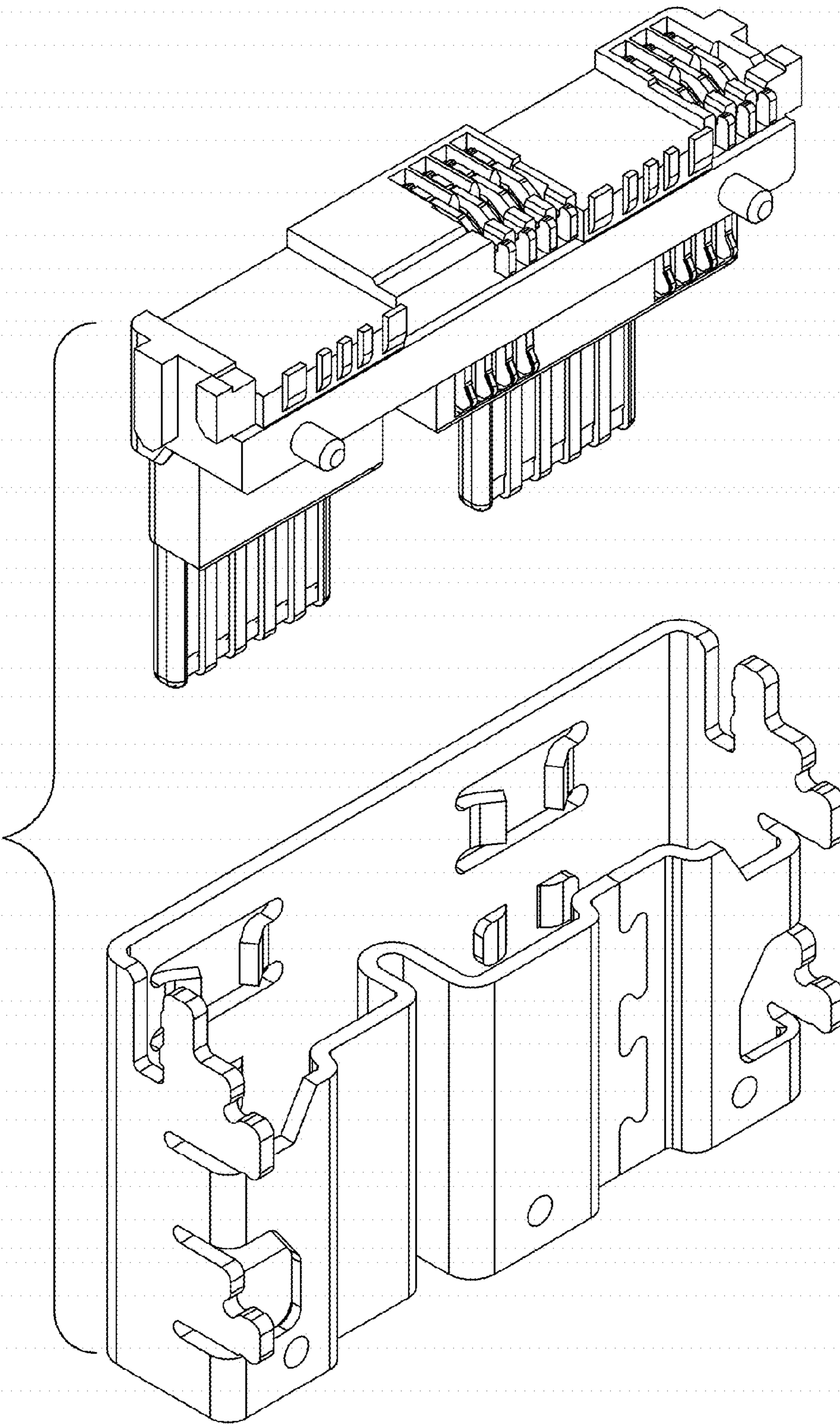


FIG. 10

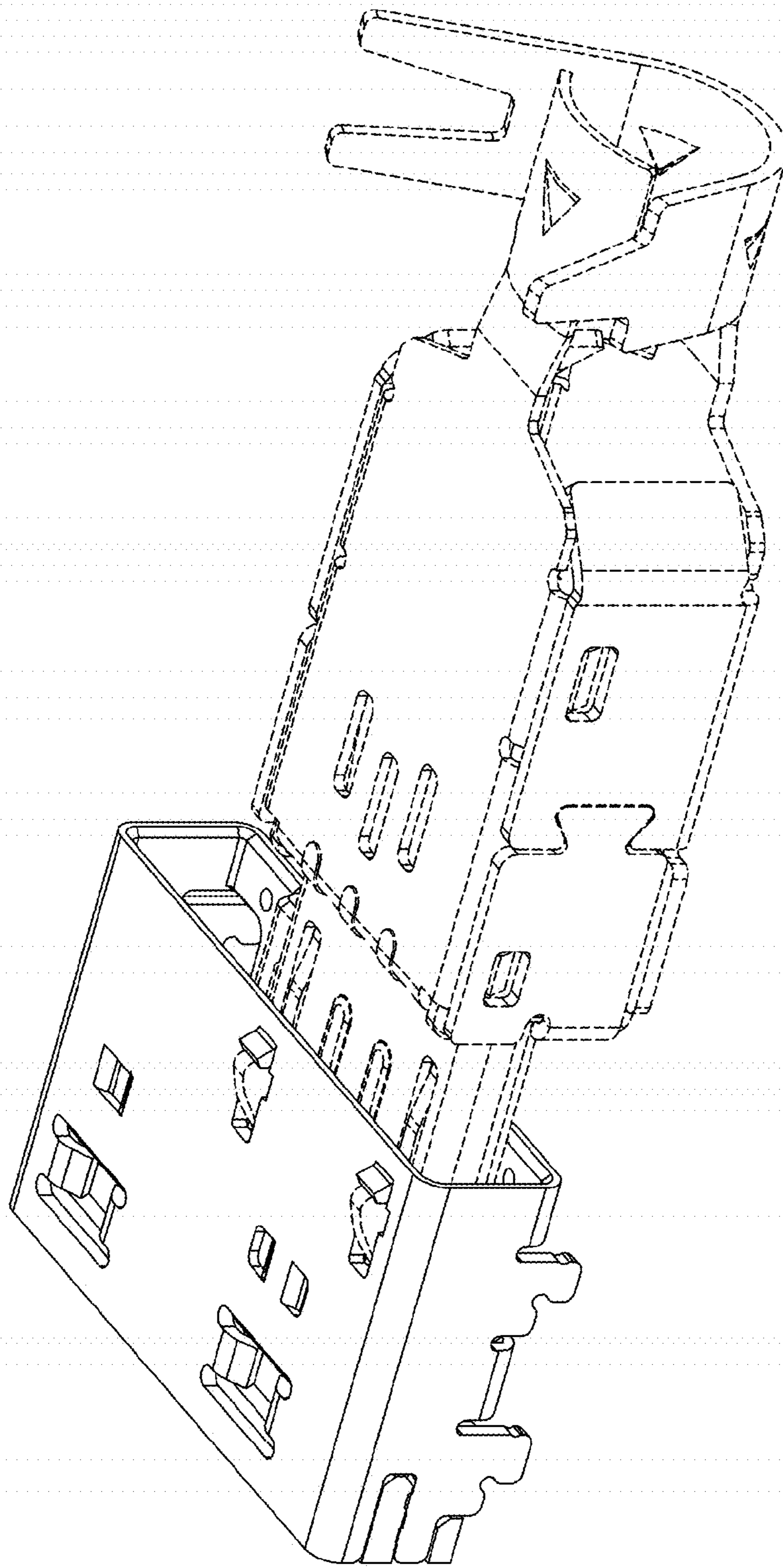


FIG. 11

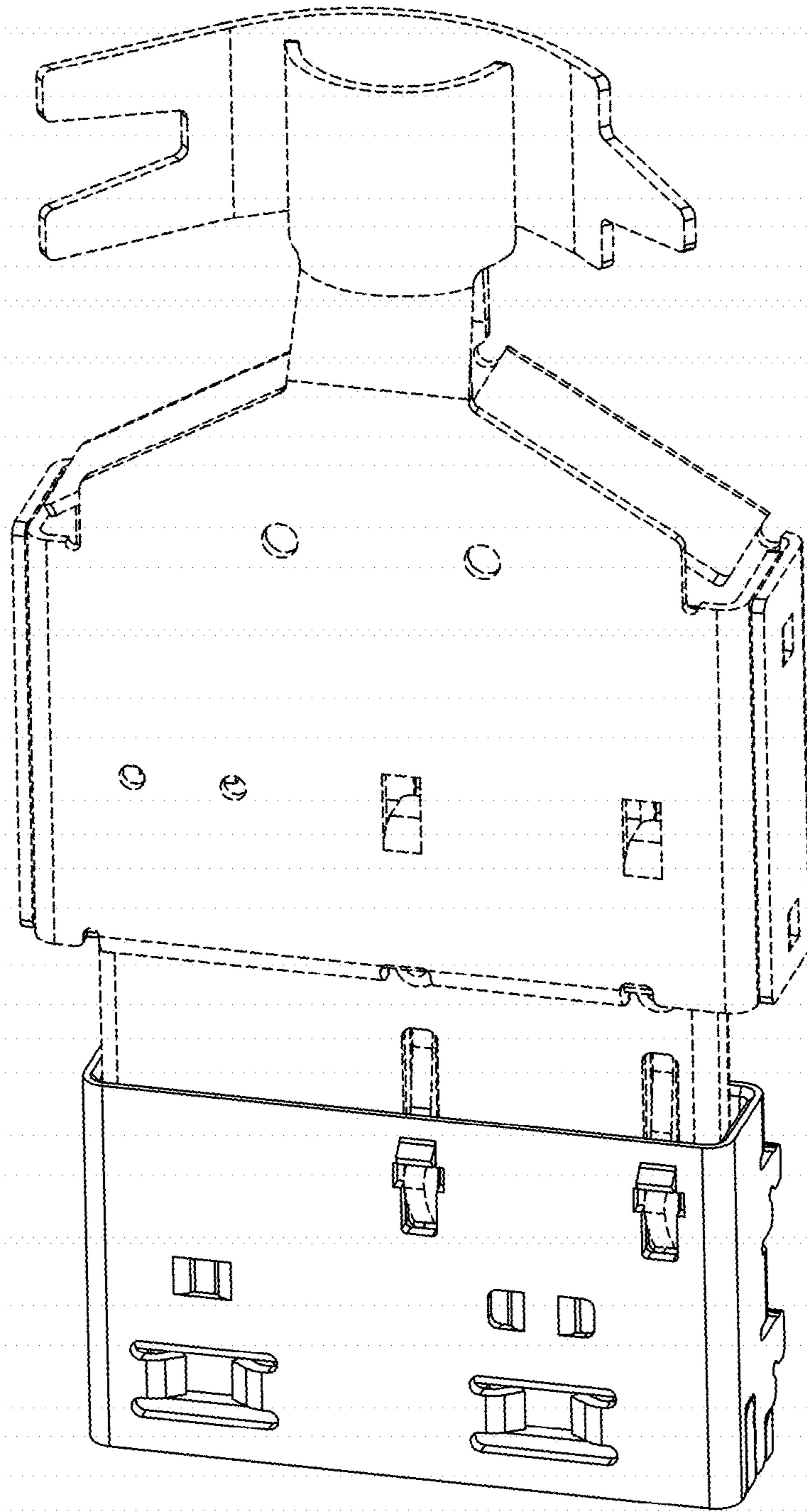


FIG. 12

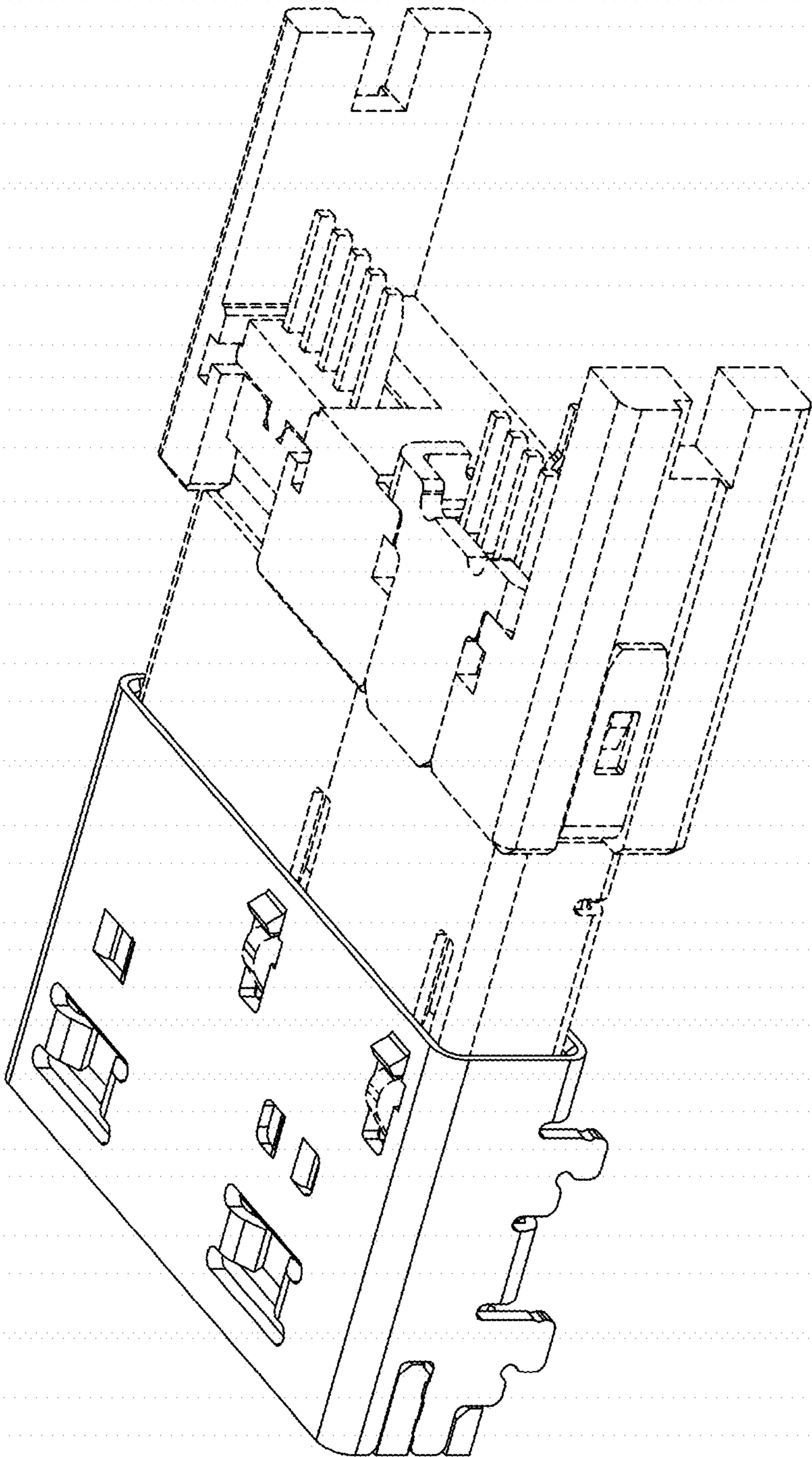


FIG. 13