



US00D681555S

(12) **United States Design Patent**  
**Keates**

(10) **Patent No.:** **US D681,555 S**

(45) **Date of Patent:** **\*\* May 7, 2013**

(54) **CABLE CONNECTOR FOR VEHICLE INSTRUMENTS**

(75) **Inventor:** **John David Keates**, Kelvedon (GB)

(73) **Assignee:** **Lysanda Limited**, Kelvedon, Essex (GB)

(\*\*) **Term:** **14 Years**

(21) **Appl. No.:** **29/387,789**

(22) **Filed:** **Mar. 18, 2011**

(30) **Foreign Application Priority Data**

Sep. 21, 2010 (EM) ..... 001757931-0001

(51) **LOC (9) Cl.** ..... **13-03**

(52) **U.S. Cl.**  
USPC ..... **D13/147**

(58) **Field of Classification Search** ..... D13/126,  
D13/147, 154, 184, 199; 439/34, 35, 36,  
439/180, 246, 258, 278, 374, 378, 379, 381,  
439/527, 529, 533, 892, 894

See application file for complete search history.

(56) **References Cited**

U.S. PATENT DOCUMENTS

D208,551	S	*	9/1967	Geis	.....	D13/133
4,012,106	A	*	3/1977	Filson	.....	439/732
D312,243	S	*	11/1990	Yamamoto	.....	D13/147
D319,998	S	*	9/1991	Kozono	.....	D13/133
D472,524	S	*	4/2003	Yamawaki et al.	.....	D13/147
D546,767	S	*	7/2007	Nishio et al.	.....	D13/147

\* cited by examiner

*Primary Examiner* — Daniel Bui

(74) *Attorney, Agent, or Firm* — Crawford Maunu PLLC

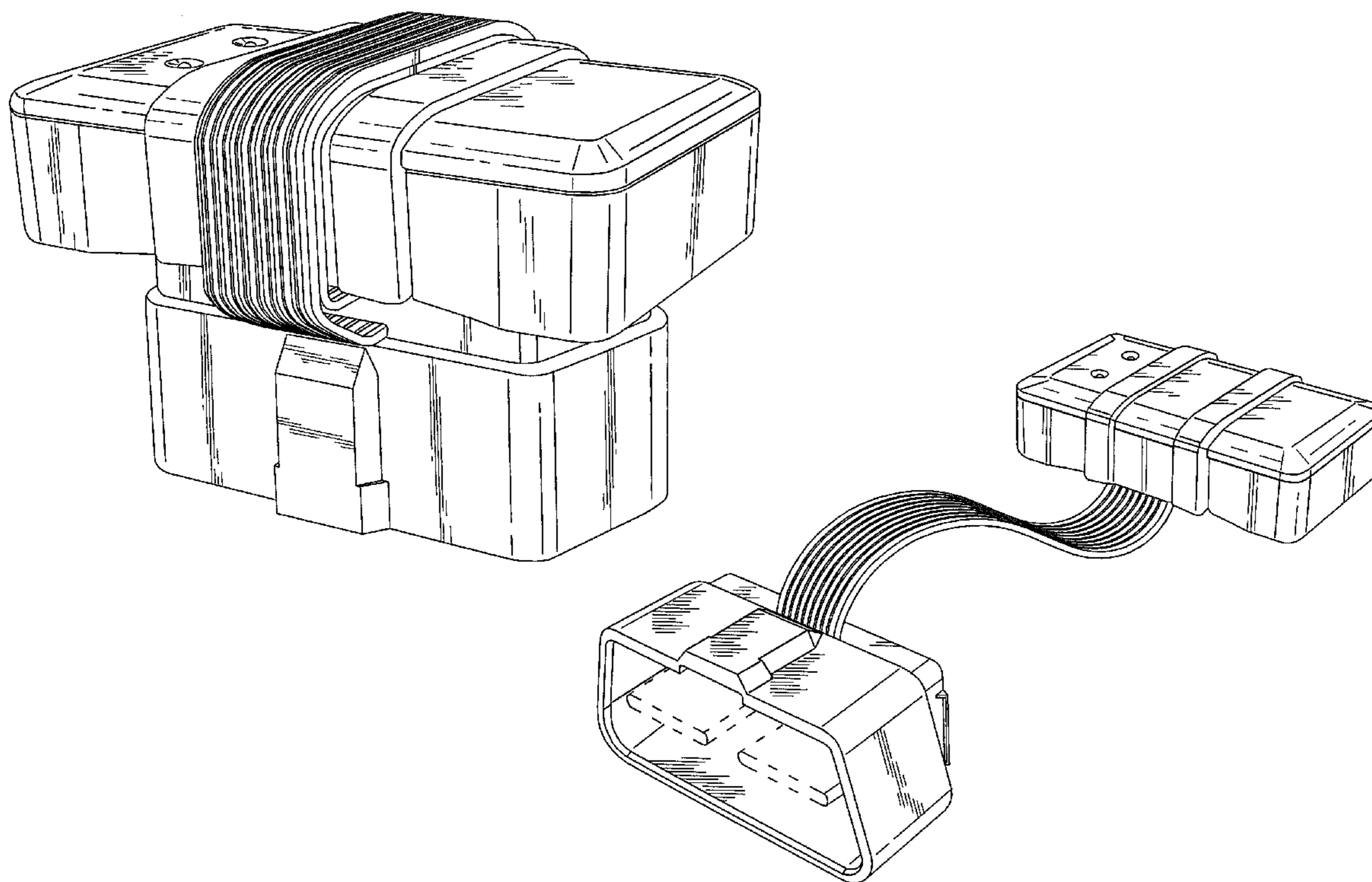
(57) **CLAIM**

The ornamental design for a cable connector for vehicle instruments, as shown and described.

**DESCRIPTION**

FIG. 1 is a front right perspective view of a cable connector for vehicle instruments showing my new design; FIG. 2 is a front elevational view thereof; FIG. 3 is a rear elevational view thereof; FIG. 4 is a top plan view thereof; FIG. 5 is a bottom plan view thereof; FIG. 6 is a right elevational view thereof; FIG. 7 is a left elevational view thereof; and, FIG. 8 is a front elevational view thereof in an expanded configuration.

**1 Claim, 5 Drawing Sheets**



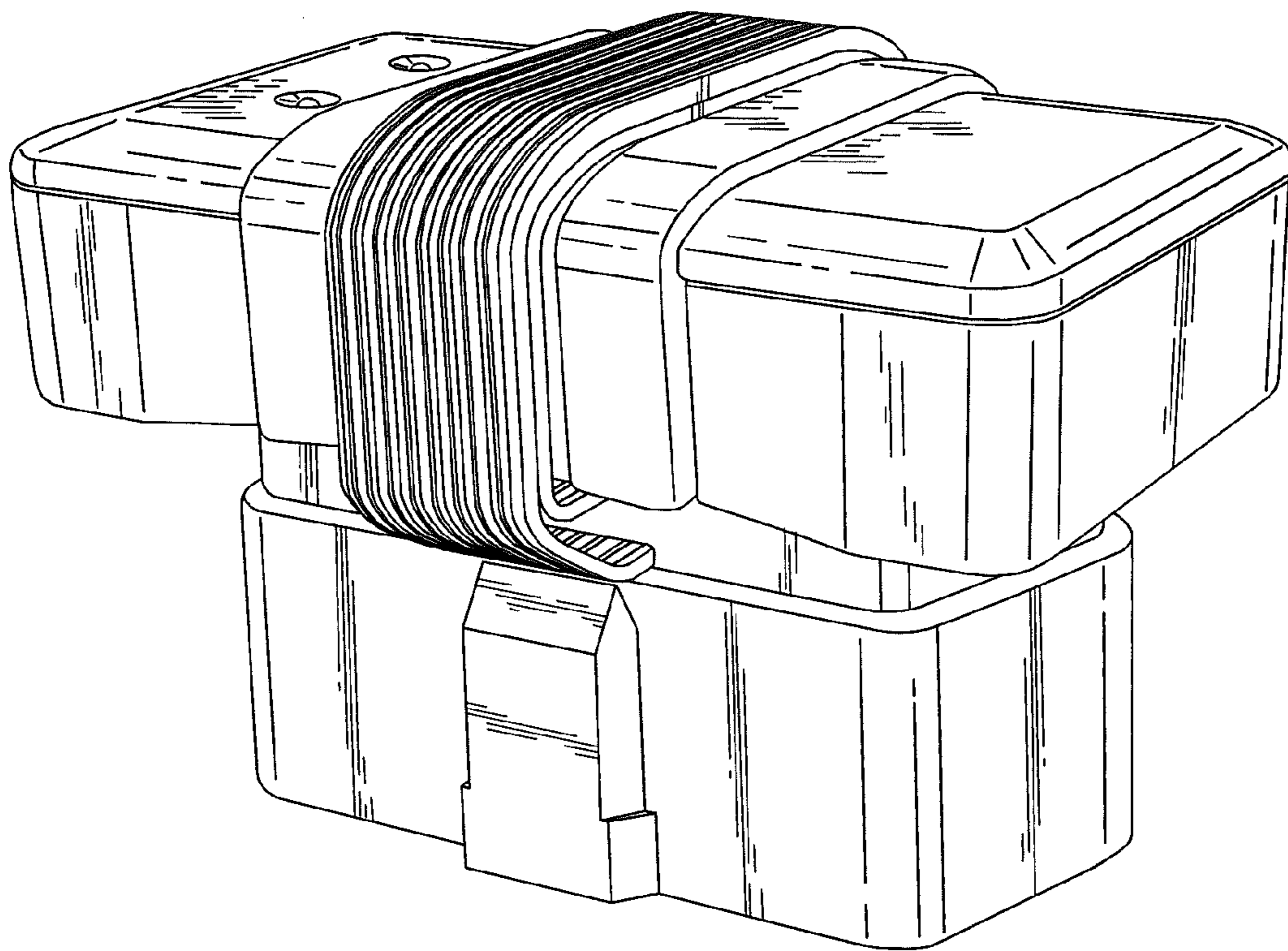


FIG. 1

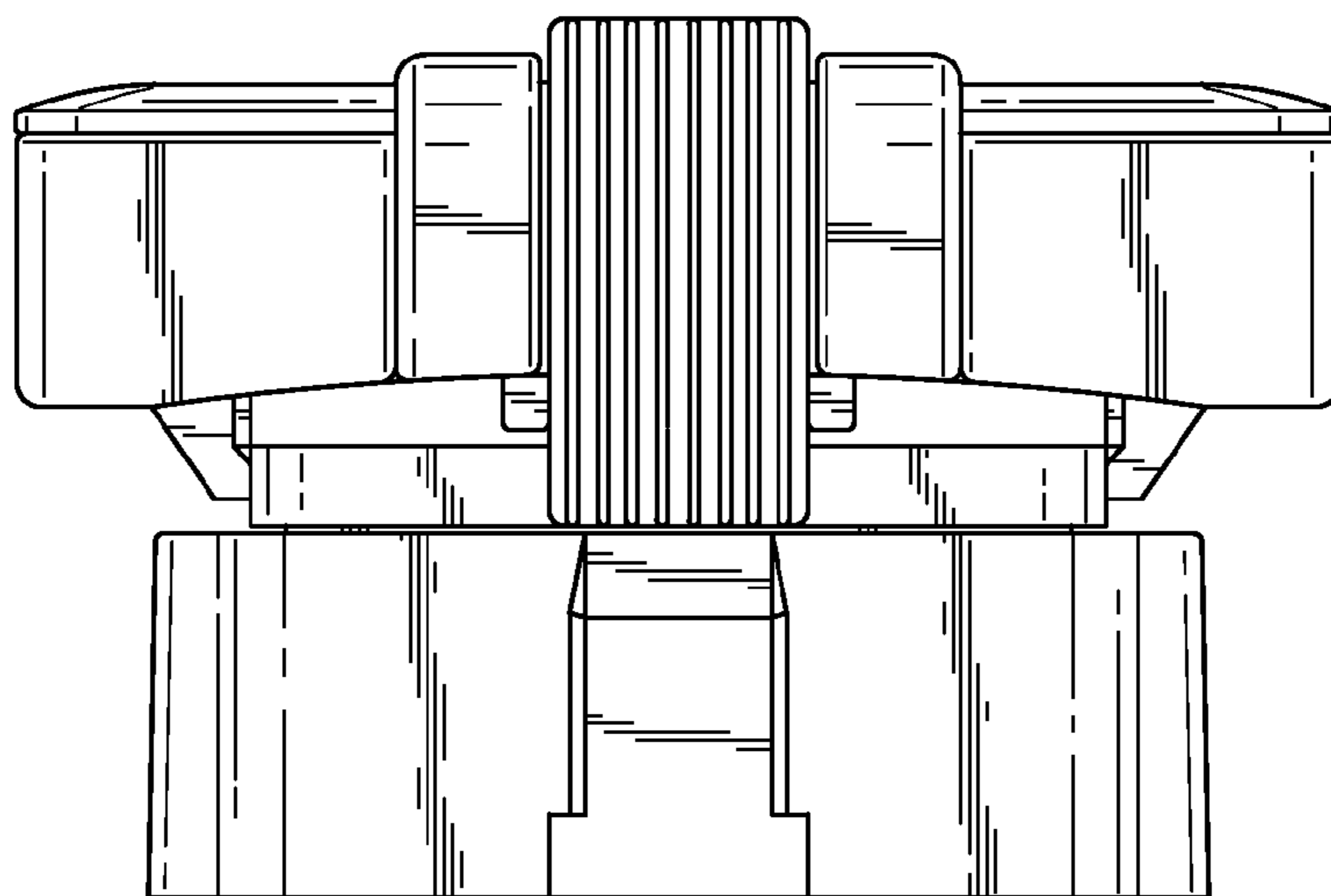


FIG. 2

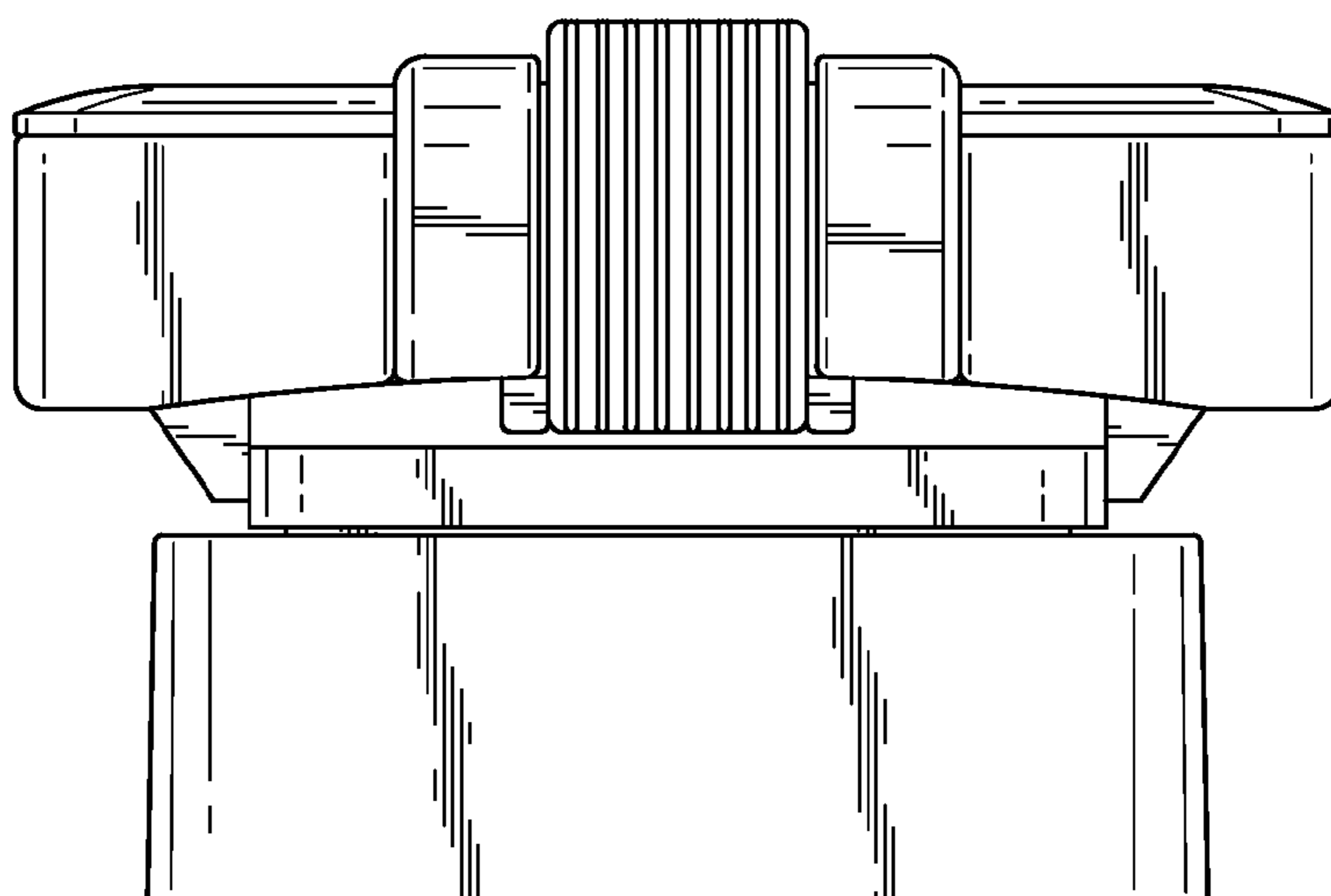


FIG. 3

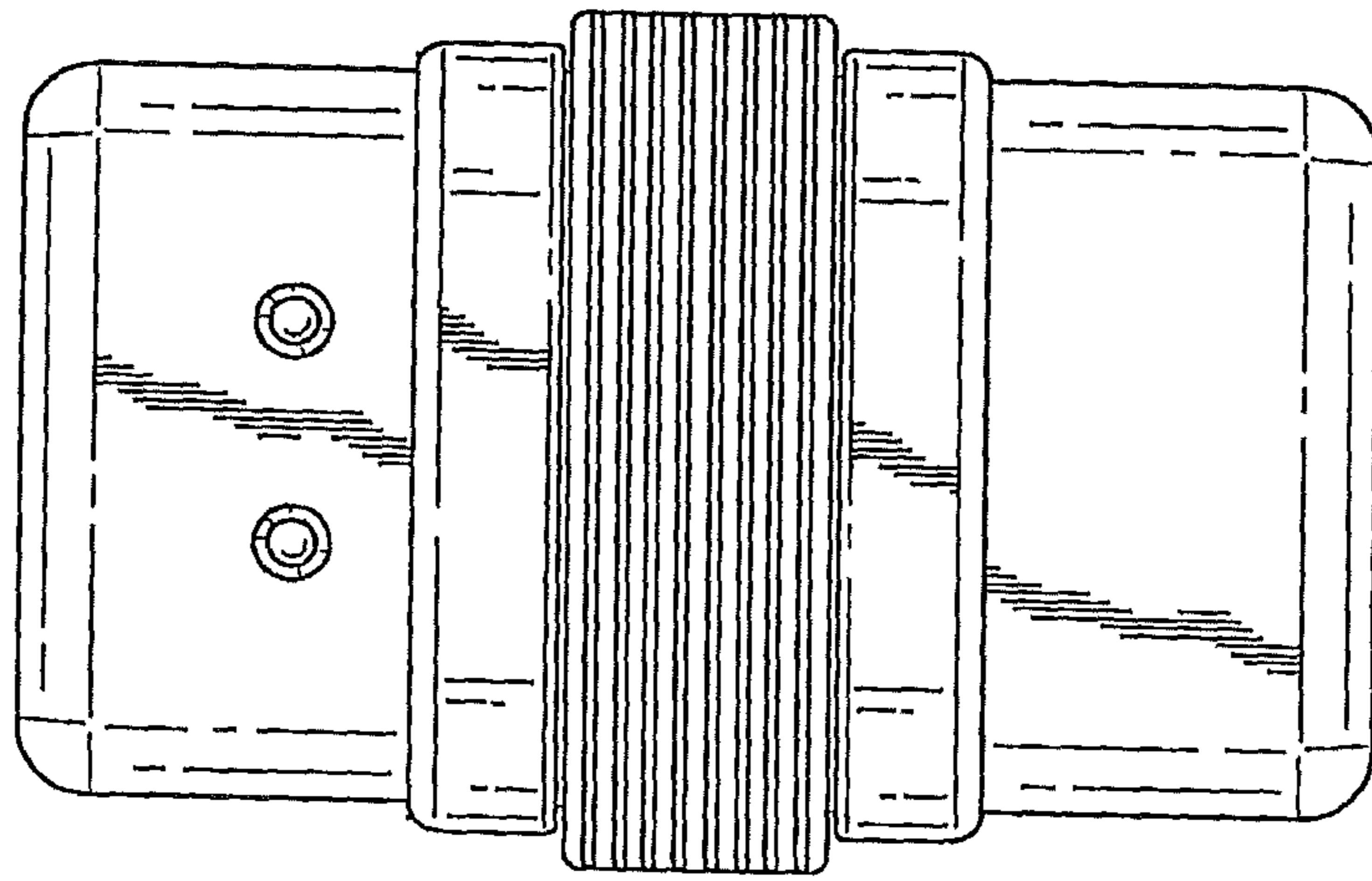


FIG. 4

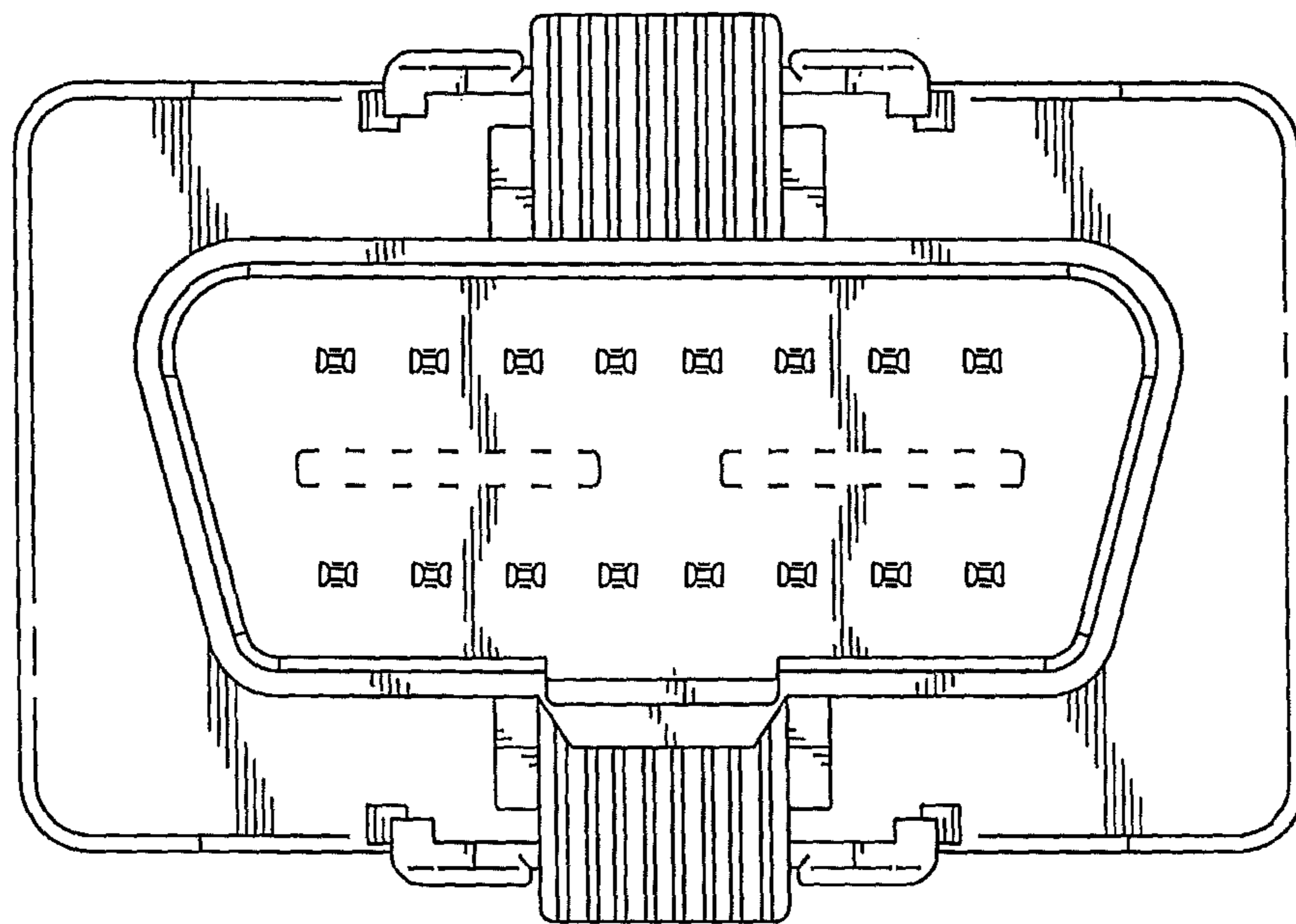


FIG. 5

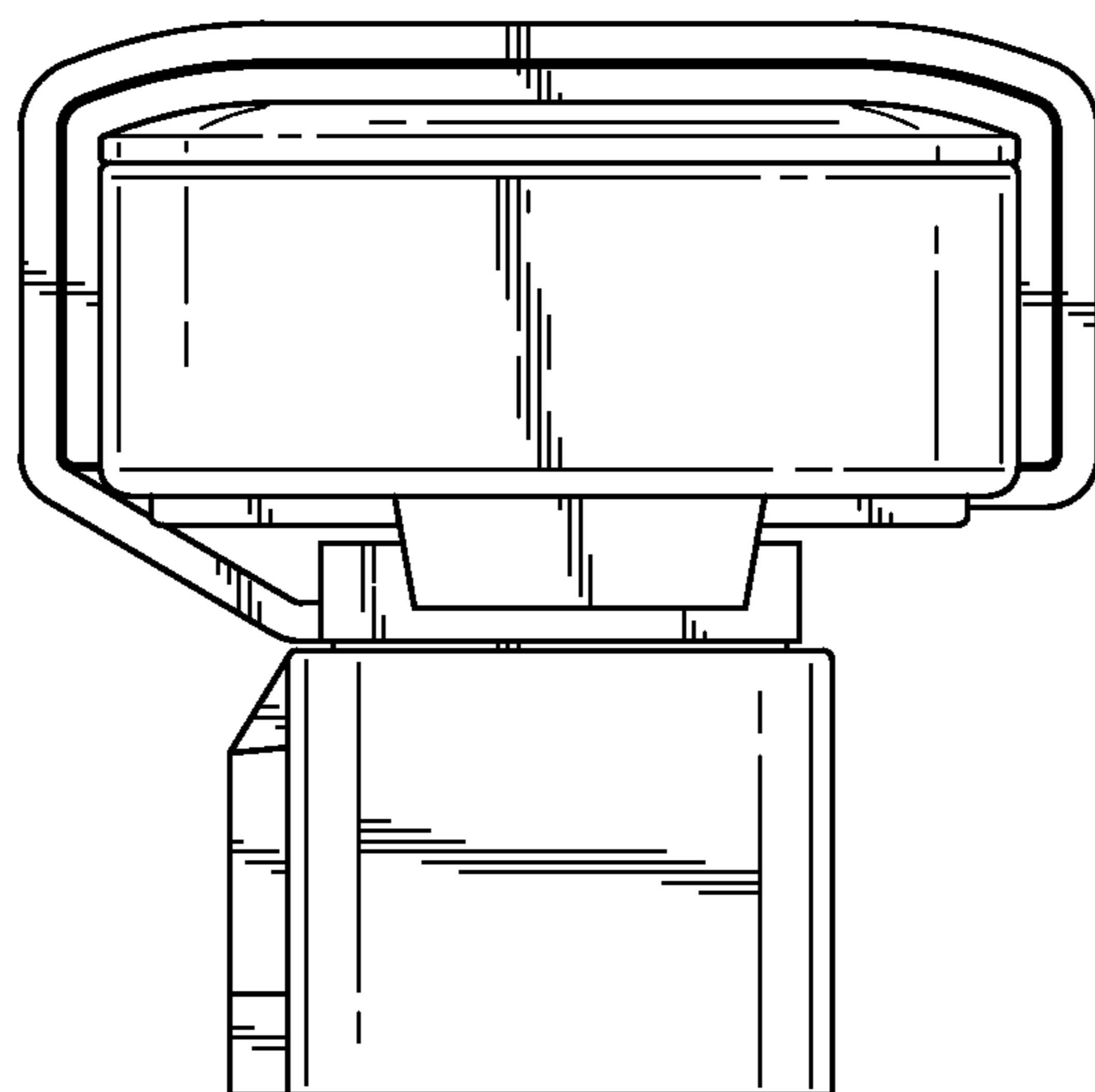


FIG. 6

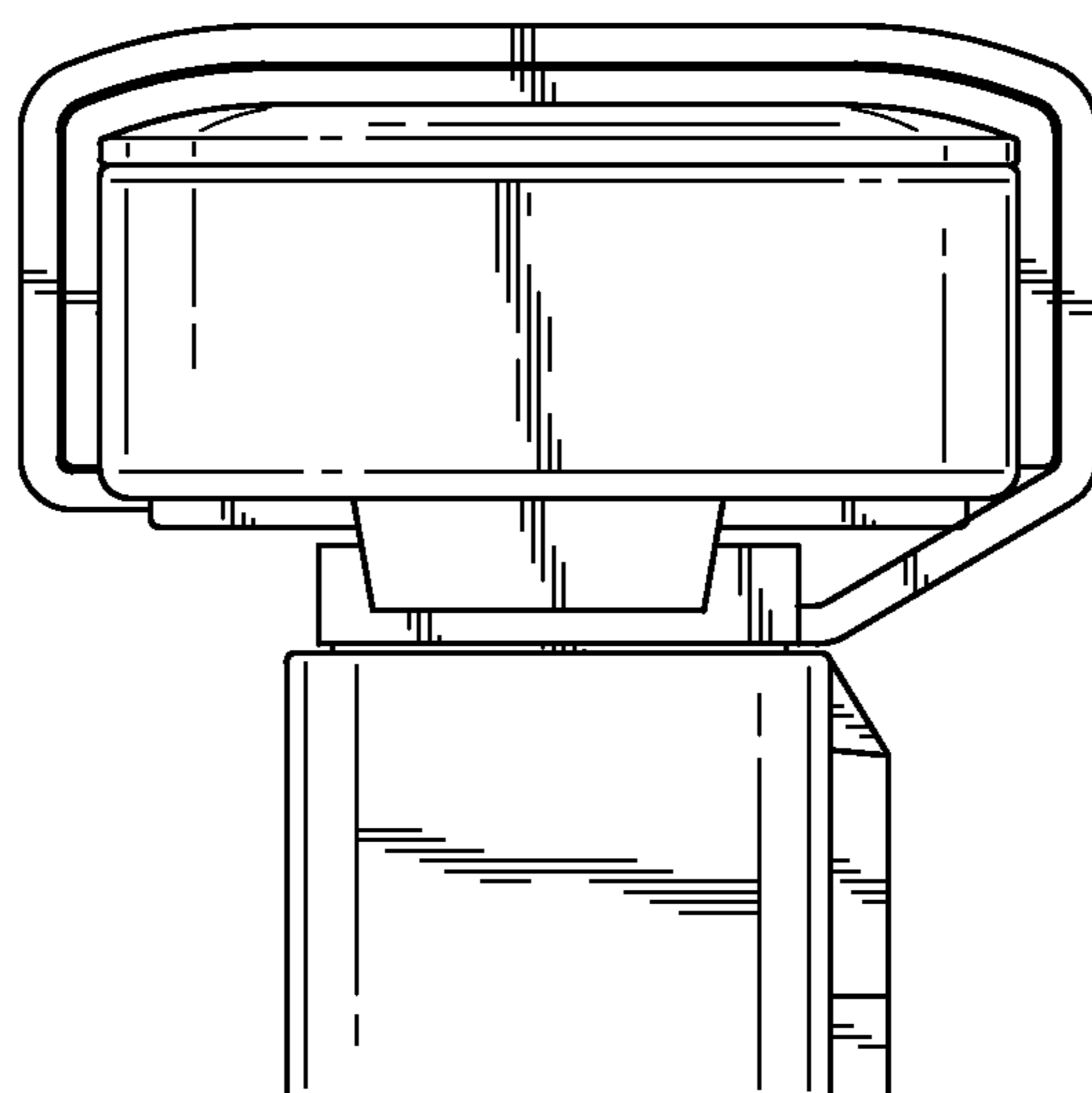


FIG. 7

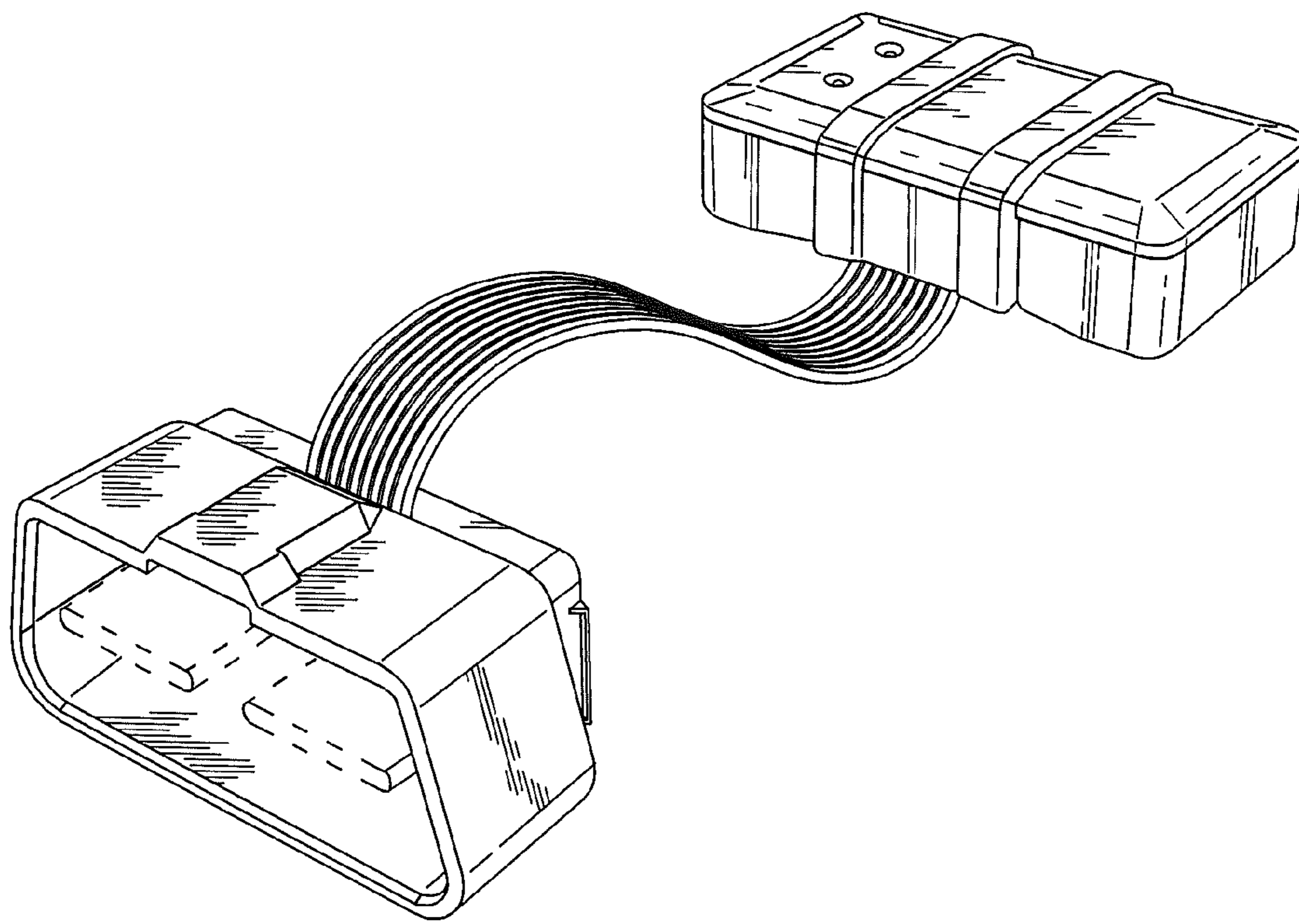


FIG. 8