



US00D681554S

(12) **United States Design Patent**
Nelson et al.

(10) **Patent No.:** **US D681,554 S**

(45) **Date of Patent:** **** *May 7, 2013**

(54) **ELECTRICAL PLUG**

(75) Inventors: **Michael Ray Nelson**, Peachtree City, GA (US); **Erik Jeffrey Gouhl**, Fayetteville, GA (US); **Dai Vo**, McDonough, GA (US); **Yogesh Vitthal Borkar**, Peachtree City, GA (US); **Ming Tang**, Shanghai (CN)

(73) Assignee: **Cooper Technologies Company**, Houston, TX (US)

(*) Notice: This patent is subject to a terminal disclaimer.

(**) Term: **14 Years**

(21) Appl. No.: **29/400,270**

(22) Filed: **Aug. 25, 2011**

(51) **LOC (9) Cl.** **13-03**

(52) **U.S. Cl.**
USPC **D13/137.3; D13/137.2**

(58) **Field of Classification Search** D13/107, D13/109, 110, 112, 114, 130, 132, 137, 137.1, D13/137.2, 137.3, 137.4, 138.1, 139.1, 139.2, D13/139.4, 139.5, 139.7, 139.8, 146, 147, D13/152, 160, 161, 164, 199
See application file for complete search history.

(56) **References Cited**

U.S. PATENT DOCUMENTS

D462,056 S * 8/2002 Chung D13/137.1

D540,257 S * 4/2007 Ivanova et al. D13/137.2
D549,650 S * 8/2007 Russell et al. D13/137.2
D636,336 S * 4/2011 Clark D13/137.2
D657,314 S * 4/2012 Ruffner D13/139.1
D669,433 S * 10/2012 Lee D13/110

OTHER PUBLICATIONS

<http://www.styleceo.com/dib-gs-dib-gs-kb-2mfd-clear-lighted-tap-kb-2mfd-72296818/p/7> ... searched RMS Dec. 11, 2012.*

* cited by examiner

Primary Examiner — Robert M Spear

Assistant Examiner — Rhea Shields

(74) *Attorney, Agent, or Firm* — King & Spalding LLP

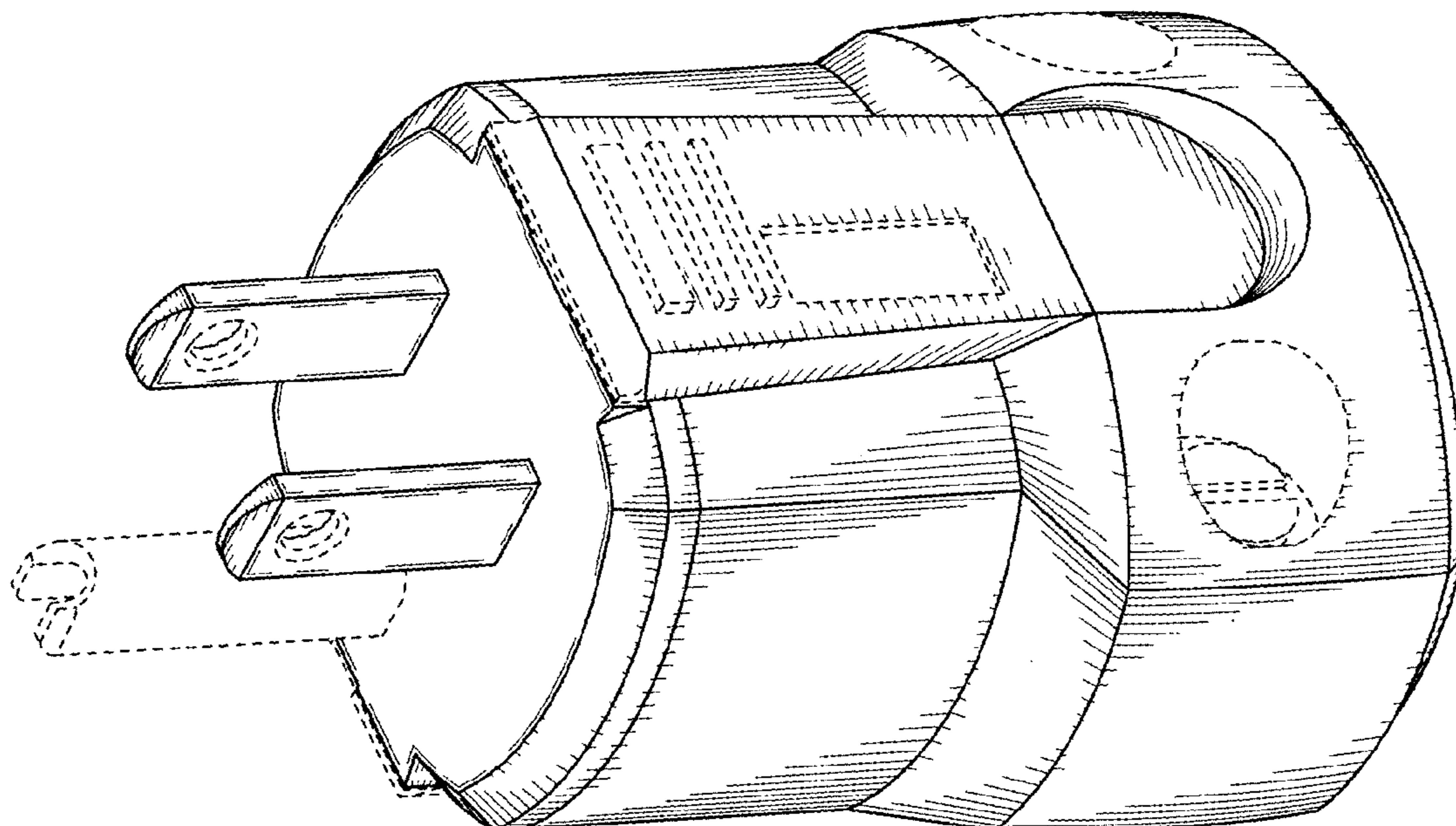
(57) **CLAIM**

The ornamental design for an electrical plug, as shown and described.

DESCRIPTION

FIG. 1 is a top perspective view of an electrical plug, showing our new design;
FIG. 2 is a bottom perspective view thereof;
FIG. 3 is a top plan view thereof;
FIG. 4 is a bottom plan view thereof;
FIG. 5 is a left-side elevation view thereof;
FIG. 6 is a right-side elevation view thereof;
FIG. 7 is a front elevation view thereof; and,
FIG. 8 is a rear elevation view thereof.
The broken lines shown represent unclaimed subject matter and form no part of the claimed design.

1 Claim, 4 Drawing Sheets



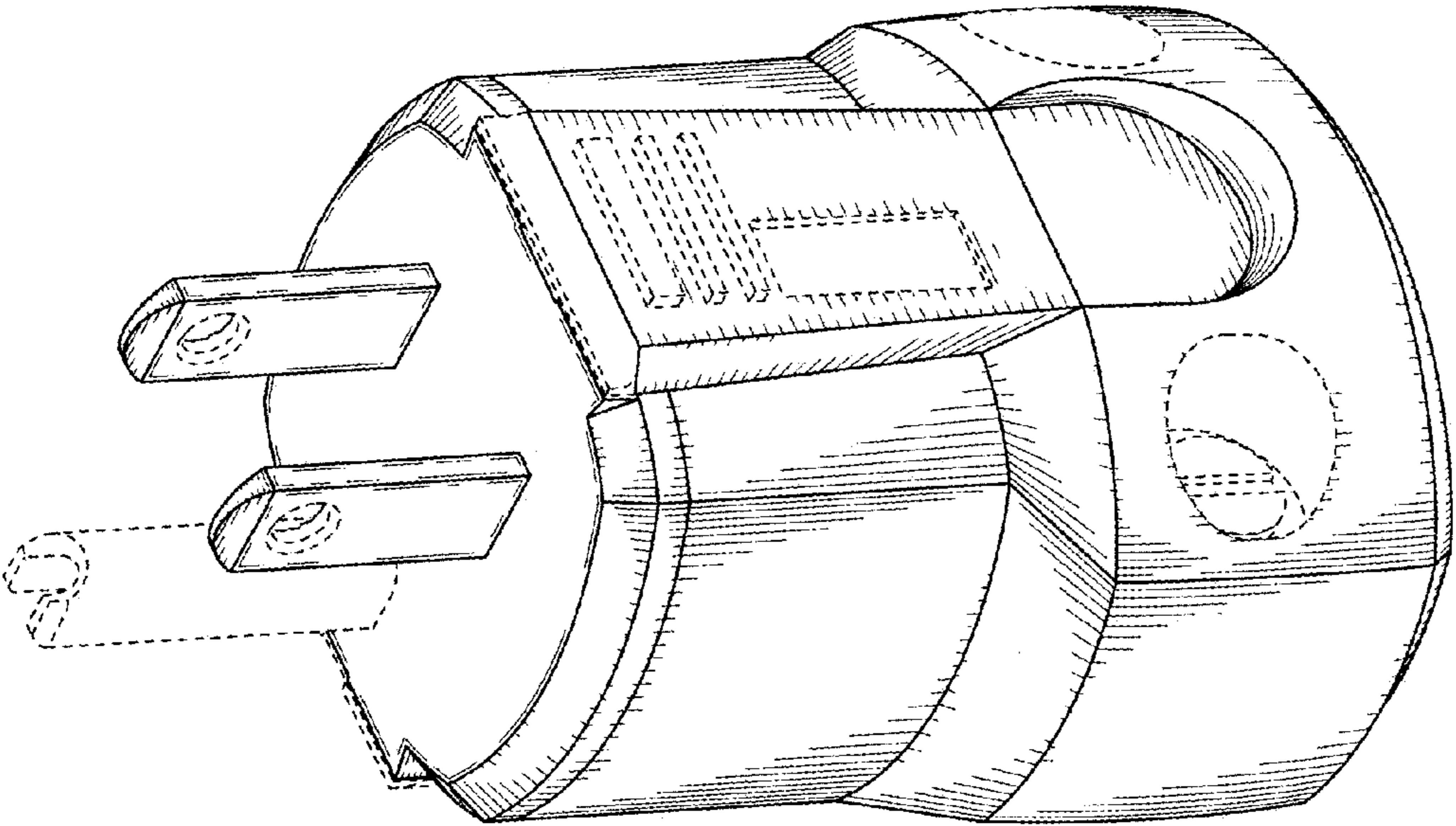


FIG. 1

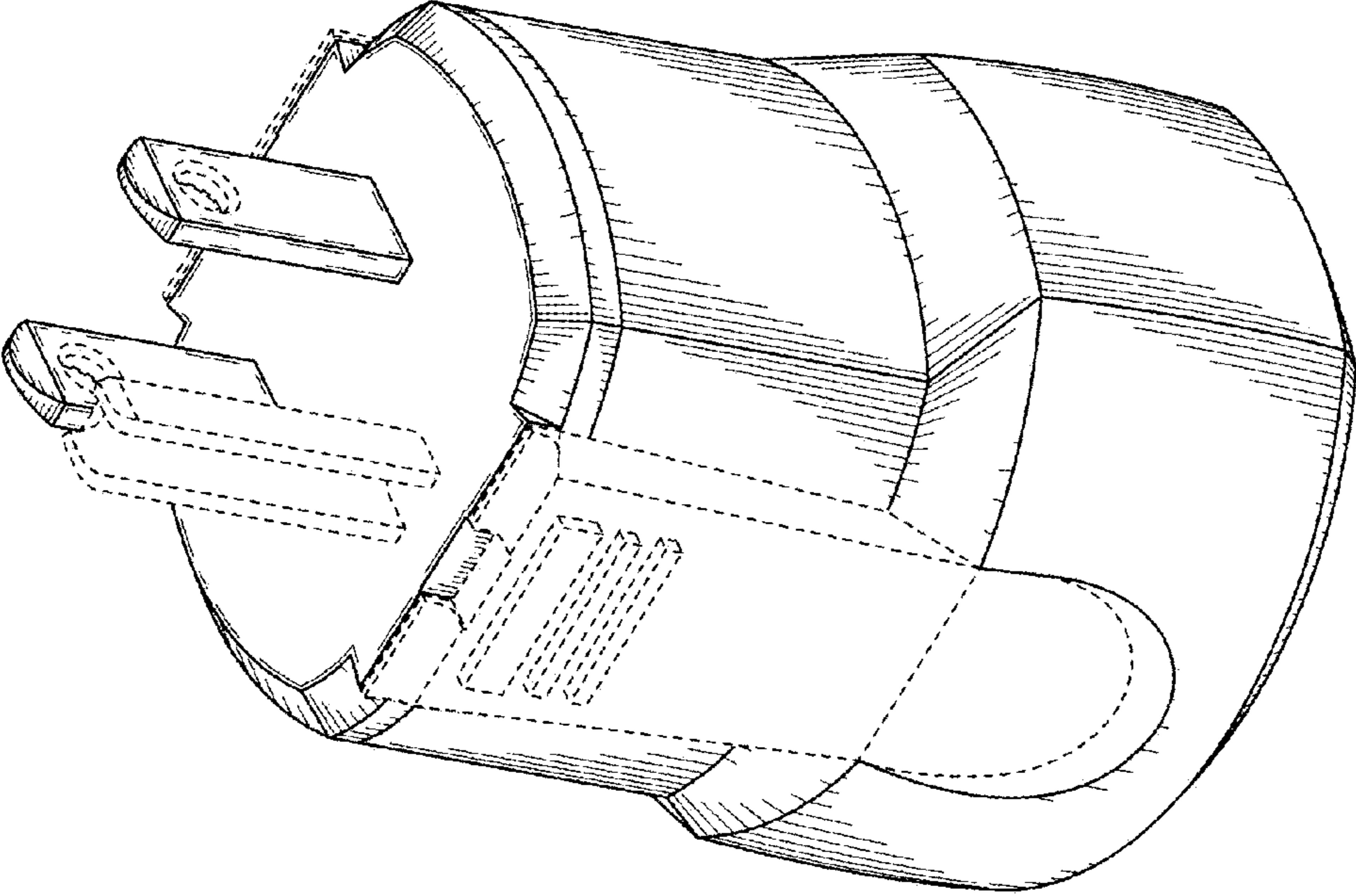


FIG. 2

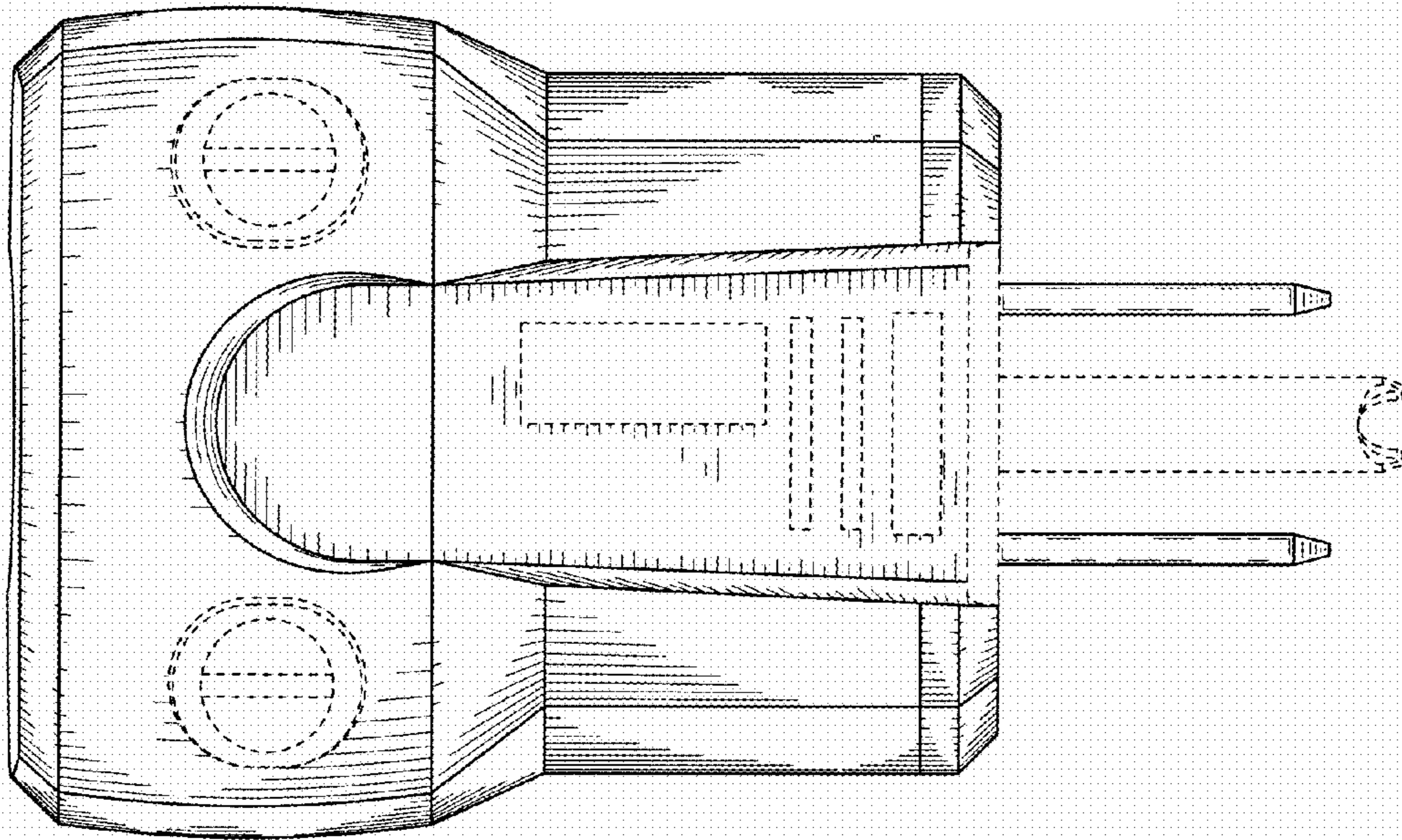


FIG. 3

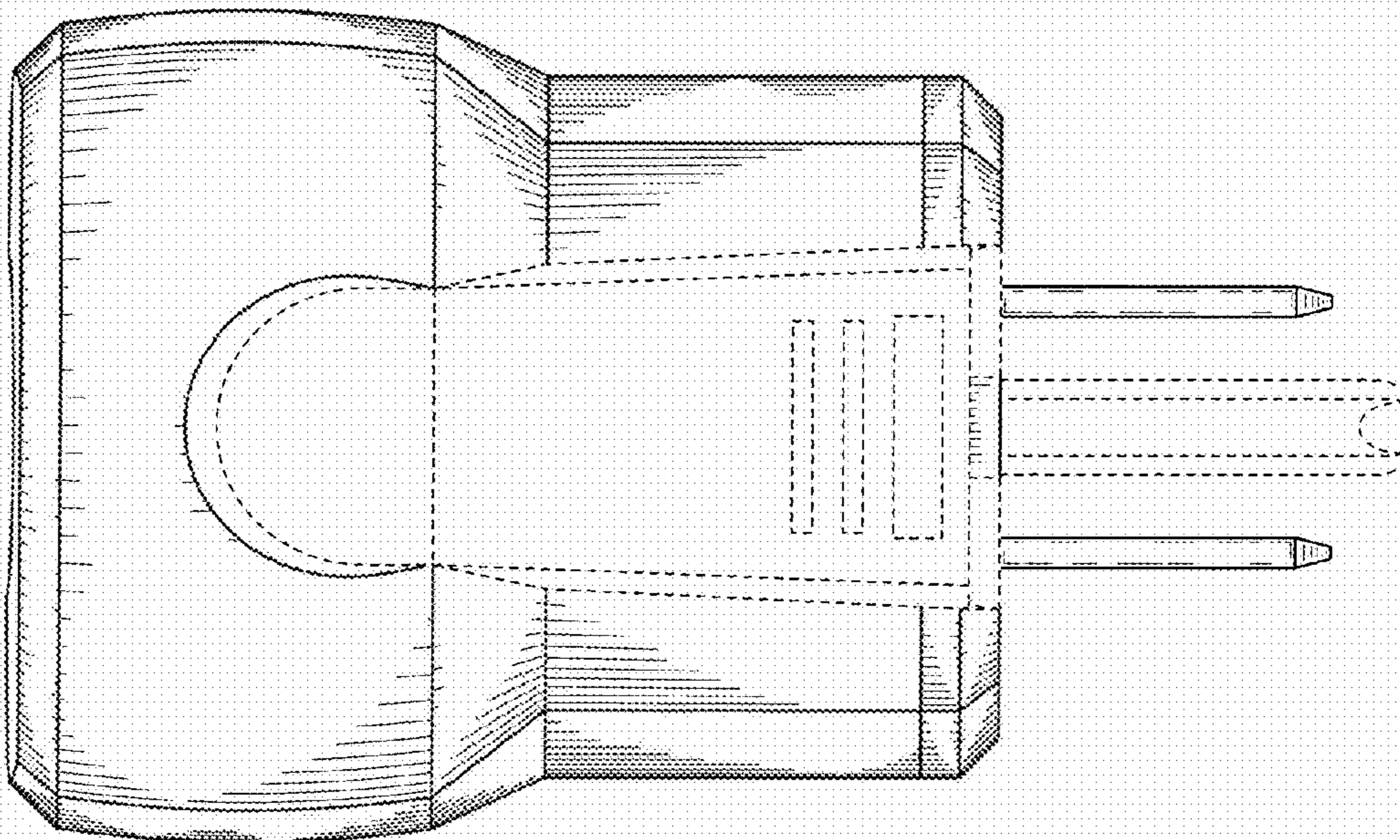


FIG. 4

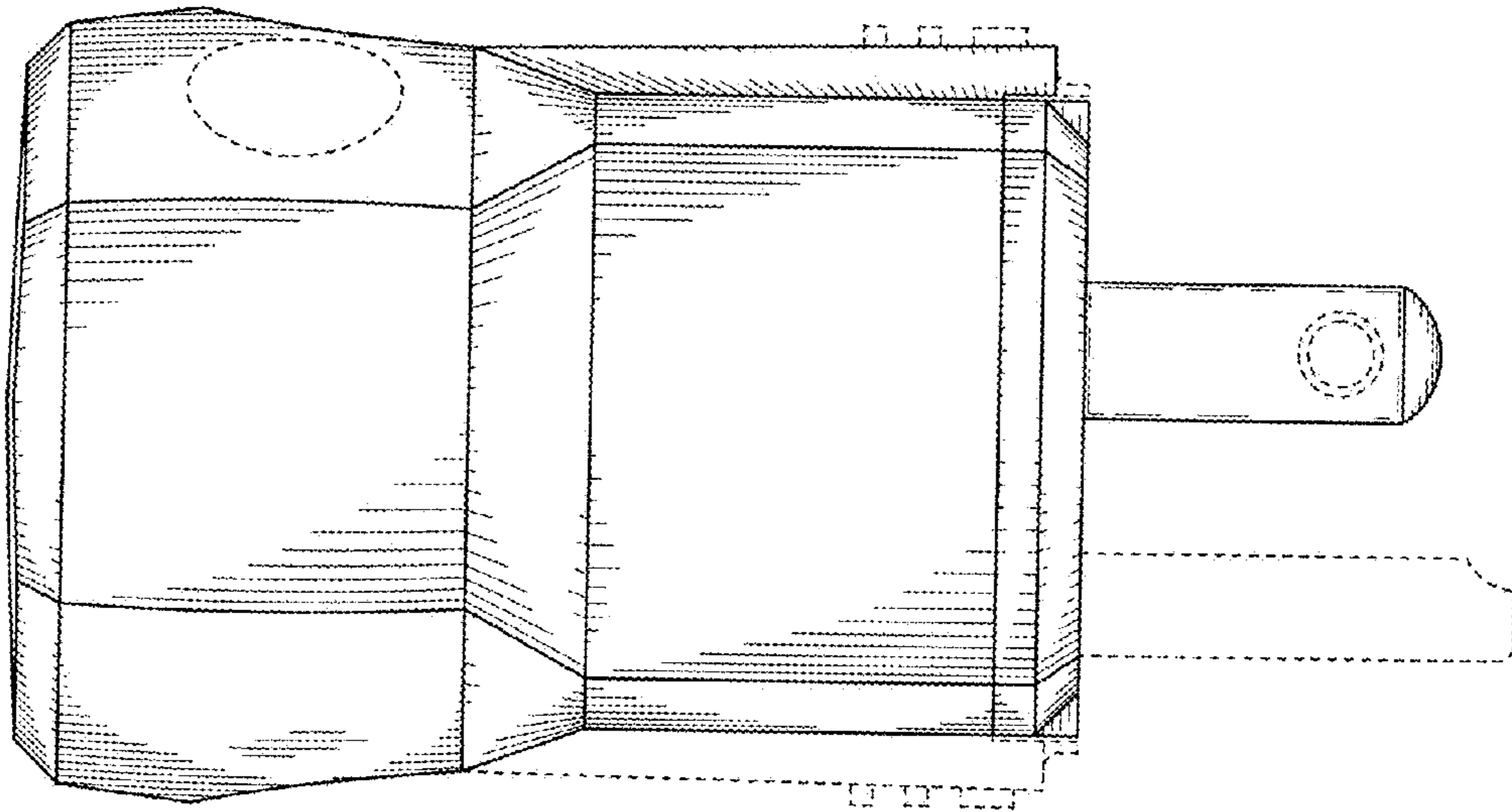


FIG. 5

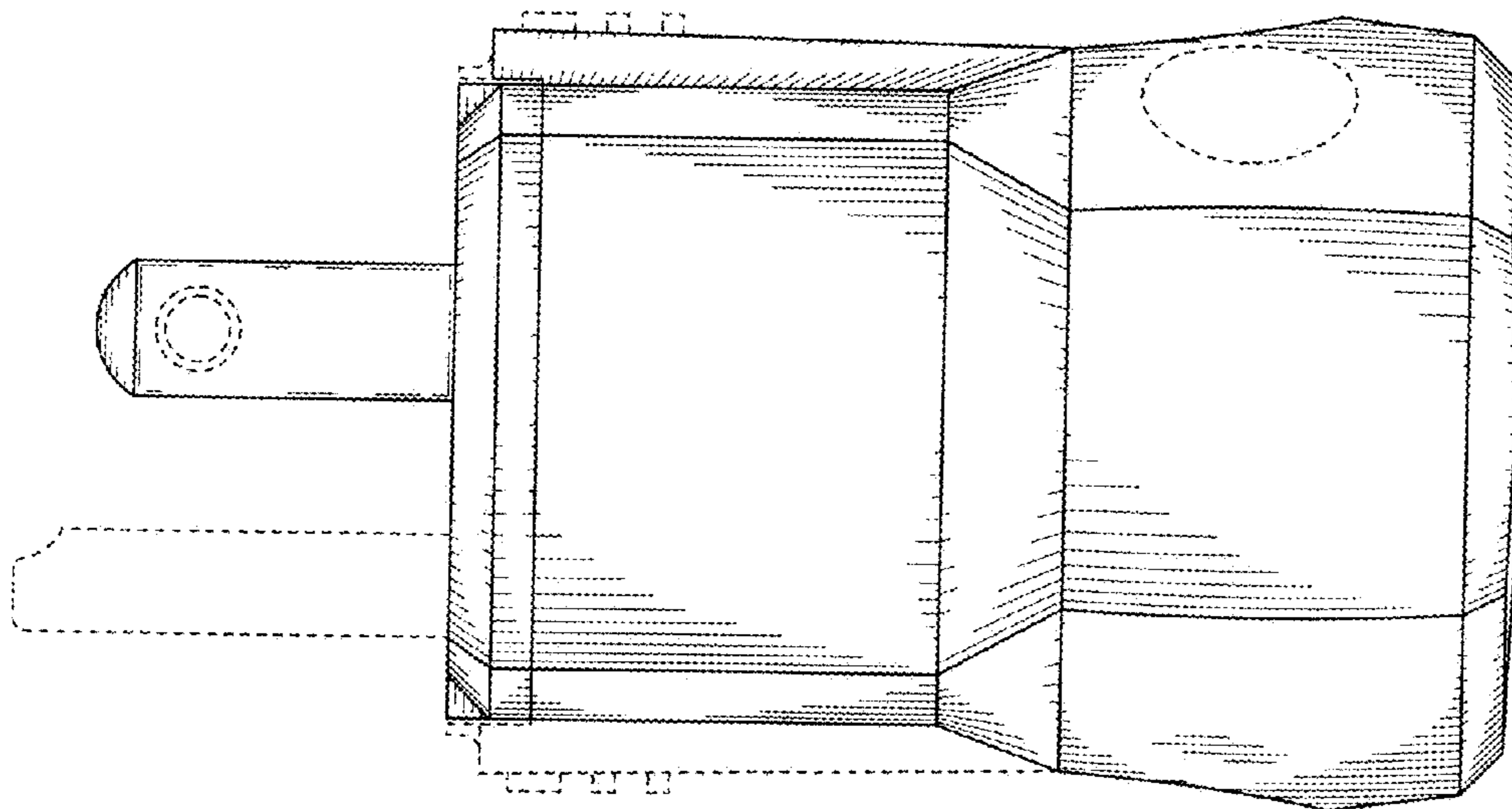


FIG. 6

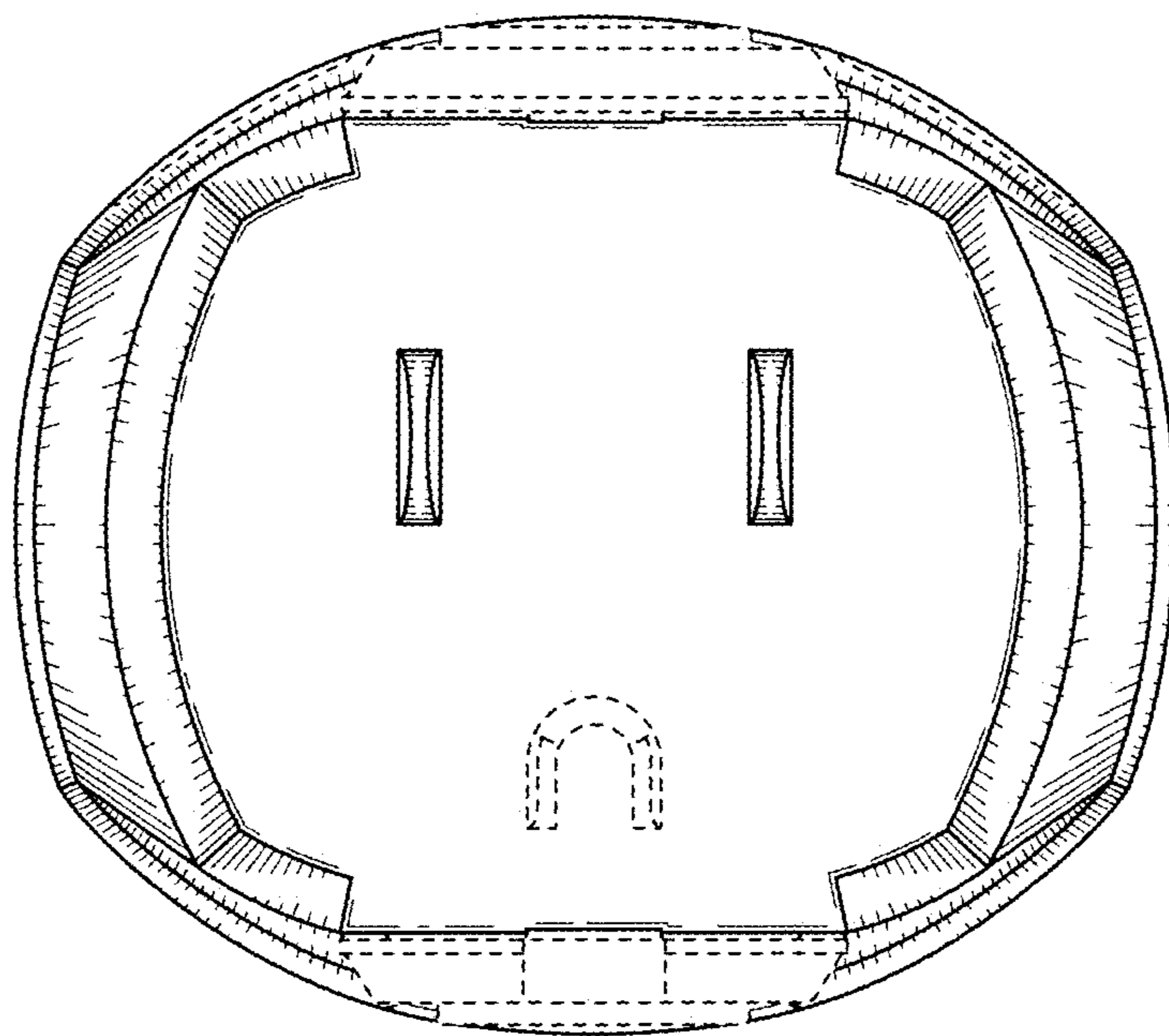


FIG. 7

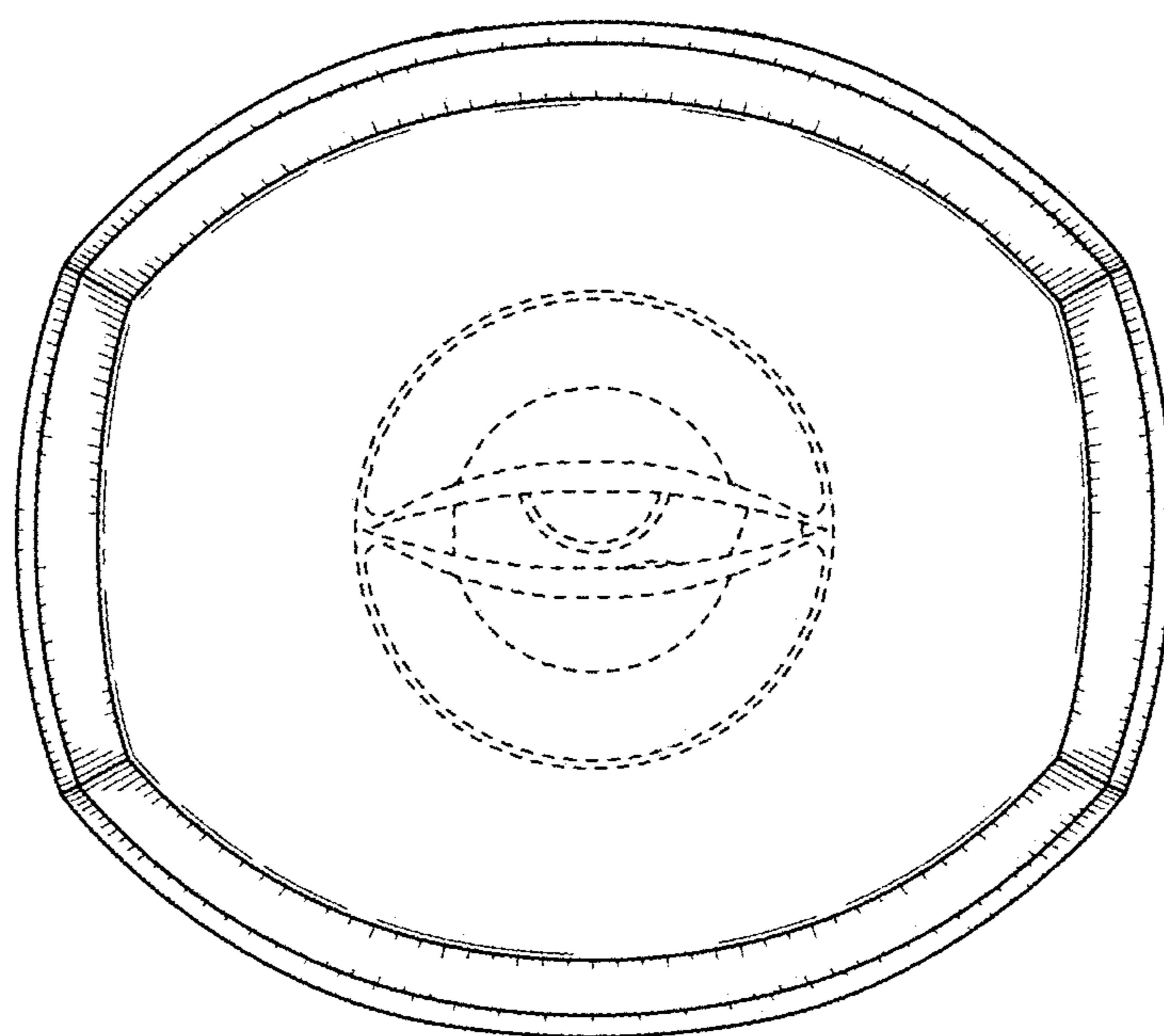


FIG. 8