



US00D681553S

(12) **United States Design Patent**
Rees

(10) **Patent No.:** **US D681,553 S**

(45) **Date of Patent:** **** May 7, 2013**

(54) **GENERATOR**

(75) Inventor: **Samuel Ryan Rees**, Sheffield (GB)

(73) Assignee: **Evolution Power Tools Limited** (GB)

(**) Term: **14 Years**

(21) Appl. No.: **29/404,674**

(22) Filed: **Oct. 24, 2011**

(51) **LOC (9) Cl.** **13-01**

(52) **U.S. Cl.**
USPC **D13/116**

(58) **Field of Classification Search** D13/116,
D13/112, 114, 122, 184, 199; D6/329, 462;
D15/33; D34/12, 17, 23, 24, 26; 219/56,
219/57; 290/1 A, 1 B, 1 R; 307/150, 153;
310/50, 89, 158, 418; 123/2, 3

See application file for complete search history.

(56) **References Cited**

U.S. PATENT DOCUMENTS

D441,714 S * 5/2001 Yuzuriha D13/116
D487,251 S * 3/2004 Guion D13/112
D494,929 S * 8/2004 Imai D13/116

6,935,642 B1 * 8/2005 Craig et al. 280/47.24
D563,870 S * 3/2008 Naghshineh D13/114
D570,777 S * 6/2008 Glass et al. D13/116
D618,170 S * 6/2010 Miller D13/114
D618,615 S * 6/2010 Basic et al. D13/114

* cited by examiner

Primary Examiner — Derrick Holland

(74) *Attorney, Agent, or Firm* — Clark Hill PLC

(57) **CLAIM**

The ornamental design for a generator, as shown and described.

DESCRIPTION

FIG. 1 is a perspective view of a generator showing my new design;

FIG. 2 is a top plan view thereof;

FIG. 3 is a bottom plan view thereof;

FIG. 4 is a front elevation view thereof;

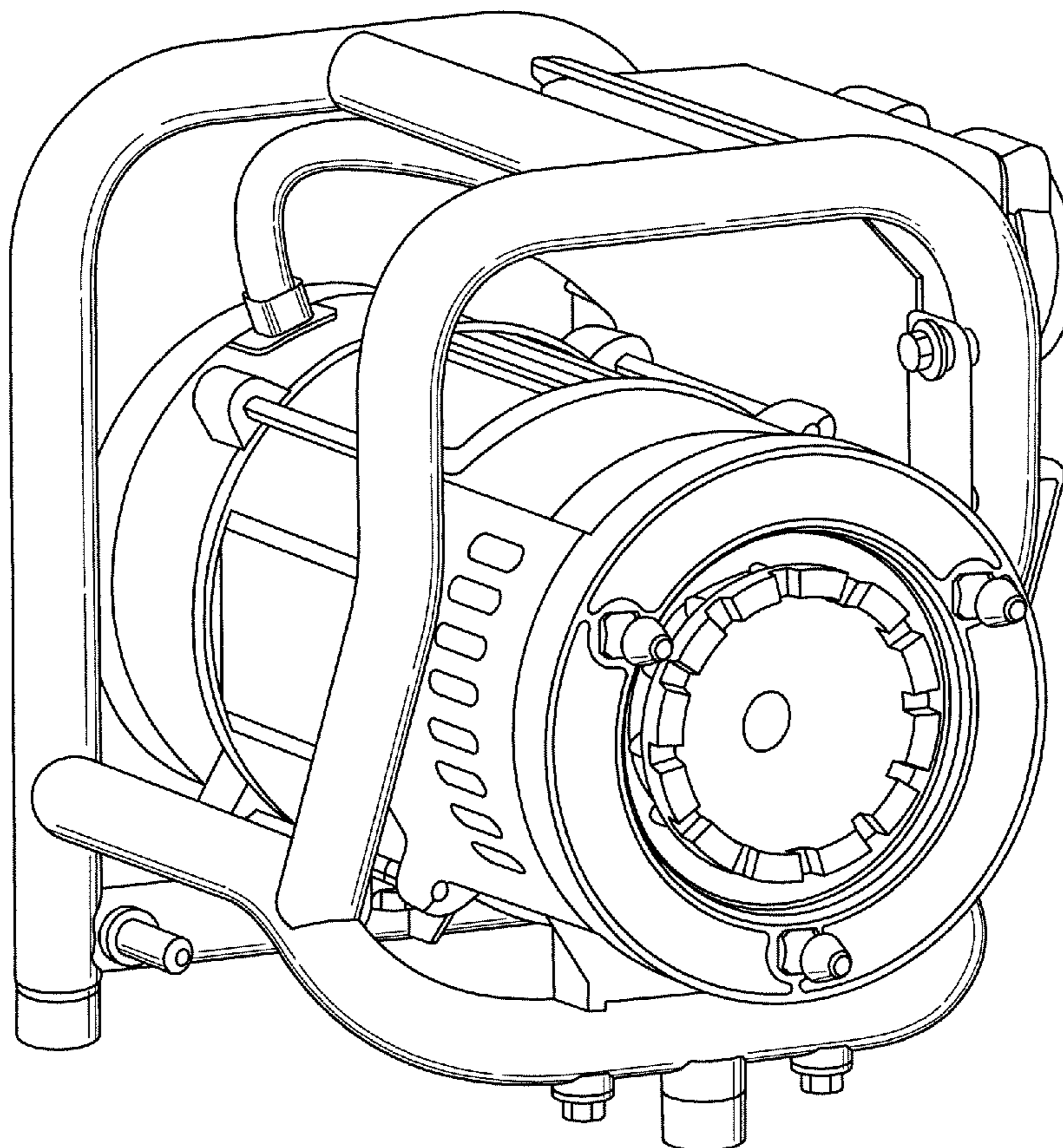
FIG. 5 is a rear elevation view thereof;

FIG. 6 is a left side elevation view thereof; and,

FIG. 7 is a right side elevation view thereof.

The broken lines shown represent unclaimed subject matter and form no part of the claimed design.

1 Claim, 7 Drawing Sheets



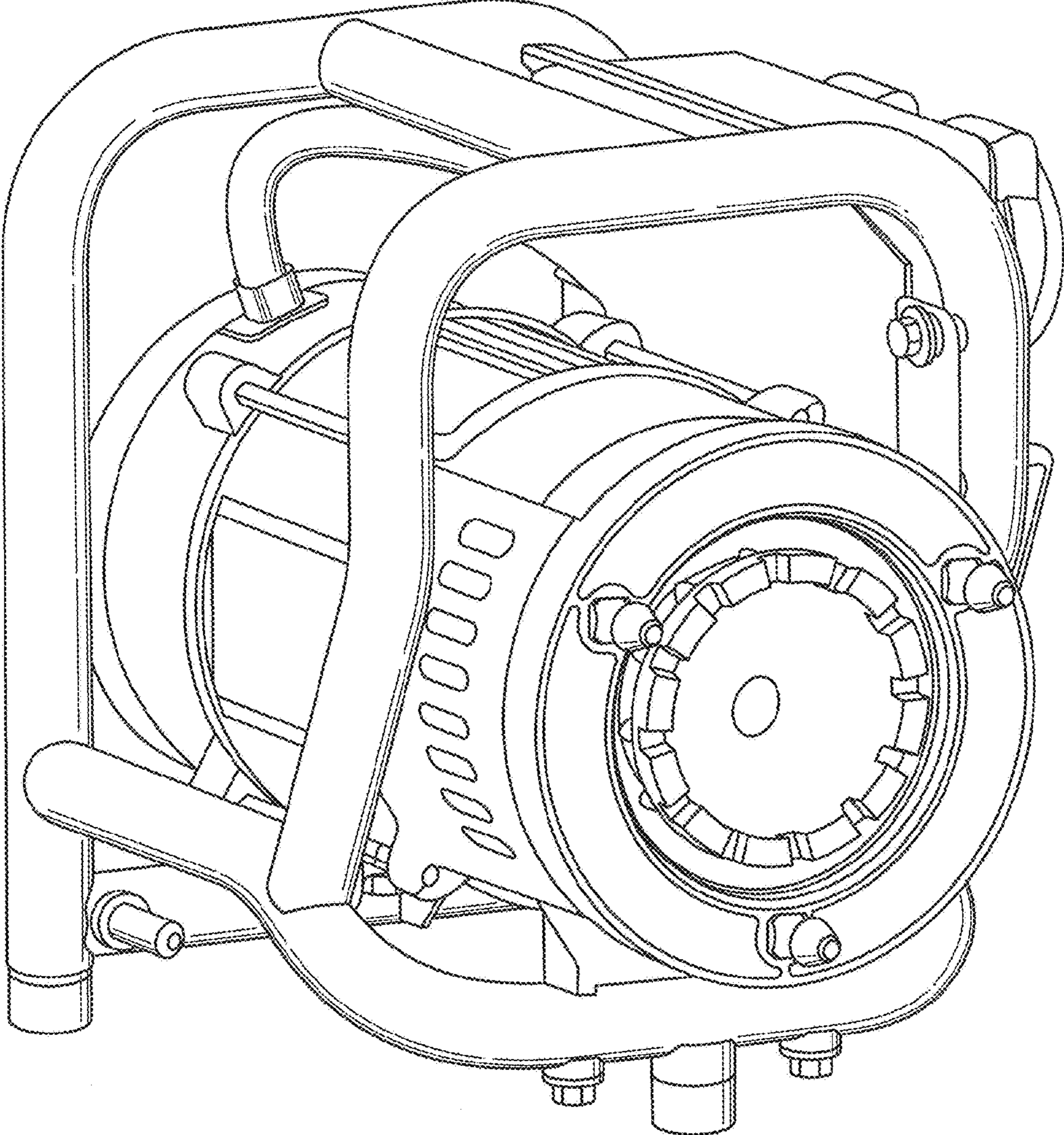


Fig. 1

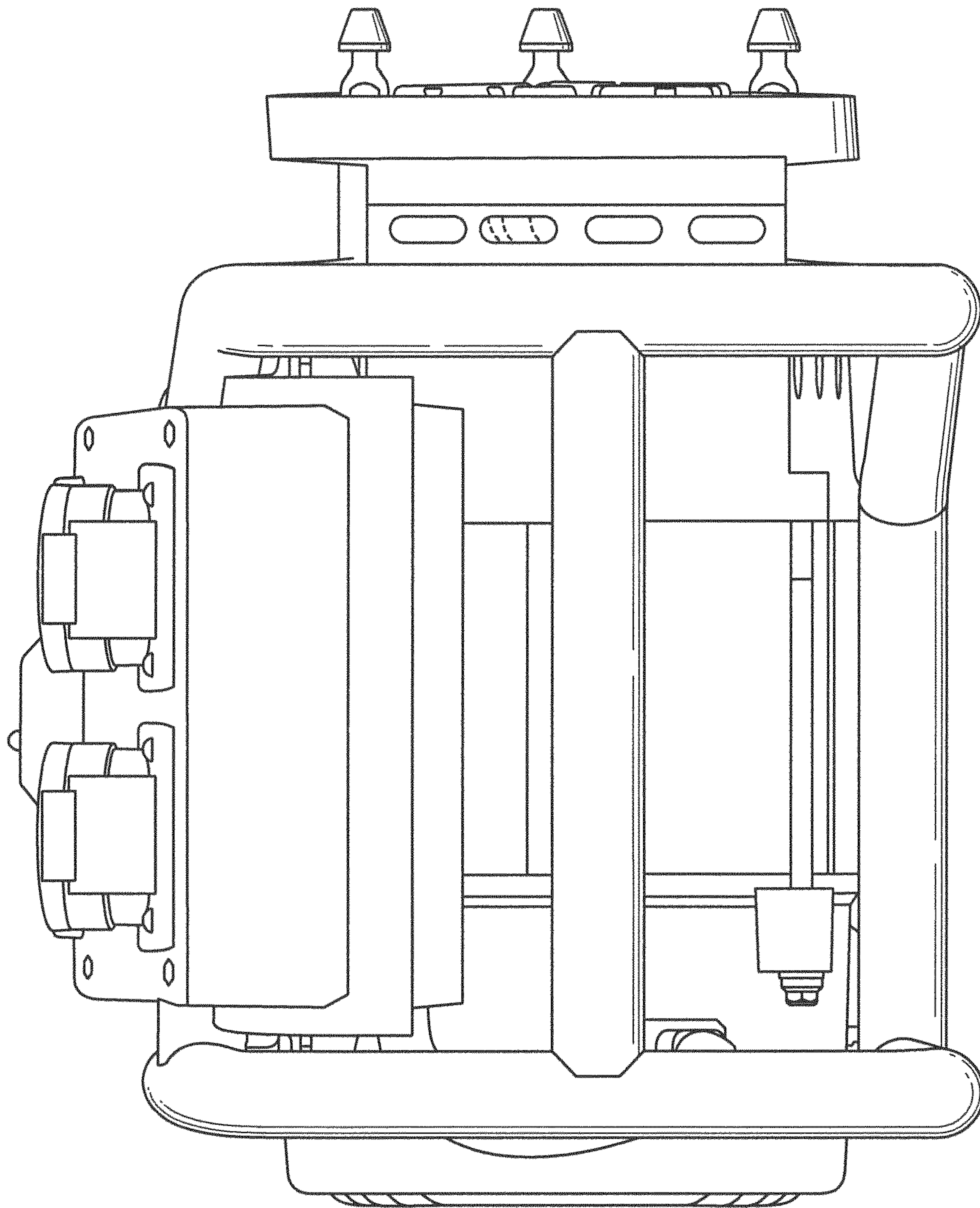


Fig. 2

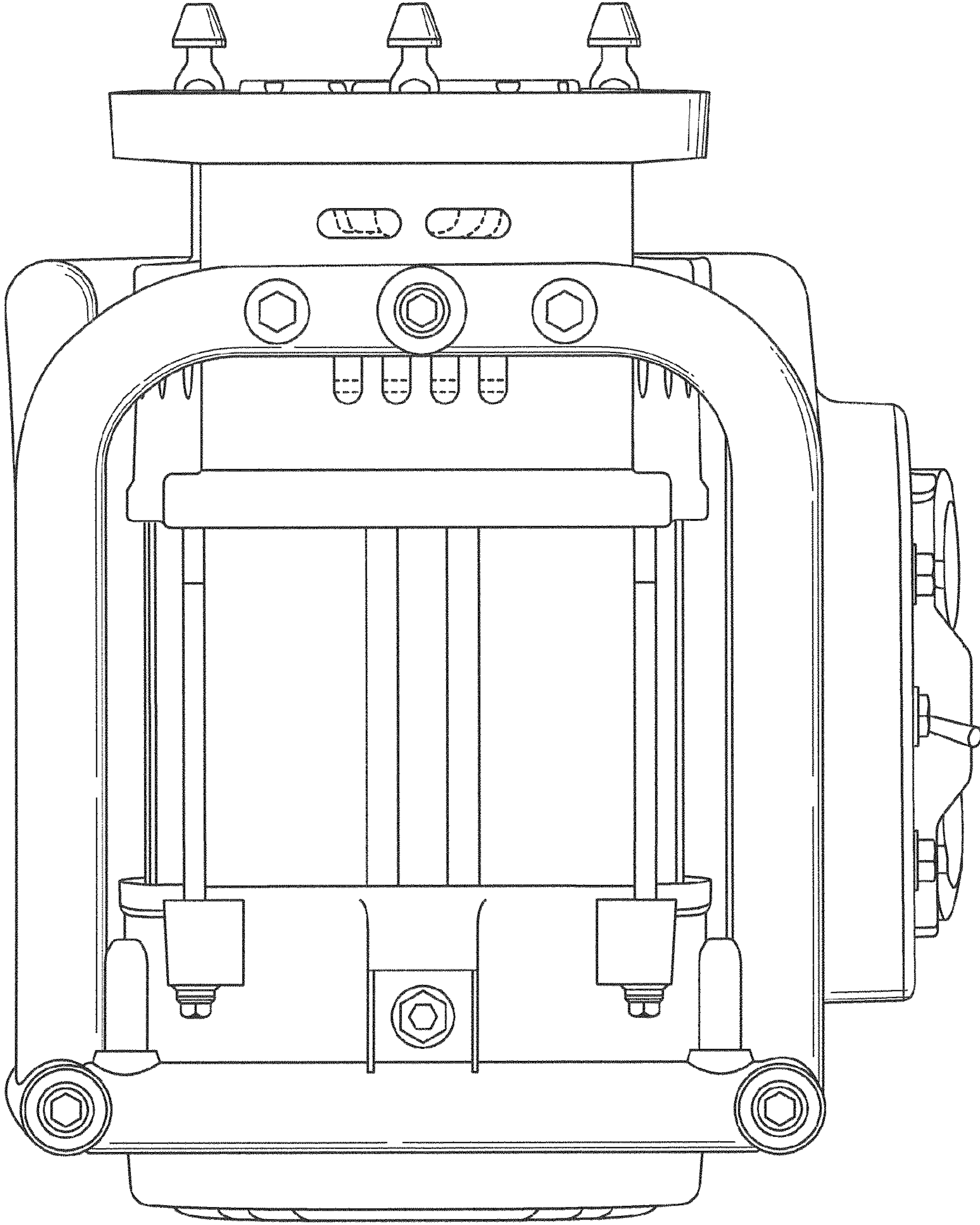


Fig. 3

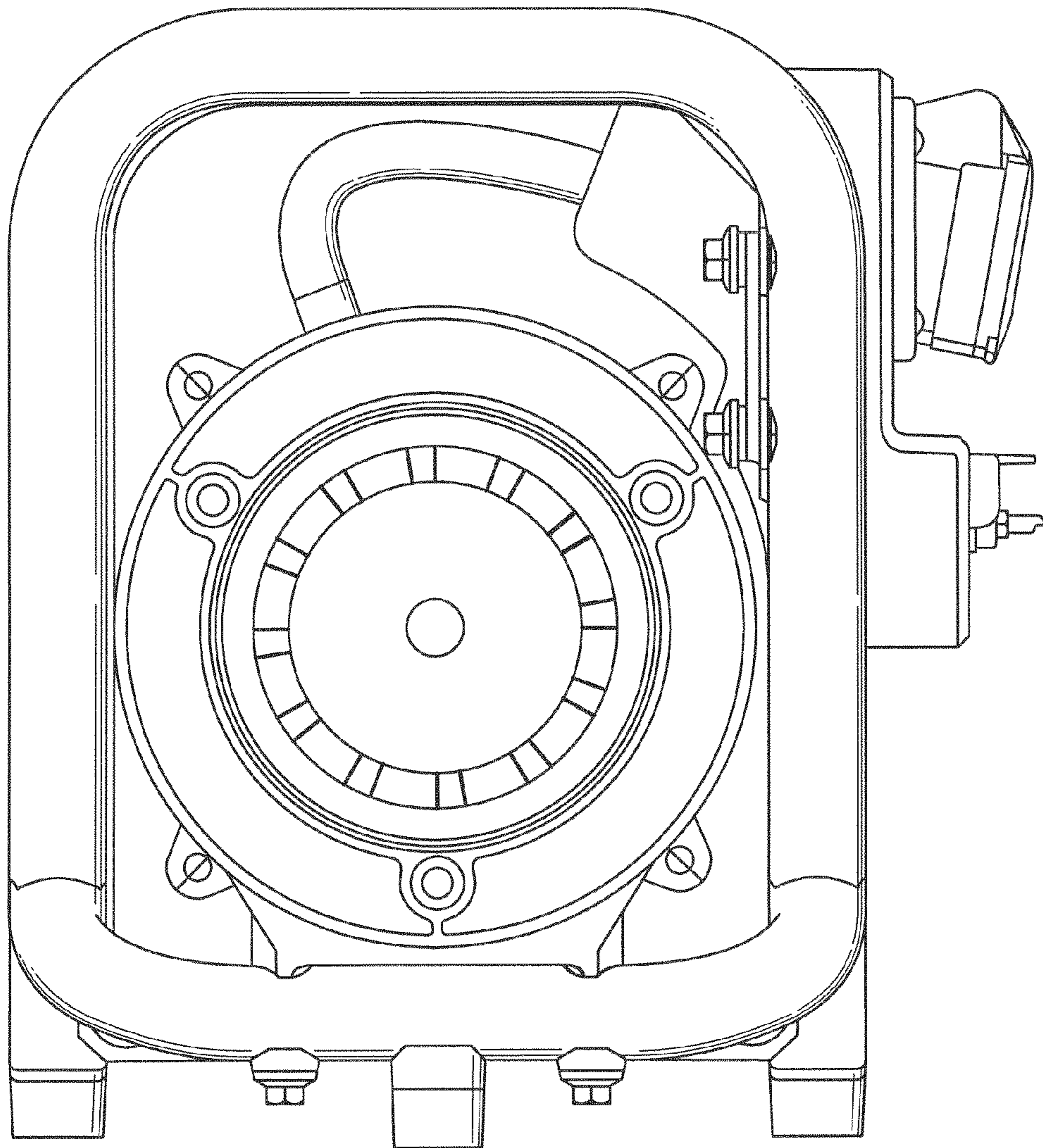


Fig. 4

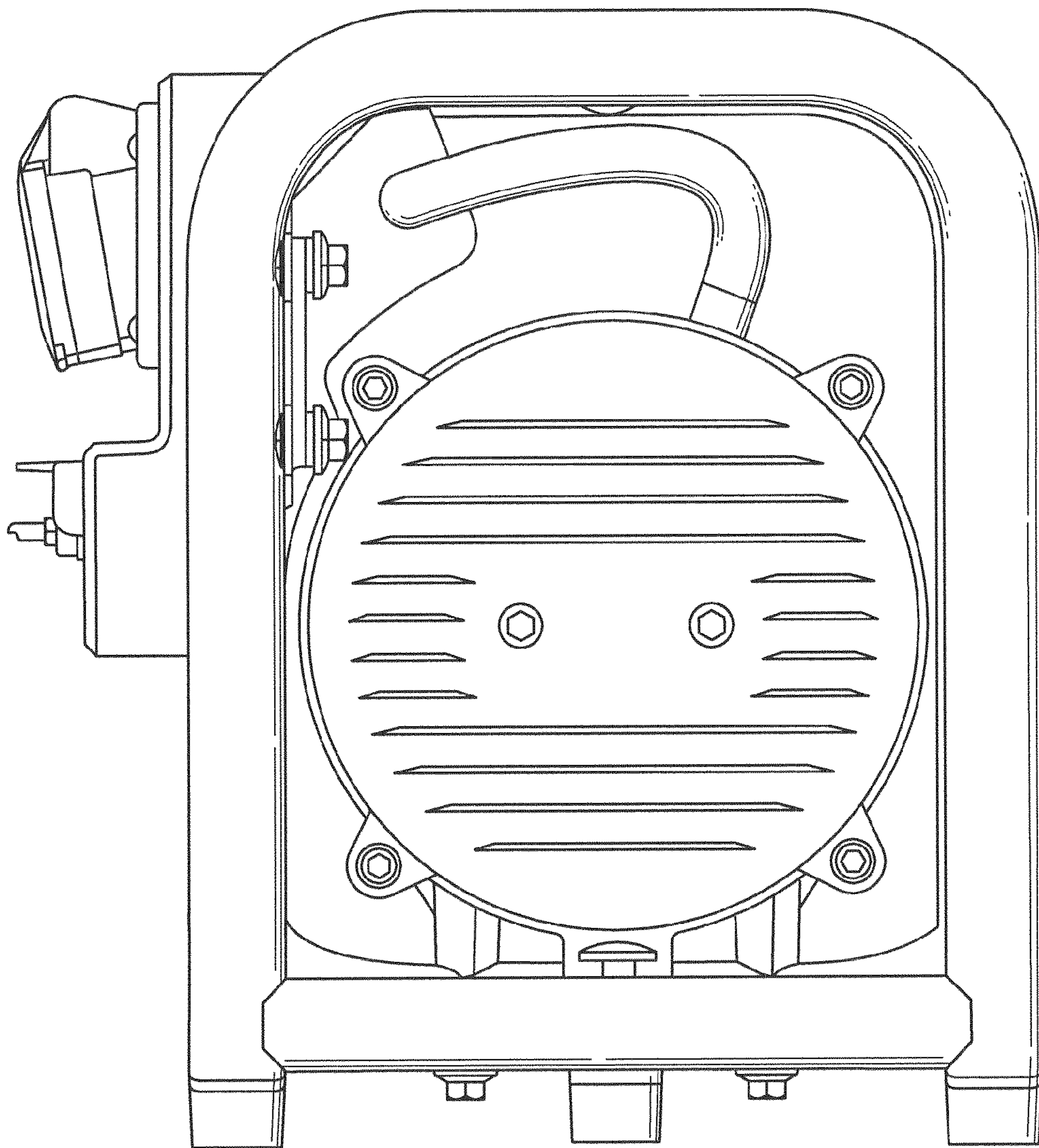


Fig. 5

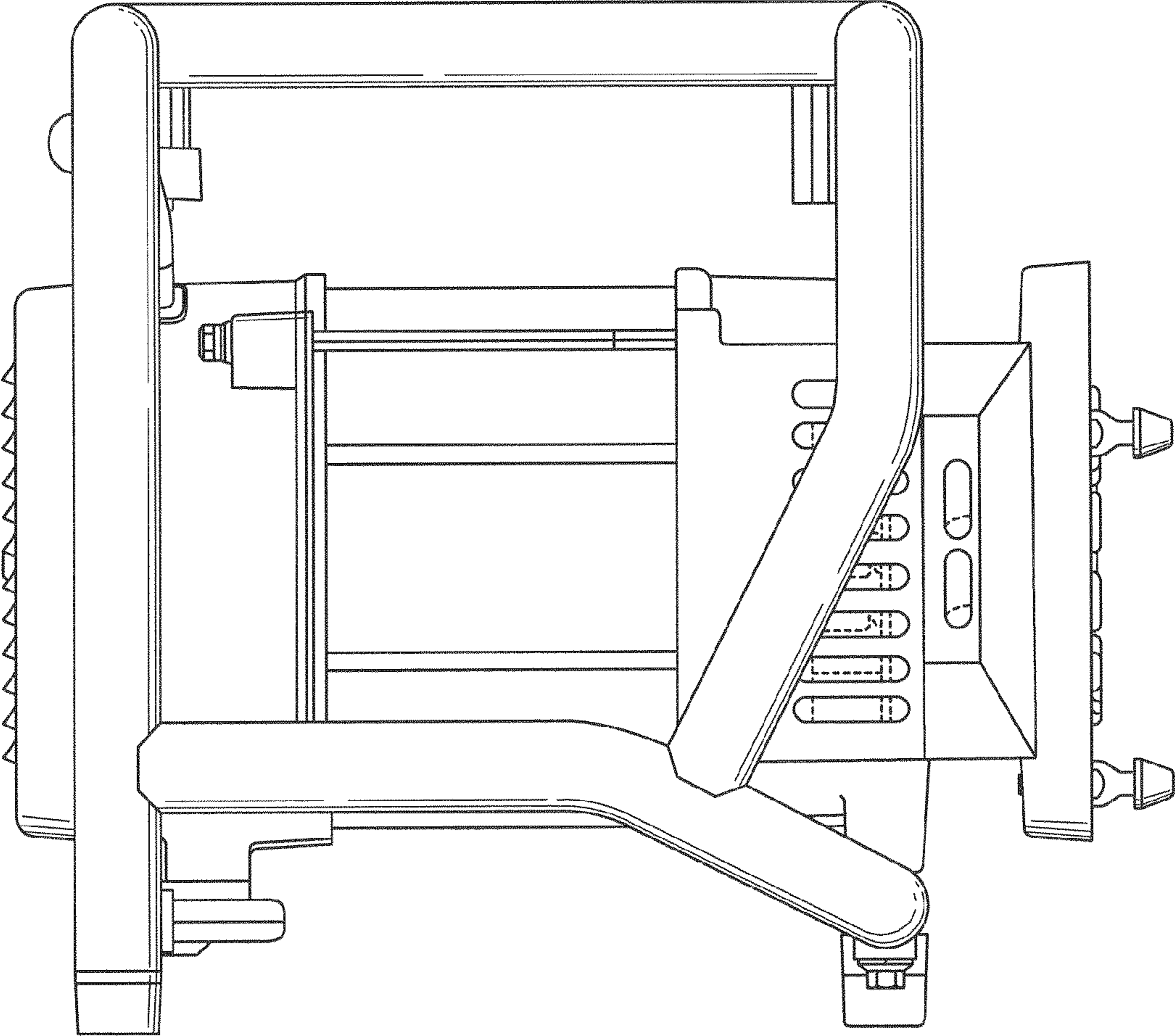


Fig. 6

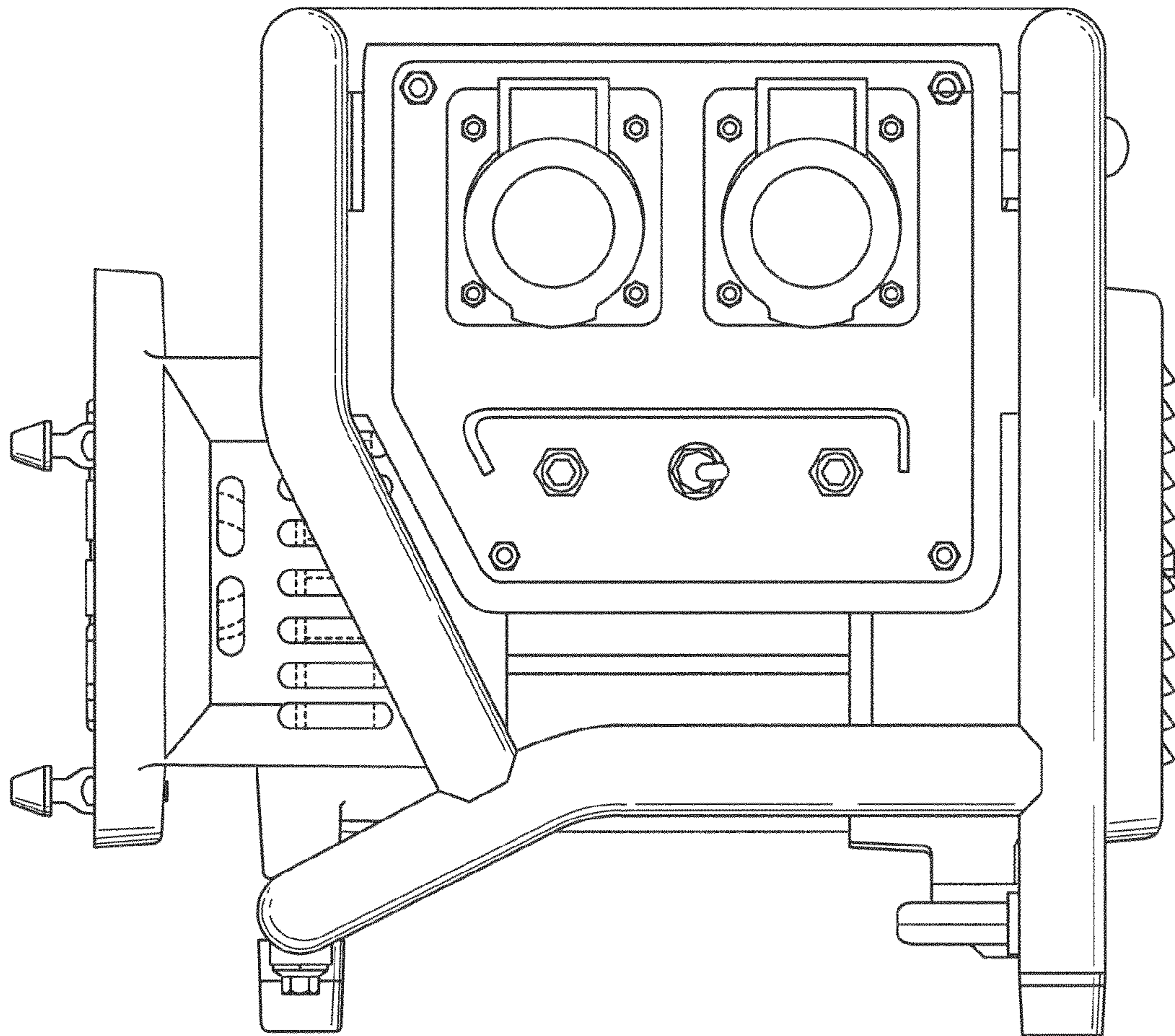


Fig. 7