



US00D681552S

(12) **United States Design Patent**  
**Bentley**

(10) **Patent No.:** **US D681,552 S**

(45) **Date of Patent:** **\*\* May 7, 2013**

(54) **MICRO-HYDRO ELECTRIC GENERATOR**

D511,323 S \* 11/2005 Kato et al. .... D13/115  
D511,495 S \* 11/2005 Okubo et al. .... D13/115  
D590,340 S \* 4/2009 Sayama et al. .... D13/115

(76) Inventor: **Roy Earledean Bentley, Surrey (CA)**

\* cited by examiner

(\*\*) Term: **14 Years**

*Primary Examiner* — Derrick Holland

(21) Appl. No.: **29/410,047**

(74) *Attorney, Agent, or Firm* — Nexus Law Group LLP

(22) Filed: **Jan. 3, 2012**

(57) **CLAIM**

(51) **LOC (9) Cl.** ..... **13-01**

The ornamental design for a micro-hydro electric generator, as shown and described.

(52) **U.S. Cl.**

**DESCRIPTION**

USPC ..... **D13/112**

(58) **Field of Classification Search** ..... D13/112,  
D13/101, 113, 114, 115, 122, 184, 199; D12/214,  
D12/344, 345; D15/5, 199; D23/380, 386,  
D23/411; 73/861.18, 861.22; 123/306, 590;  
239/461, 462; 244/199.1, 200.1, 206–208  
See application file for complete search history.

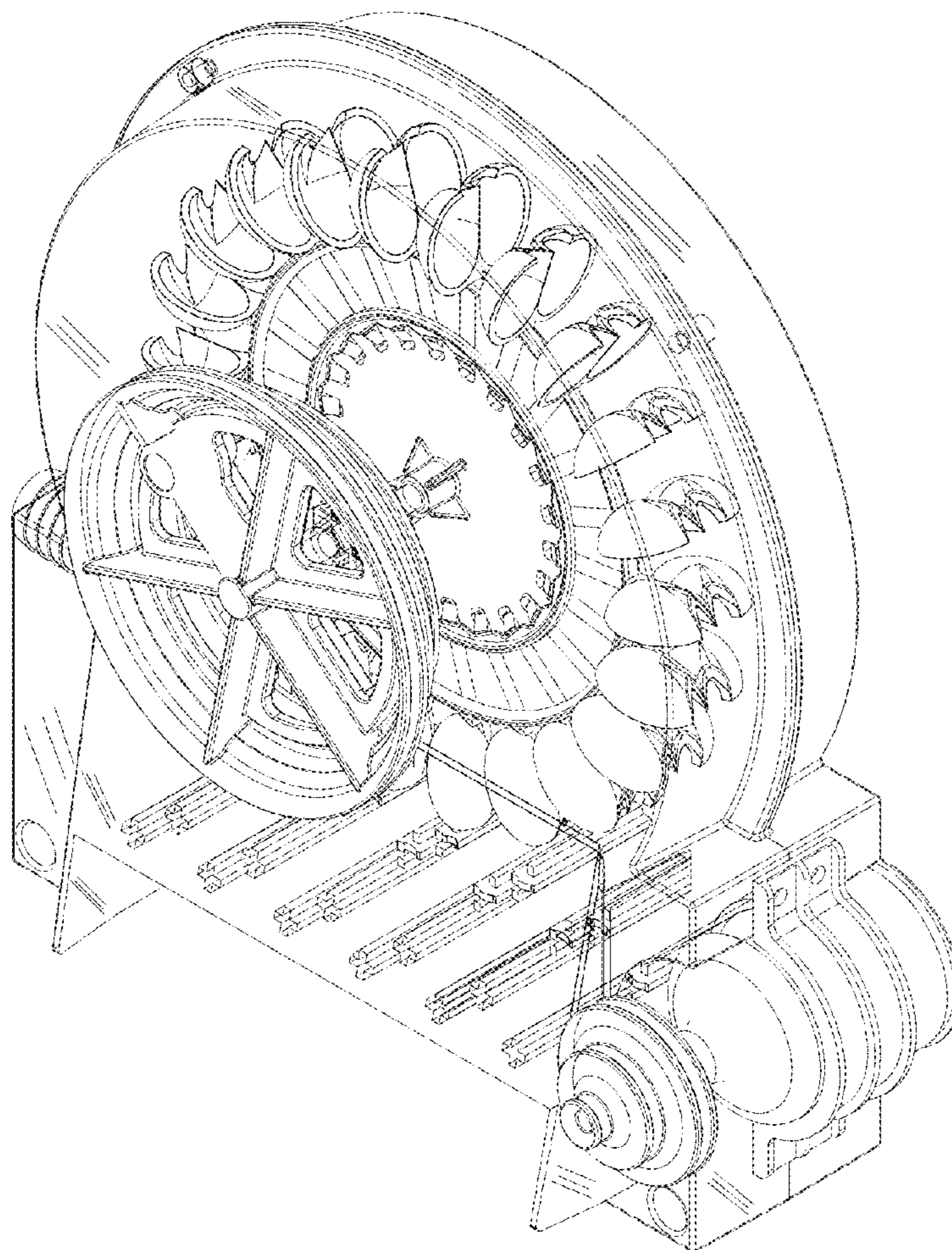
FIG. 1 is a front, top right perspective view of a micro-hydro electric generator, showing my new design;  
FIG. 2 is a front, left perspective view thereof;  
FIG. 3 is a front elevation view thereof;  
FIG. 4 is a top plan view thereof;  
FIG. 5 is a bottom plan view thereof;  
FIG. 6 is a left side elevation view thereof;  
FIG. 7 is a right side elevation view thereof; and,  
FIG. 8 is a rear elevation view thereof.

(56) **References Cited**

**U.S. PATENT DOCUMENTS**

D338,870 S \* 8/1993 Hedges ..... D13/112  
D457,899 S \* 5/2002 Nam et al. .... D15/138

**1 Claim, 8 Drawing Sheets**



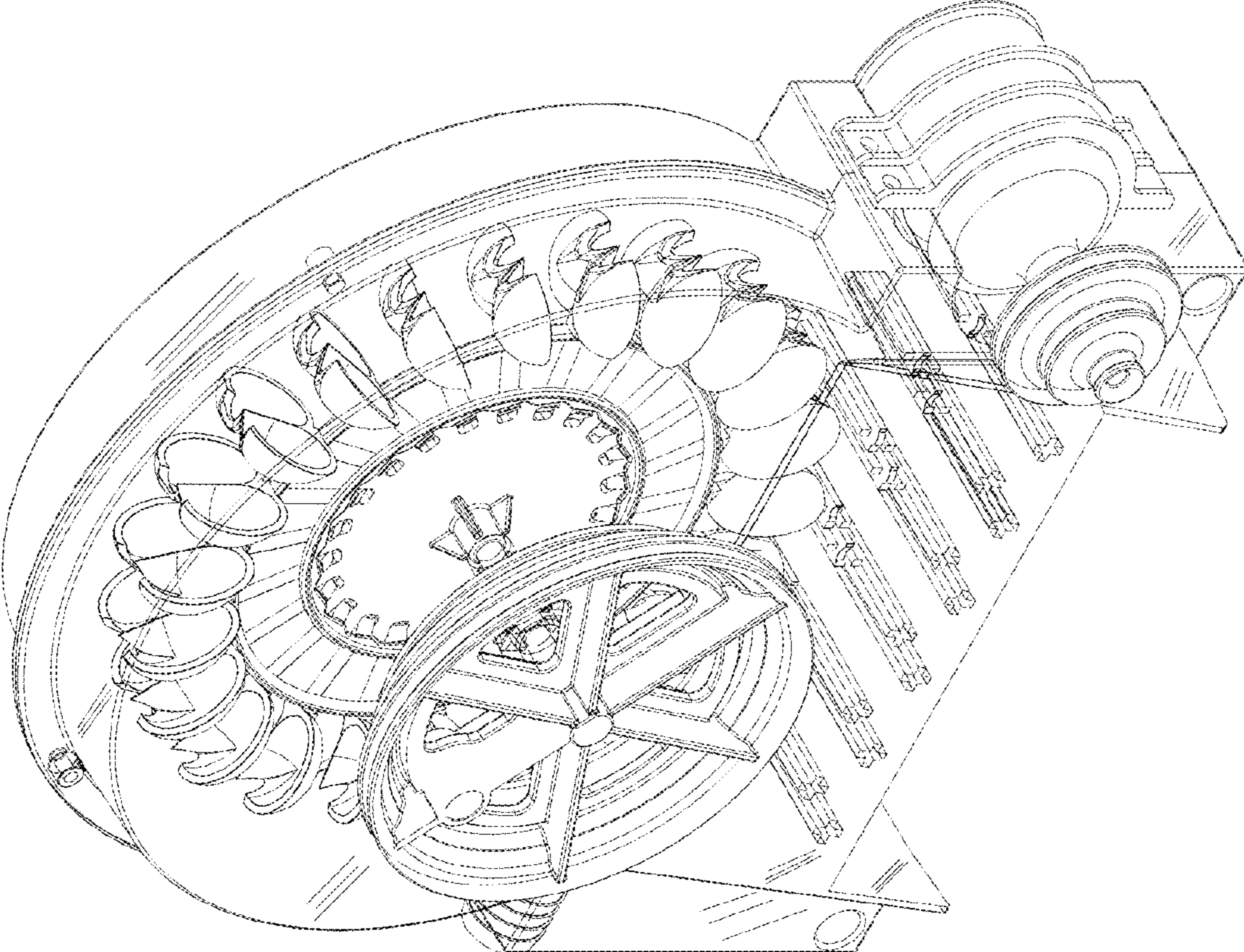


Fig. 1

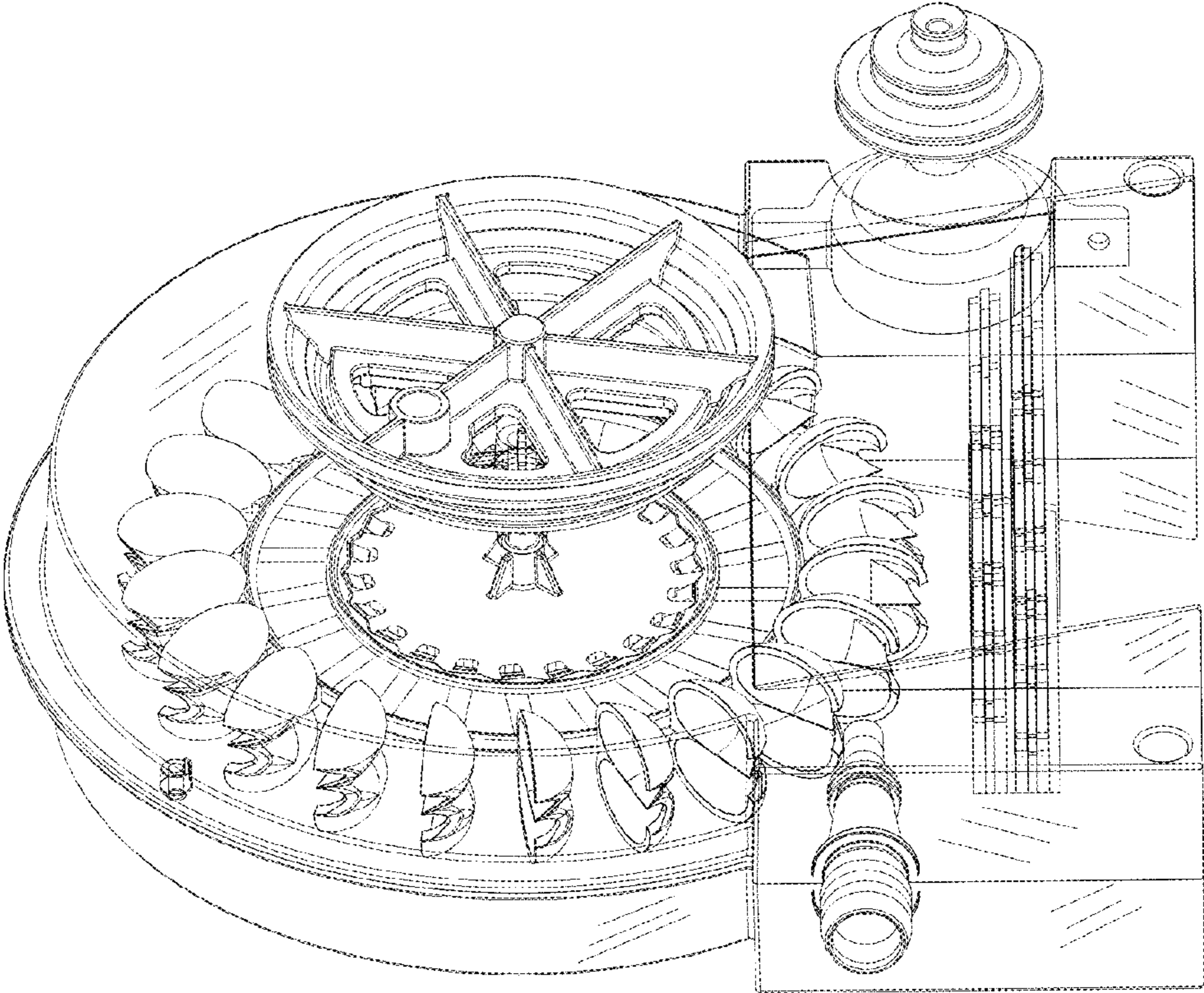


Fig. 2

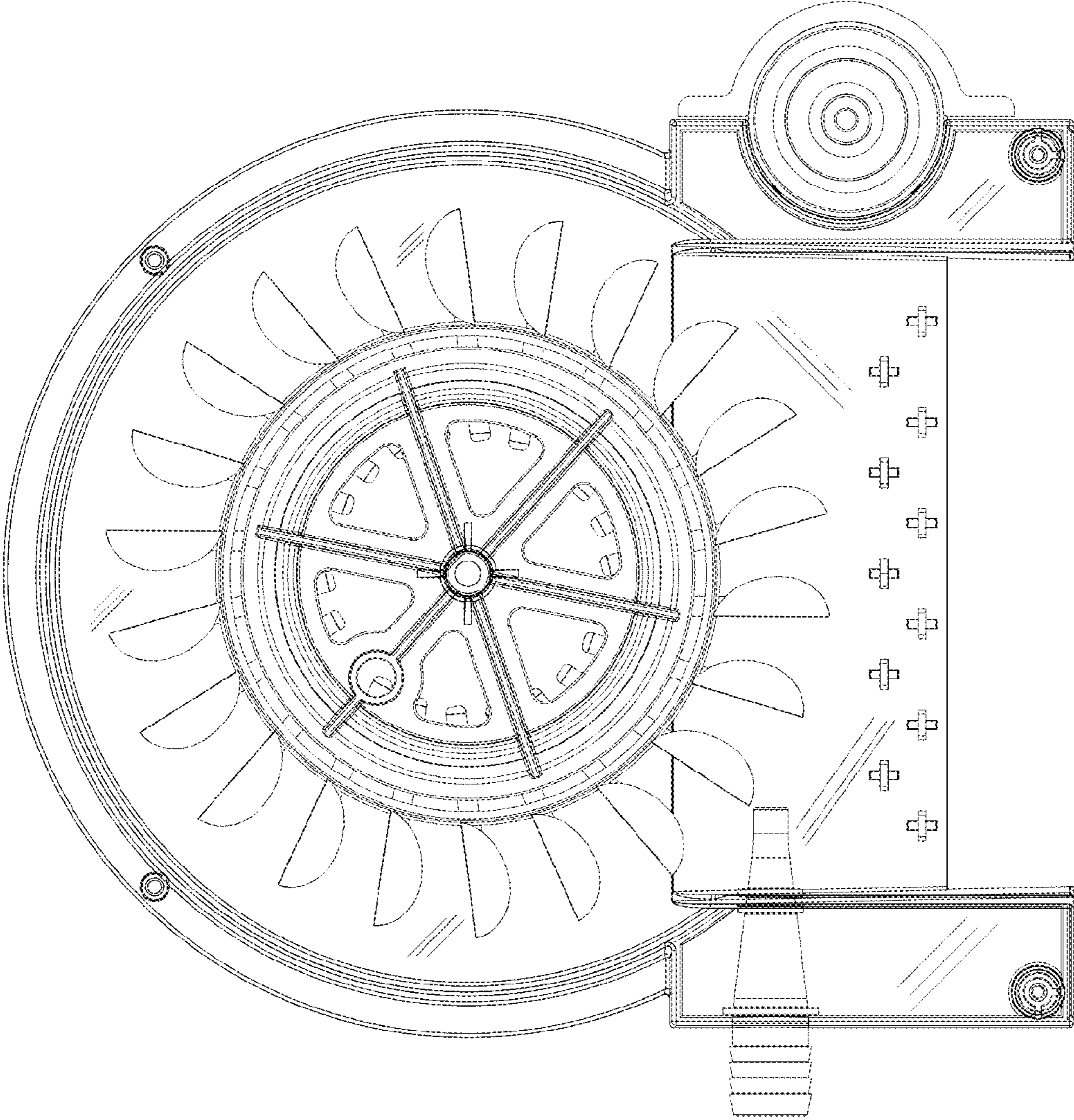


Fig. 3

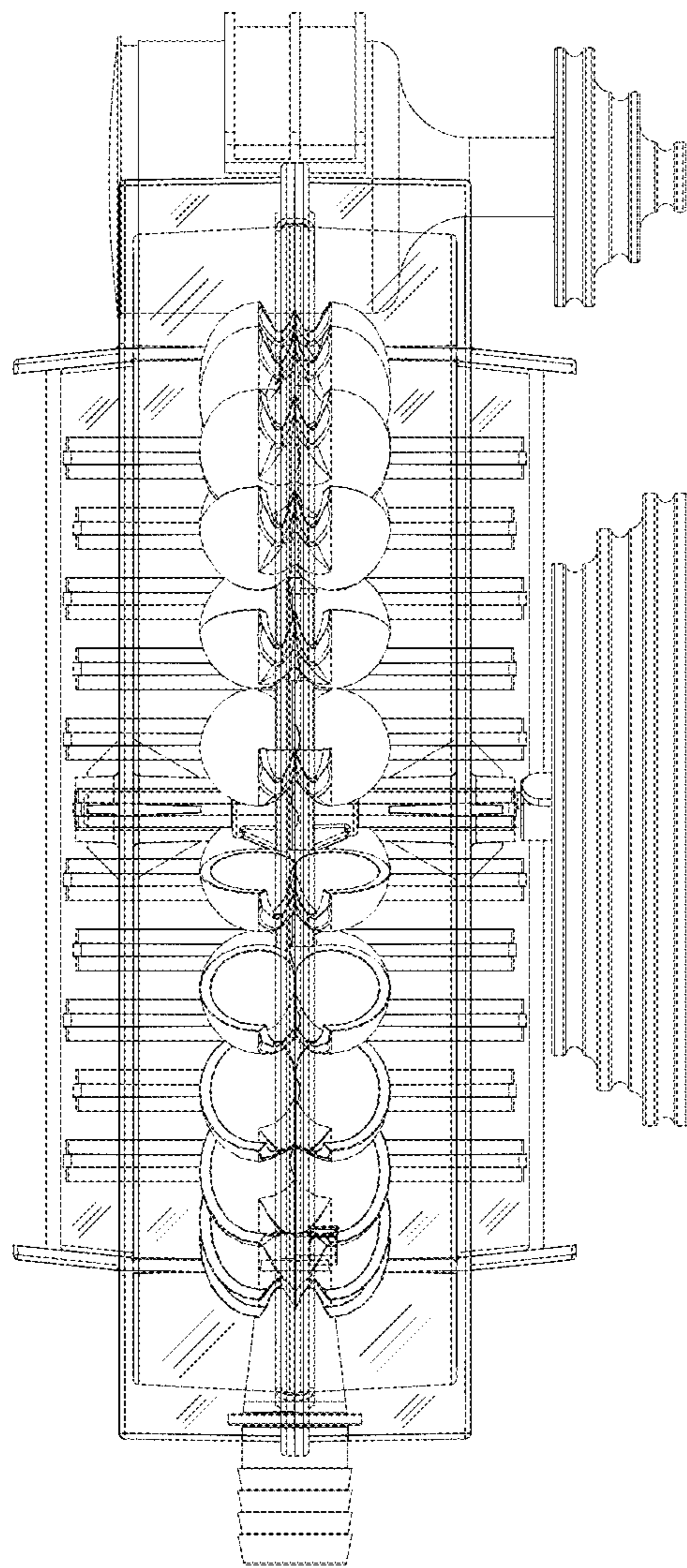


Fig. 4

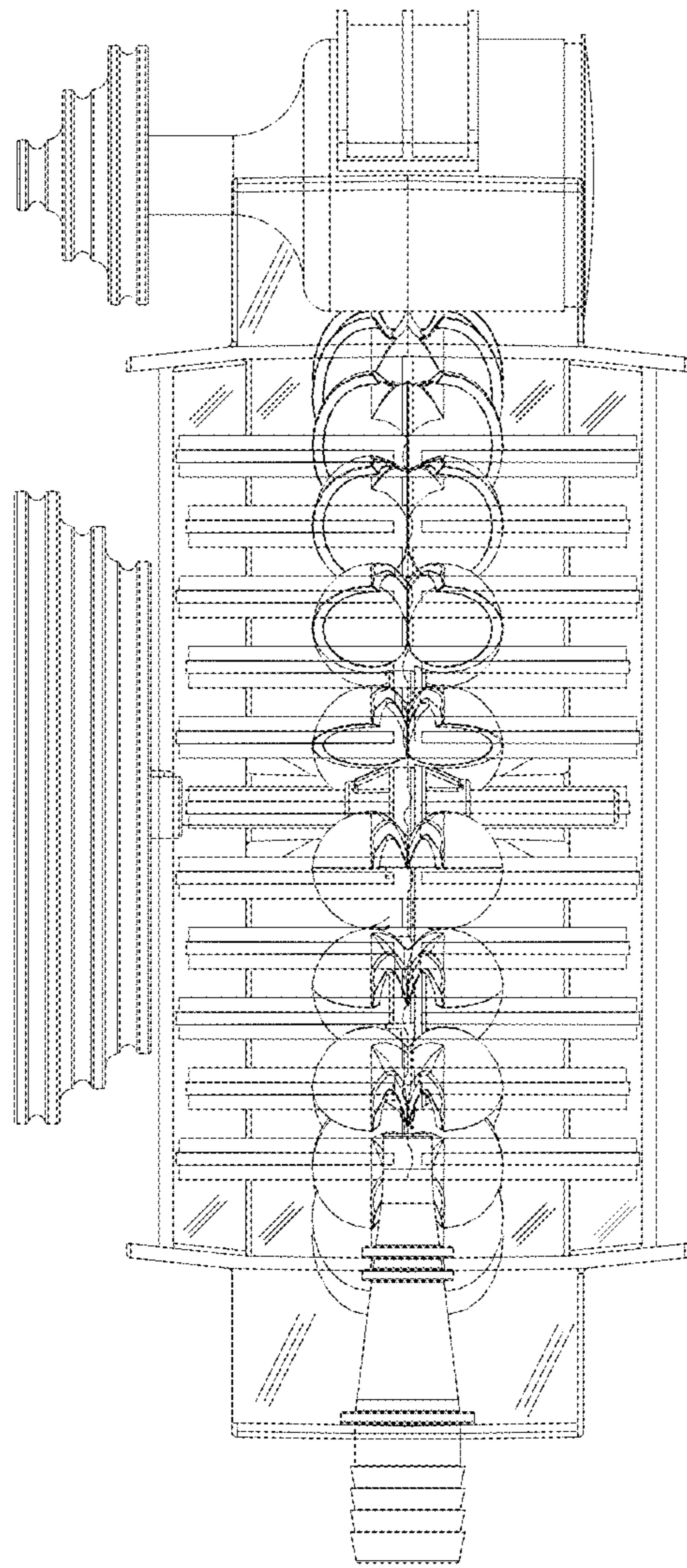


Fig. 5

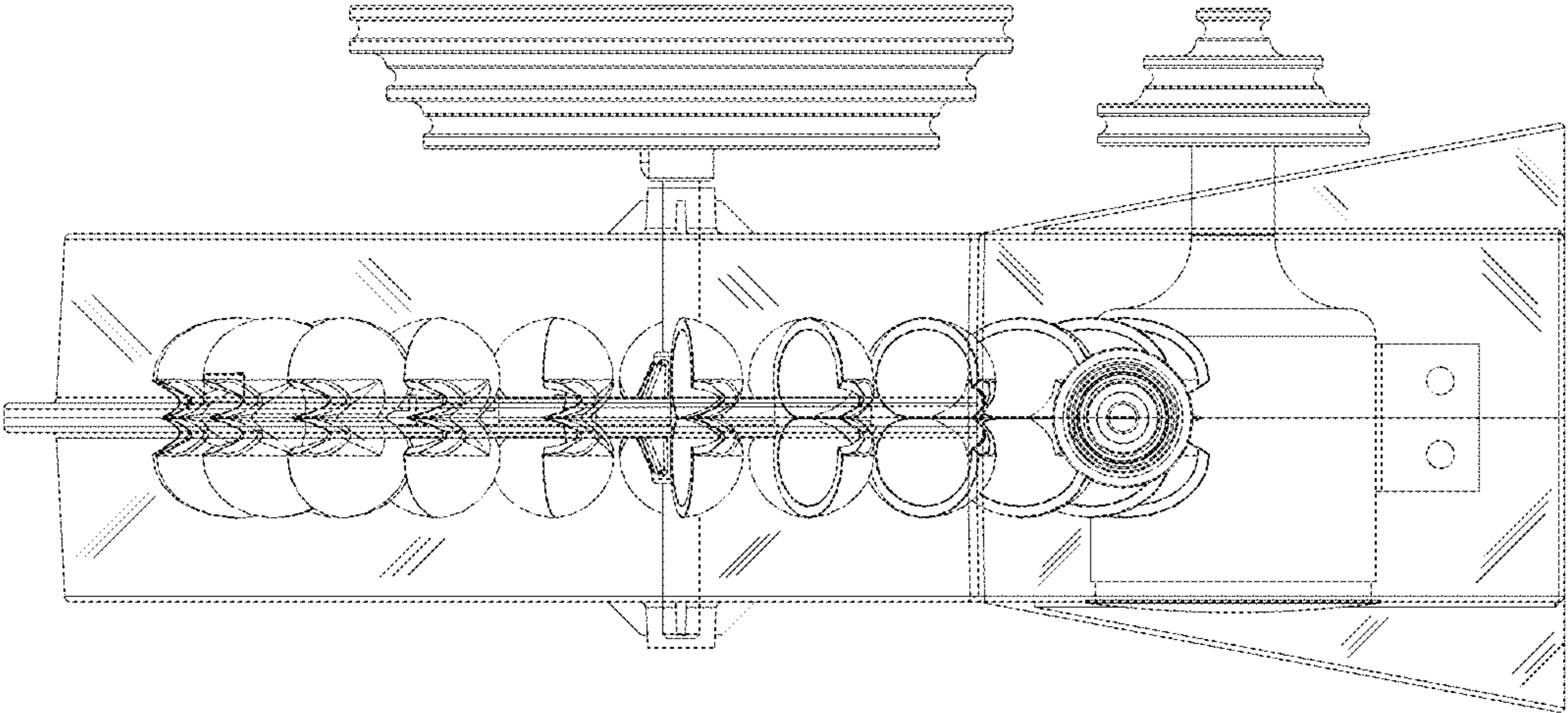


Fig. 6

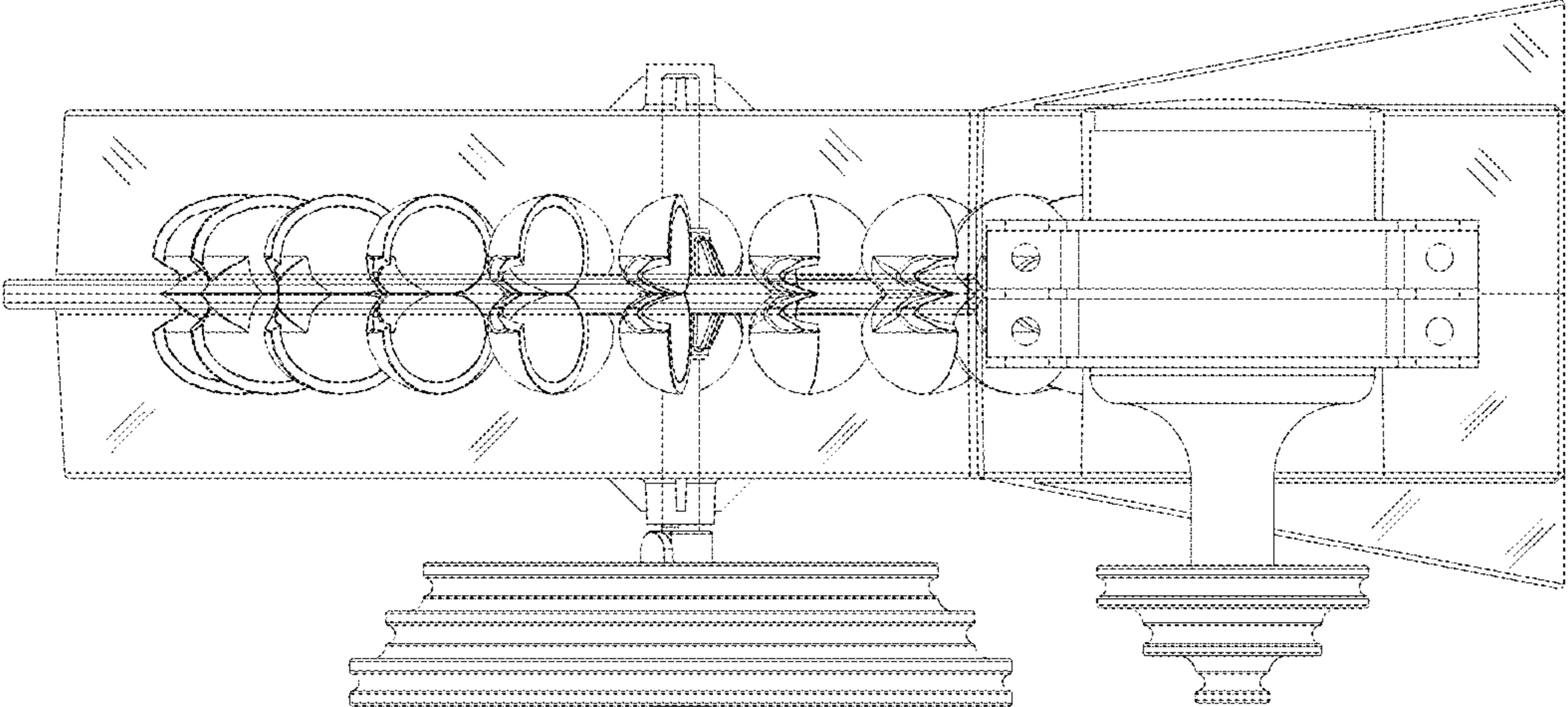


Fig. 7



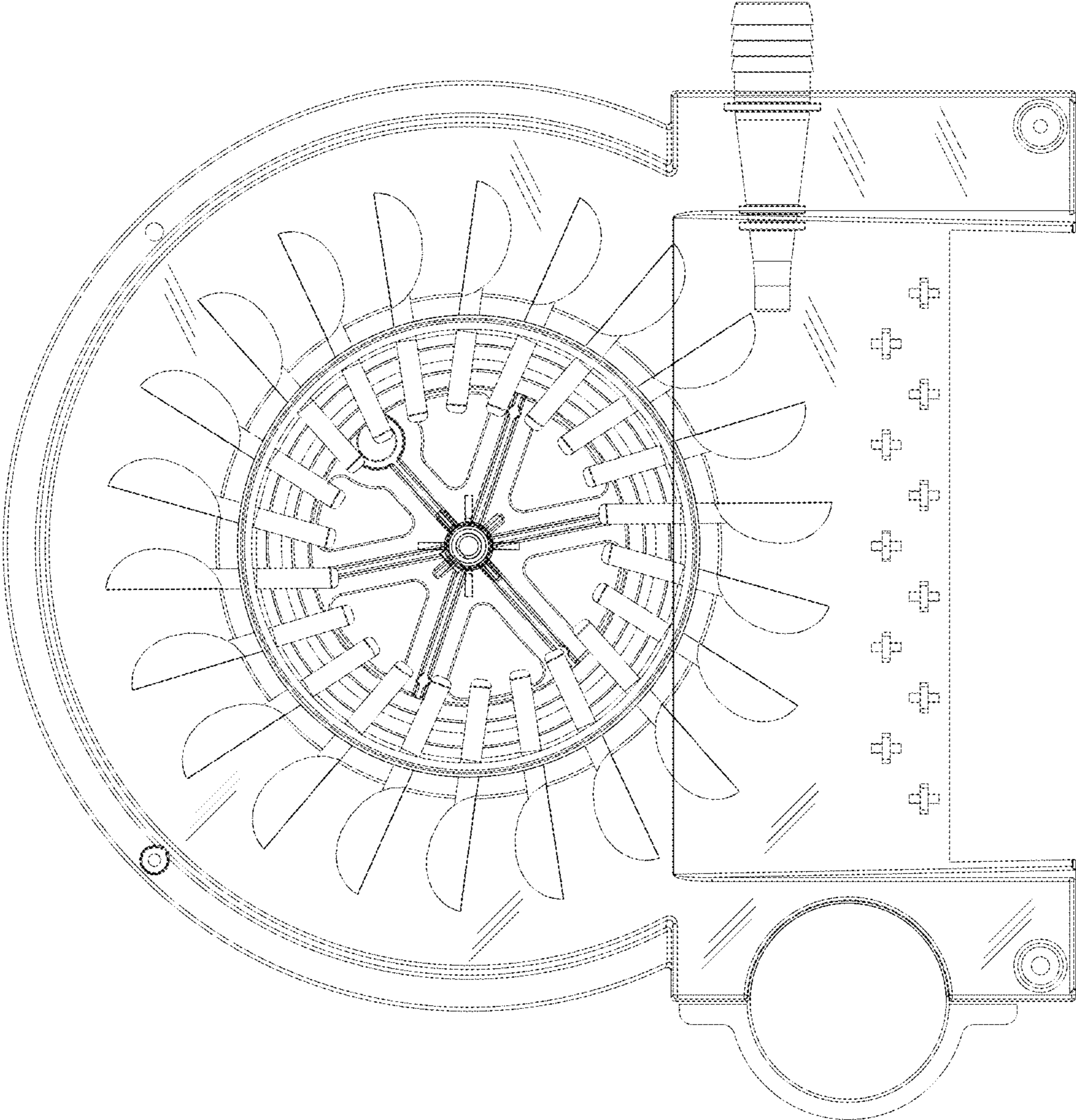


Fig. 8