

US00D681550S

(12) **United States Design Patent**  
**Corbin**

(10) **Patent No.:** **US D681,550 S**

(45) **Date of Patent:** **\*\* May 7, 2013**

(54) **BATTERY**

(75) Inventor: **Matthew Corbin**, Anderson, SC (US)

(73) Assignee: **Techtronic Outdoor Products Technology Limited**, Hamilton (BM)

(\*\*) Term: **14 Years**

(21) Appl. No.: **29/429,698**

(22) Filed: **Aug. 15, 2012**

(30) **Foreign Application Priority Data**

May 23, 2012 (CN) ..... 2012 3 0191589

(51) **LOC (9) Cl.** ..... **13-02**

(52) **U.S. Cl.**  
USPC ..... **D13/103**

(58) **Field of Classification Search** ..... D13/102-106,  
D13/110, 118-119, 184; 429/96-100, 163,  
429/176

See application file for complete search history.

(56) **References Cited**

**U.S. PATENT DOCUMENTS**

D481,672 S \* 11/2003 Niwa et al. .... D13/103  
D545,759 S \* 7/2007 Ino et al. .... D13/103  
D550,152 S \* 9/2007 Okuda et al. .... D13/103

D589,440 S \* 3/2009 Van Wambeke ..... D13/103  
D610,537 S \* 2/2010 Sweeney ..... D13/103  
D633,036 S \* 2/2011 Murray ..... D13/103  
D639,730 S \* 6/2011 Kawase ..... D13/103  
D640,190 S \* 6/2011 Aglassinger ..... D13/103  
D640,628 S \* 6/2011 Lopano et al. .... D13/103  
D643,809 S \* 8/2011 Okuda et al. .... D13/103  
D658,578 S \* 5/2012 Davis ..... D13/103  
D663,264 S \* 7/2012 London ..... D13/103

\* cited by examiner

*Primary Examiner* — Rosemary K Tarcza

(74) *Attorney, Agent, or Firm* — Michael Best & Friedrich LLP

(57) **CLAIM**

I claim the ornamental design for a battery, as shown and described in the figures.

**DESCRIPTION**

FIG. 1 is a perspective view of a battery embodying the invention.

FIG. 2 is a top view of the battery shown in FIG. 1.

FIG. 3 is a right side view of the battery shown in FIG. 1.

FIG. 4 is a left side view of the battery shown in FIG. 1.

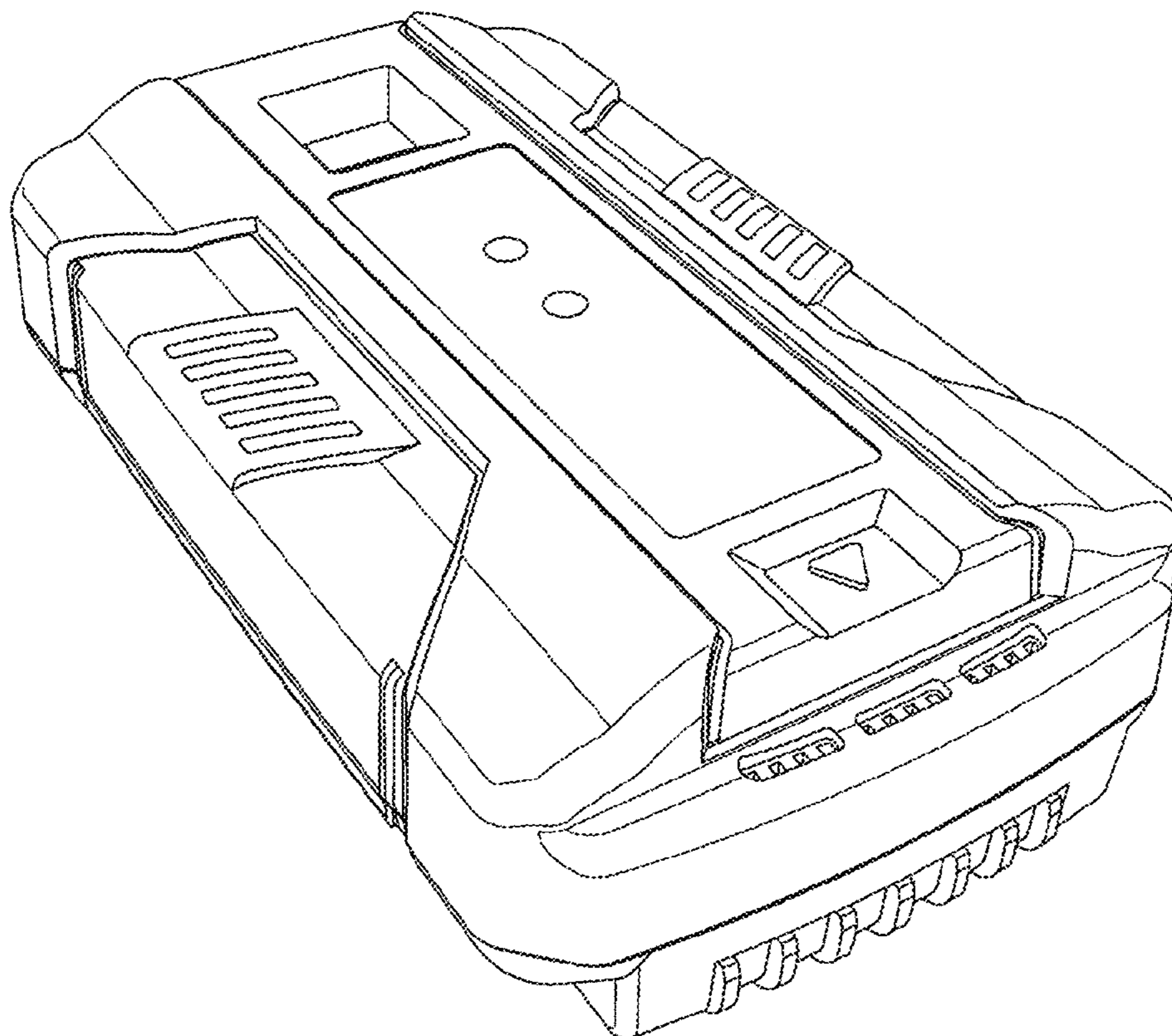
FIG. 5 is a bottom view of the battery shown in FIG. 1.

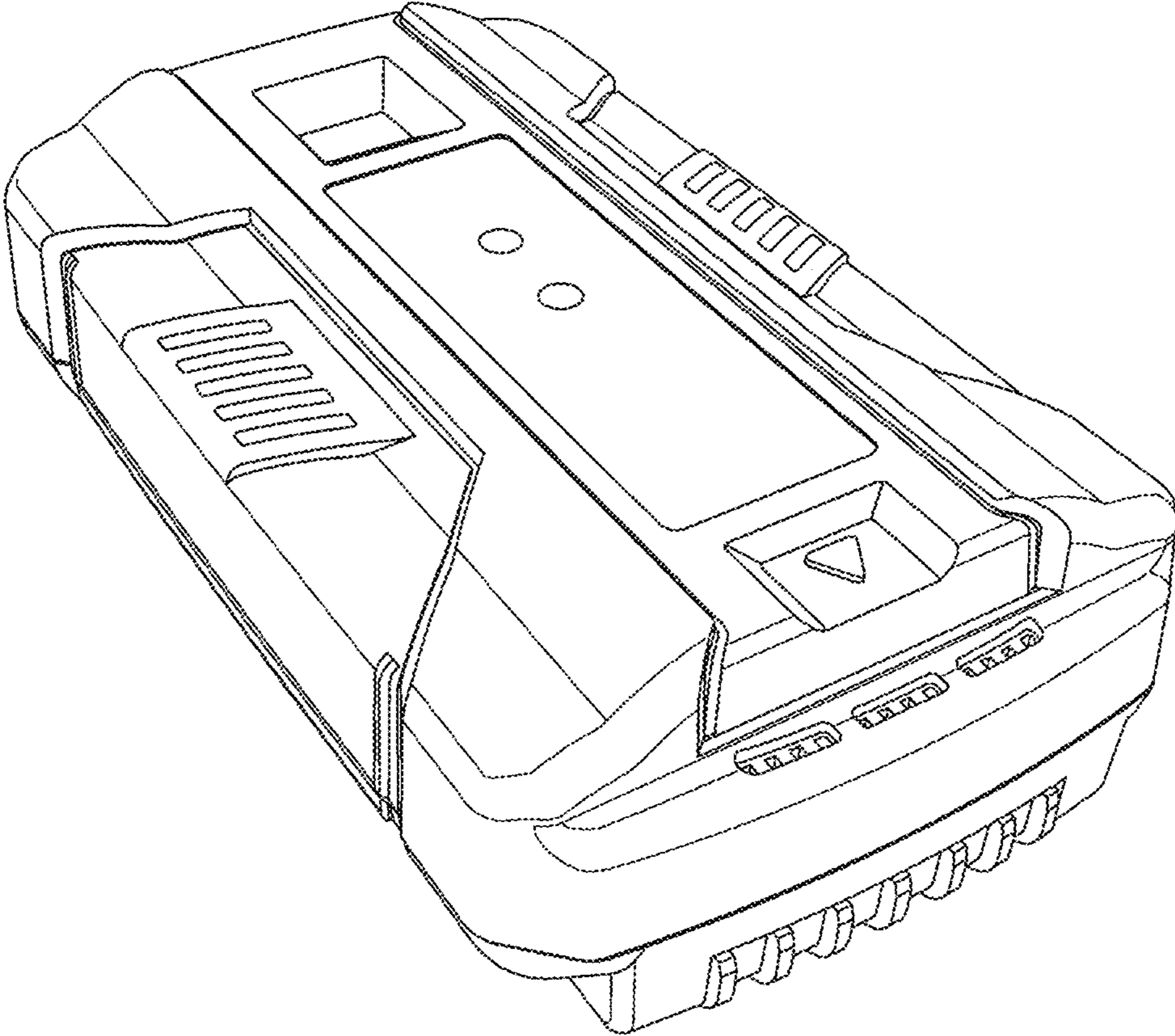
FIG. 6 is a front view of the battery shown in FIG. 1; and,

FIG. 7 is a rear view of the battery shown in FIG. 1.

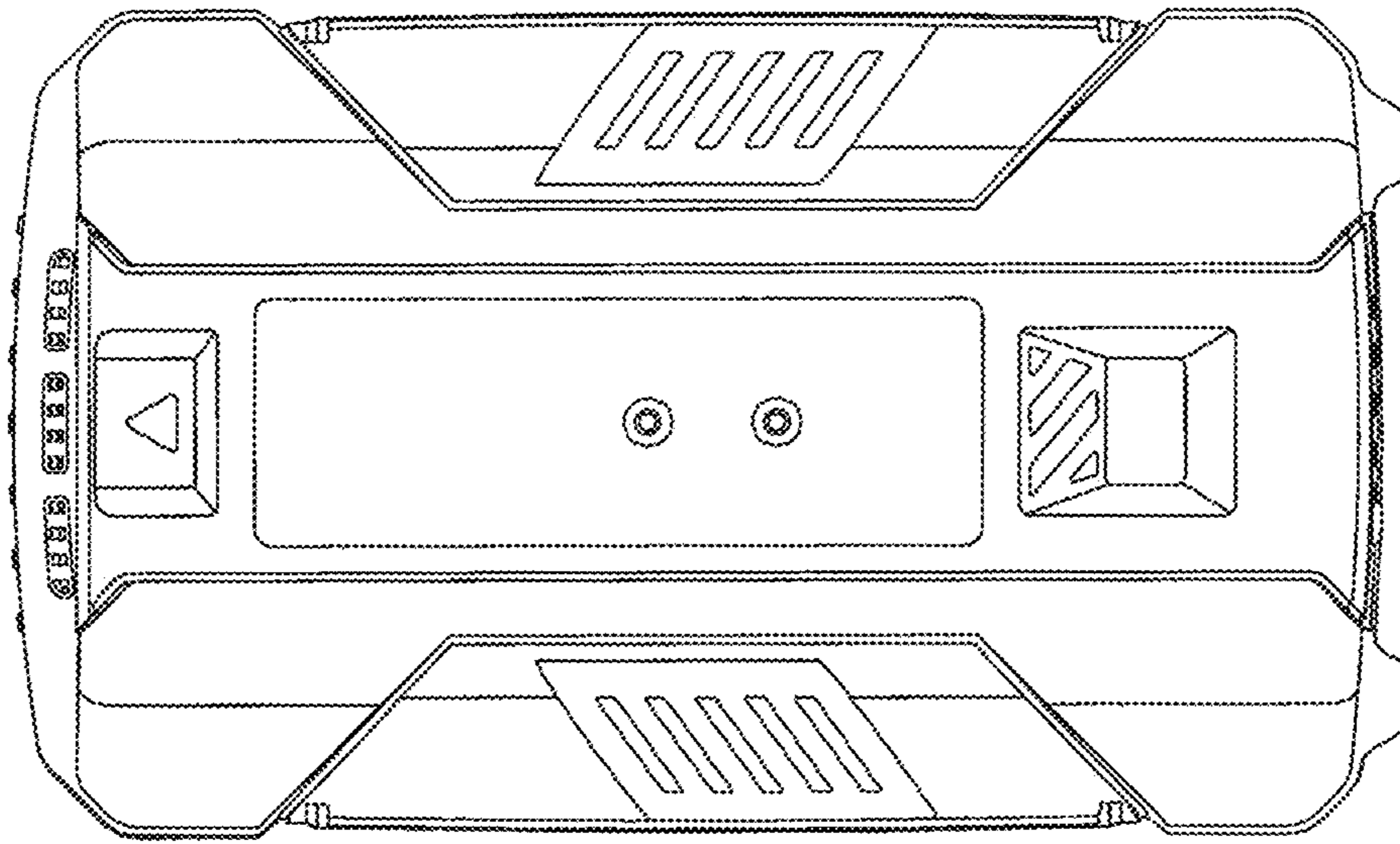
The present application is directed to the shape and contour of a battery design illustrated in the figures.

**1 Claim, 4 Drawing Sheets**

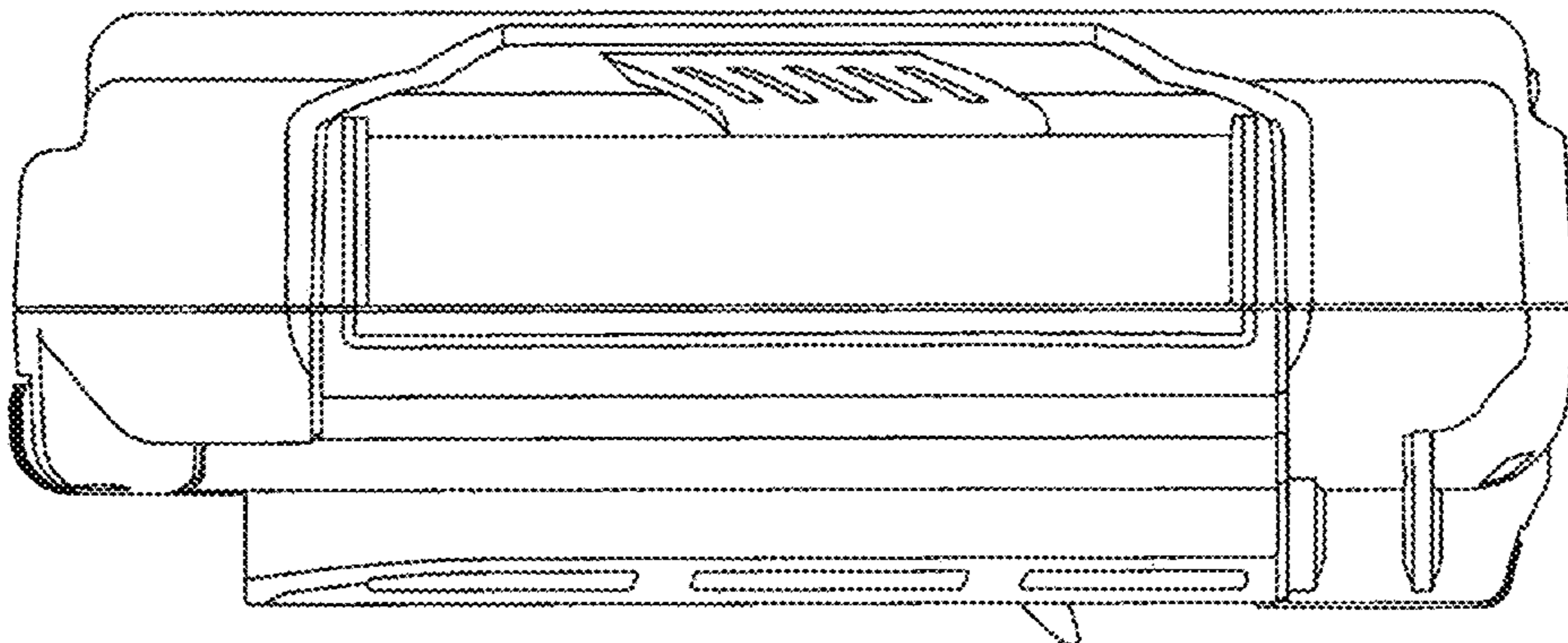




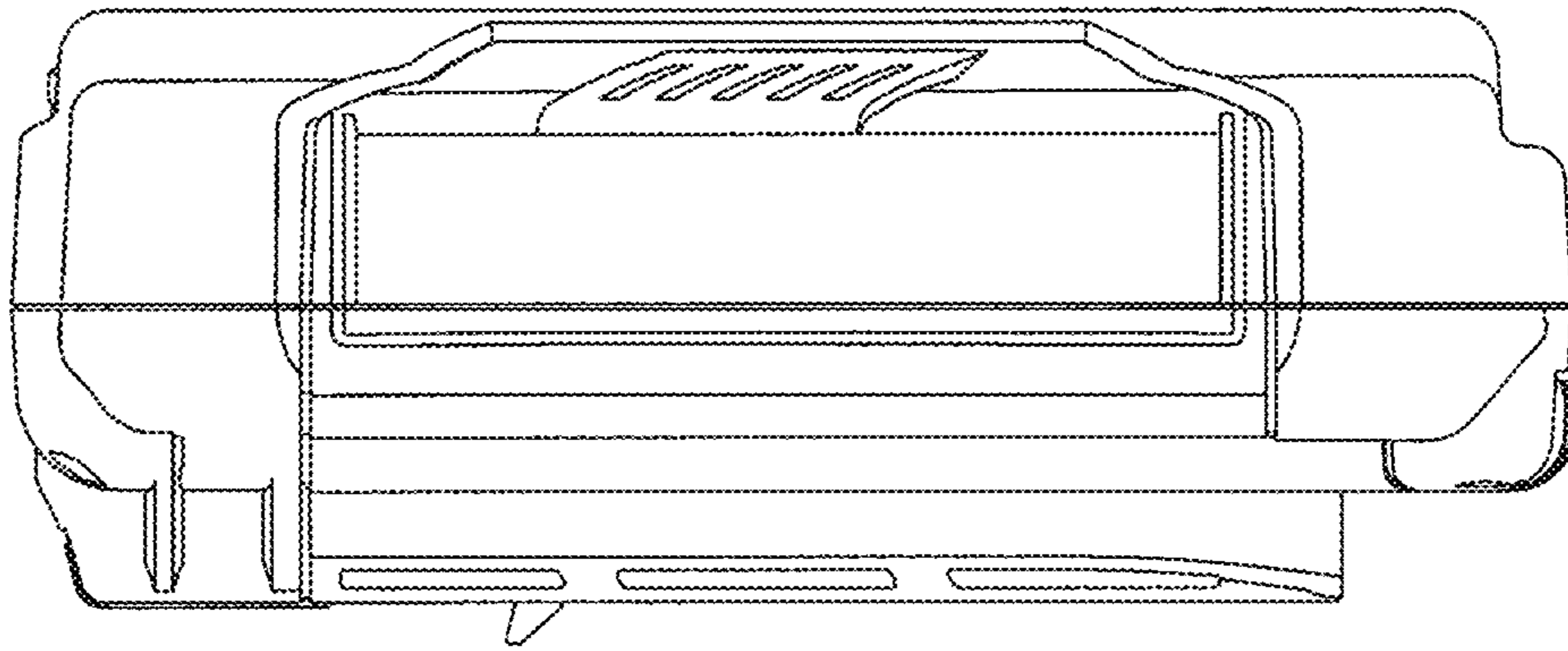
**Fig. 1**



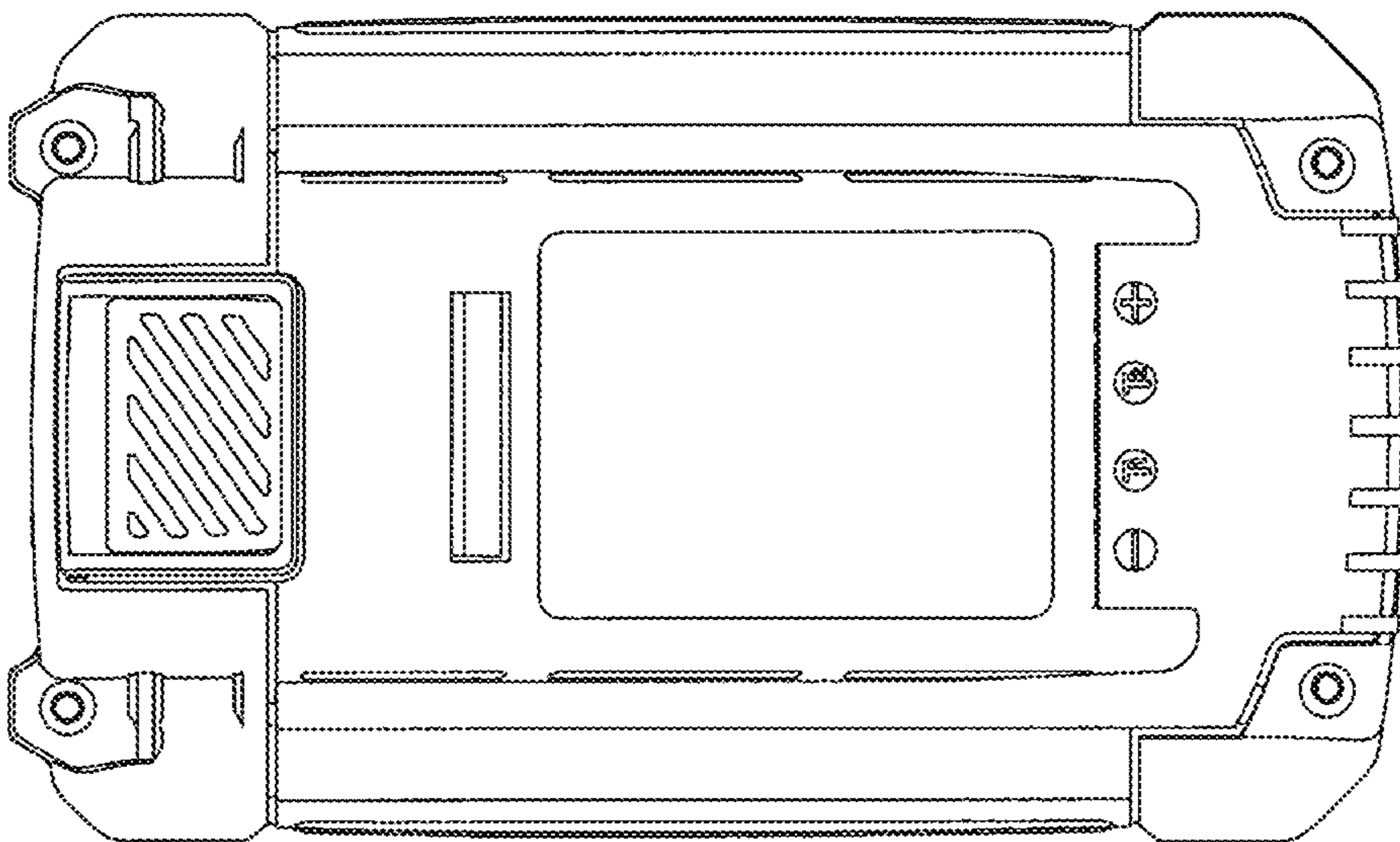
**Fig. 2**



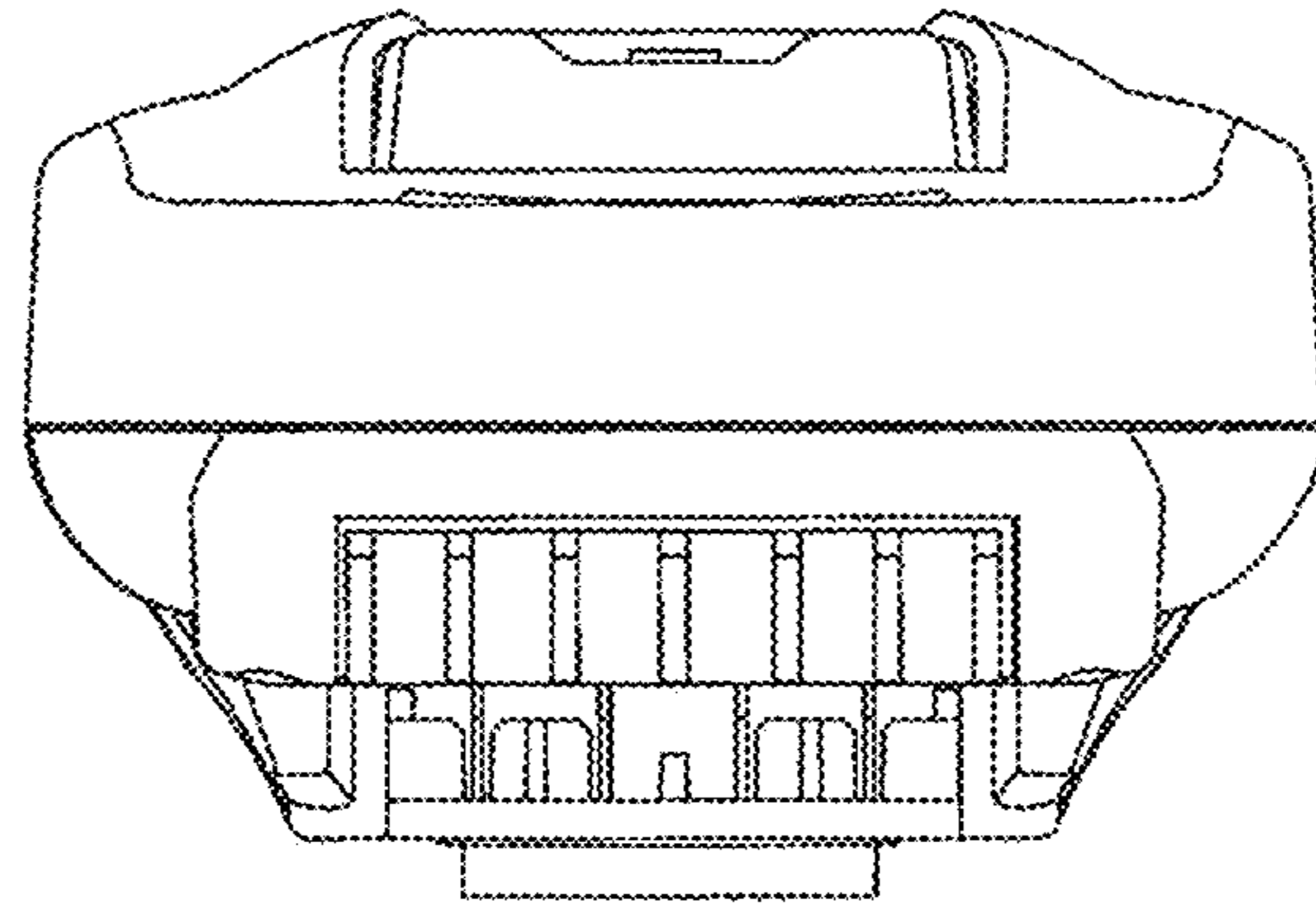
**Fig. 3**



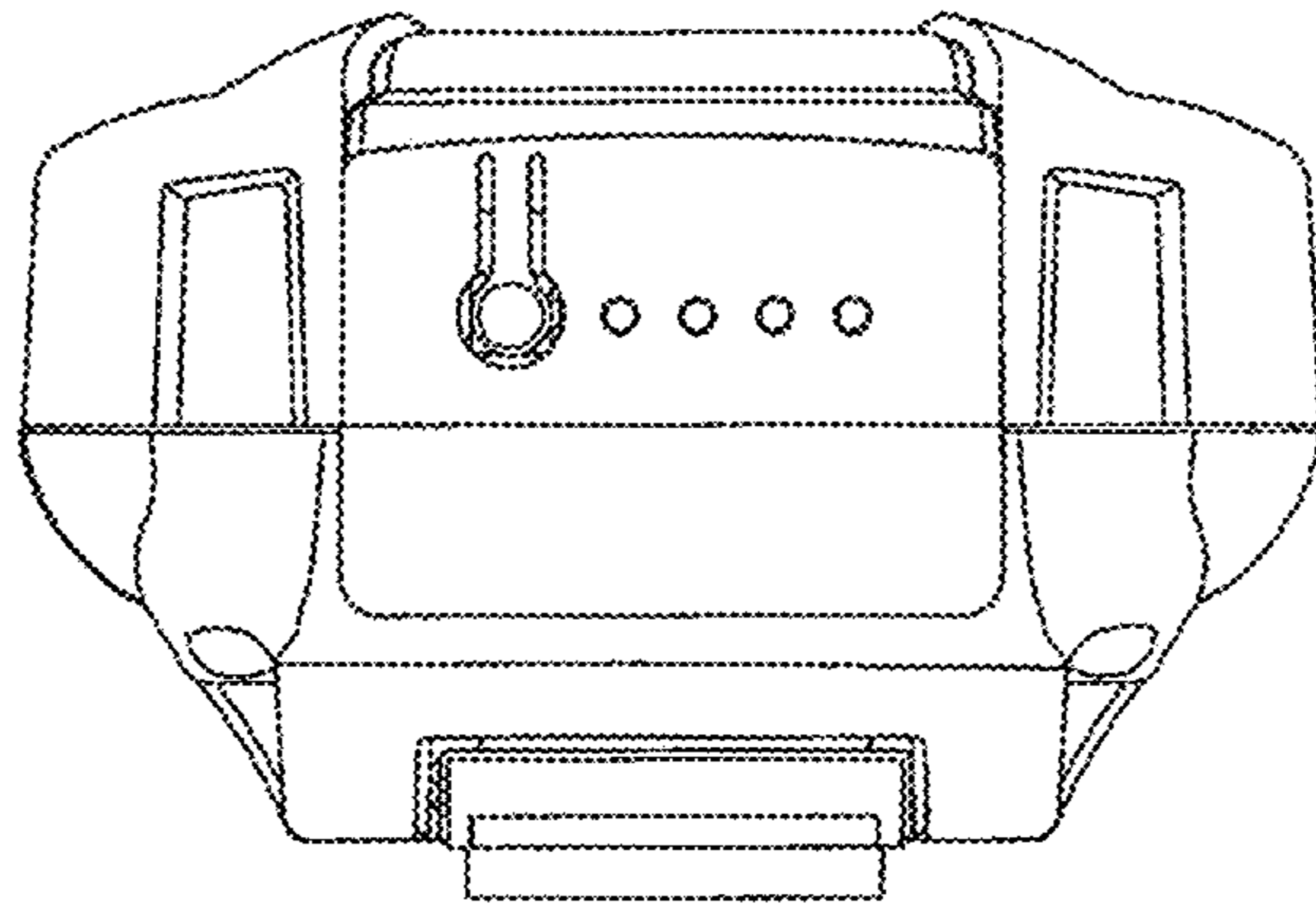
**Fig. 4**



**Fig. 5**



**Fig. 6**



**Fig. 7**