



US00D681549S

(12) **United States Design Patent**
Jackson

(10) **Patent No.:** **US D681,549 S**

(45) **Date of Patent:** **** May 7, 2013**

(54) **BATTERY BOX**

(75) Inventor: **Nicholas Jackson**, Carol Stream, IL
(US)

(73) Assignee: **Central Garden & Pet Company**,
Walnut Creek, CA (US)

(**) Term: **14 Years**

(21) Appl. No.: **29/418,238**

(22) Filed: **Apr. 13, 2012**

(51) **LOC (9) Cl.** **13-02**

(52) **U.S. Cl.**
USPC **D13/103**

(58) **Field of Classification Search** D13/102–106,
D13/110, 118–119, 184; 429/96–100, 163,
429/176

See application file for complete search history.

(56) **References Cited**

U.S. PATENT DOCUMENTS

D384,031 S *	9/1997	Lui	D13/103
D384,032 S *	9/1997	Lui	D13/103
D399,819 S *	10/1998	Iida	D13/103
D448,002 S *	9/2001	Yang	D13/103
D494,541 S *	8/2004	Hriscu et al.	D13/110
D511,743 S *	11/2005	Hriscu et al.	D13/107
D511,746 S *	11/2005	Lu	D13/110

D512,020 S *	11/2005	Wang	D13/110
D562,229 S *	2/2008	Peters	D13/103
D588,535 S *	3/2009	Krieger et al.	D13/107
D597,482 S *	8/2009	Kondo et al.	D13/103
D604,235 S *	11/2009	Tarter	D13/103
7,638,231 B2	12/2009	Kurosawa		
D618,167 S *	6/2010	Tiffe	D13/103
8,133,603 B2	3/2012	Moon		
2006/0172184 A1	8/2006	Hasuda		

* cited by examiner

Primary Examiner — Rosemary K Tarcza

(74) *Attorney, Agent, or Firm* — Grossman, Tucker,
Perreault & Pfeleger, PLLC

(57) **CLAIM**

The ornamental design for a battery box, as shown and described.

DESCRIPTION

FIG. 1 is a perspective view of a first embodiment of a battery box of the present invention;

FIG. 2 is a front view of the battery box of FIG. 1;

FIG. 3 is a rear view of the battery box of FIG. 1;

FIG. 4 is a top view of the battery box of FIG. 1;

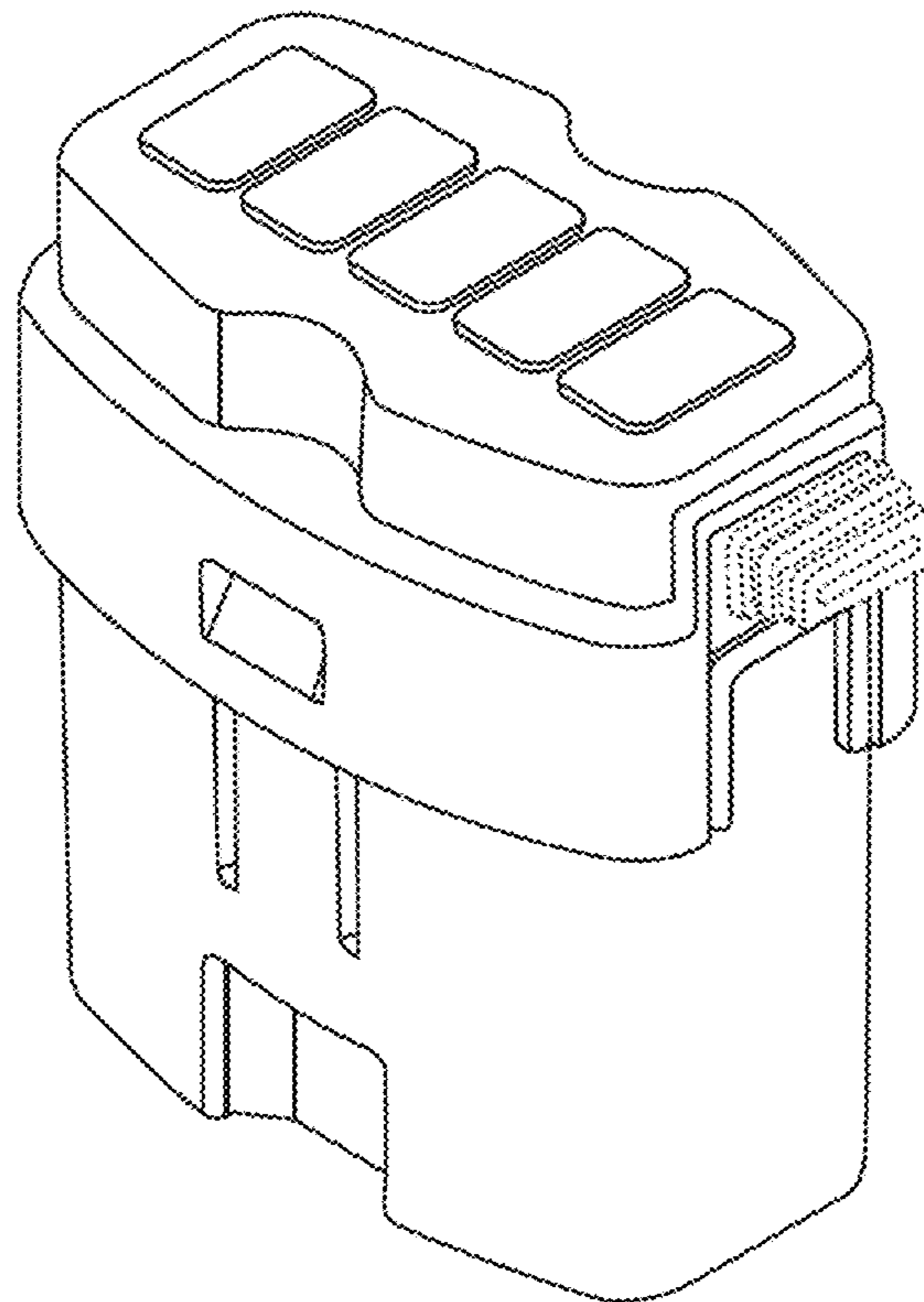
FIG. 5 is a bottom view of the battery box of FIG. 1;

FIG. 6 is a left side view of the battery box of FIG. 1; and,

FIG. 7 is a right side view of the battery box of FIG. 1.

The broken lines shown in the drawings are included for the purpose of illustrating environmental structure and form no part of the claimed design.

1 Claim, 4 Drawing Sheets



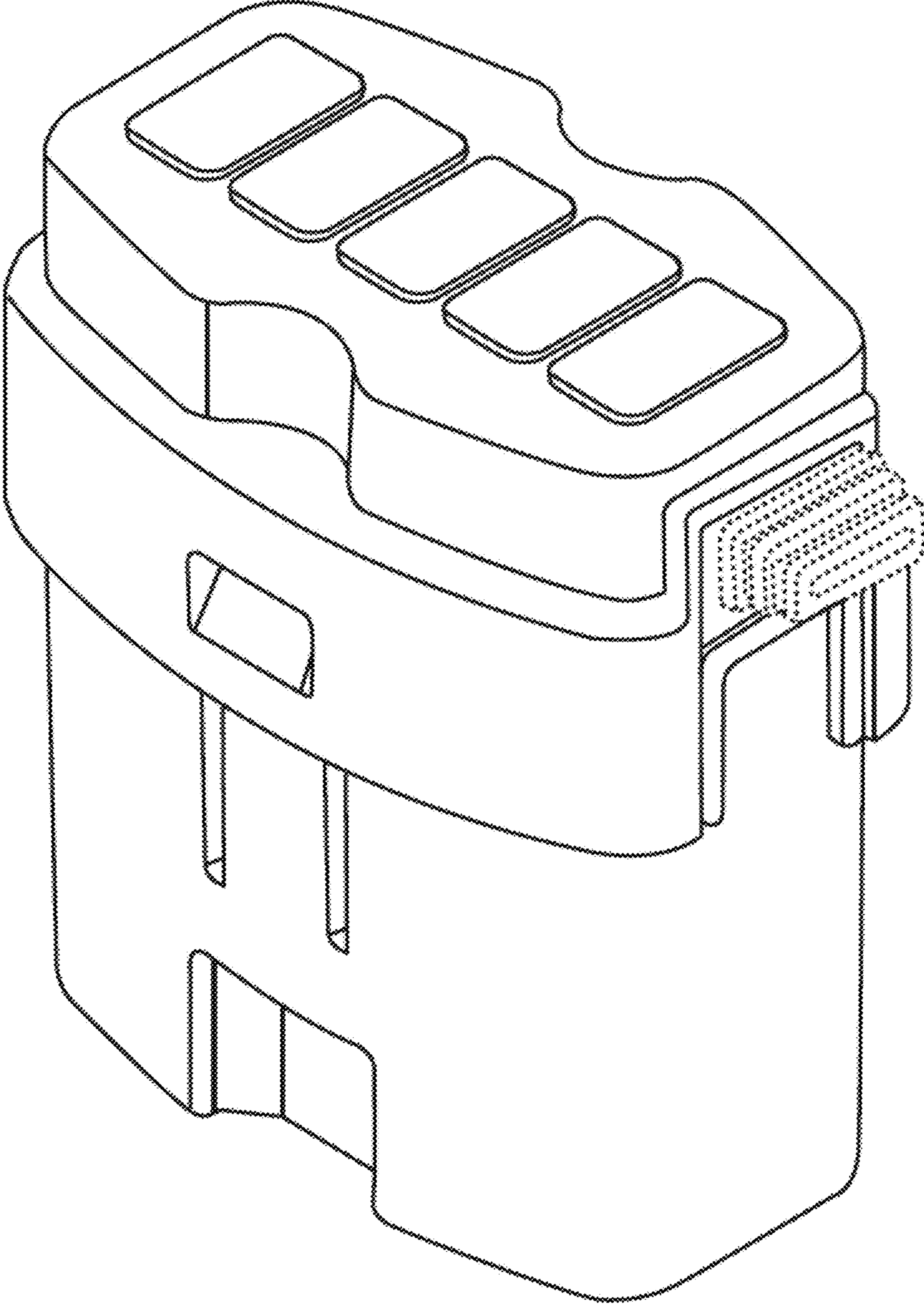


FIG. 1

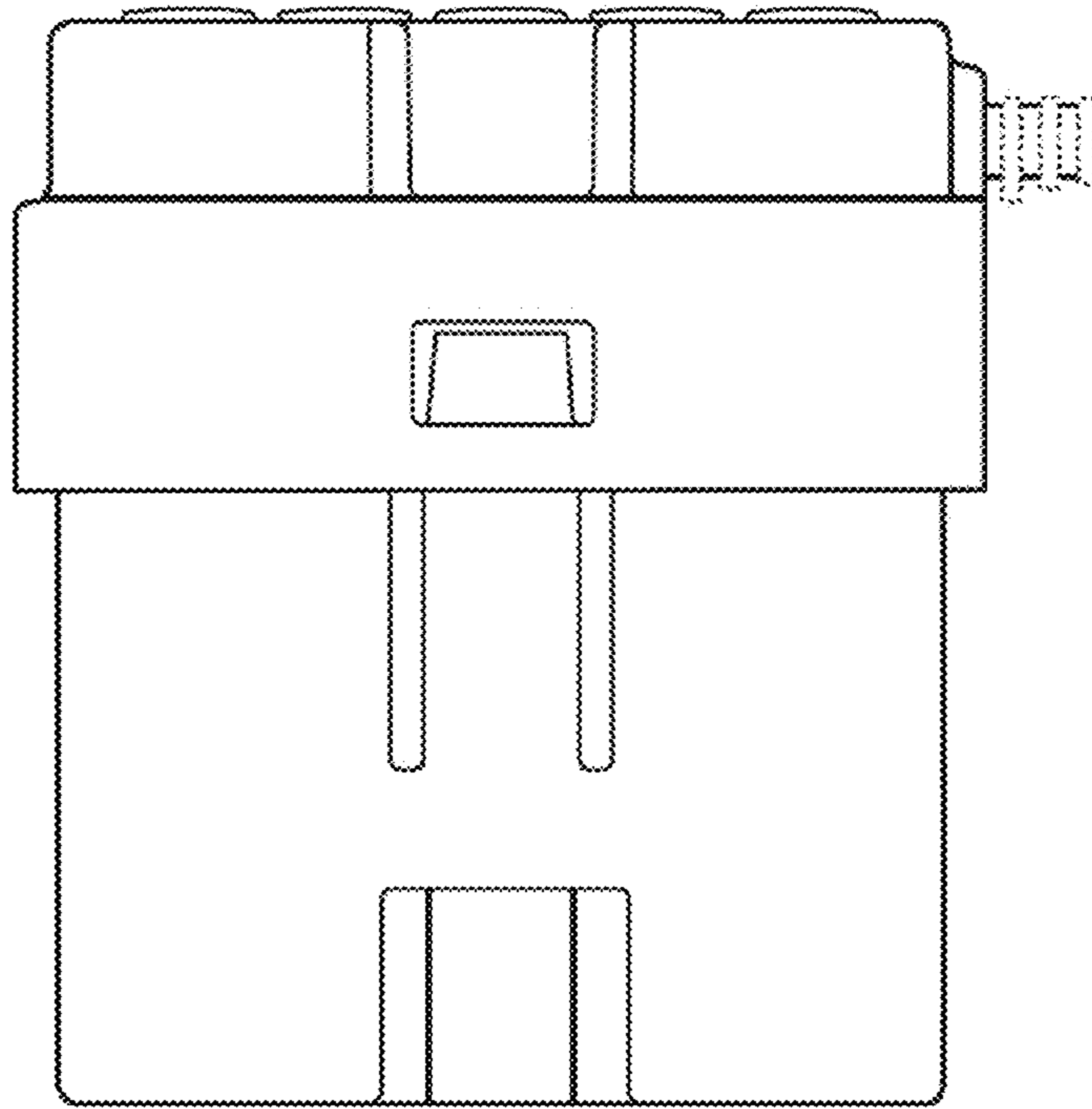


FIG. 2

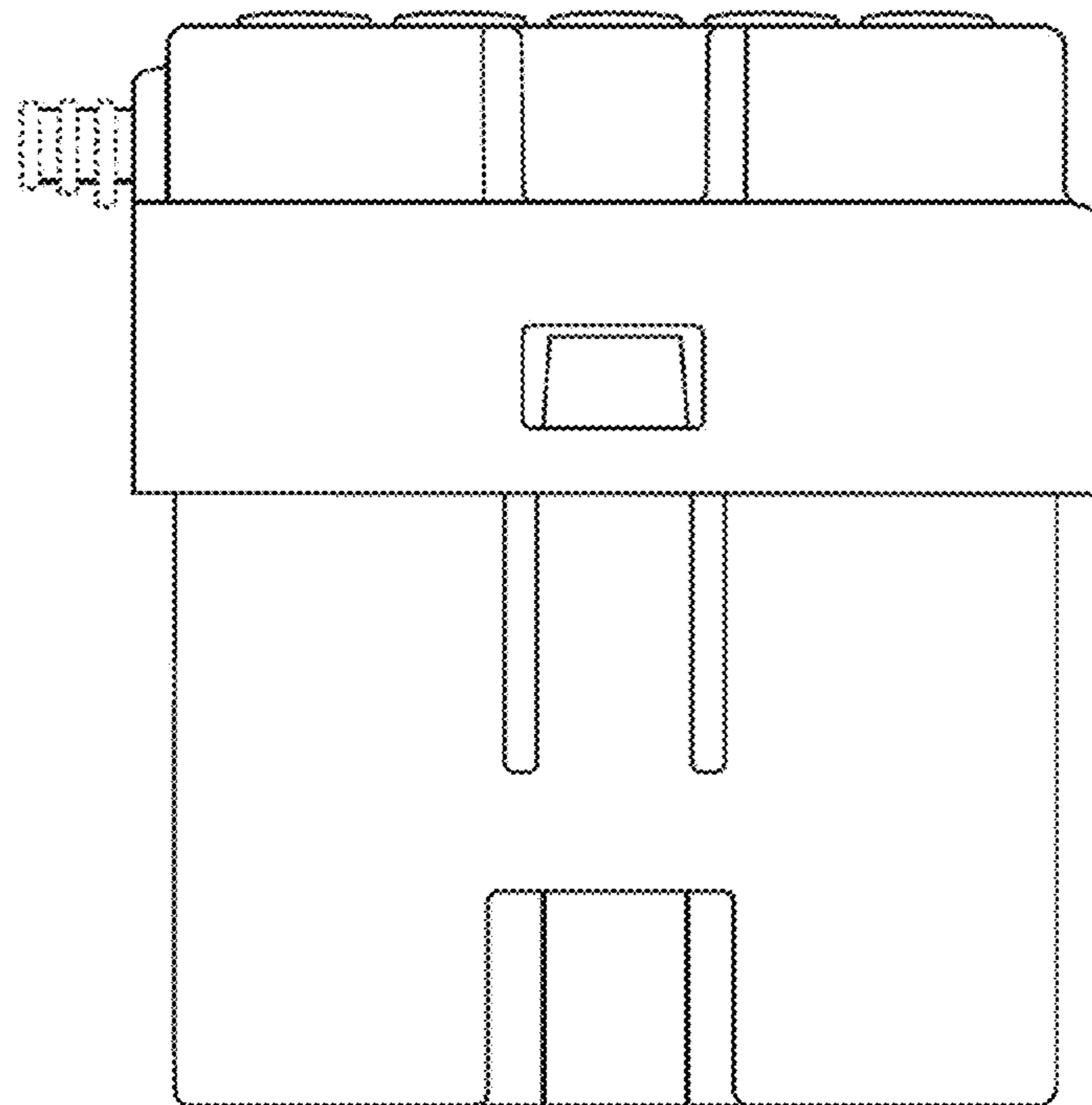


FIG. 3

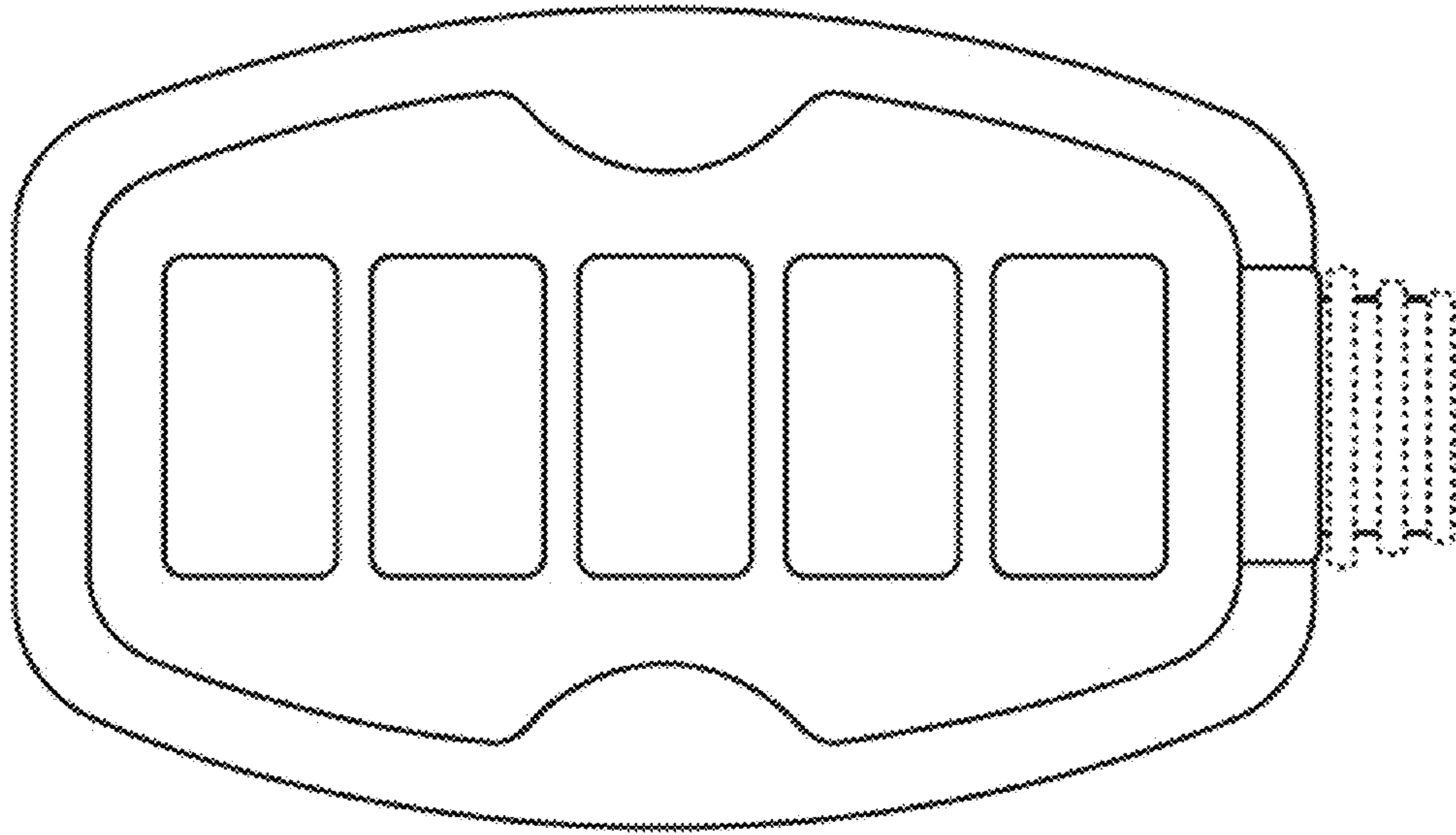


FIG. 4

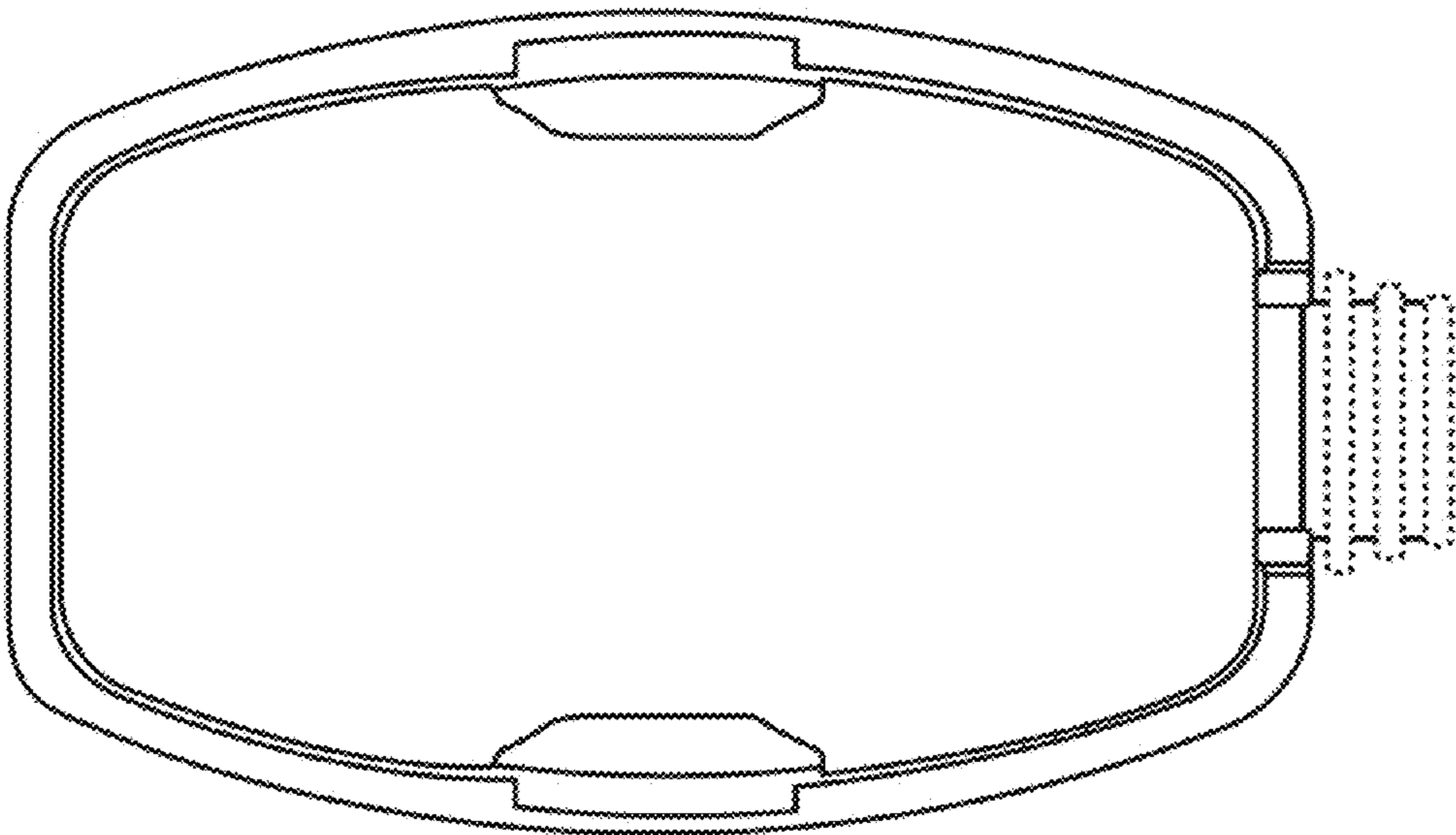


FIG. 5

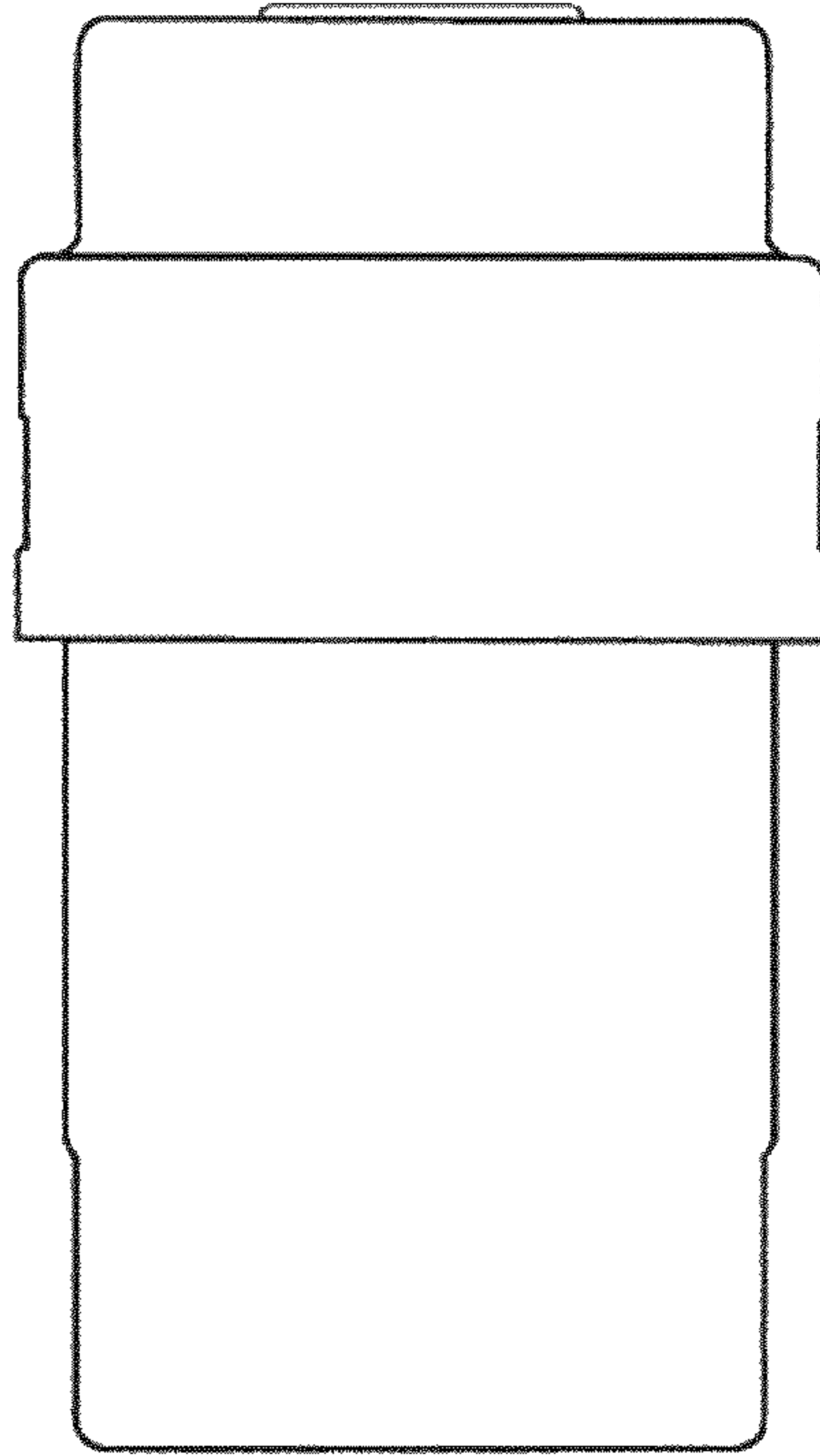


FIG. 6

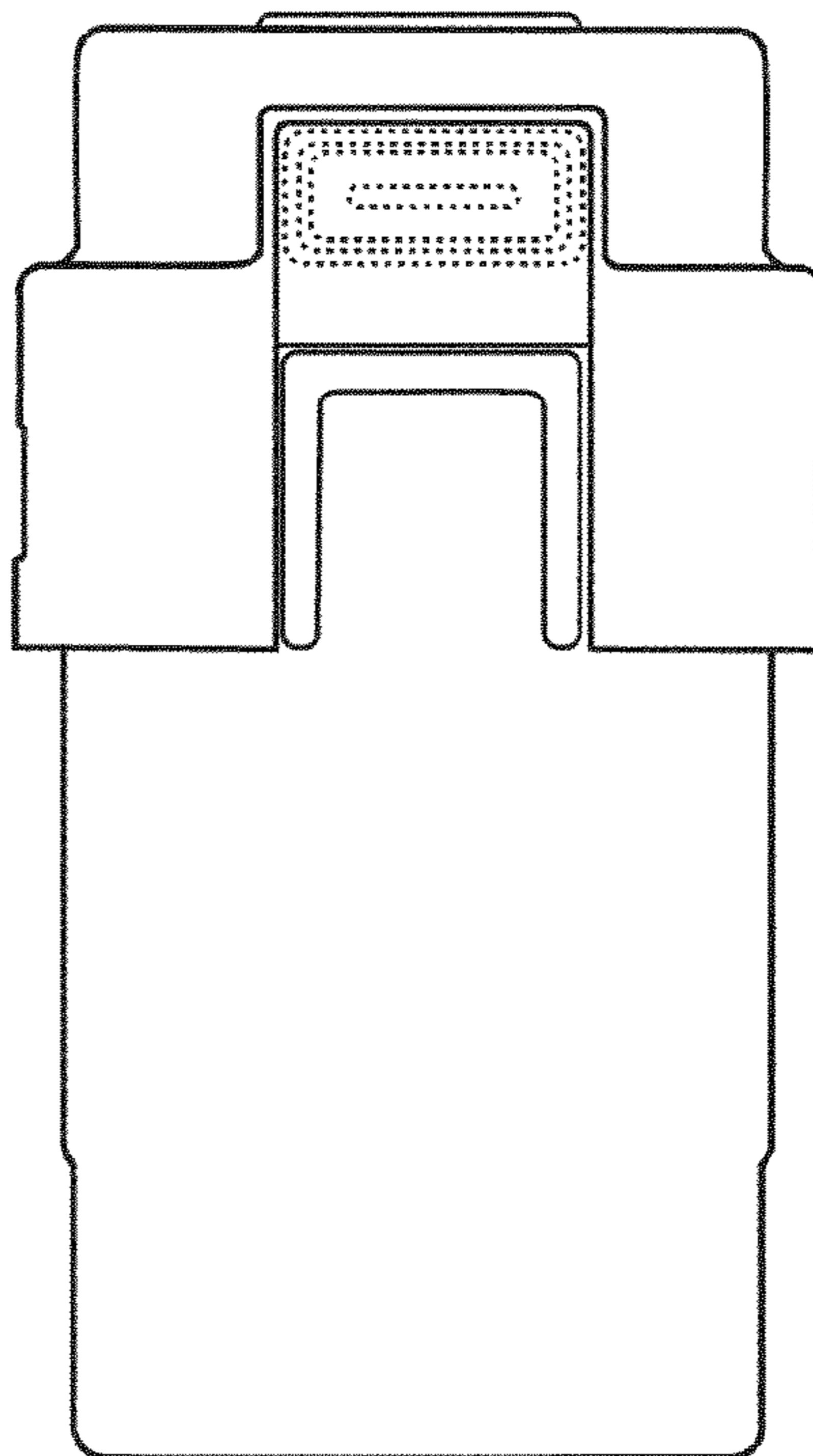


FIG. 7