



US00D681548S

(12) **United States Design Patent**
Zhang et al.

(10) **Patent No.:** **US D681,548 S**

(45) **Date of Patent:** **** May 7, 2013**

(54) **POWER CUBE**

(75) Inventors: **Bin Zhang**, Issaquah, WA (US); **Yi Ping Chan**, Seattle, WA (US); **Enrique Lasserre**, North Bay Village, FL (US)

(73) Assignee: **Solar Tech USA, Inc.**, Bellevue, WA (US)

(**) Term: **14 Years**

(21) Appl. No.: **29/366,321**

(22) Filed: **Jul. 22, 2010**

(51) **LOC (9) Cl.** **13-02**

(52) **U.S. Cl.**
USPC **D13/102**

(58) **Field of Classification Search** D13/102,
D13/101, 103, 107, 108, 110, 184, 199; D3/273;
D14/432, 433; D21/499, 500, 516; 136/206,
136/243, 244, 245, 246, 247, 252; 320/101
See application file for complete search history.

(56) **References Cited**

U.S. PATENT DOCUMENTS

3,836,218	A	*	9/1974	Hallal	312/111
D303,651	S	*	9/1989	Strumor	D13/102
D400,162	S	*	10/1998	Lam	D13/107
6,476,311	B1	*	11/2002	Lee et al.	136/244
D490,051	S	*	5/2004	Kikumoto	D13/102
D502,059	S	*	2/2005	Bukowski et al.	D7/605
D516,501	S	*	3/2006	Ware, Jr.	D13/102

D517,006	S	*	3/2006	Bessmertny	D13/102
7,388,348	B2	*	6/2008	Mattichak	320/101
D582,842	S	*	12/2008	Wei	D13/102
D602,855	S	*	10/2009	Lu et al.	D13/102
D610,212	S	*	2/2010	Pedersen	D21/499
D611,406	S	*	3/2010	Oikawa et al.	D13/102

* cited by examiner

Primary Examiner — Derrick Holland

(74) *Attorney, Agent, or Firm* — Lowe Graham Jones PLLC

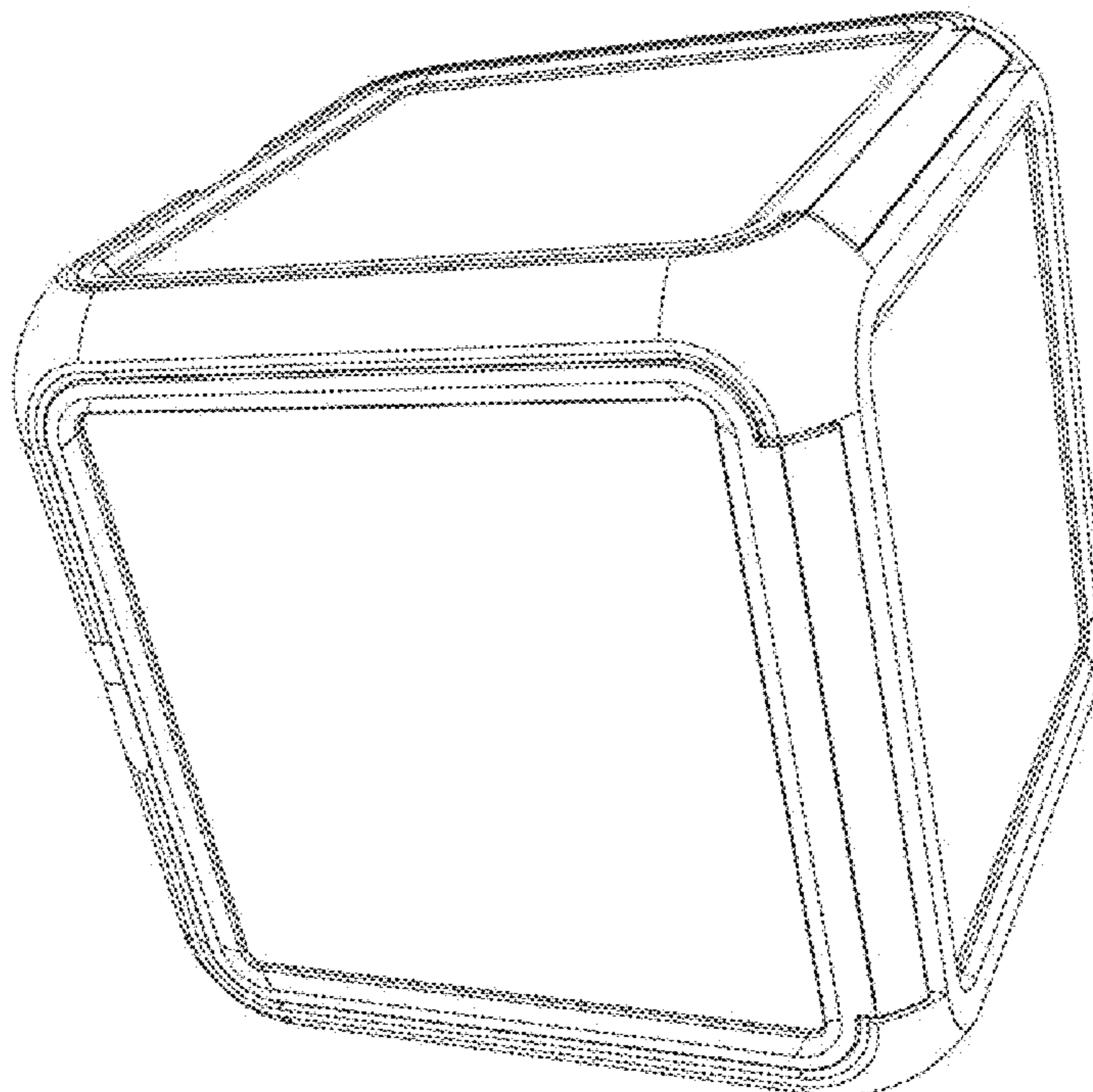
(57) **CLAIM**

The ornamental design for a power cube, as shown and described.

DESCRIPTION

FIG. 1 is a front, left side and top perspective view of a power cube showing our new design in a closed position;
 FIG. 2 is a front, left side and bottom perspective view thereof;
 FIG. 3 is a right side elevation view thereof;
 FIG. 4 is a bottom plan view thereof;
 FIG. 5 is a left side elevation view thereof;
 FIG. 6 is a top plan view thereof;
 FIG. 7 is a front, left side and top perspective view of a power cube showing our new design in a partially open position;
 FIG. 8 is a right side and bottom perspective view thereof;
 FIG. 9 is a right side elevation view thereof;
 FIG. 10 is a bottom plan view thereof;
 FIG. 11 is a left side elevation view thereof; and,
 FIG. 12 is a front elevation view thereof.

1 Claim, 12 Drawing Sheets



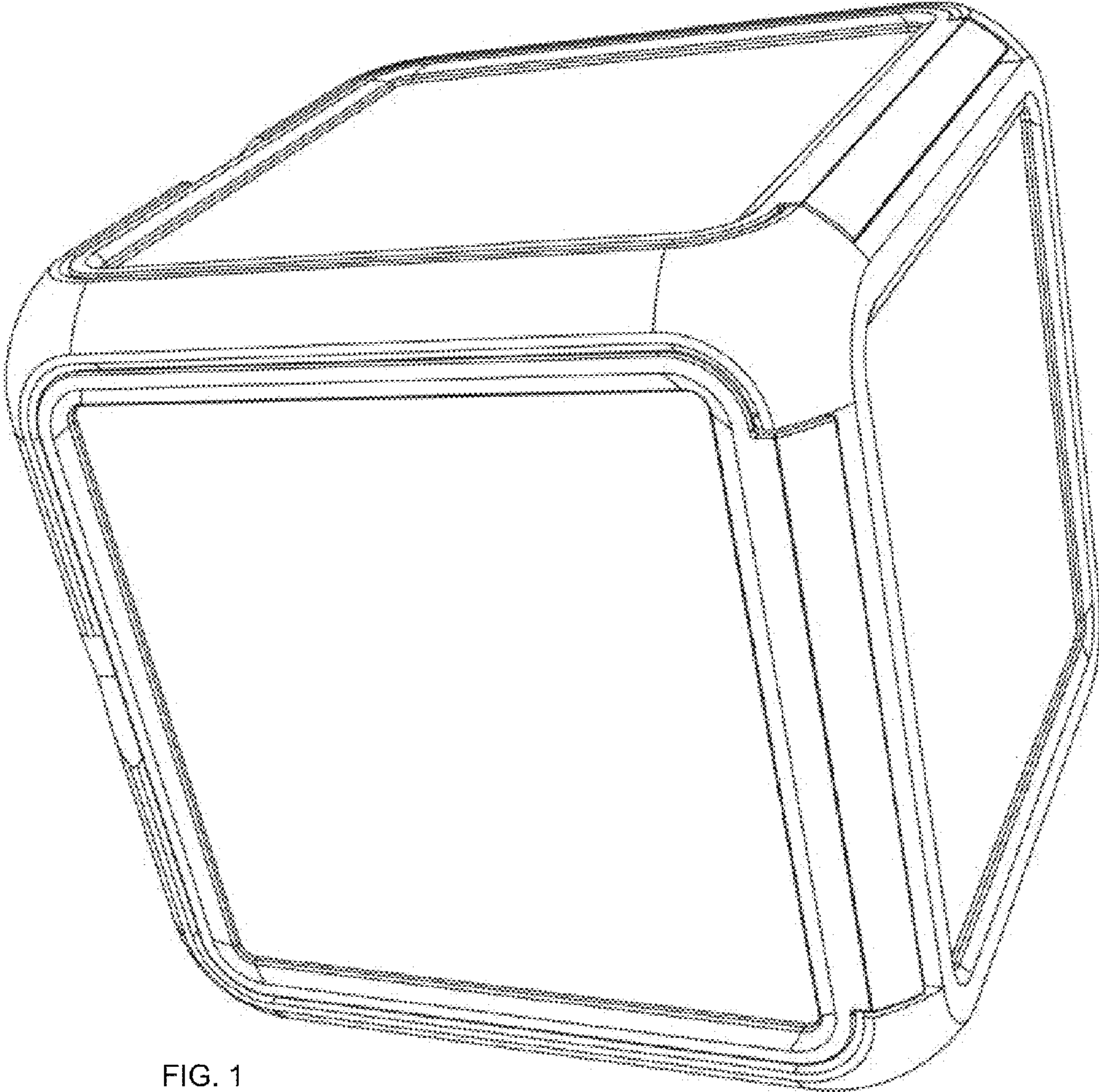


FIG. 1

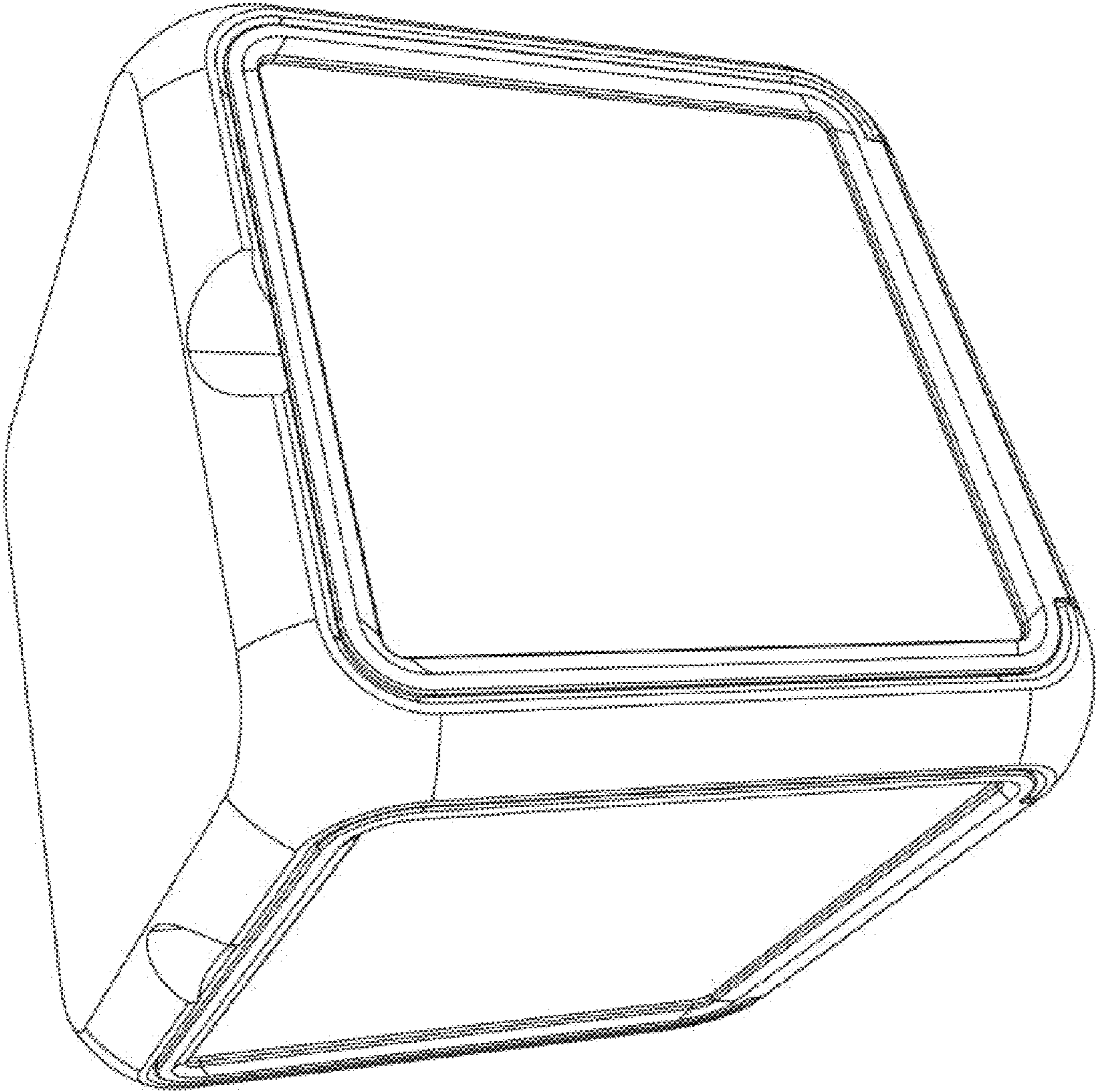


FIG. 2

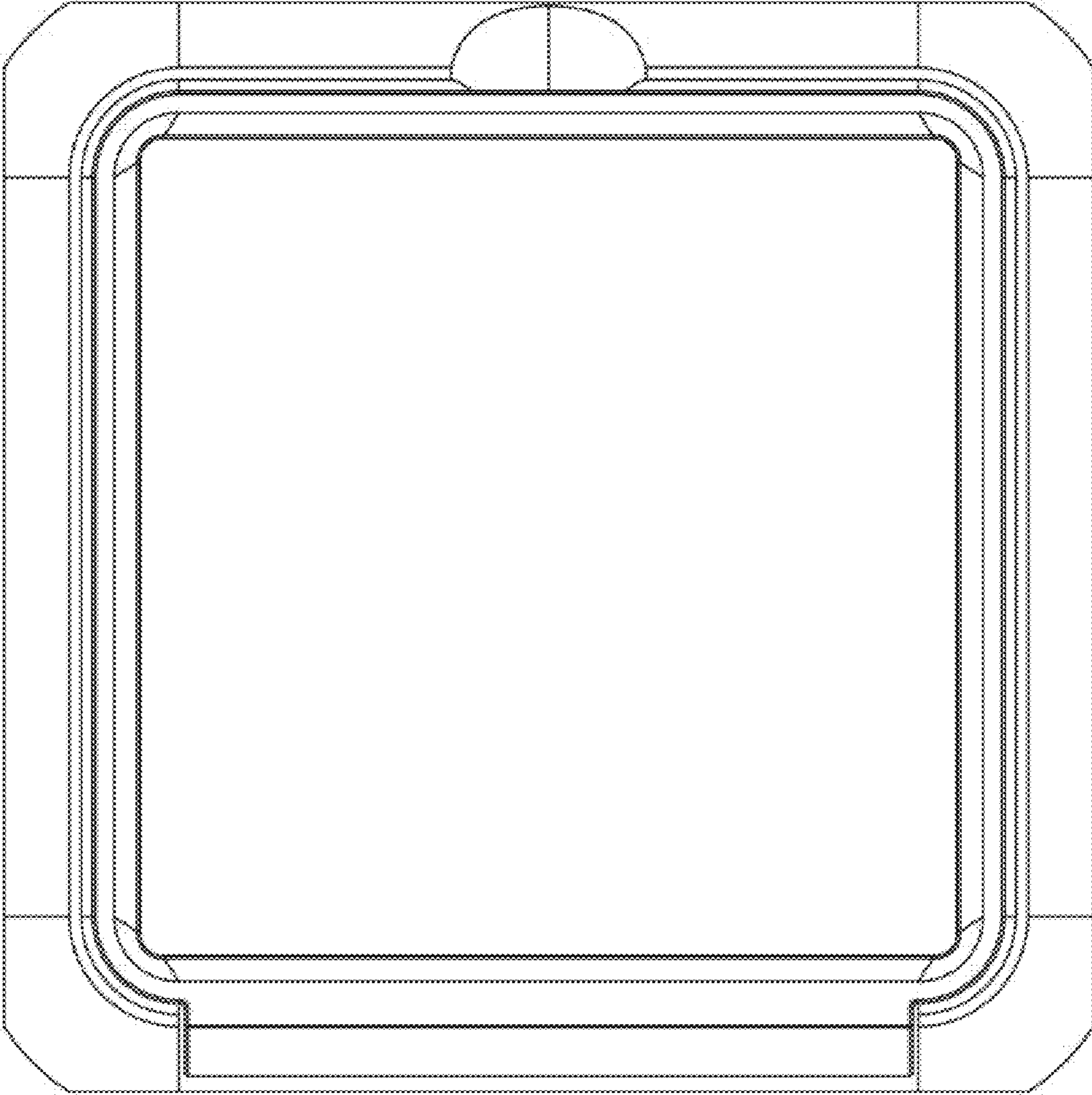


FIG. 3

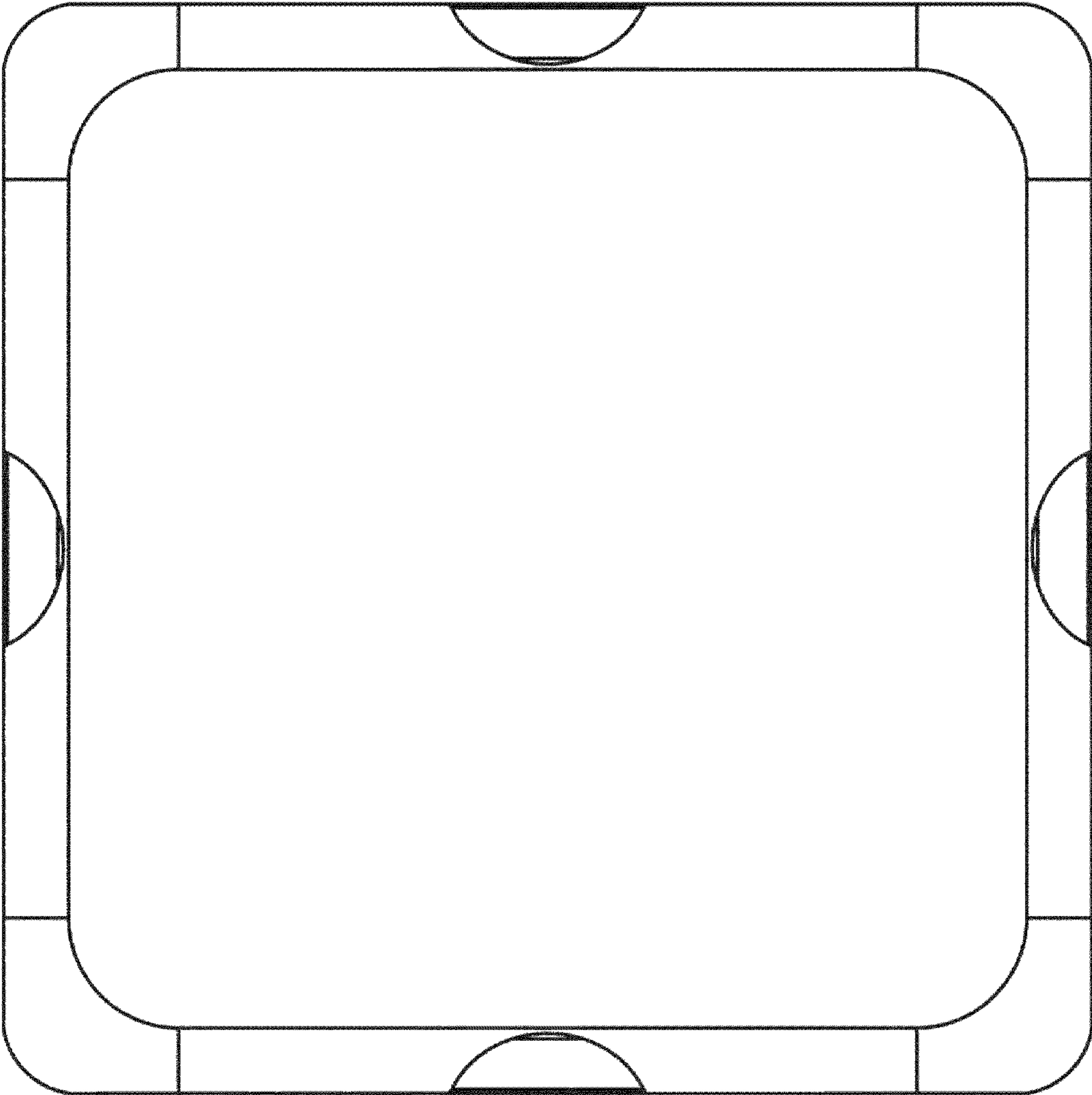


Fig. 4

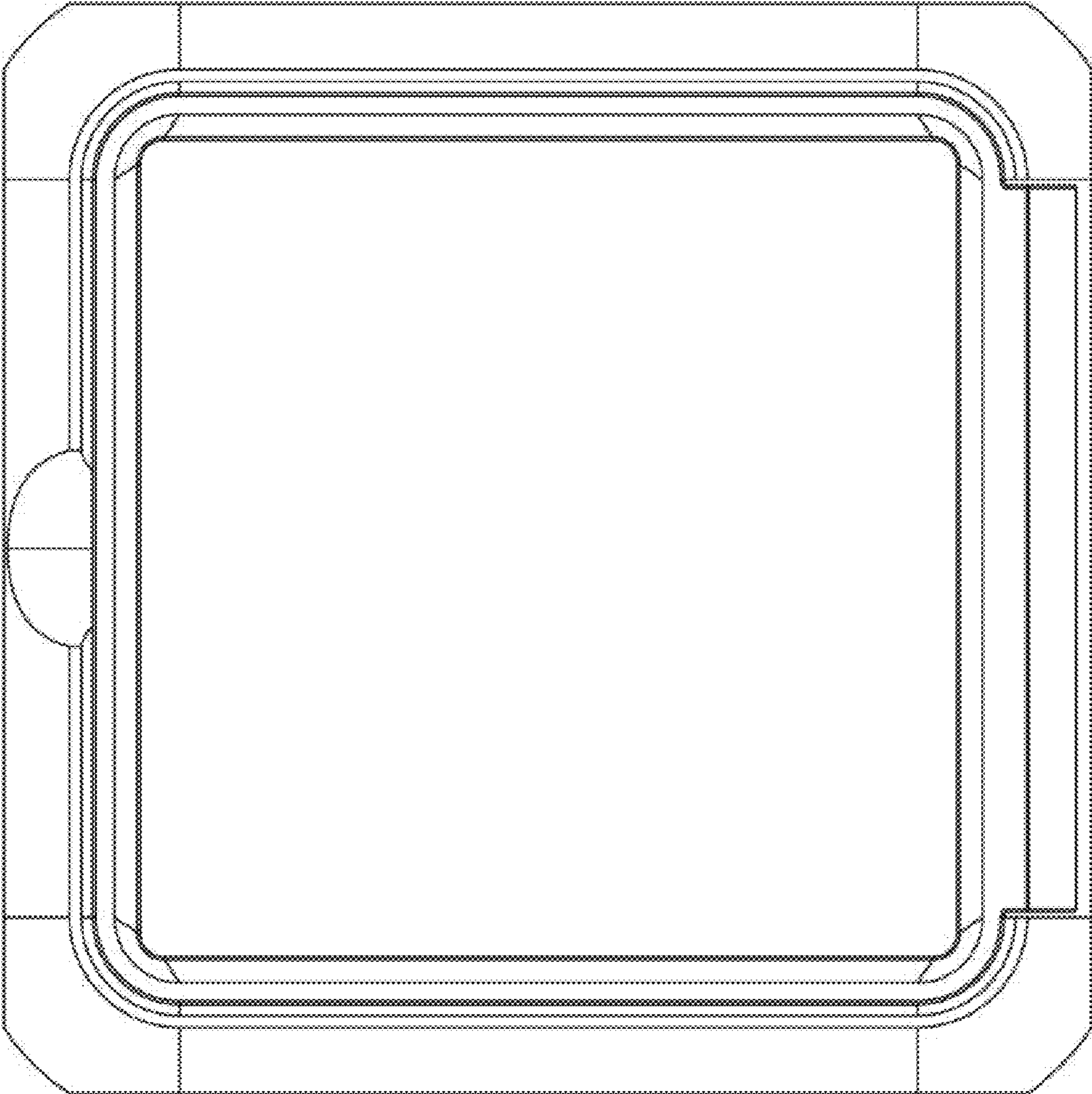


FIG. 5

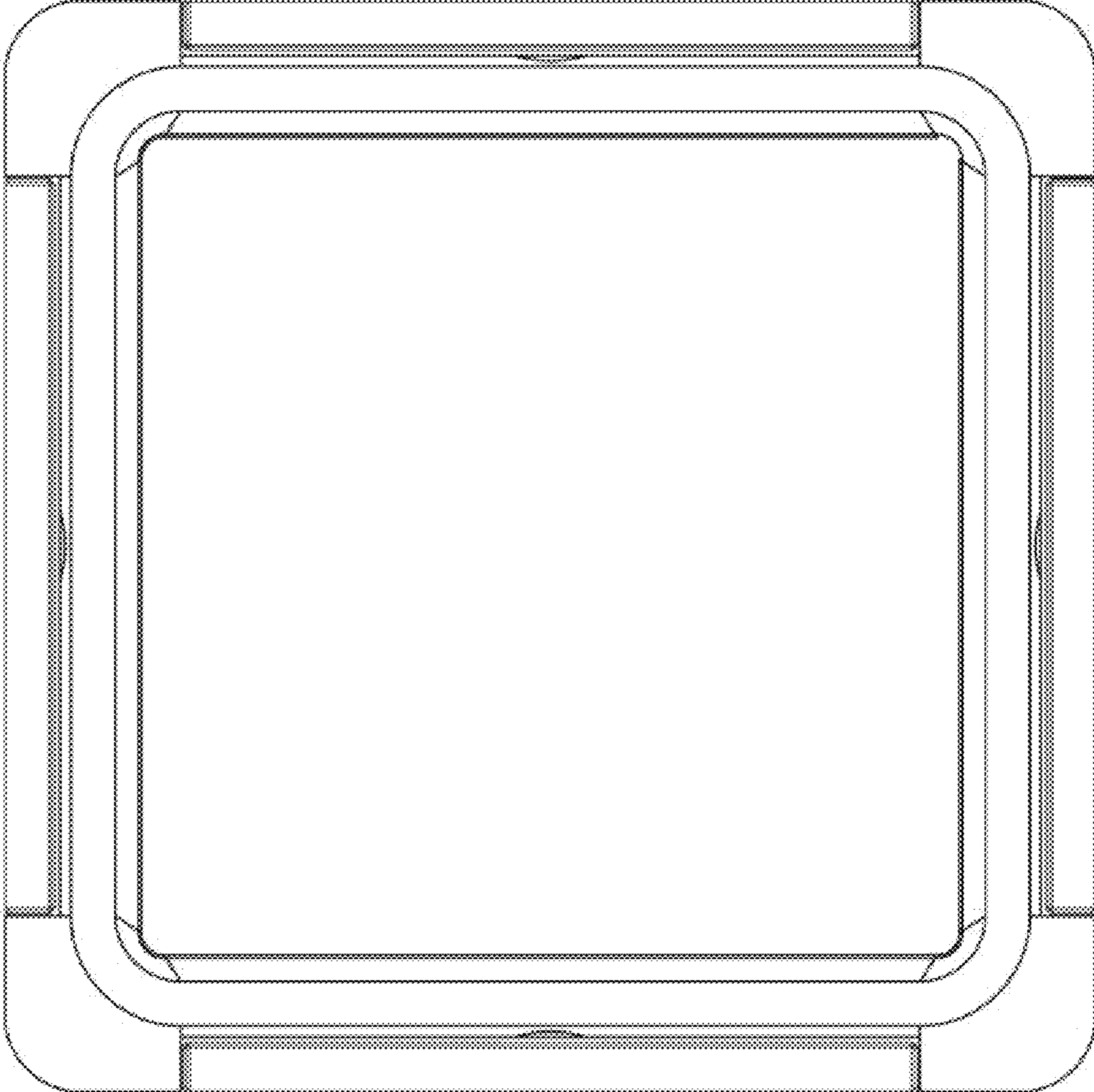


FIG. 6

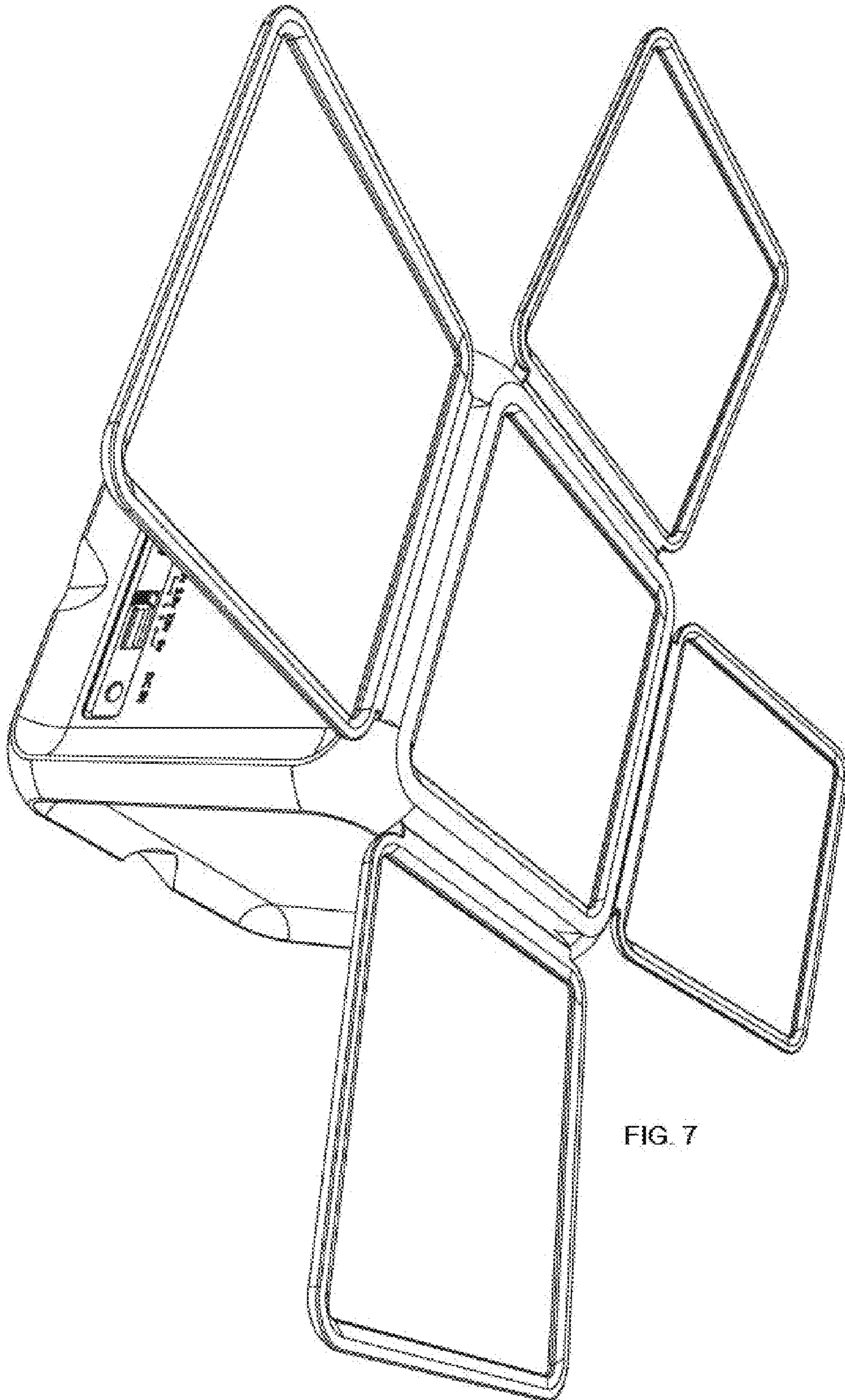


FIG. 7

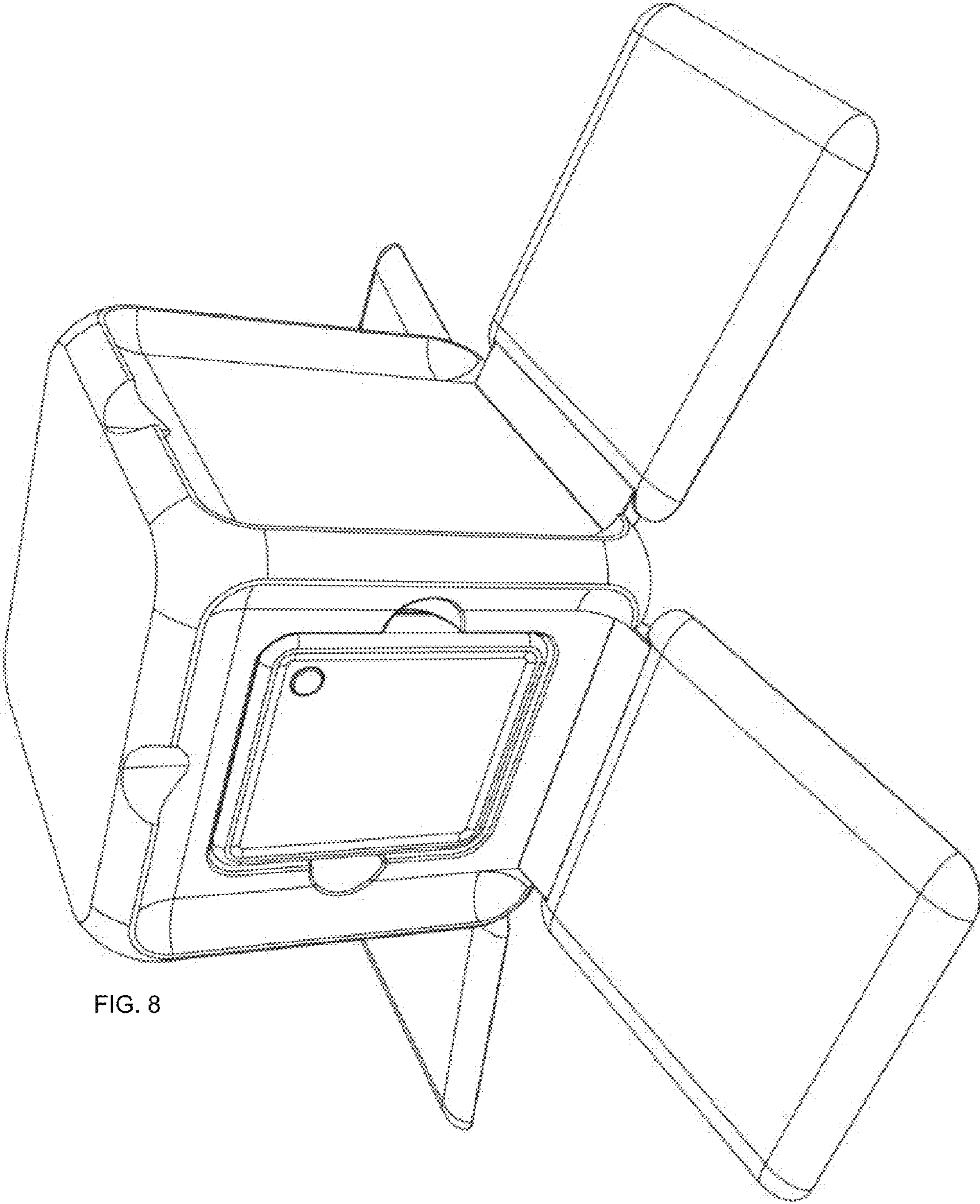


FIG. 8

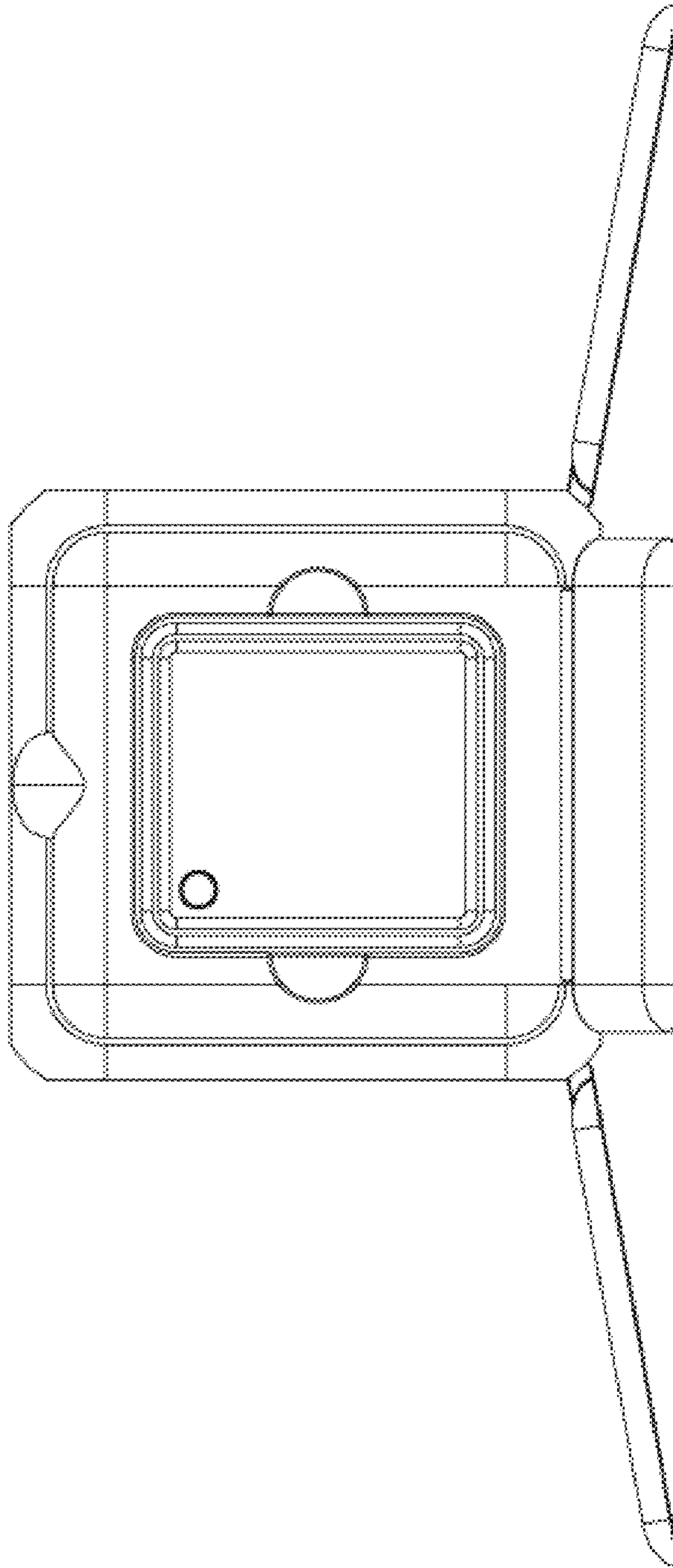


FIG. 9

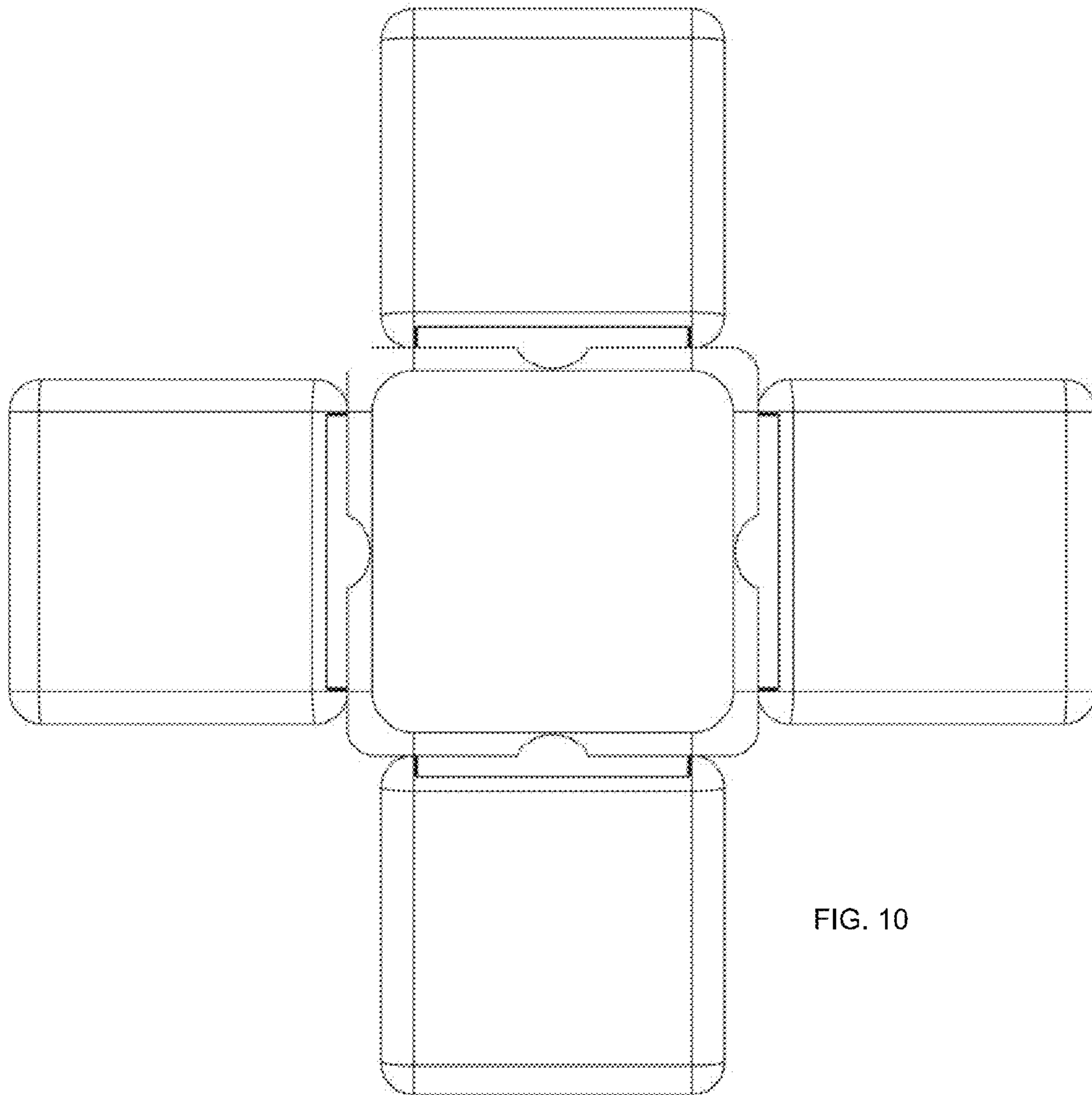


FIG. 10

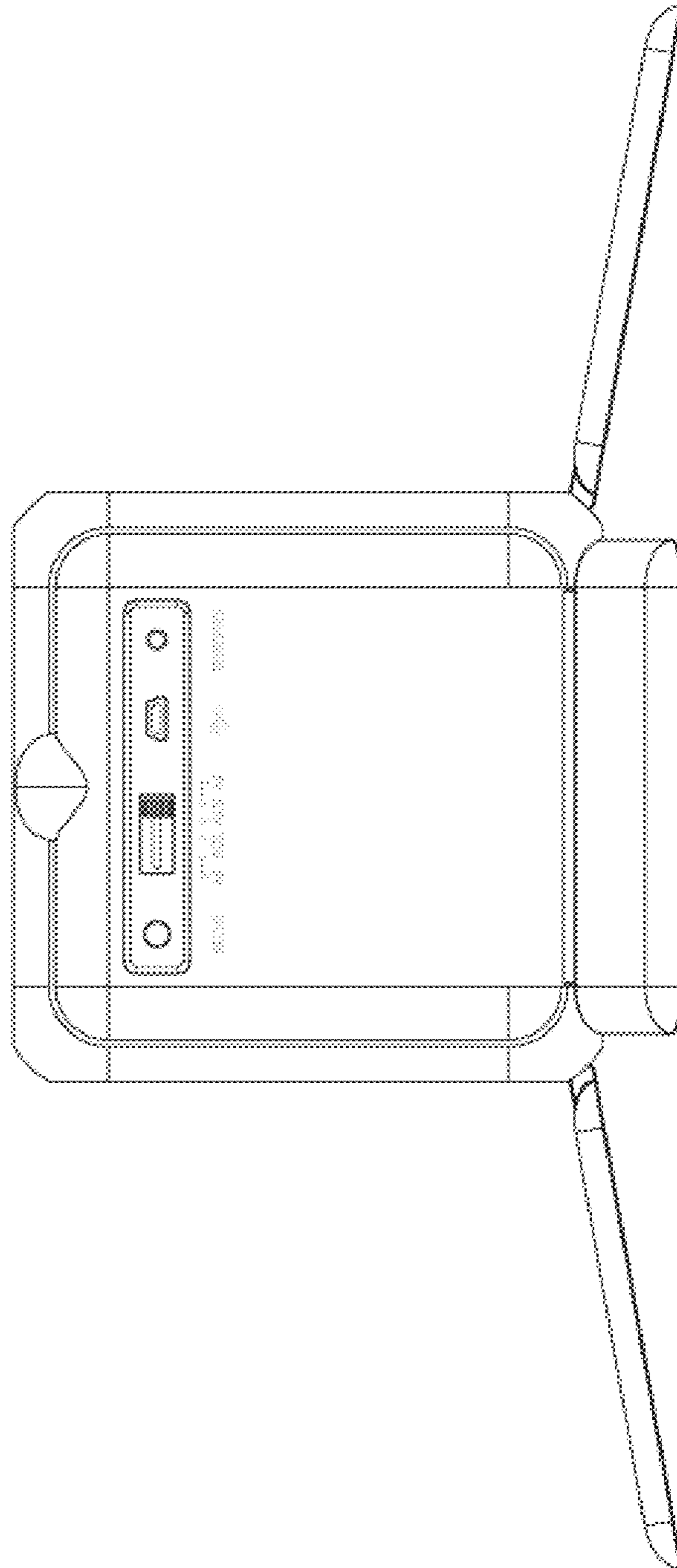


FIG.11

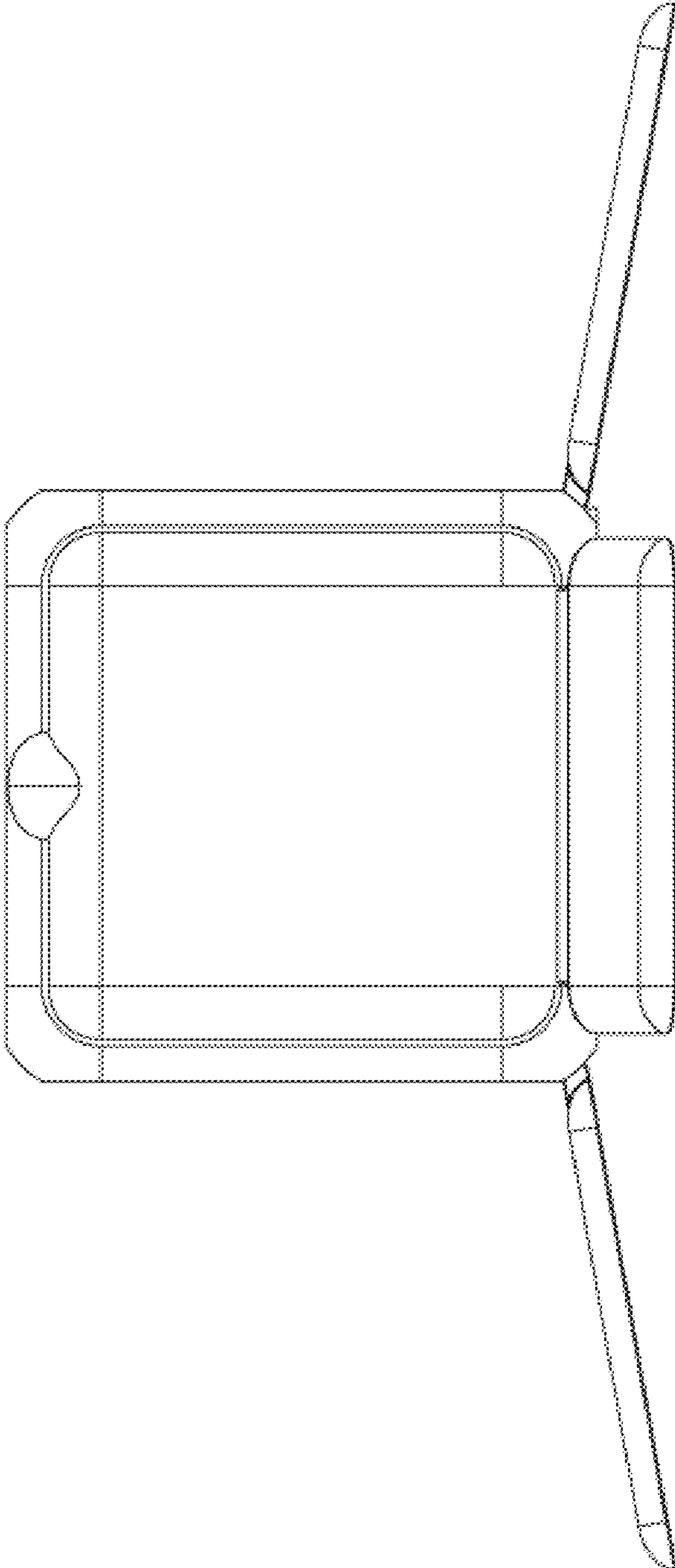


FIG. 12