



US00D681547S

(12) **United States Design Patent**
Sato

(10) **Patent No.:** **US D681,547 S**
(45) **Date of Patent:** **** May 7, 2013**

(54) **TIRE**

(71) Applicant: **Toyo Tire & Rubber Co., Ltd., Osaka (JP)**

(72) Inventor: **Yoshiki Sato, Osaka (JP)**

(73) Assignee: **Toyo Tire & Rubber Co., Ltd., Osaka (JP)**

(**) Term: **14 Years**

(21) Appl. No.: **29/441,668**

(22) Filed: **Jan. 8, 2013**

(30) **Foreign Application Priority Data**

Sep. 11, 2012 (JP) 2012-021923

(51) **LOC (9) Cl.** **12-15**

(52) **U.S. Cl.**
USPC **D12/605**

(58) **Field of Classification Search** D12/500-501,
D12/544, 579, 600-605; 152/523-524, DIG. 12,
152/555; D7/588, 396.4-396.5
See application file for complete search history.

(56) **References Cited**

U.S. PATENT DOCUMENTS

| | | | |
|--------------|---------|---------------------|---------|
| D540,740 S * | 4/2007 | Maxwell et al. | D12/605 |
| D598,843 S * | 8/2009 | Maxwell | D12/605 |
| D602,427 S * | 10/2009 | Takahashi | D12/605 |
| D606,016 S * | 12/2009 | Scheifele | D12/605 |
| D610,980 S * | 3/2010 | Shondel | D12/605 |

| | | | |
|--------------|--------|----------------------|---------|
| D638,784 S * | 5/2011 | Scheifele | D12/605 |
| D640,187 S * | 6/2011 | Fontaine et al. | D12/605 |
| D655,671 S * | 3/2012 | Yasunaga | D12/605 |
| D656,090 S * | 3/2012 | Sato | D12/605 |
| D662,465 S * | 6/2012 | Takano | D12/605 |
| D666,143 S * | 8/2012 | Sato | D12/605 |

FOREIGN PATENT DOCUMENTS

| | | |
|----|----------|--------|
| JP | D1336570 | 7/2008 |
| JP | D1349430 | 1/2009 |

* cited by examiner

Primary Examiner — Stacia Cadmus

(74) *Attorney, Agent, or Firm* — Sterne, Kessler, Goldstein & Fox PLLC

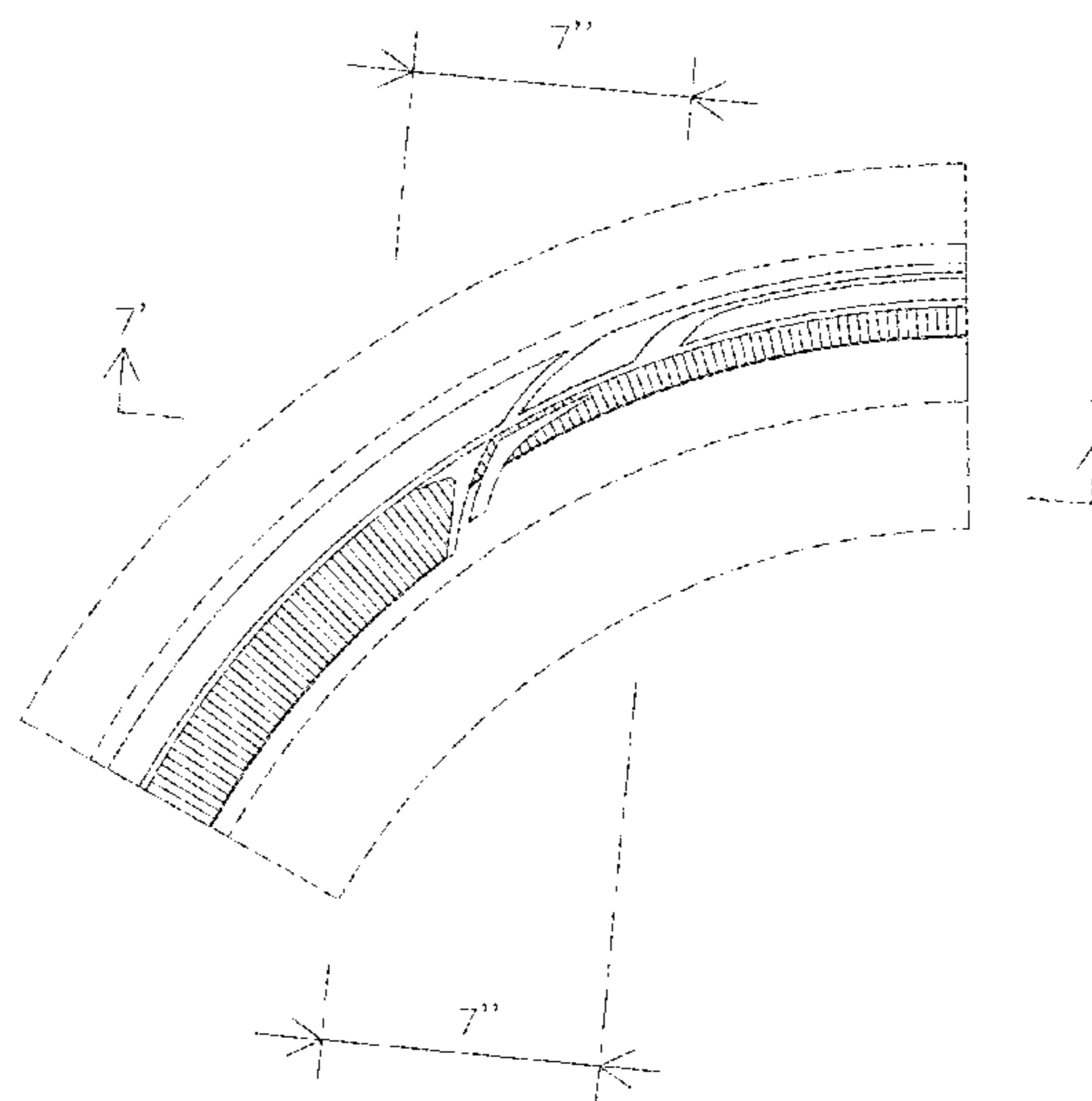
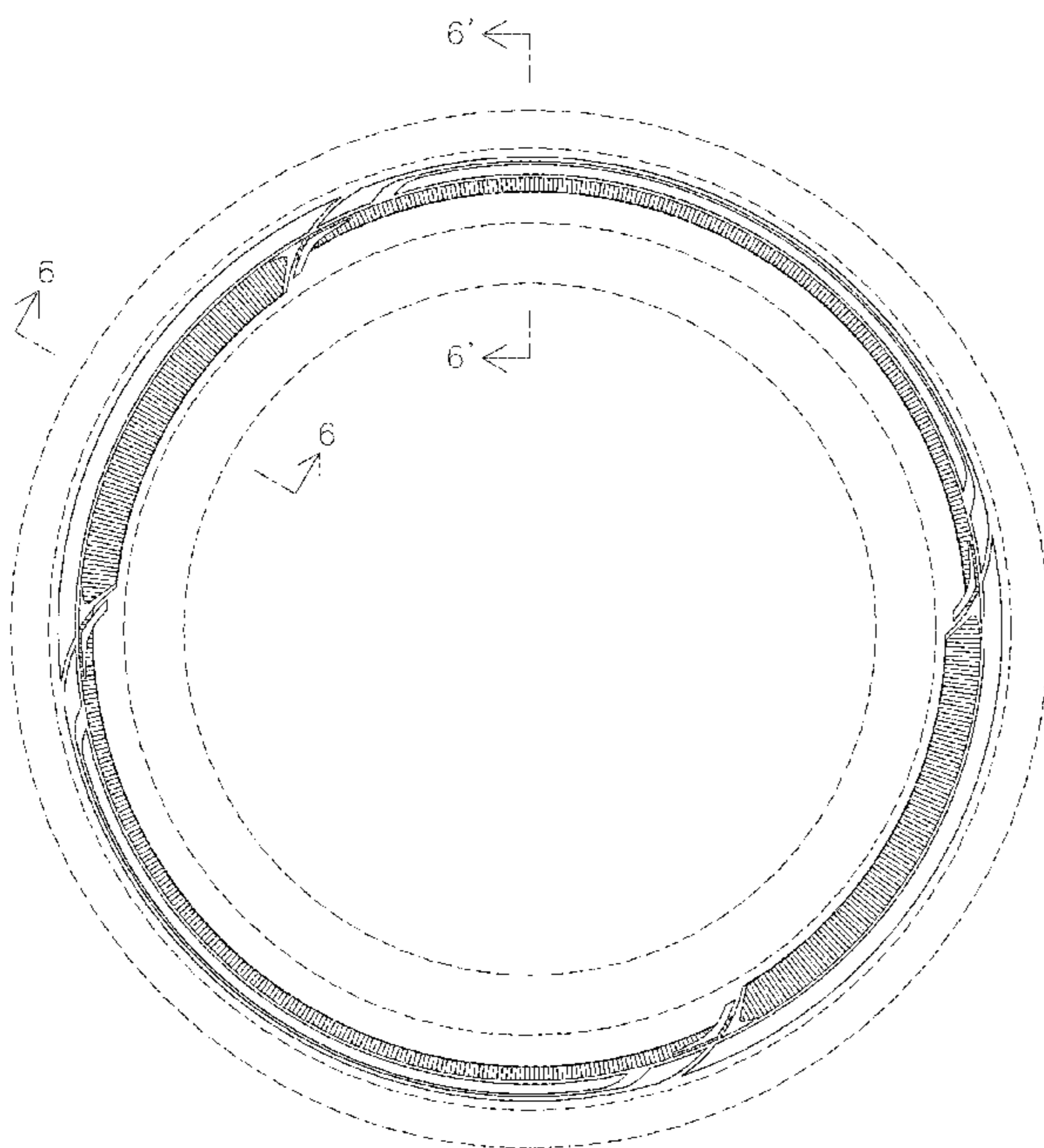
(57) **CLAIM**

The ornamental design for a tire, as shown and described.

DESCRIPTION

FIG. 1 is a perspective view of a tire showing my new design; FIG. 2 is a front view thereof; FIG. 3 is a rear view thereof; FIG. 4 is a top plan view thereof, for which the bottom plan view is a mirror image; FIG. 5 is a left side view thereof, for which the right side view is a mirror image; FIG. 6 is an enlarged view taken along lines 6-6 and 6'-6' in FIG. 2; and, FIG. 7 is an enlarged cross-sectional view taken along line 7-7 in FIG. 4 and lines 7'-7' and 7''-7'' in FIG. 6. In the drawings, the broken lines showing portions of the tire tread, sidewall, and inner bead depict portions of the tire which form no part of the claimed design.

1 Claim, 7 Drawing Sheets



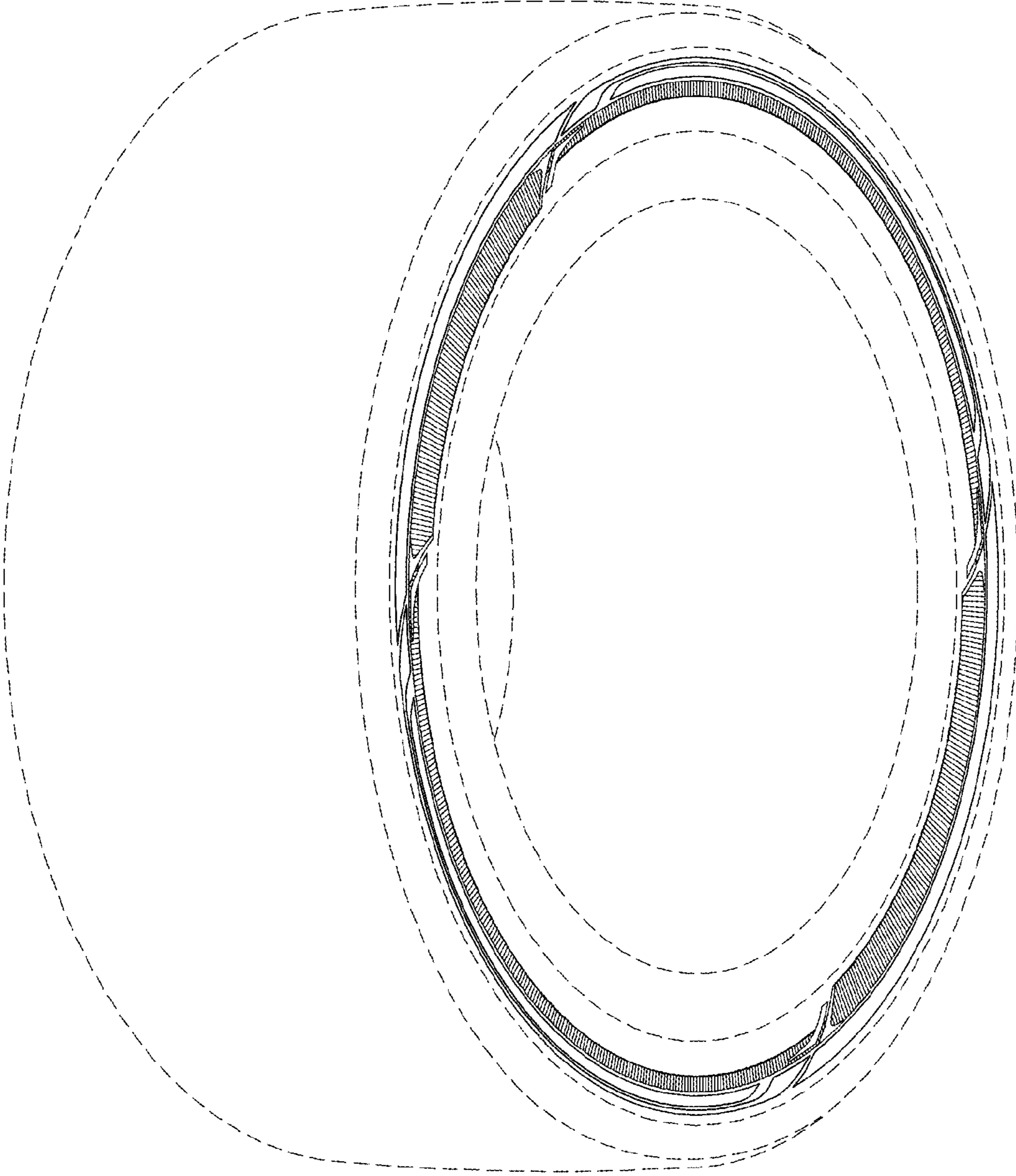


FIG. 1

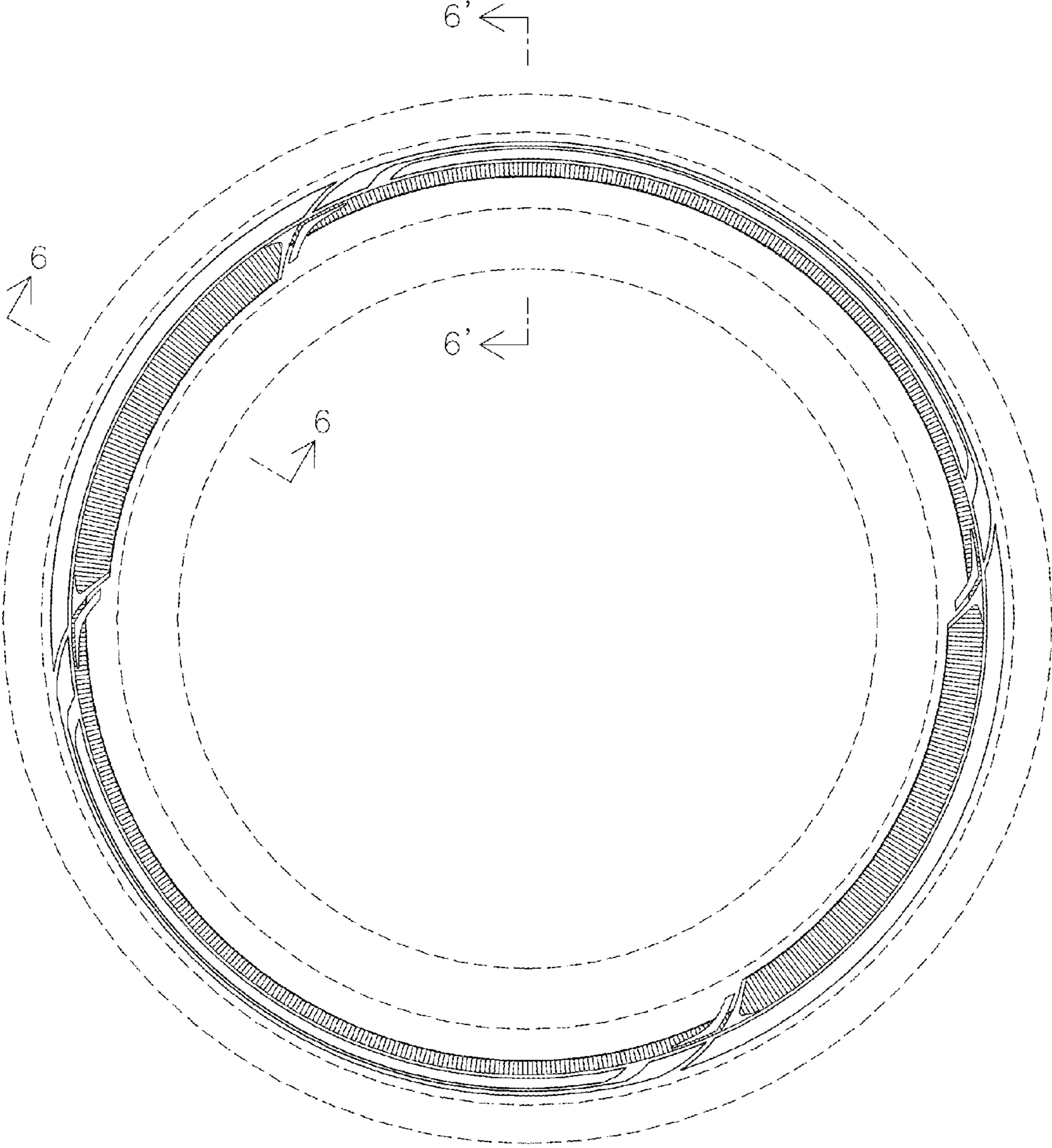


FIG. 2

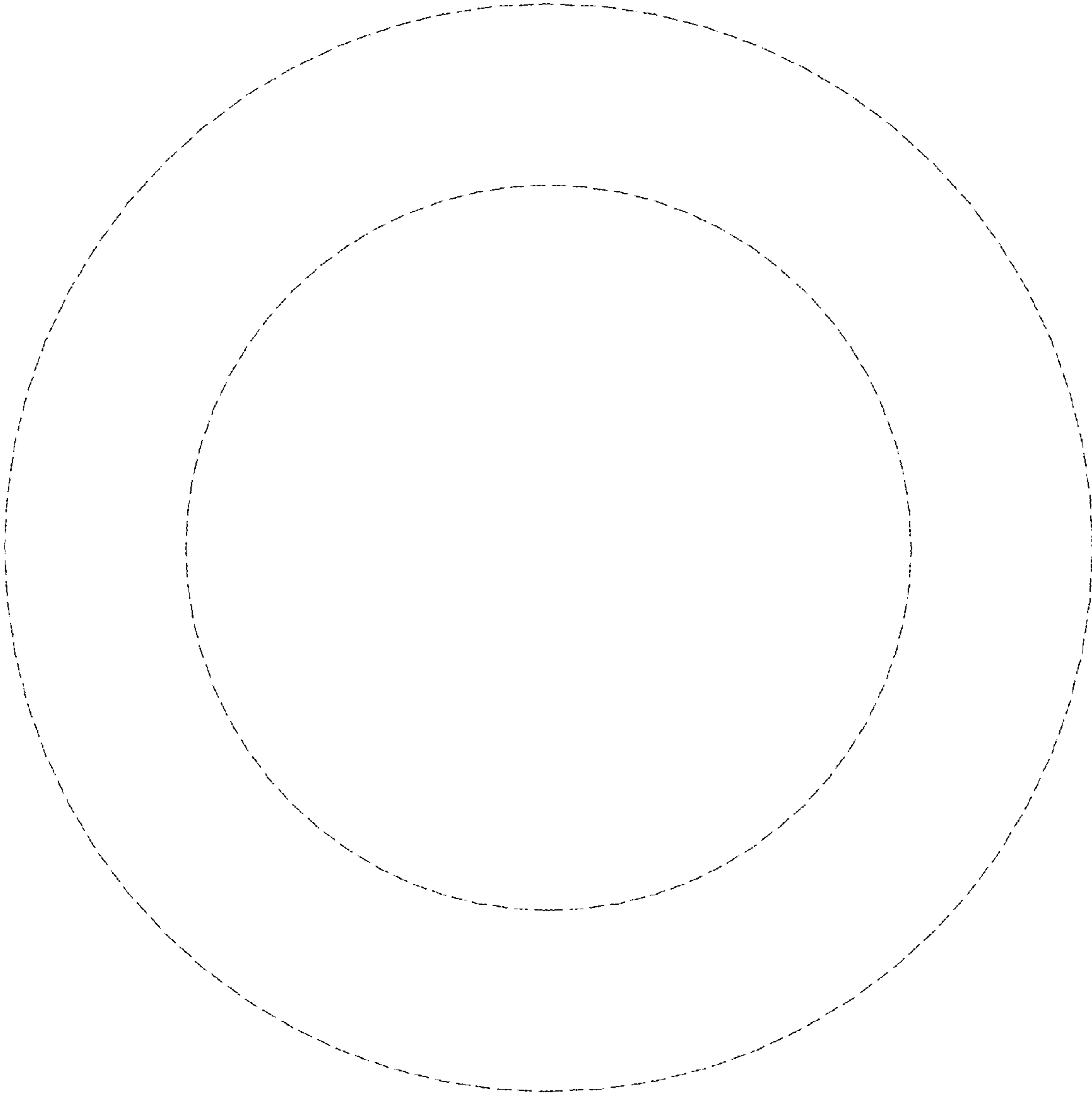


FIG. 3

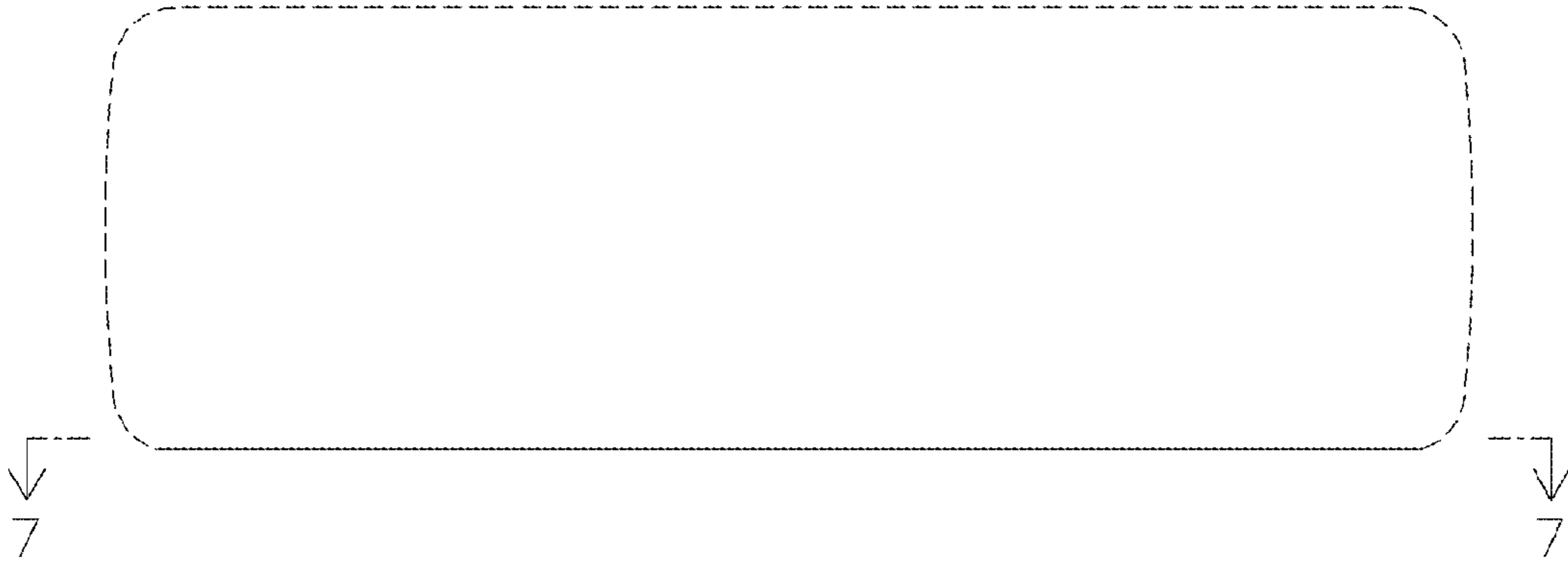


FIG. 4

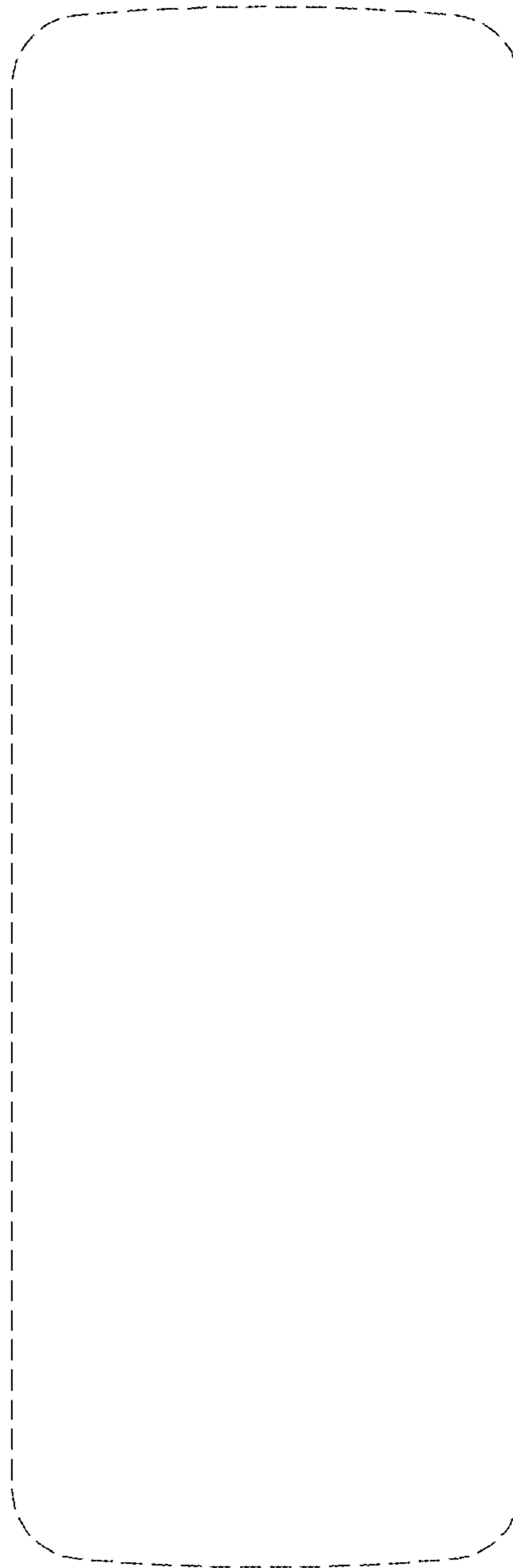


FIG. 5

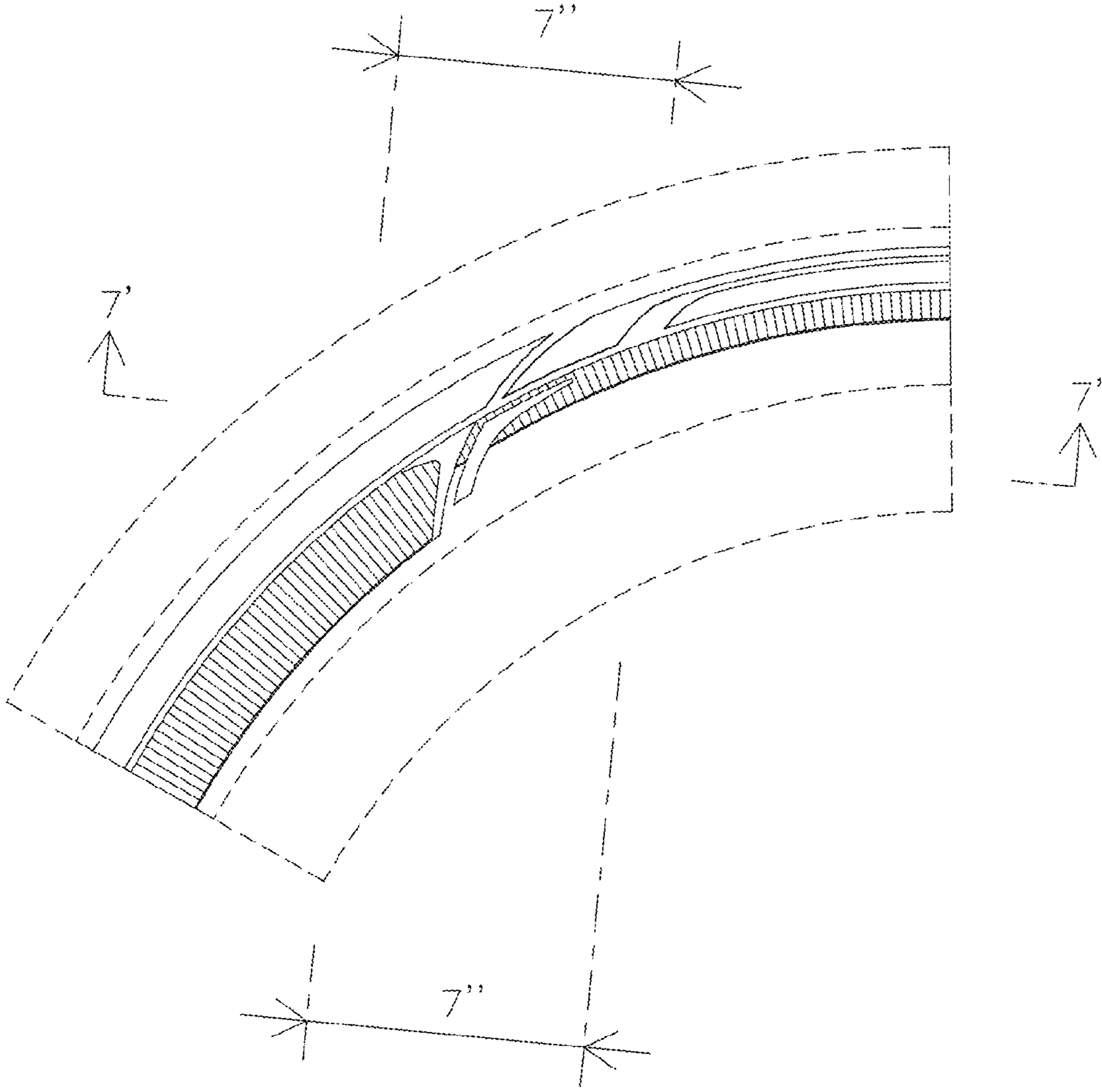


FIG. 6

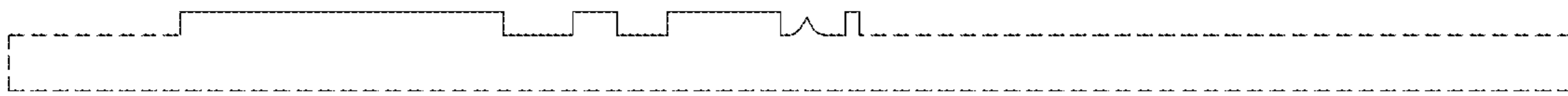


FIG. 7