



US00D681541S

(12) **United States Design Patent**
Kern

(10) **Patent No.:** **US D681,541 S**
(45) **Date of Patent:** **** May 7, 2013**

(54) **FRONT FACE OF A VEHICLE WHEEL**

(71) Applicant: **Vossen Wheels**, Miami, FL (US)

(72) Inventor: **Steven Kern**, Miami Beach, FL (US)

(73) Assignee: **Vossen Wheels**, Miami, FL (US)

(**) Term: **14 Years**

(21) Appl. No.: **29/435,695**

(22) Filed: **Oct. 26, 2012**

(51) **LOC (9) Cl.** **12-16**

(52) **U.S. Cl.**
USPC **D12/211**

(58) **Field of Classification Search** D12/204-213;
301/37.101, 64.101, 65, 64.201
See application file for complete search history.

(56) **References Cited**

U.S. PATENT DOCUMENTS

D549,635 S * 8/2007 Hernandez D12/211
D551,149 S * 9/2007 Elmitt D12/211

D578,948 S * 10/2008 Asada et al. D12/211
D615,917 S * 5/2010 Zhao D12/211
D620,874 S * 8/2010 Zhao D12/211
D633,848 S * 3/2011 Johnson D12/211
D657,728 S * 4/2012 Johnson D12/211

* cited by examiner

Primary Examiner — Stacia Cadmus

(74) *Attorney, Agent, or Firm* — Berenato & White, LLC

(57) **CLAIM**

The ornamental design for a front face of a vehicle wheel, as shown and described.

DESCRIPTION

FIG. 1 is a front view of a front face of a vehicle wheel showing my new design; and,

FIG. 2 is a top and left side perspective view of the wheel shown in FIG. 1.

The broken line showing of the rear of the wheel is included for the purpose of illustrating environment and forms no part of the claimed design.

1 Claim, 2 Drawing Sheets

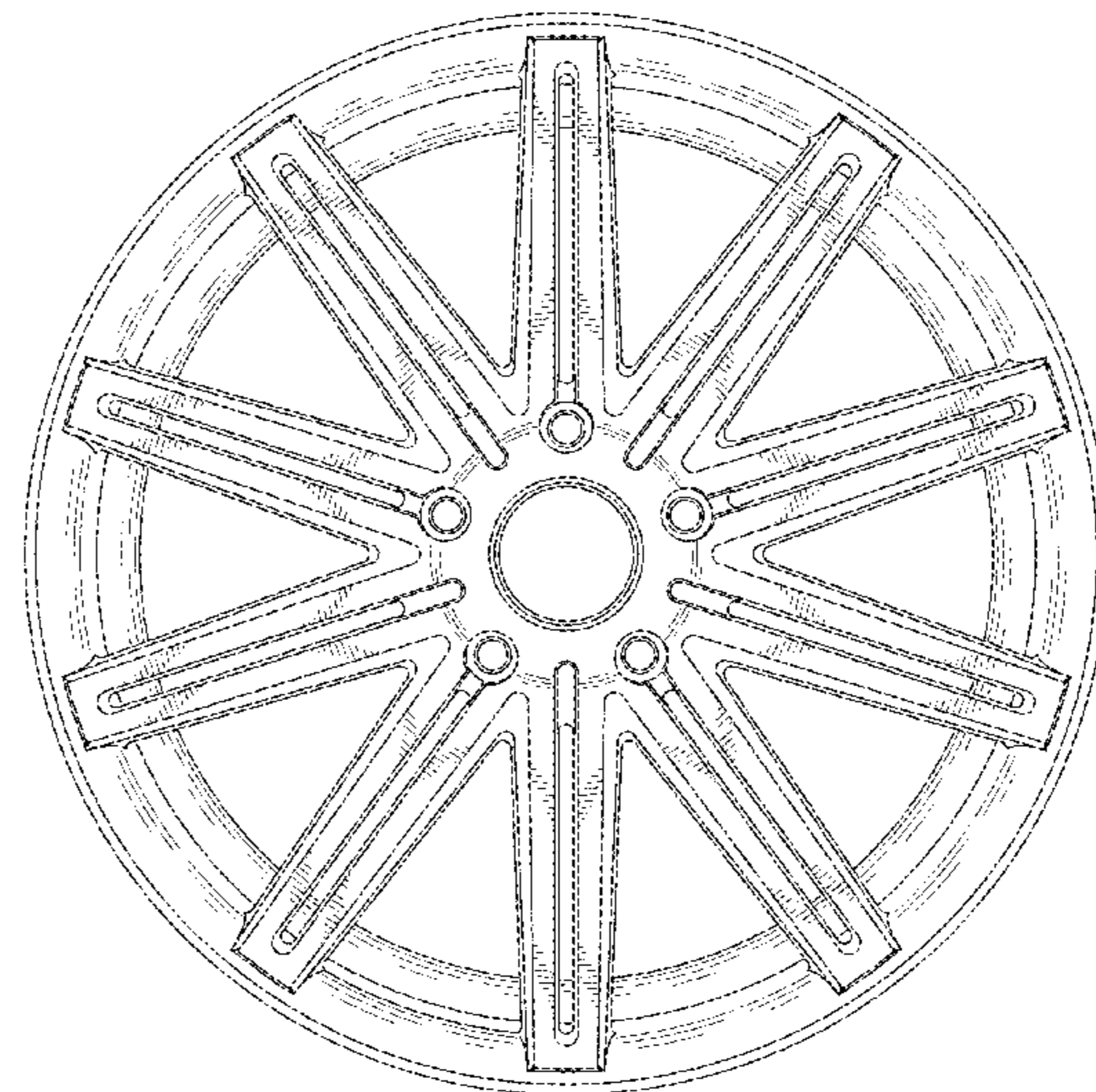
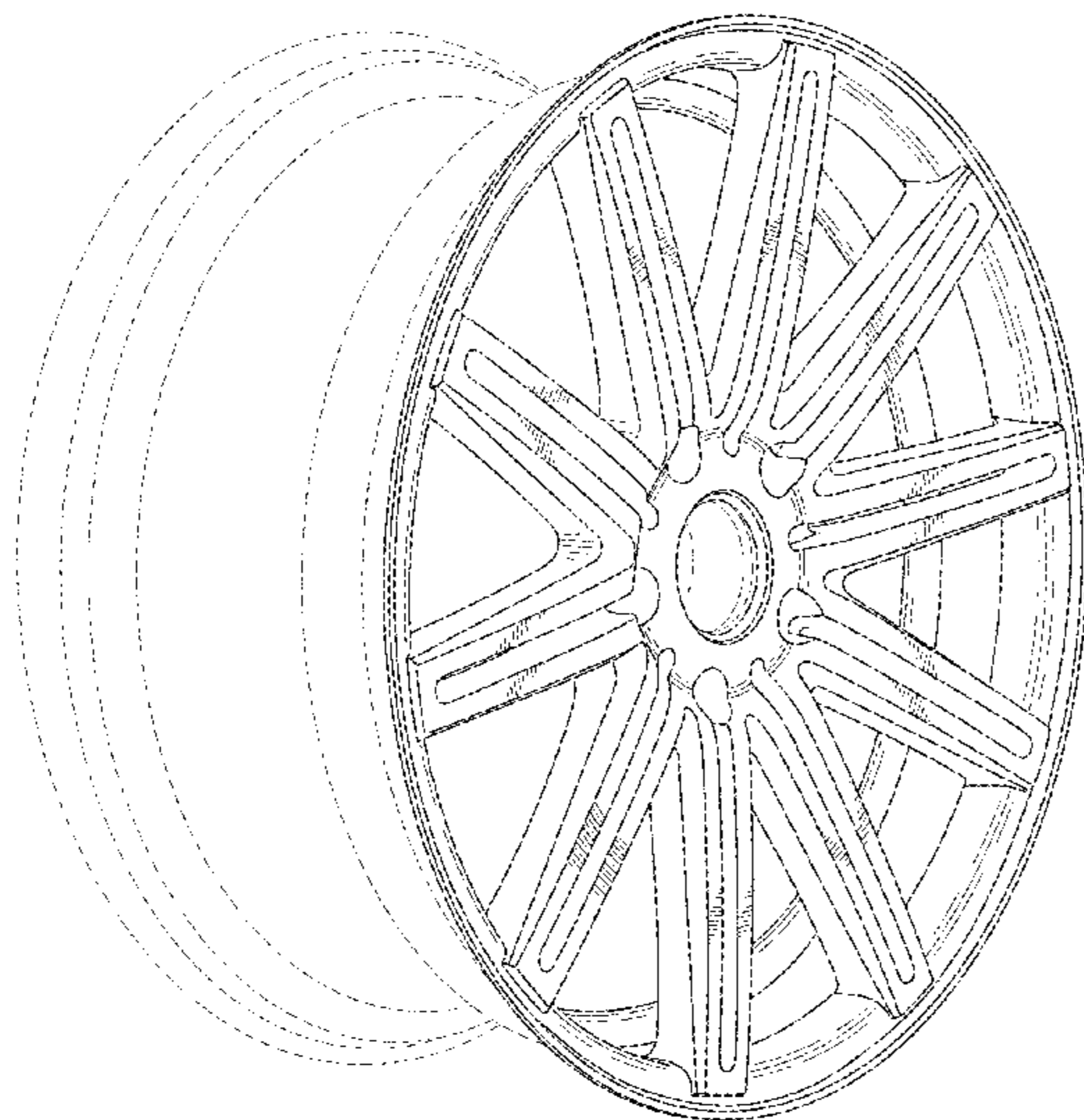


Fig. 1

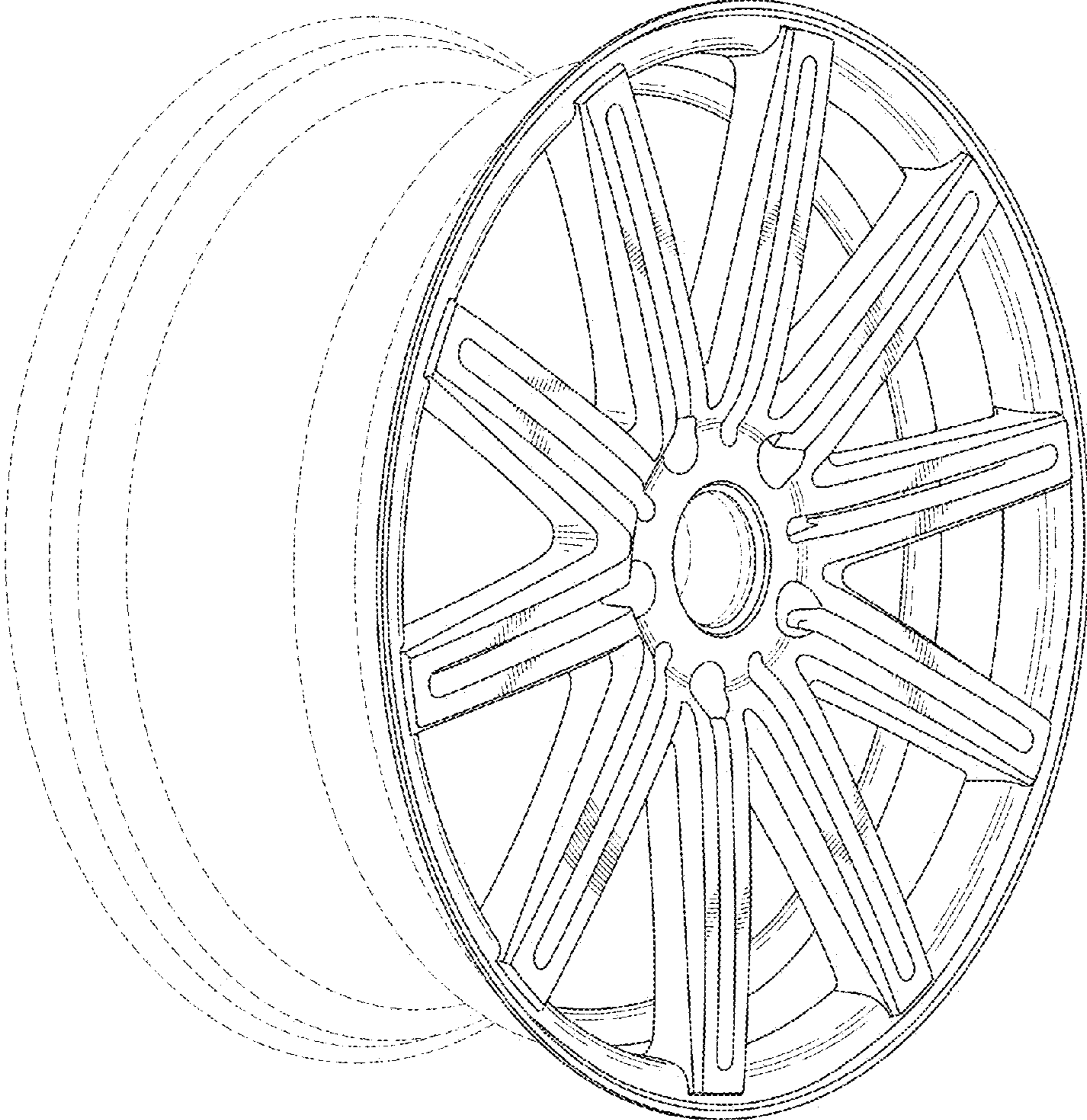


Fig. 2

