



US00D681537S

(12) **United States Design Patent**
Zhao

(10) **Patent No.:** **US D681,537 S**

(45) **Date of Patent:** **** May 7, 2013**

(54) **AUTOMOBILE WHEEL**

(71) Applicant: **Wah Hung International Machinery Inc.**, Monterey Park, CA (US)

(72) Inventor: **John Zhao**, Monterey Park, CA (US)

(73) Assignee: **Wah Hung International Machinery Inc.**, Monterey Park, CA (US)

(**) Term: **14 Years**

(21) Appl. No.: **29/435,008**

(22) Filed: **Oct. 18, 2012**

(51) **LOC (9) Cl.** **12-16**

(52) **U.S. Cl.**
USPC **D12/211**

(58) **Field of Classification Search** D12/204-213;
301/37.101, 64.101, 65, 64.201
See application file for complete search history.

(56) **References Cited**

U.S. PATENT DOCUMENTS

D588,515 S *	3/2009	Lamm et al.	D12/211
D620,425 S *	7/2010	Zhao	D12/211
D623,116 S *	9/2010	Zhao	D12/211

D626,488 S *	11/2010	Yoon	D12/211
D655,231 S *	3/2012	Zhao	D12/209
D655,235 S *	3/2012	Zhao	D12/211
D655,664 S *	3/2012	Zhao	D12/211
D666,959 S *	9/2012	Lucaora	D12/211

* cited by examiner

Primary Examiner — Stacia Cadmus

(74) *Attorney, Agent, or Firm* — Adli Law Group P.C.

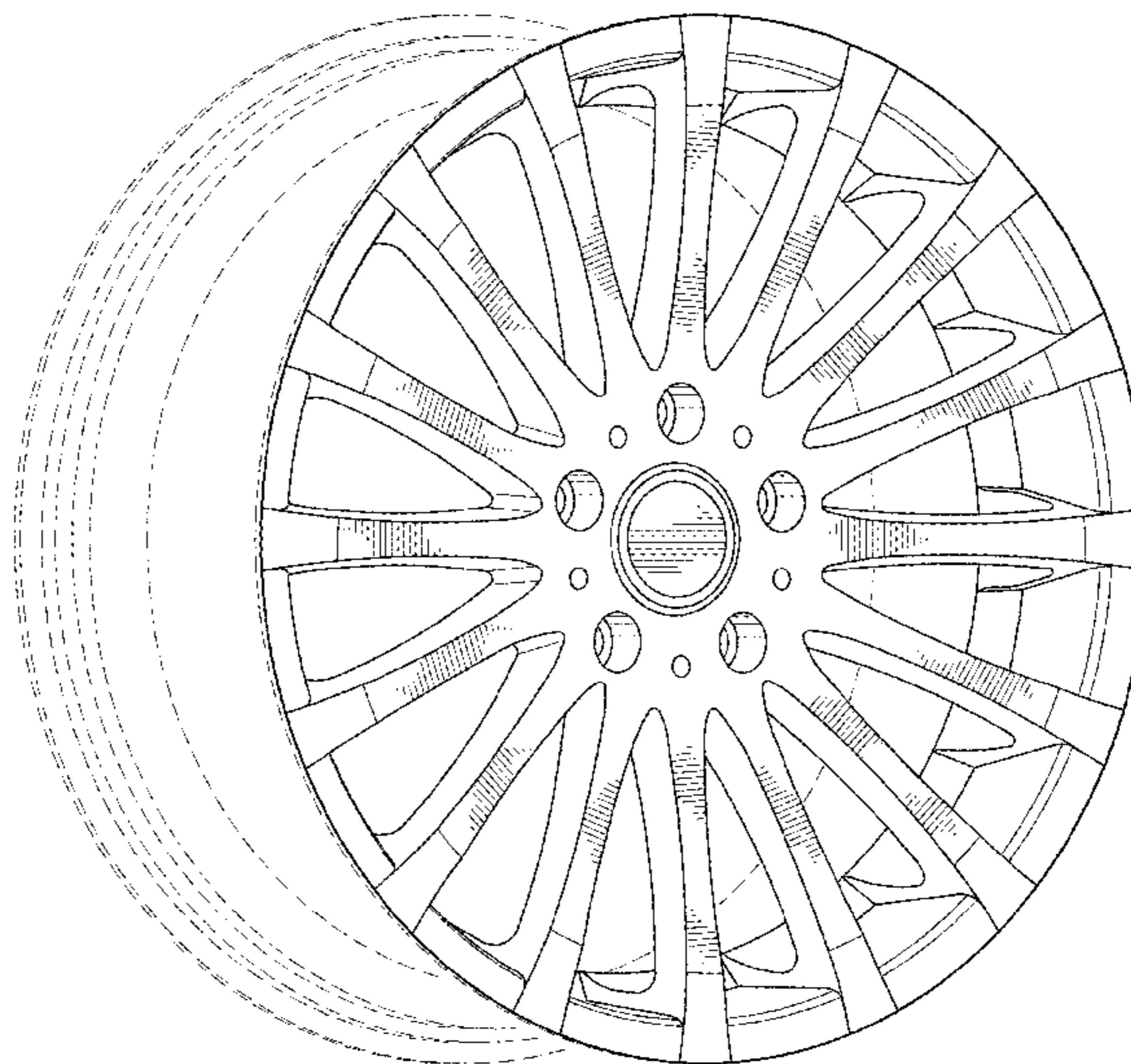
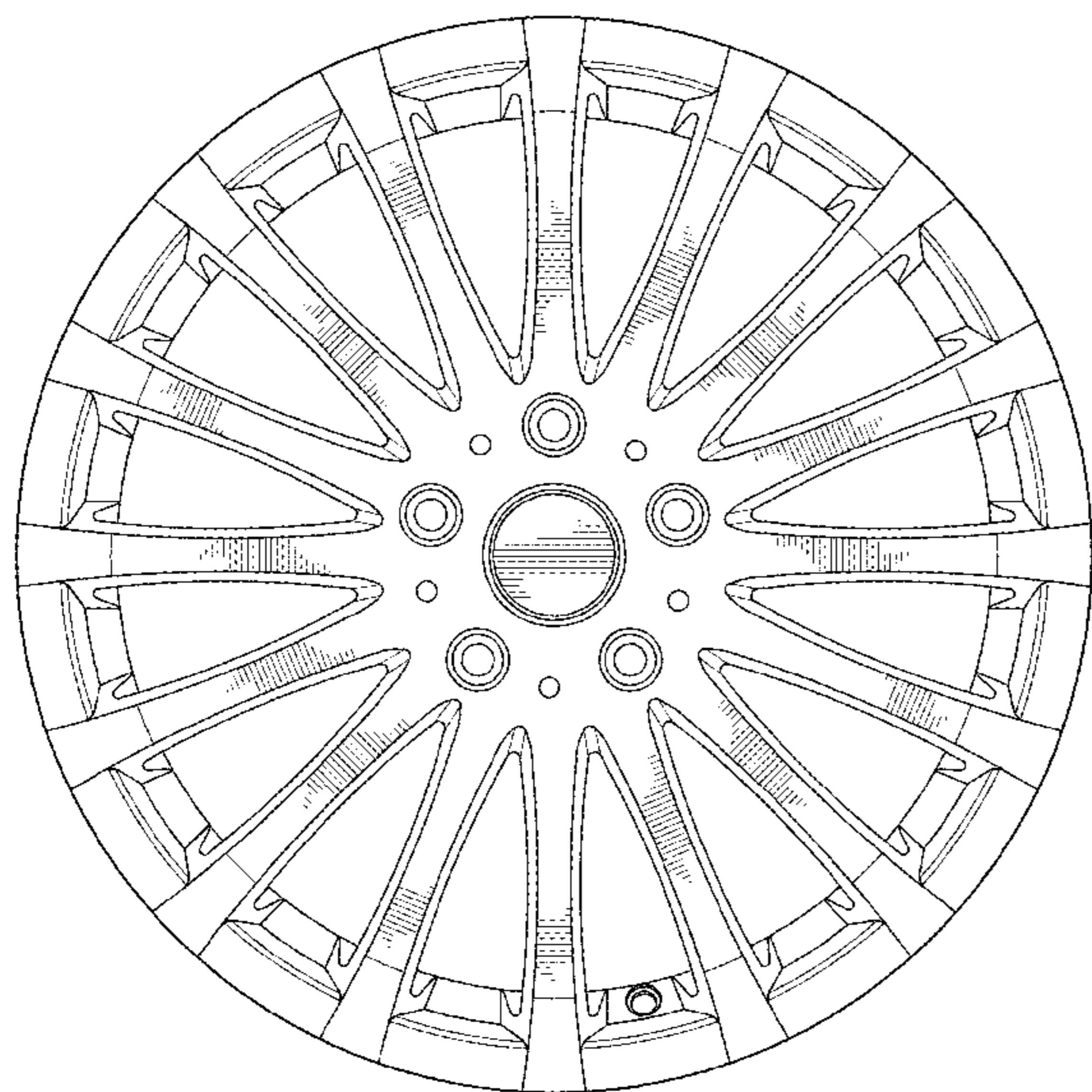
(57) **CLAIM**

The ornamental design for an automobile wheel, as shown and described.

DESCRIPTION

FIG. 1 is a front elevational view of an automobile wheel, showing my new design; and, FIG. 2 is perspective view thereof. The broken line showing of the rear of the rim is included for the purpose of illustrating environment and forms no part of the claimed design.

1 Claim, 2 Drawing Sheets



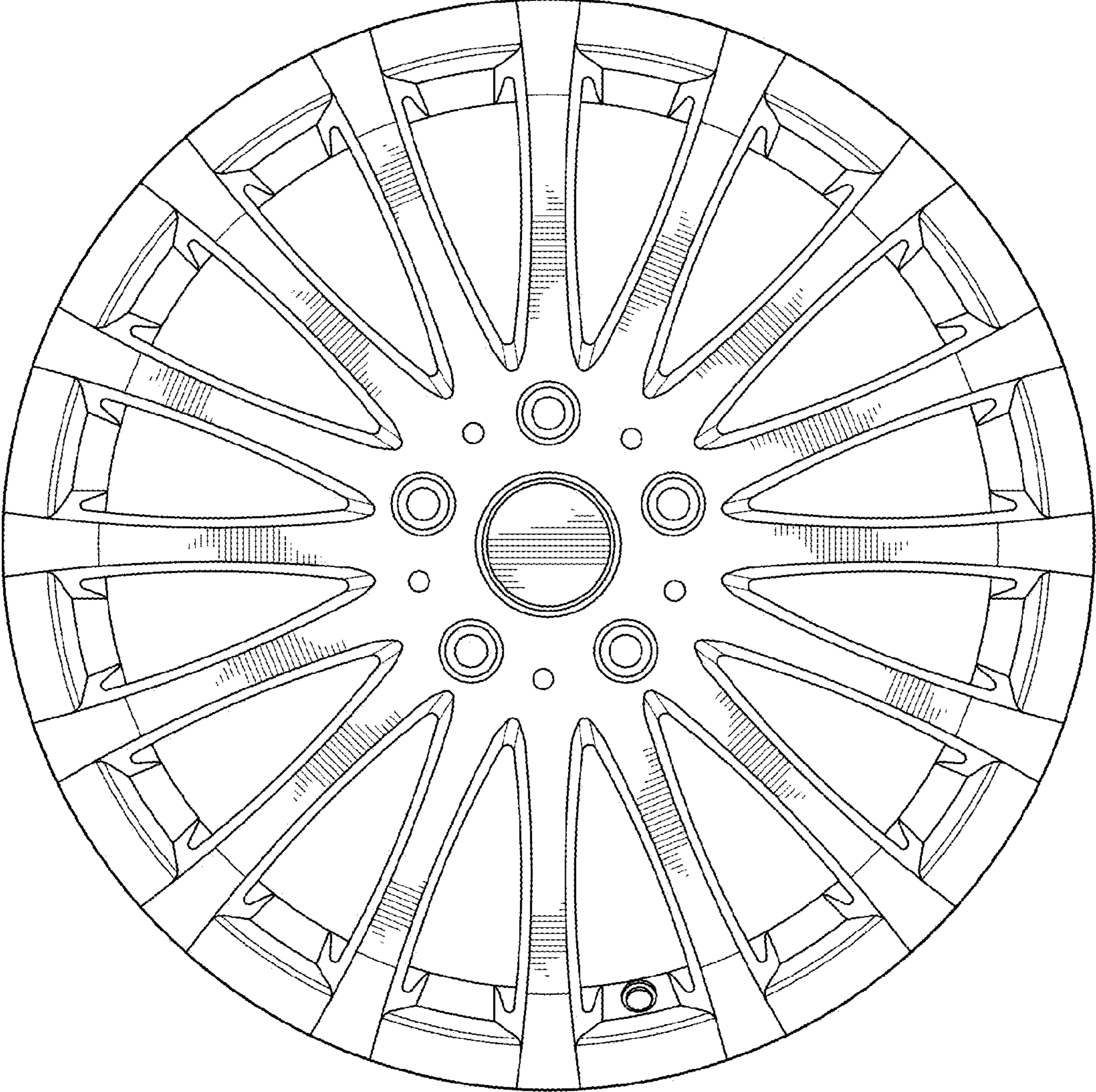


FIG. 1

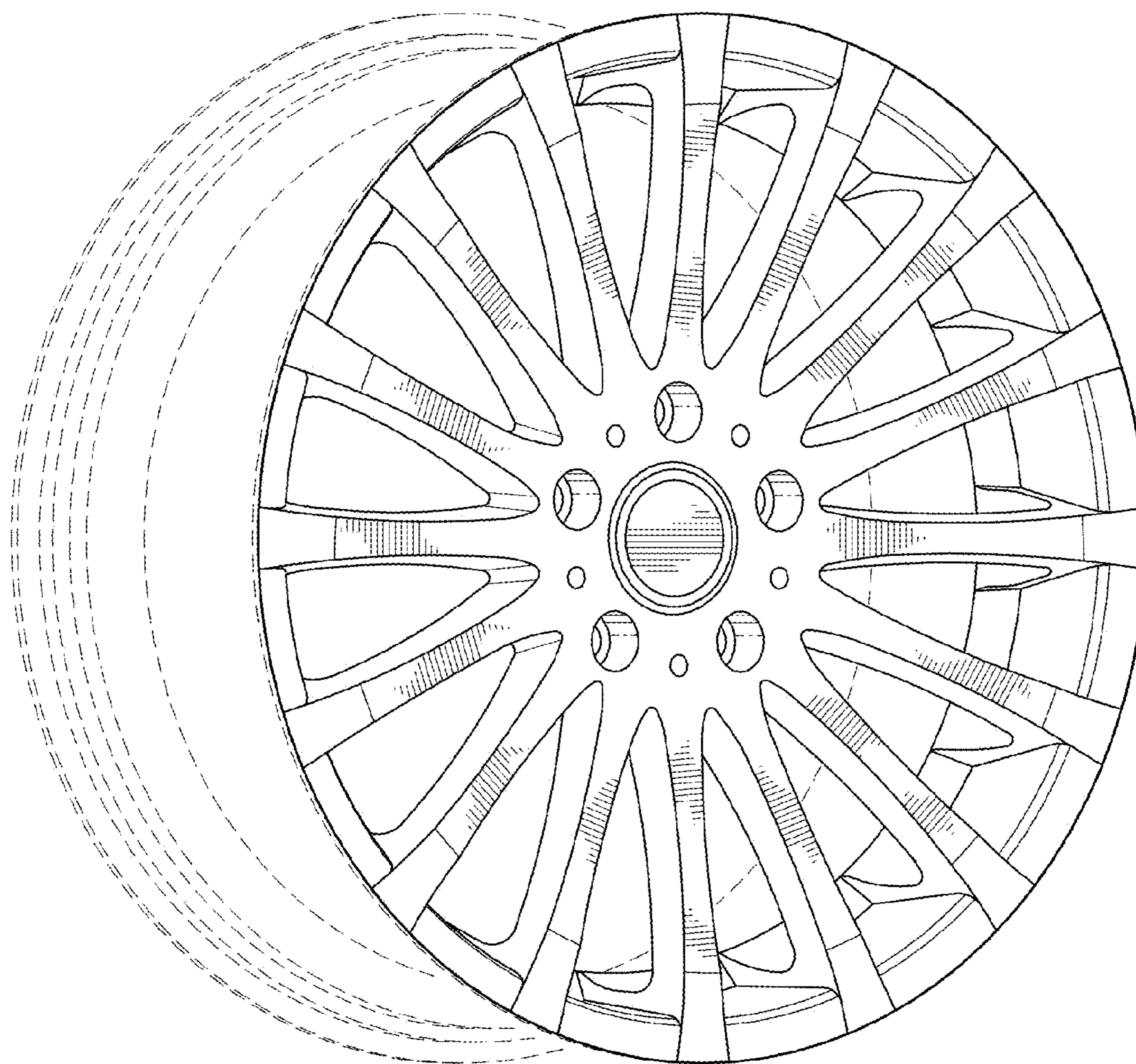


FIG. 2