



US00D681536S

(12) **United States Design Patent**
Zhao

(10) **Patent No.:** **US D681,536 S**
(45) **Date of Patent:** **** May 7, 2013**

(54) **AUTOMOBILE WHEEL**

(71) Applicant: **Wah Hung International Machinery Inc.**, Monterey Park, CA (US)

(72) Inventor: **John Zhao**, Monterey Park, CA (US)

(73) Assignee: **Wah Hung International Machinery Inc.**, Monterey Park, CA (US)

(**) Term: **14 Years**

(21) Appl. No.: **29/434,948**

(22) Filed: **Oct. 18, 2012**

(51) **LOC (9) Cl.** **12-16**

(52) **U.S. Cl.**
USPC **D12/211**

(58) **Field of Classification Search** D12/204-213;
301/37.101, 64.101, 65, 64.201
See application file for complete search history.

(56) **References Cited**

U.S. PATENT DOCUMENTS

D438,503 S * 3/2001 Syring D12/211
D516,990 S * 3/2006 Schweizer D12/211
D548,166 S * 8/2007 Young D12/211

D596,101 S * 7/2009 Tant et al. D12/211
D615,917 S * 5/2010 Zhao D12/211
D621,771 S * 8/2010 Truebsbach D12/211
D643,794 S * 8/2011 Elmitt D12/211
D644,158 S * 8/2011 Nissl D12/211
D657,298 S * 4/2012 Lee D12/211
D657,299 S * 4/2012 Lee D12/211
D659,069 S * 5/2012 Johnson D12/211
D660,771 S * 5/2012 Mueller-Stolz D12/211
D666,548 S * 9/2012 Antoniadis et al. D12/211

* cited by examiner

Primary Examiner — Stacia Cadmus

(74) *Attorney, Agent, or Firm* — Adli Law Group P.C.

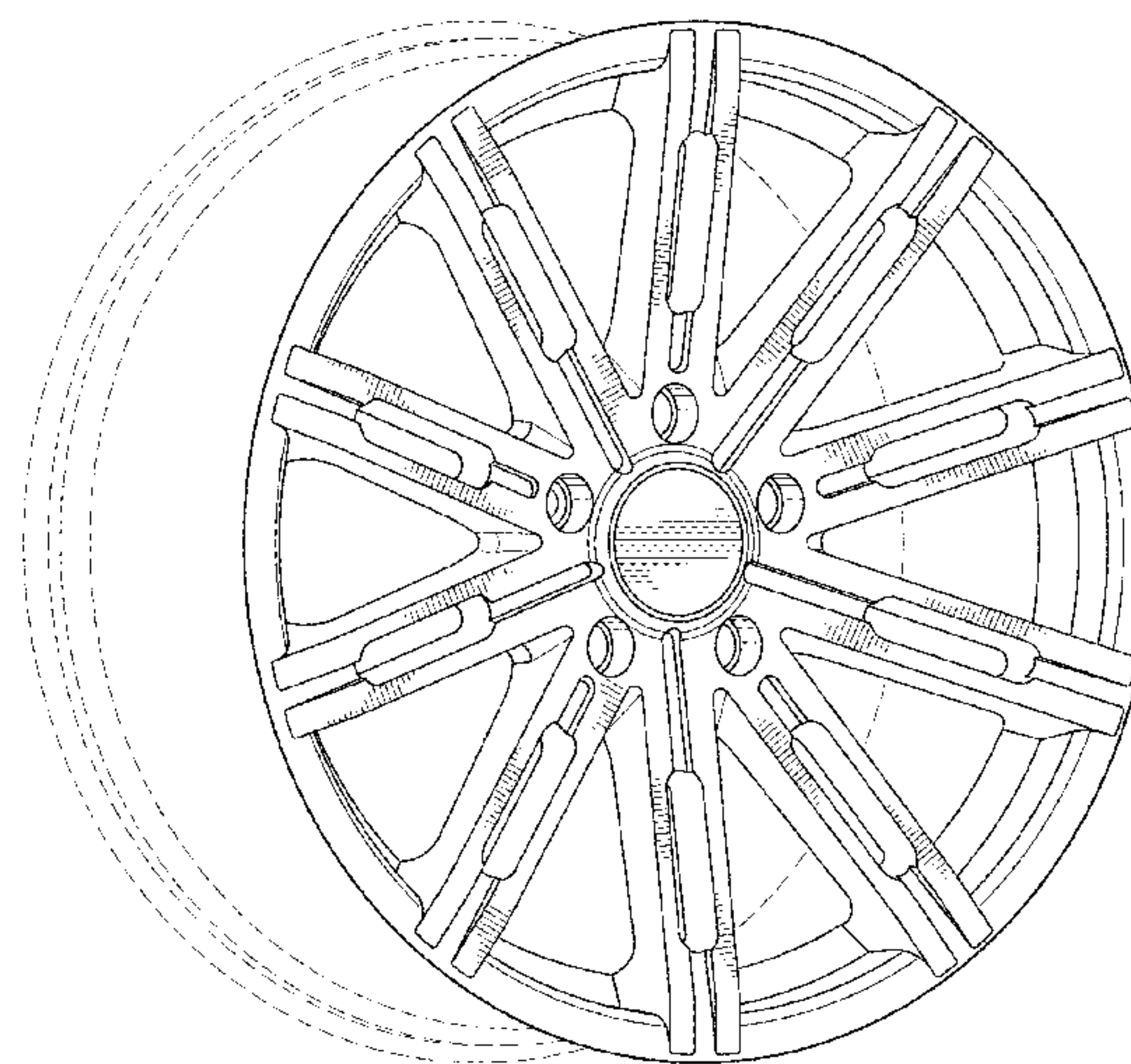
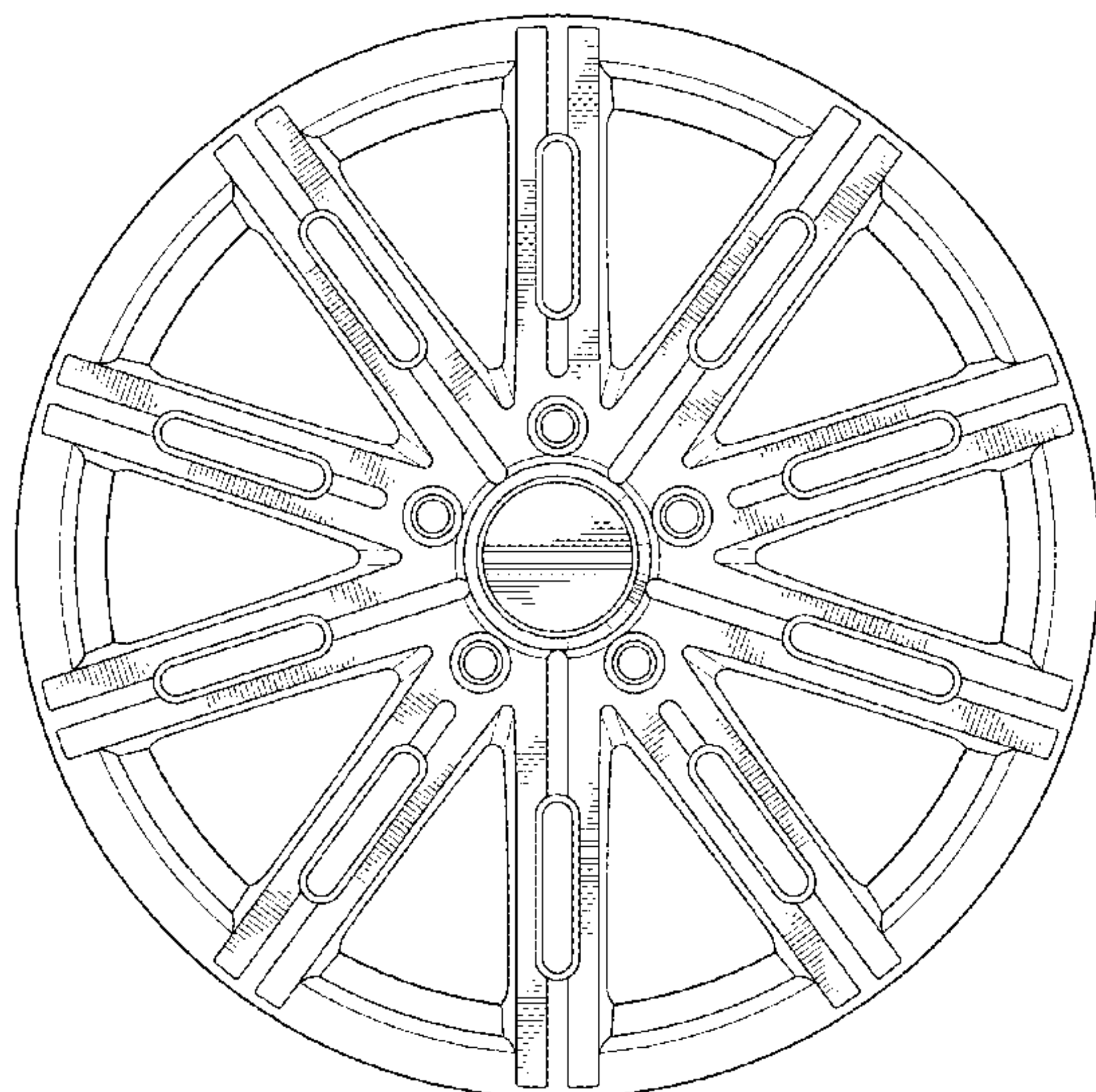
(57) **CLAIM**

The ornamental design for an automobile wheel, as shown and described.

DESCRIPTION

FIG. 1 is a front elevational view of an automobile wheel, showing my new design; and, FIG. 2 is perspective view thereof. The broken line showing of the rear of the rim is included for the purpose of illustrating environment and forms no part of the claimed design.

1 Claim, 2 Drawing Sheets



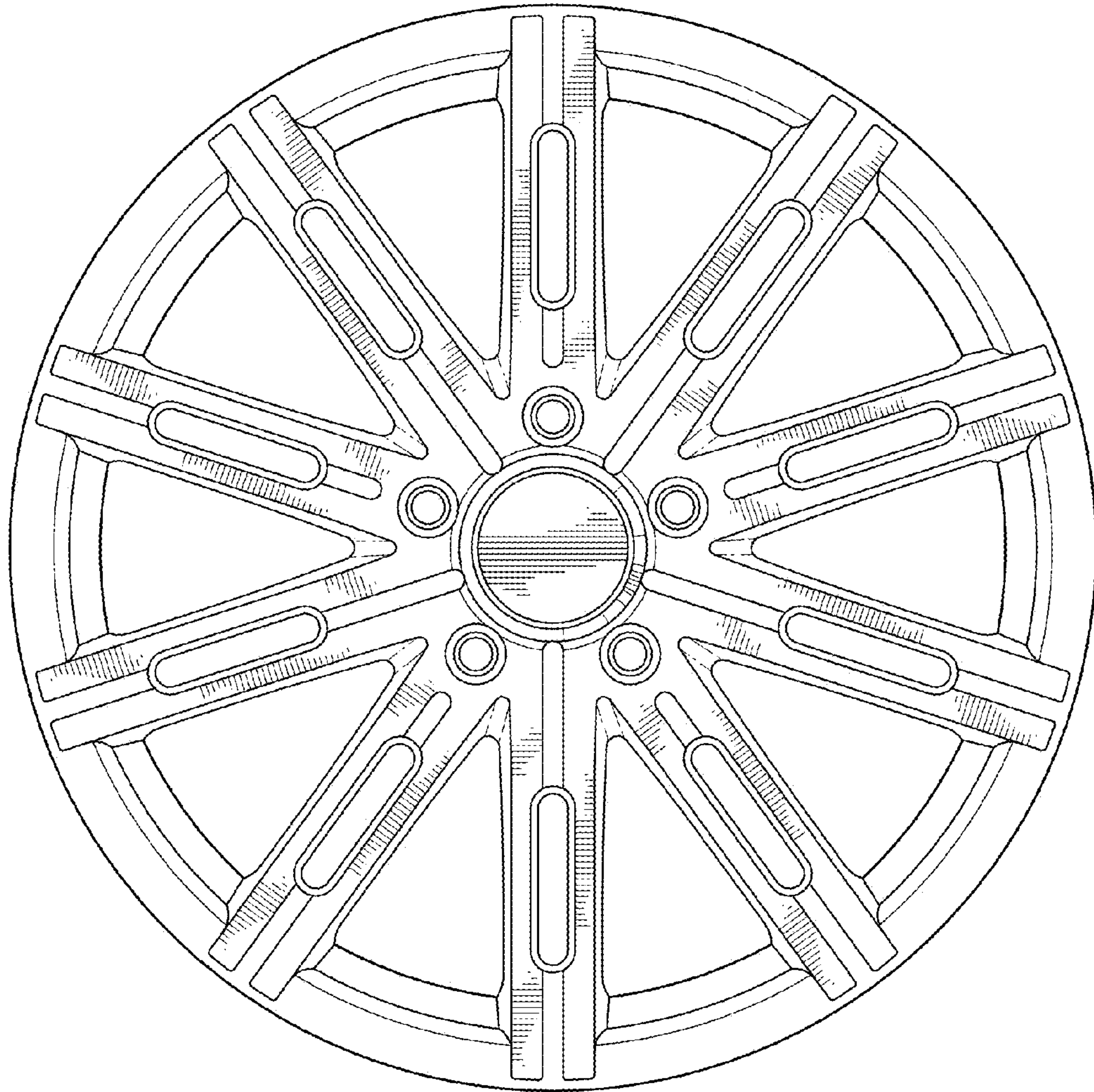


FIG. 1

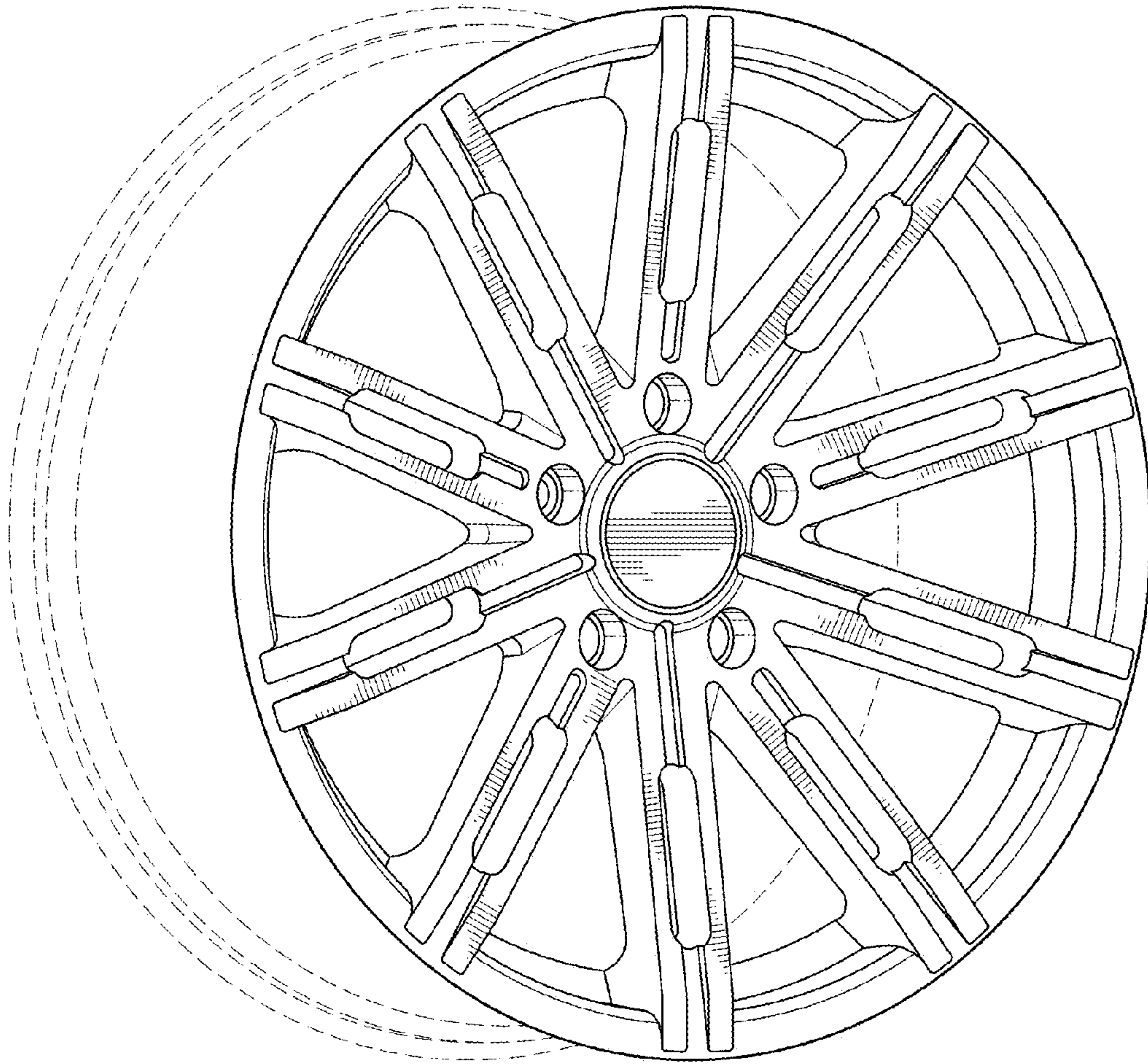


FIG. 2