



US00D681534S

(12) **United States Design Patent**  
**Zhao**

(10) **Patent No.:** **US D681,534 S**

(45) **Date of Patent:** **\*\* May 7, 2013**

(54) **AUTOMOBILE WHEEL**

(71) Applicant: **Wah Hung International Machinery Inc.**, Monterey Park, CA (US)

(72) Inventor: **John Zhao**, Monterey Park, CA (US)

(73) Assignee: **Wah Hung International Machinery Inc.**, Monterey Park, CA (US)

(\*\*) Term: **14 Years**

(21) Appl. No.: **29/434,932**

(22) Filed: **Oct. 18, 2012**

(51) **LOC (9) Cl.** ..... **12-16**

(52) **U.S. Cl.**  
USPC ..... **D12/211**

(58) **Field of Classification Search** ..... D12/204-213;  
301/37.101, 64.101, 65, 64.201  
See application file for complete search history.

(56) **References Cited**

**U.S. PATENT DOCUMENTS**

D553,063 S \* 10/2007 Pugh ..... D12/209  
D579,845 S \* 11/2008 Chung ..... D12/209

D583,291 S \* 12/2008 Treadway ..... D12/211  
D620,863 S \* 8/2010 Groom ..... D12/209  
D629,347 S \* 12/2010 Kim ..... D12/211  
D638,763 S \* 5/2011 Chung ..... D12/209  
D639,222 S \* 6/2011 Johnson ..... D12/209  
D659,067 S \* 5/2012 Lee ..... D12/209  
D666,955 S \* 9/2012 Chung ..... D12/209  
D669,009 S \* 10/2012 Chung ..... D12/211

\* cited by examiner

*Primary Examiner* — Stacia Cadmus

(74) *Attorney, Agent, or Firm* — Adli Law Group P.C.

(57) **CLAIM**

The ornamental design for an automobile wheel, as shown and described.

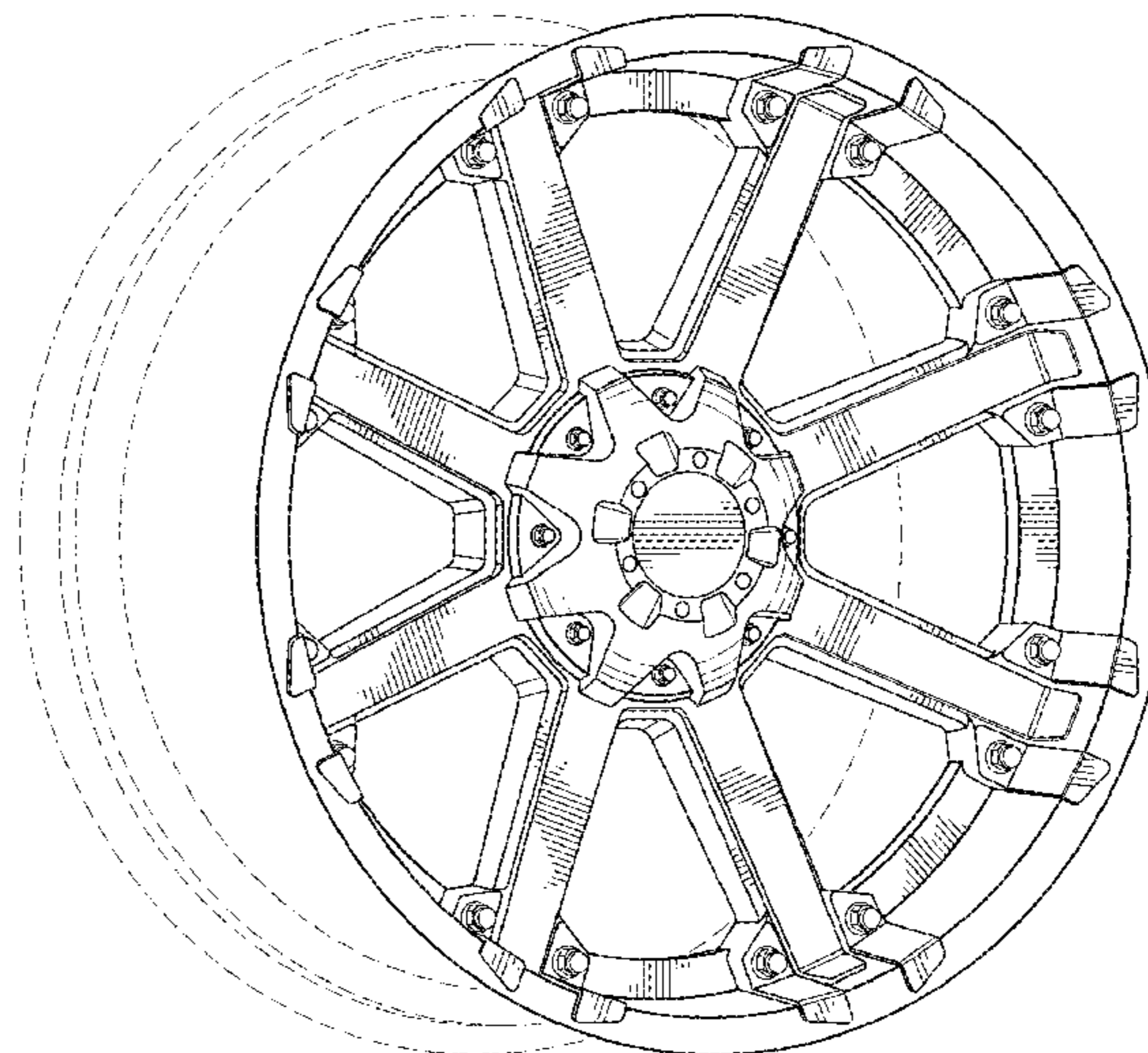
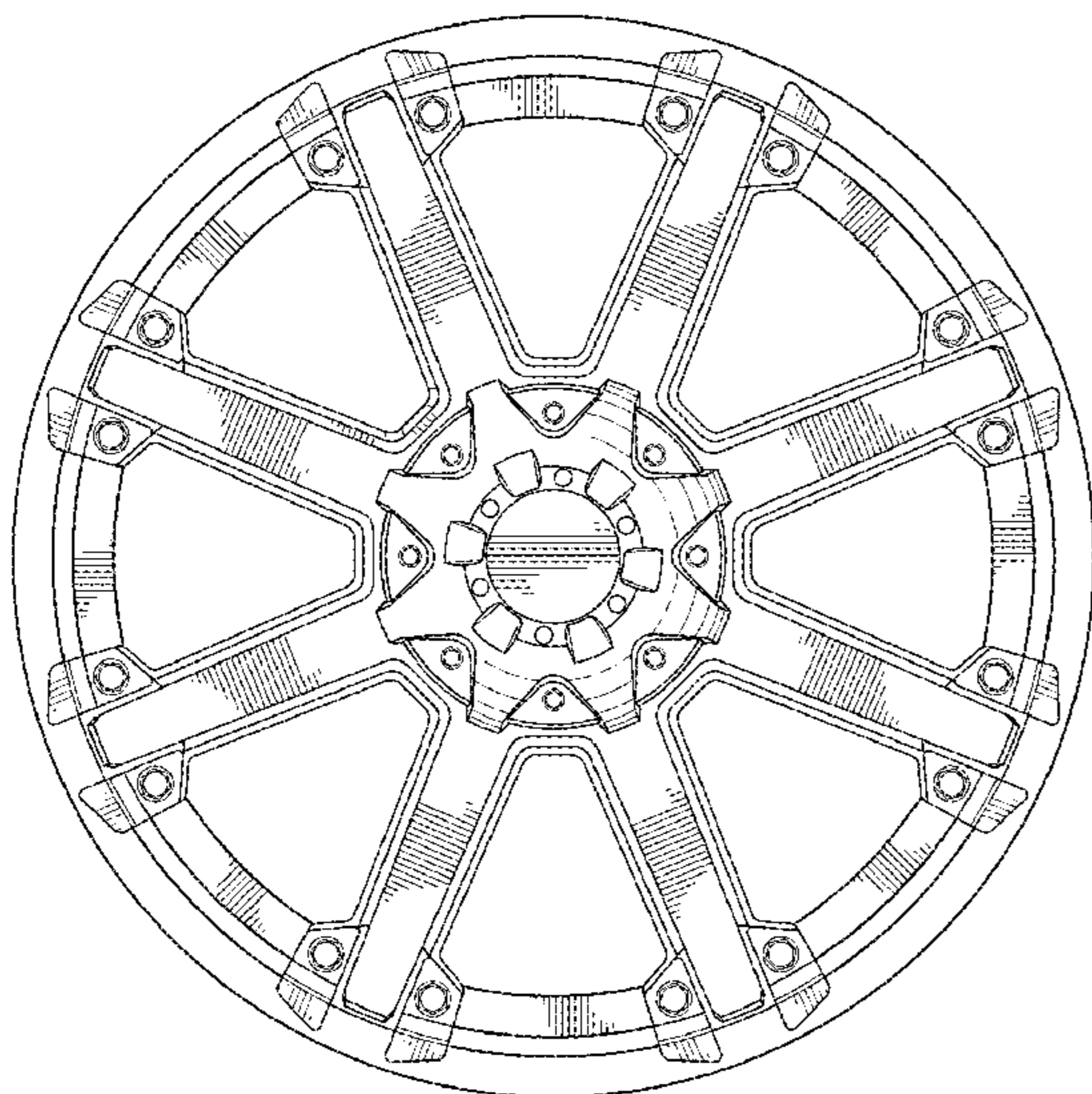
**DESCRIPTION**

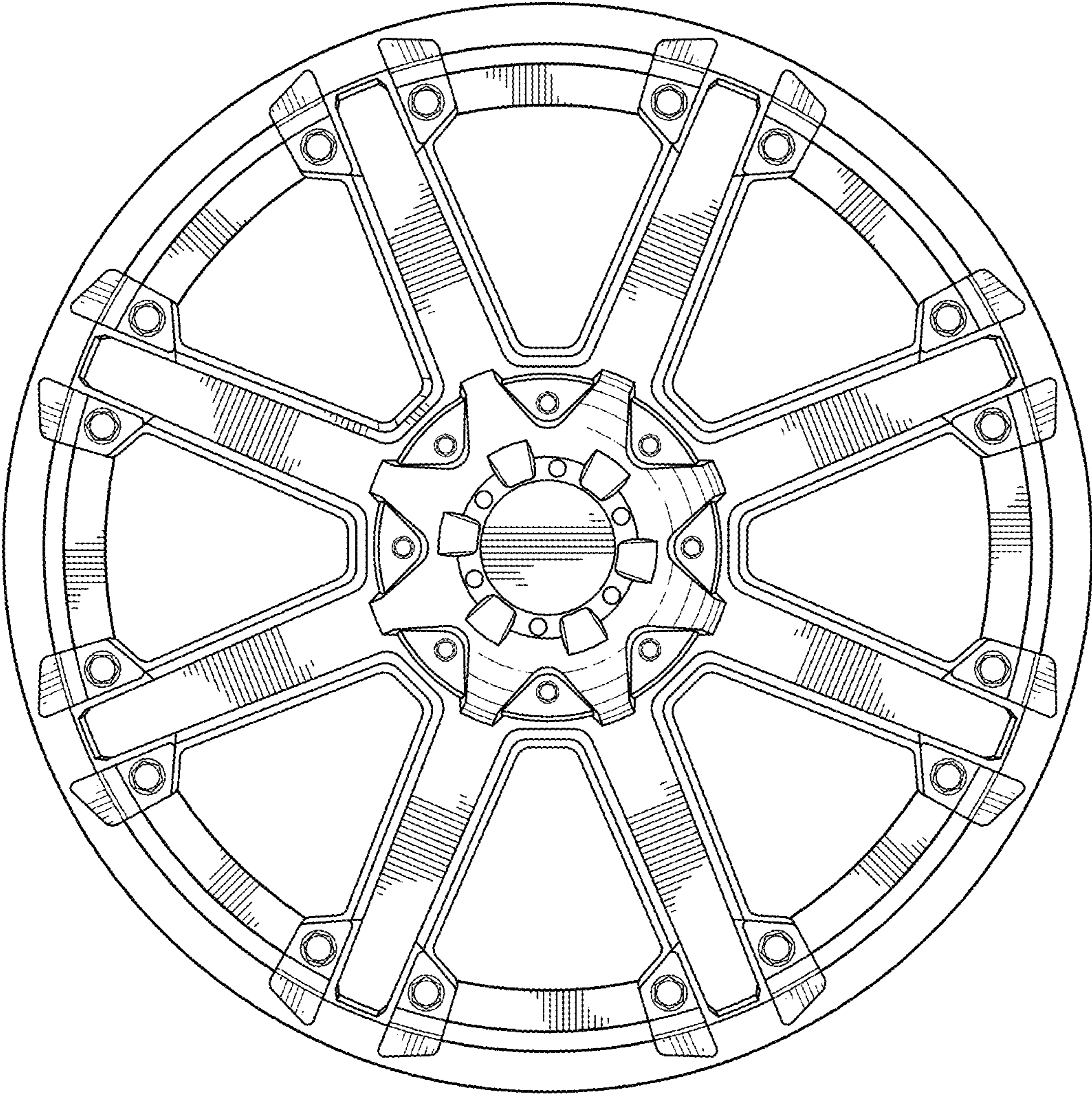
FIG. 1 is a front elevational view of an automobile wheel, showing my new design; and,

FIG. 2 is perspective view thereof.

The broken line showing of the rear of the rim is included for the purpose of illustrating environment and forms no part of the claimed design.

**1 Claim, 2 Drawing Sheets**





*FIG. 1*

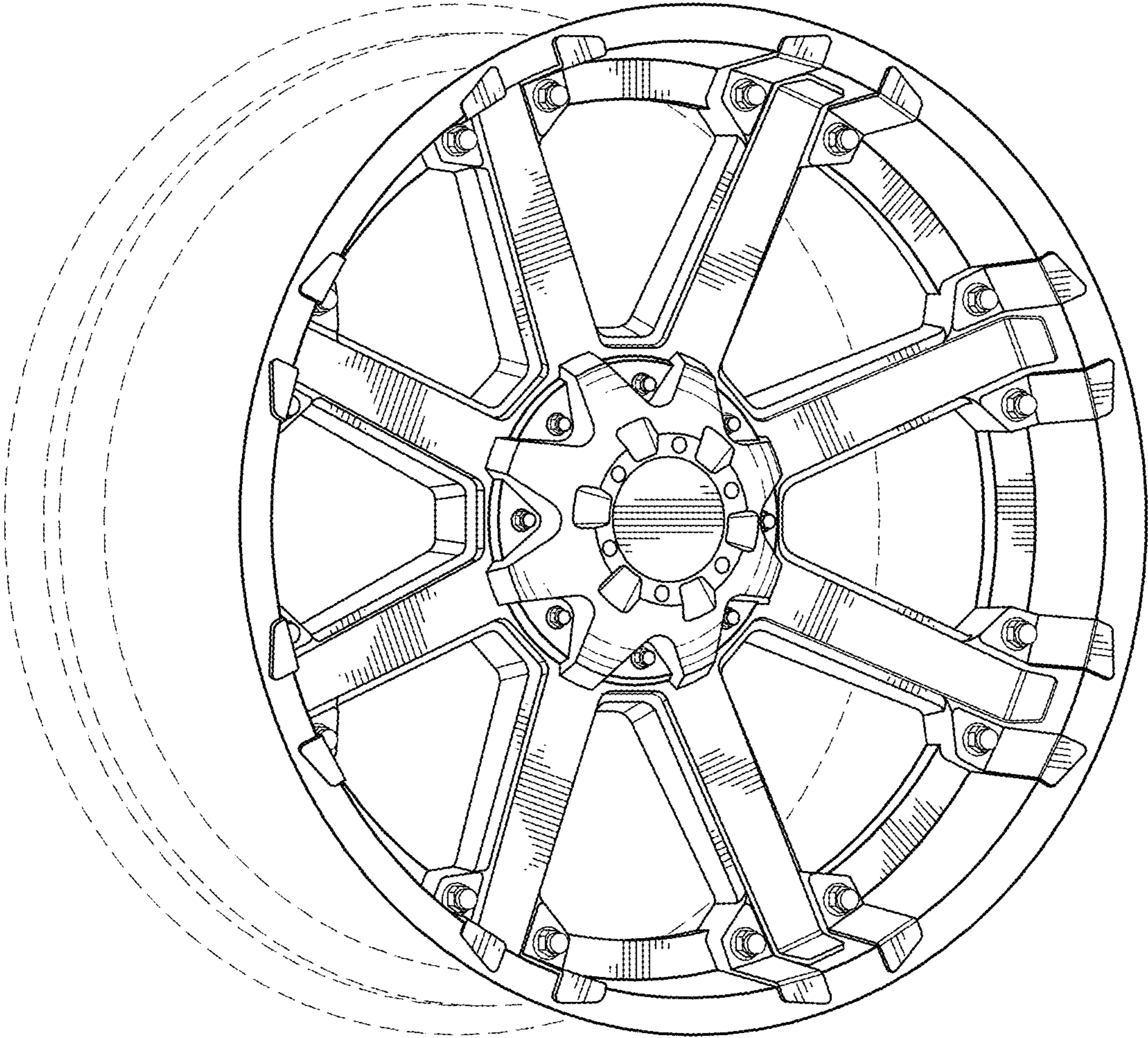


FIG. 2