



US00D681532S

(12) **United States Design Patent**
Zhao

(10) **Patent No.:** **US D681,532 S**

(45) **Date of Patent:** **** May 7, 2013**

(54) **AUTOMOBILE WHEEL**

(71) Applicant: **Tyfun International Inc.**, Baldwin Park, CA (US)

(72) Inventor: **John Zhao**, Monterey Park, CA (US)

(73) Assignee: **Wah Hung International Machinery Inc.**, Monterey Park, CA (US)

(**) Term: **14 Years**

(21) Appl. No.: **29/434,930**

(22) Filed: **Oct. 18, 2012**

(51) **LOC (9) Cl.** **12-16**

(52) **U.S. Cl.**
USPC **D12/209**

(58) **Field of Classification Search** D12/204-213;
301/37.101, 64.101, 65, 64.201
See application file for complete search history.

(56) **References Cited**

U.S. PATENT DOCUMENTS

D442,531 S * 5/2001 Brintouch D12/204
D497,584 S * 10/2004 Smith et al. D12/209

D498,449 S * 11/2004 Smith et al. D12/209
D504,379 S * 4/2005 Kern D12/209
D616,800 S * 6/2010 Zhao D12/209
D618,154 S * 6/2010 Zhao D12/209
D618,606 S * 6/2010 Zhao D12/209
D625,242 S * 10/2010 Zhao D12/211
D652,362 S * 1/2012 Lucaora D12/209
D661,238 S * 6/2012 Chan D12/209

* cited by examiner

Primary Examiner — Stacia Cadmus

(74) *Attorney, Agent, or Firm* — Adli Law Group P.C.

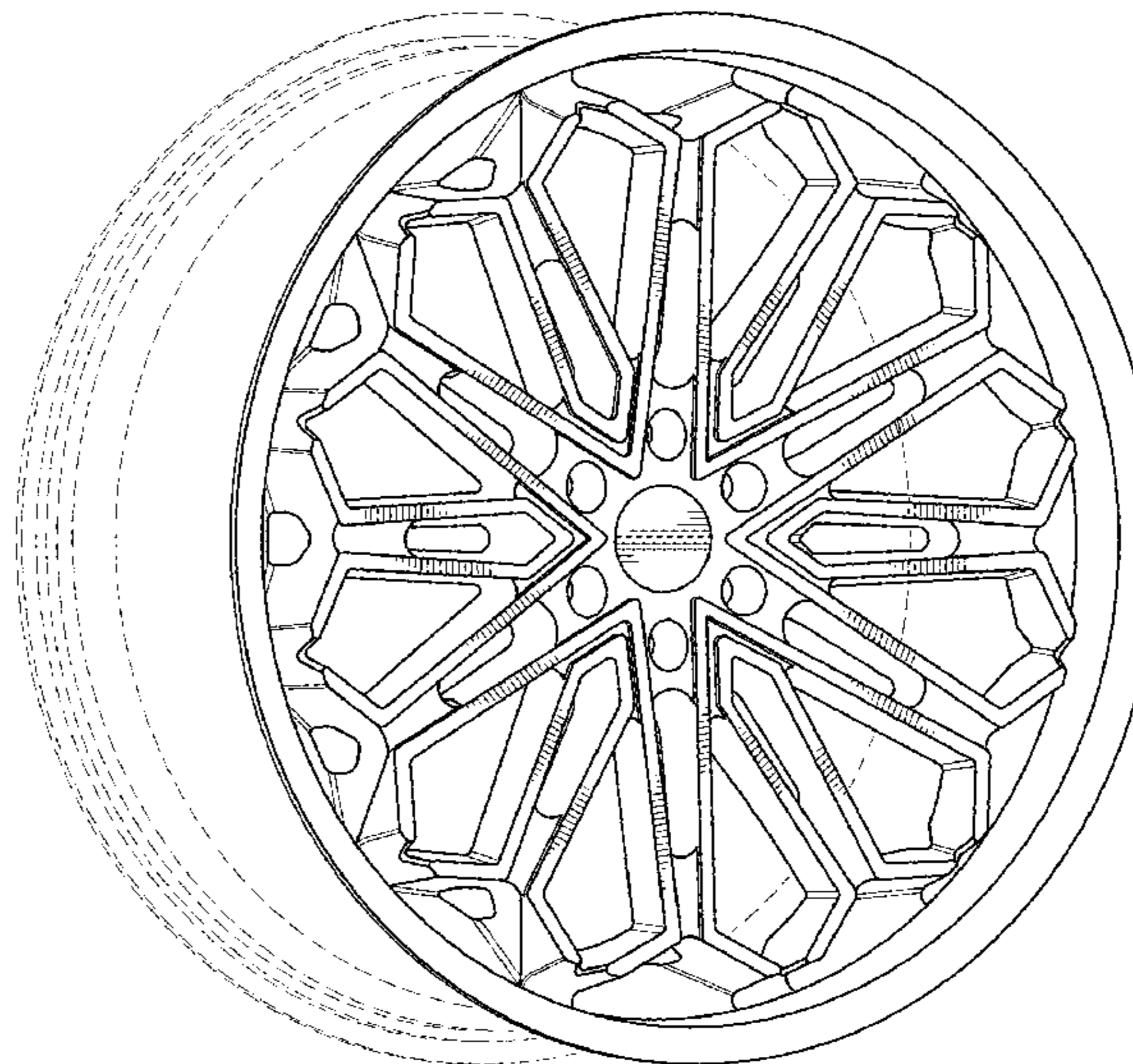
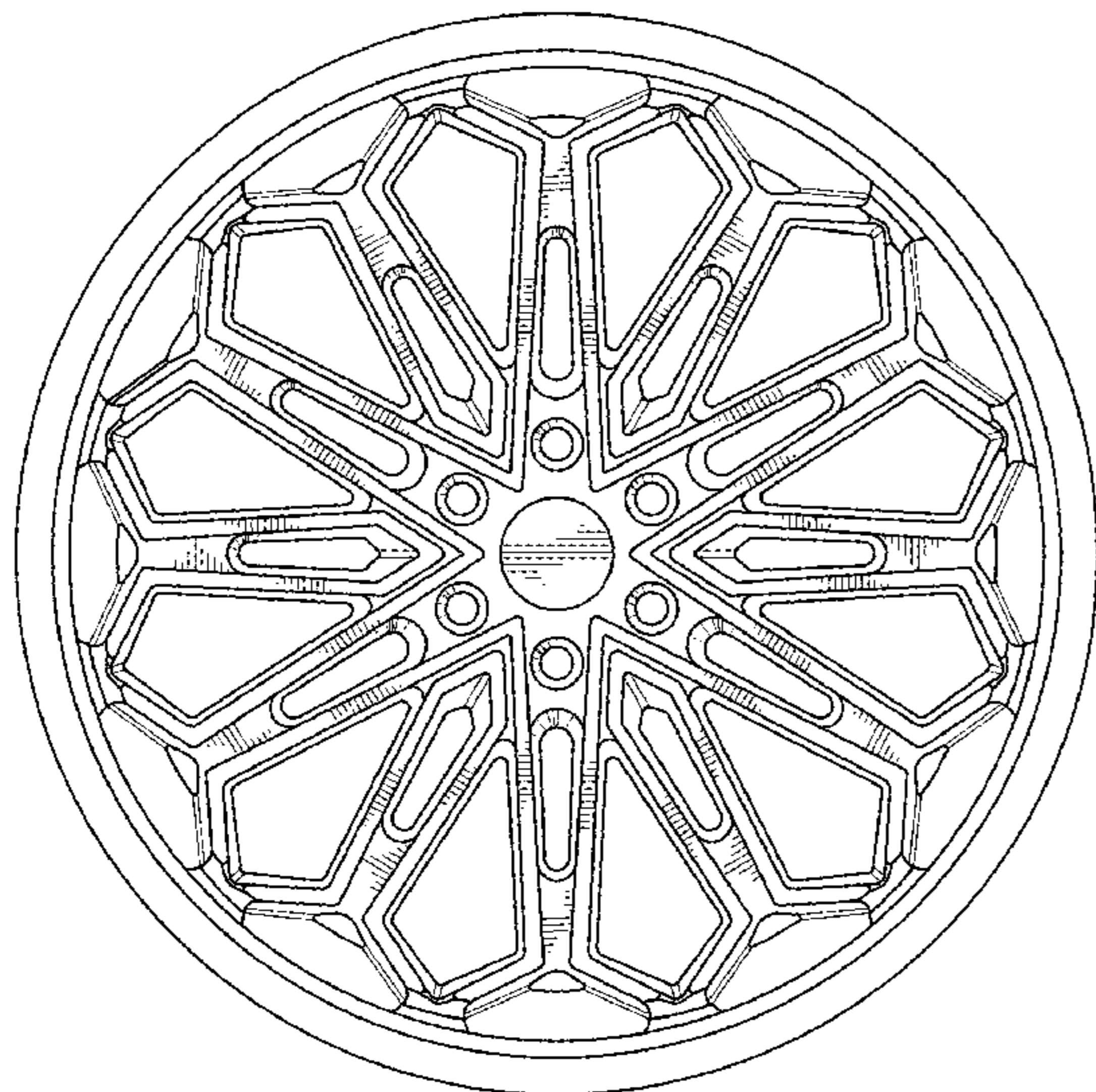
(57) **CLAIM**

The ornamental design for an automobile wheel, as shown and described.

DESCRIPTION

FIG. 1 is a front elevational view of an automobile wheel, showing my new design; and, FIG. 2 is perspective view thereof. The broken line showing of the rear of the rim is included for the purpose of illustrating environment and forms no part of the claimed design.

1 Claim, 2 Drawing Sheets



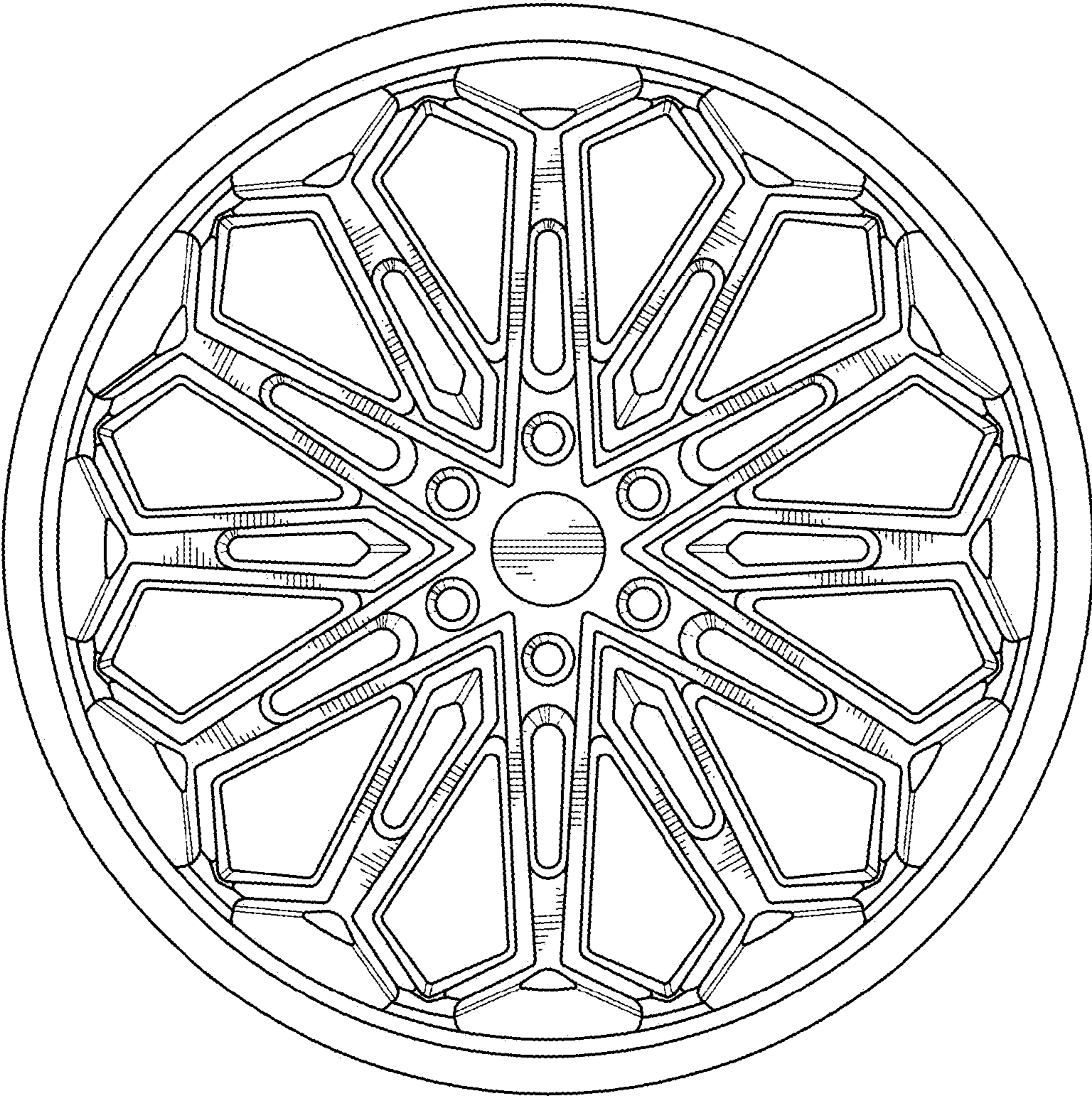


FIG. 1

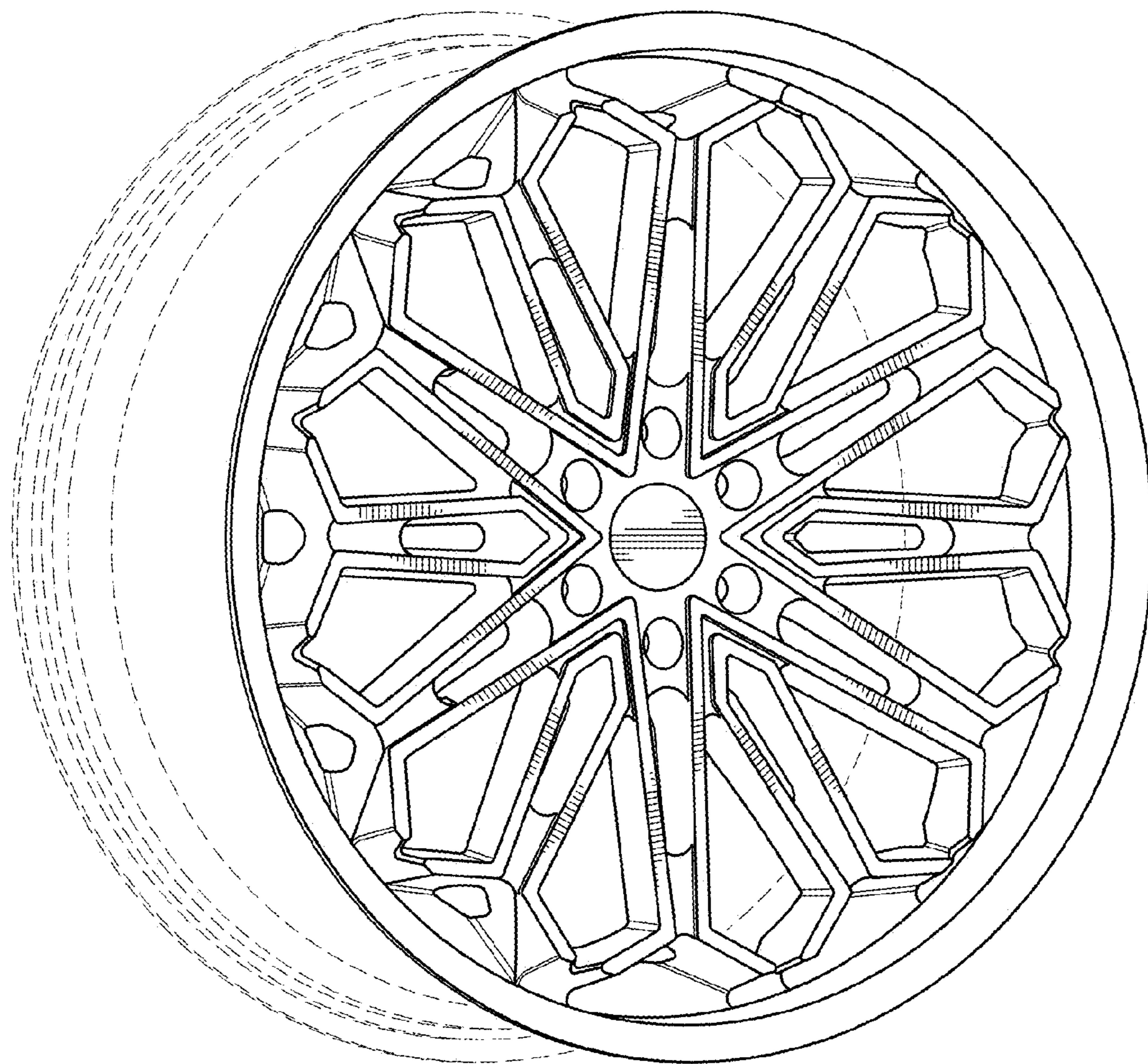


FIG. 2