



US00D681531S

(12) **United States Design Patent**
Fetherston et al.

(10) **Patent No.:** **US D681,531 S**

(45) **Date of Patent:** **** May 7, 2013**

(54) **WHEEL OR WHEEL COVER**

(75) Inventors: **Mark Fetherston**, Stuttgart (DE); **Klaus Frenzel**, Stuttgart (DE); **Hans-Dieter Futschik**, Stuttgart (DE); **Gorden Wagener**, Stuttgart (DE); **Fan Zhang**, Stuttgart (DE)

(73) Assignee: **Daimler AG**, Stuttgart (DE)

(**) Term: **14 Years**

(21) Appl. No.: **29/386,420**

(22) Filed: **Mar. 1, 2011**

(30) **Foreign Application Priority Data**

Sep. 2, 2010 (EM) 001749953-0001

(51) **LOC (9) Cl.** **12-16**

(52) **U.S. Cl.**
USPC **D12/209**

(58) **Field of Classification Search** D12/204-213;
301/37.101, 64.101, 65, 64.201
See application file for complete search history.

(56) **References Cited**

U.S. PATENT DOCUMENTS

D415,991 S	*	11/1999	Wang	D12/211
D450,288 S	*	11/2001	Lee	D12/209
D581,337 S	*	11/2008	Juergens et al.	D12/209
D617,717 S	*	6/2010	Nordmann	D12/211
D619,951 S	*	7/2010	Baum	D12/209

D631,812 S	*	2/2011	Juergens et al.	D12/209
D635,077 S	*	3/2011	Nordmann	D12/209
D655,657 S	*	3/2012	Juergens et al.	D12/209
D664,488 S	*	7/2012	Guille	D12/209
D664,908 S	*	8/2012	Kim	D12/209
D669,833 S	*	10/2012	Pollmann	D12/209
D671,060 S	*	11/2012	Baum	D12/209
D671,474 S	*	11/2012	Juergens et al.	D12/209
D671,475 S	*	11/2012	Juergens et al.	D12/209
D671,479 S	*	11/2012	Gonser	D12/209

* cited by examiner

Primary Examiner — Stacia Cadmus

(74) *Attorney, Agent, or Firm* — Crowell & Moring LLP

(57) **CLAIM**

The ornamental design for a wheel or wheel cover, as shown and described.

DESCRIPTION

This application contains subject matter related to the following co-pending U.S. design patent applications:

Application Ser. No. 29/386,419, filed herewith and entitled “Wheel or Wheel Cover”; and

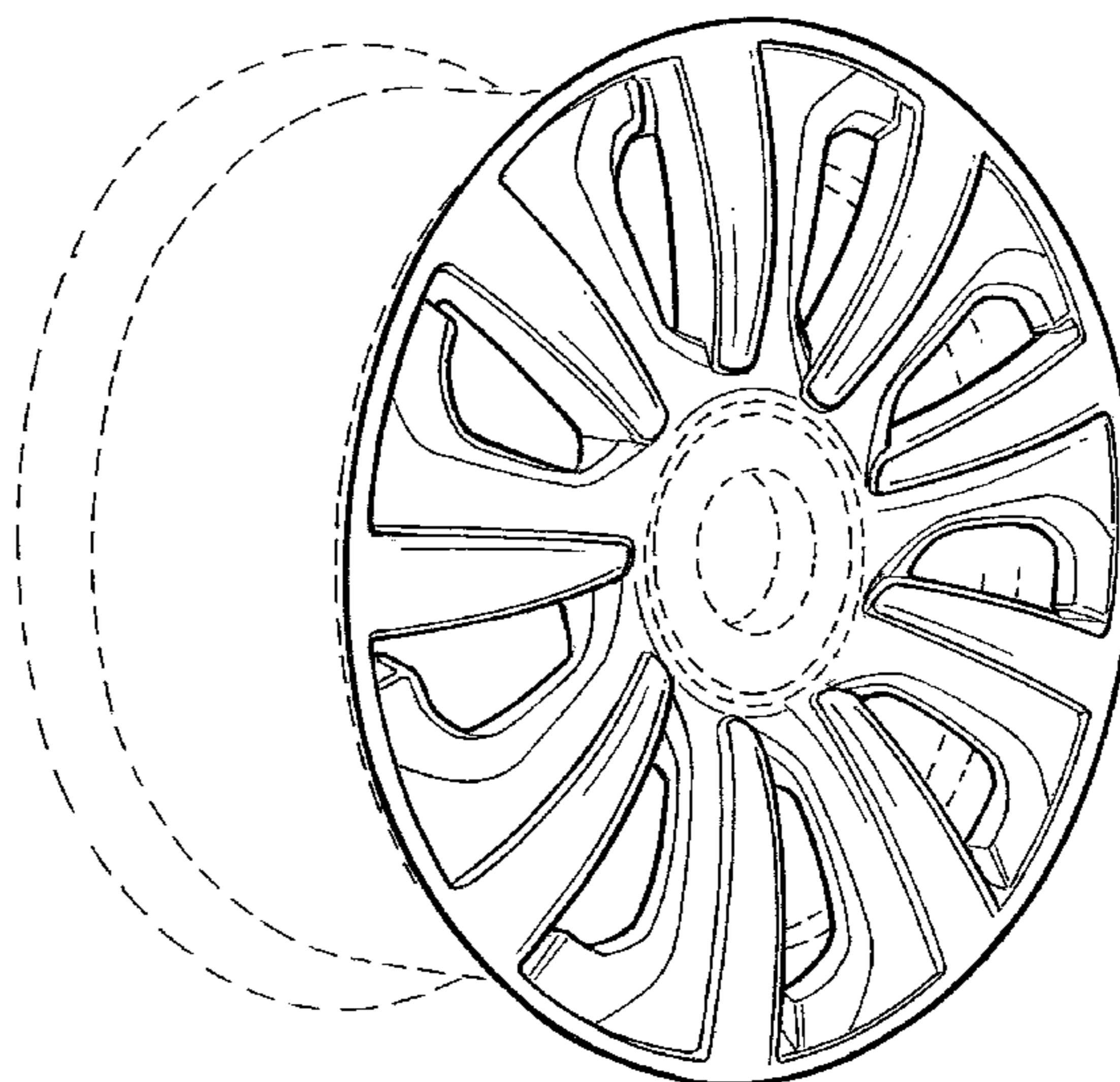
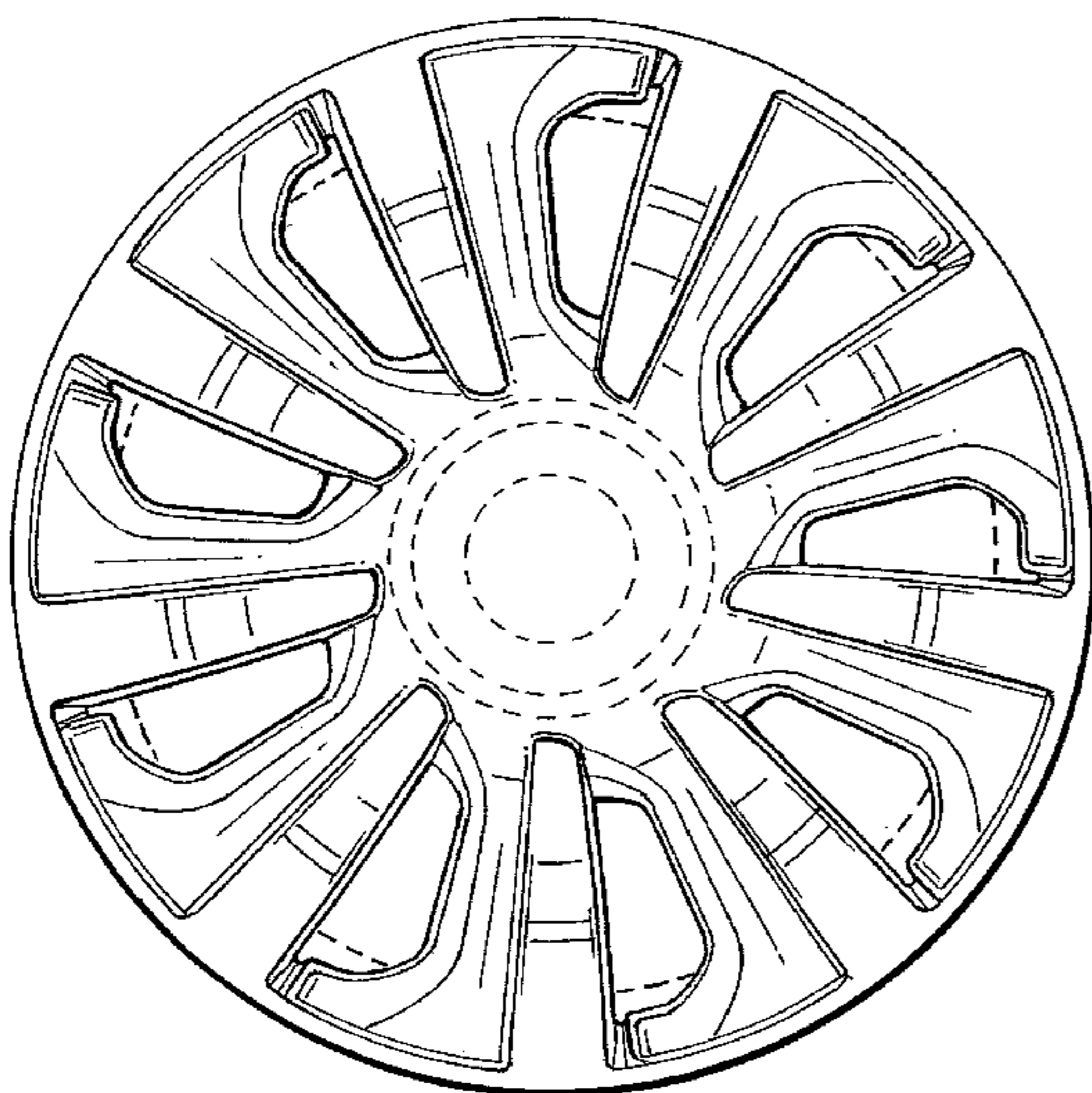
Application Ser. No. 29/386,421, filed herewith and entitled “Spoke for a Wheel or Wheel Cover”.

FIG. 1 is a front view of a wheel or wheel cover according to our design; and,

FIG. 2 is a perspective view thereof.

The broken line showing of the rear of the wheel and center opening in the central hub area is included for the purpose of illustrating environment and forms no part of the claimed design.

1 Claim, 1 Drawing Sheet



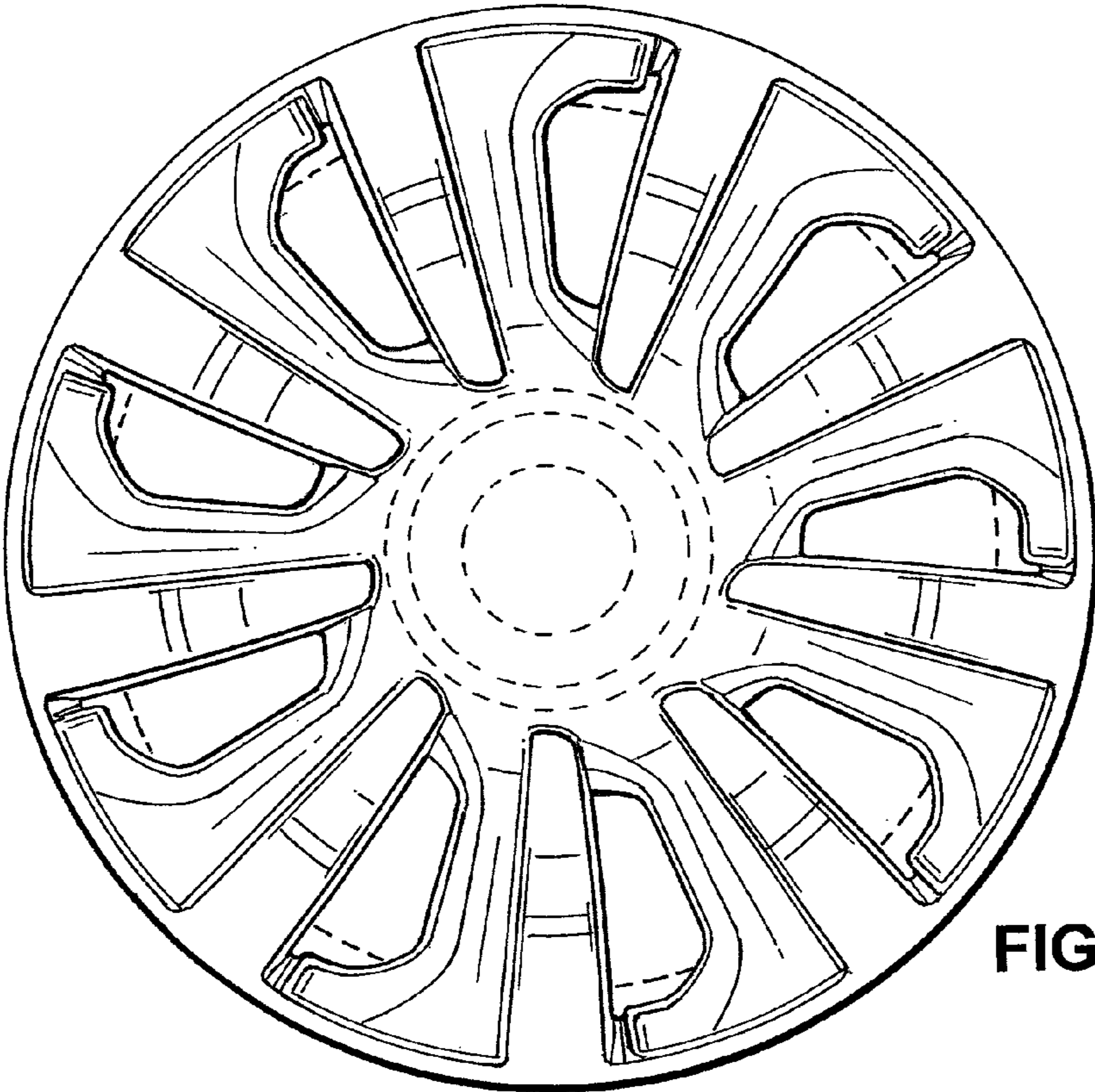


FIG. 1

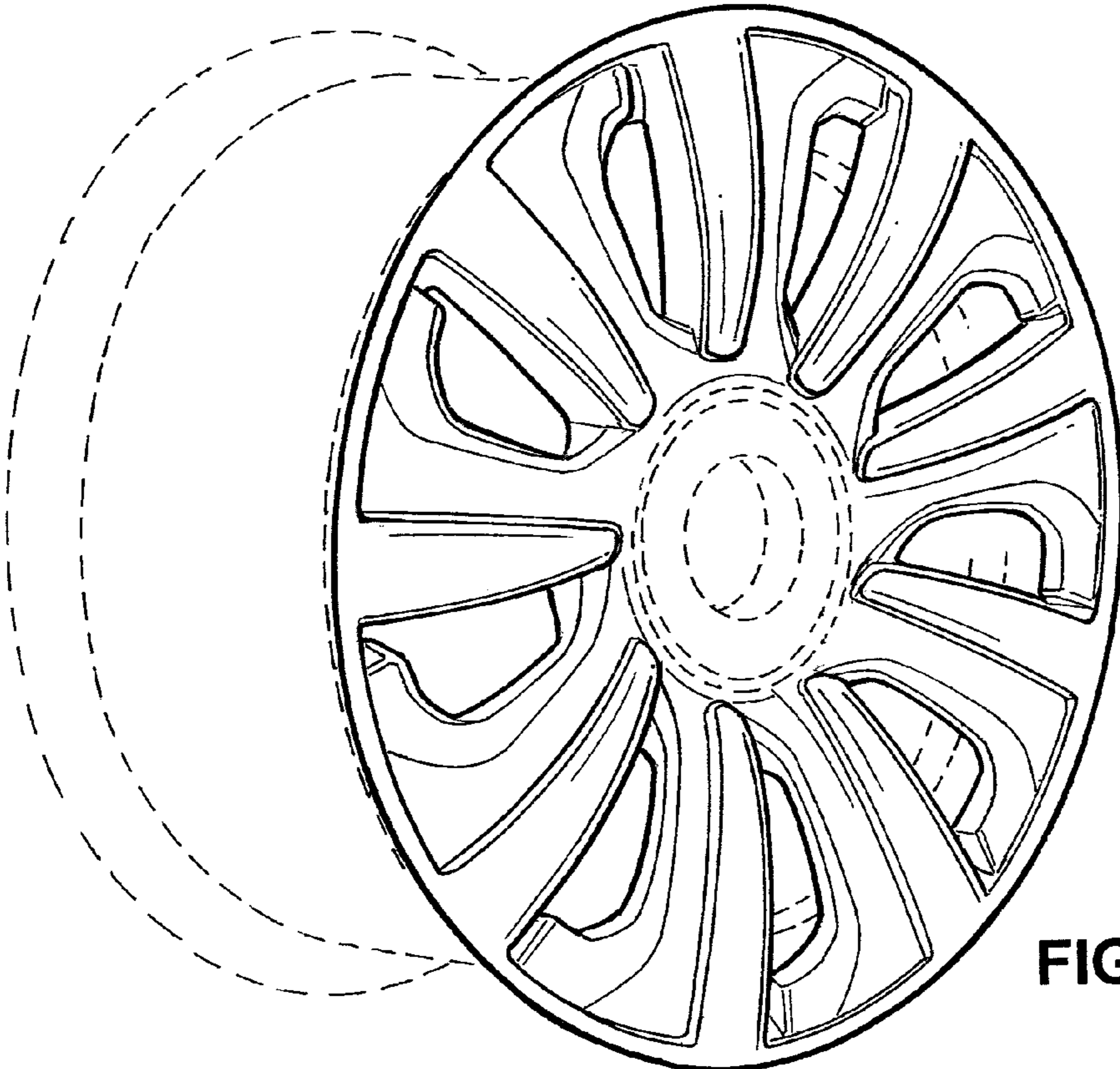


FIG. 2