



US00D681527S

(12) **United States Design Patent**
Lemon

(10) **Patent No.:** **US D681,527 S**

(45) **Date of Patent:** **** *May 7, 2013**

(54) **EXHAUST PIPE SET FOR A MINIVAN**

FOREIGN PATENT DOCUMENTS

(76) Inventor: **Shawna Cannon Lemon**, Morrisville,
NC (US)

EP	271465	A2	6/1988
JP	59183018	A	10/1984
JP	61040409	A	2/1986

(*) Notice: This patent is subject to a terminal disclaimer.

OTHER PUBLICATIONS

(**) Term: **14 Years**

09 Honda Odyssey brochure, American Honda Motor Co., Inc. (USA 2008).

(21) Appl. No.: **29/402,622**

(Continued)

(22) Filed: **Sep. 25, 2011**

Primary Examiner — Michael A Pratt

(57) **CLAIM**

The ornamental design for an exhaust pipe set for a minivan, substantially as shown and described.

Related U.S. Application Data

DESCRIPTION

(60) Continuation-in-part of application No. 29/388,367, filed on Mar. 28, 2011, now Pat. No. Des. 654,416, which is a continuation of application No. 29/370,303, filed on Jun. 28, 2010, now Pat. No. Des. 635,074, which is a division of application No. 29/314,790, filed on Apr. 29, 2009, now Pat. No. Des. 618,603.

FIG. 1 is a partial perspective view of the present design showing an exhaust pipe set for a minivan; FIG. 2 is a rear view thereof; FIG. 3 is a side view thereof, the opposite side being a mirror image thereof; FIG. 4 is a top view thereof; FIG. 5 is a partial perspective view of another embodiment of the present design showing an exhaust pipe set for a minivan; FIG. 6 is a rear view thereof; FIG. 7 is a side view thereof, the opposite side being a mirror image thereof and the top view corresponding to FIG. 4; FIG. 8 is a partial perspective view of another embodiment of the present design showing an exhaust pipe set for a minivan; FIG. 9 is a rear view thereof; FIG. 10 is a side view thereof, the opposite side being a mirror image thereof; and, FIG. 11 is a top view thereof.

(51) **LOC (9) Cl.** **12-16**

(52) **U.S. Cl.**
USPC **D12/194**

(58) **Field of Classification Search** D12/194,
D12/86; D15/5; 293/113; 29/890.08; 180/89.2,
180/296, 309; 181/247-249, 264, 282, 239-241,
181/227, 228; 60/303, 313, 323; 138/37-39,
138/44, 103, 109

See application file for complete search history.

The bottom view is disclaimed herein. The portions of the design shown in broken/dashed lines are for illustrative purposes only and form no part of the claimed design. The illustrated article is not limited to the scale shown.

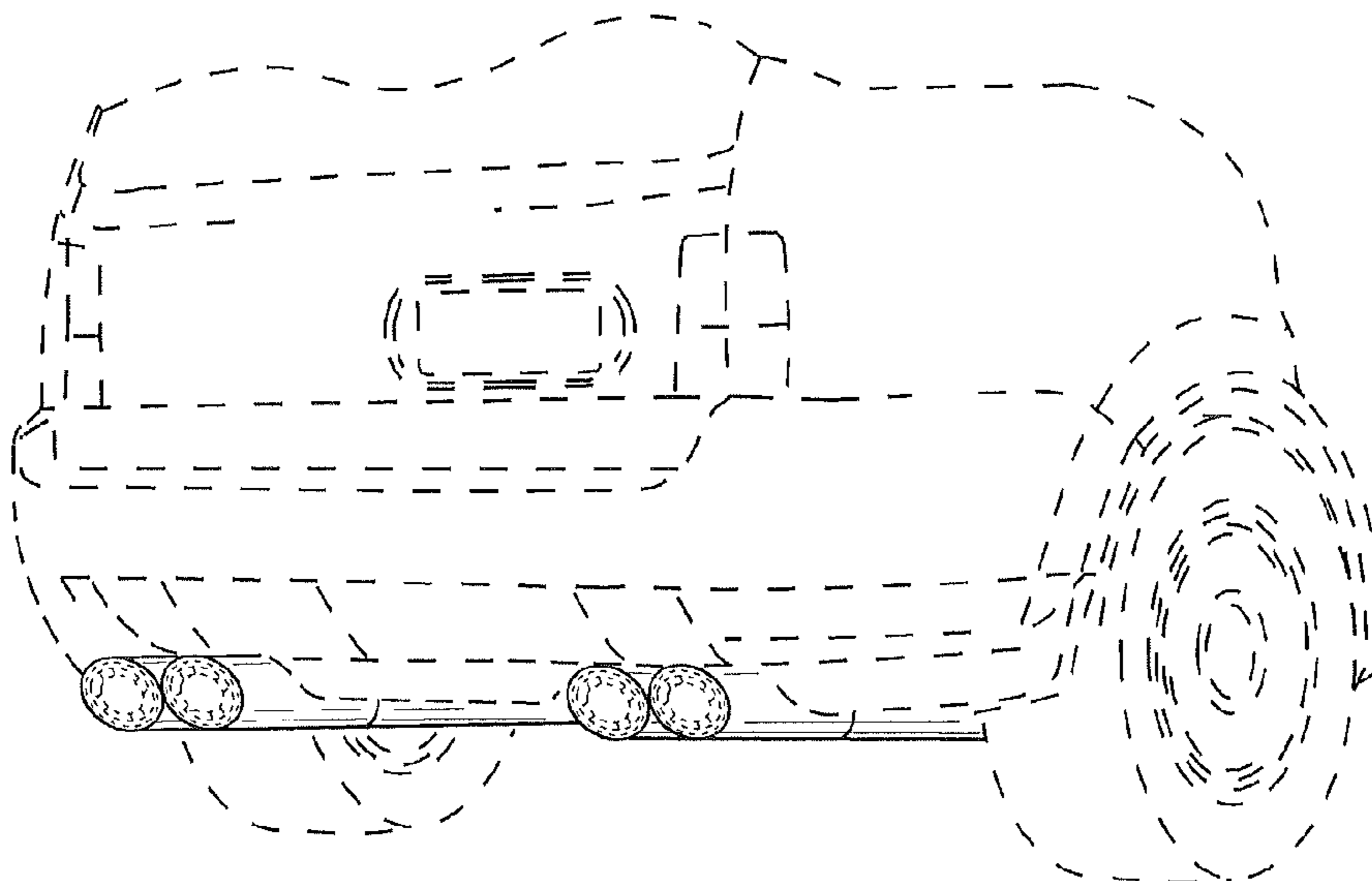
(56) **References Cited**

U.S. PATENT DOCUMENTS

4,478,310	A	10/1984	Harter	181/241
5,108,333	A	4/1992	Heider et al.	445/26

(Continued)

1 Claim, 8 Drawing Sheets



US D681,527 S

Page 2

U.S. PATENT DOCUMENTS

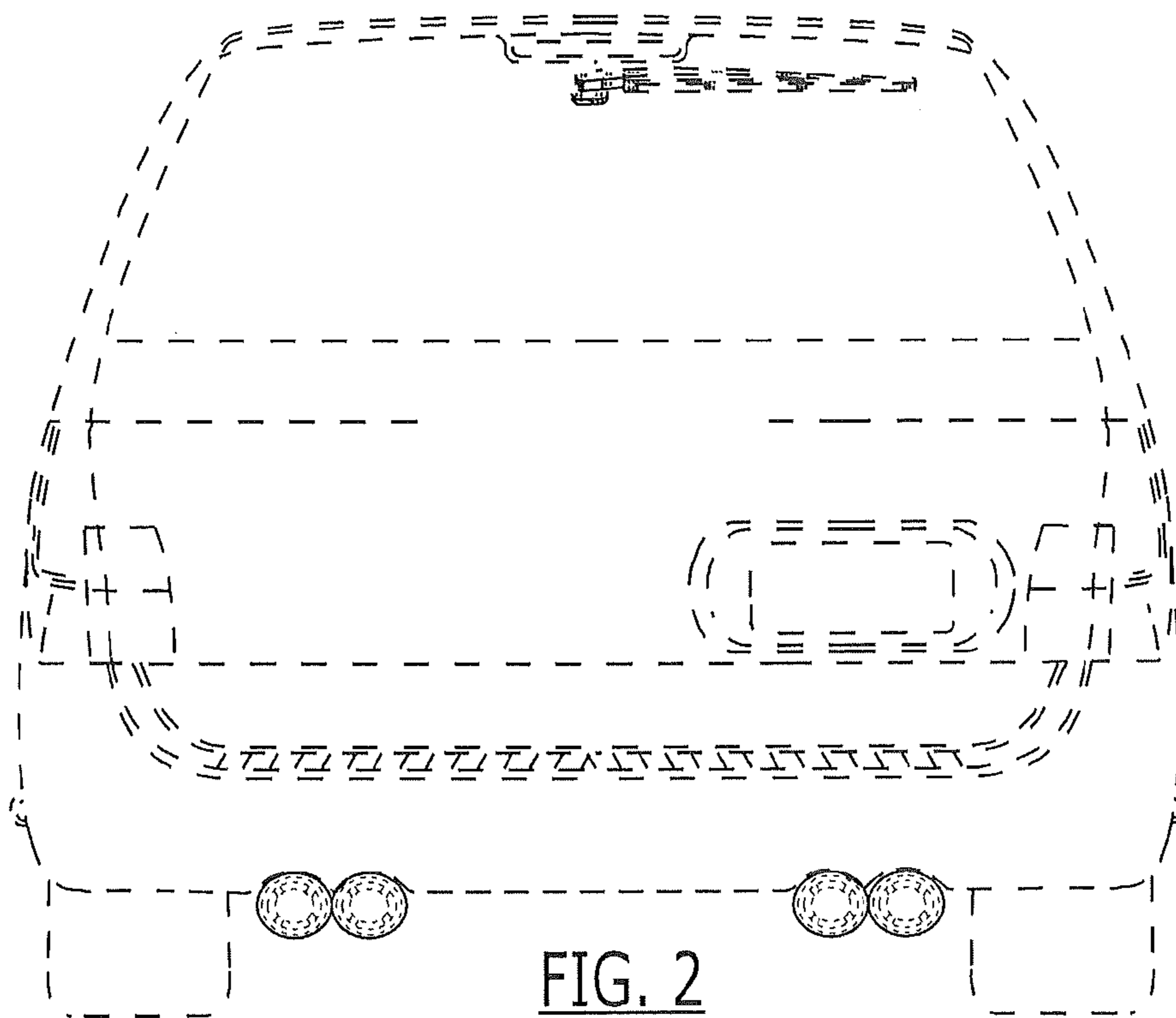
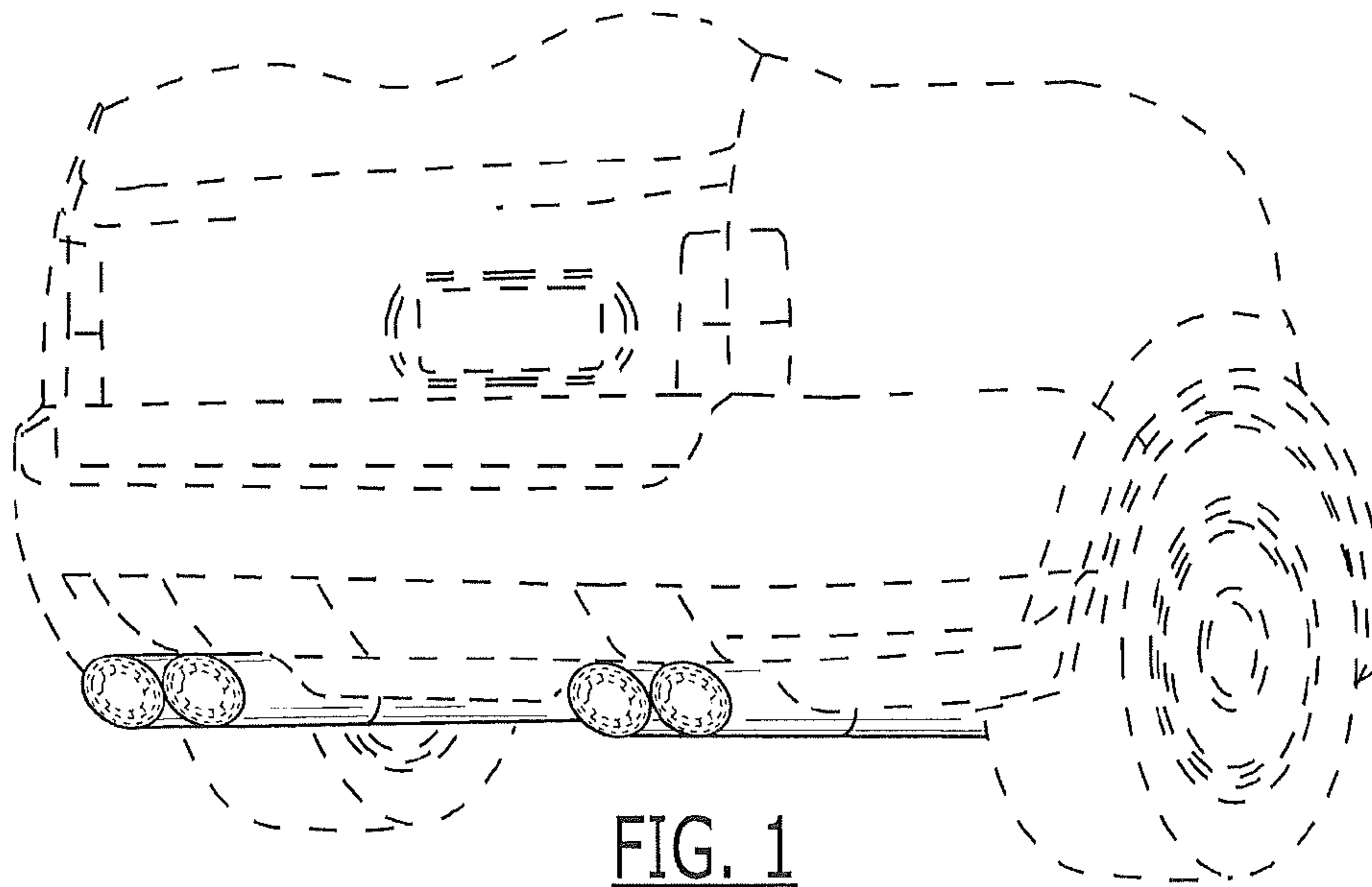
5,198,625 A 3/1993 Borla 181/248
5,200,582 A 4/1993 Kraai et al. 181/256
D341,339 S * 11/1993 Sato D12/92
D349,666 S * 8/1994 Shimoyama et al. D12/92
D435,815 S 1/2001 Larson D12/169
6,196,351 B1 3/2001 Clokey et al. 181/252
D440,527 S 4/2001 Wagner et al. D12/92
D467,209 S 12/2002 Burns D12/194
D479,156 S 9/2003 Meadows D12/91
D488,114 S 4/2004 Kulla D12/194
D488,755 S 4/2004 Kulla D12/194
7,007,720 B1 3/2006 Chase et al. 138/110
D534,469 S 1/2007 Murkett D12/194
D534,848 S 1/2007 Murkett D12/194
D539,715 S 4/2007 Lai D12/194
D540,231 S 4/2007 Braun et al. D12/194
7,243,757 B2 7/2007 Stuber 181/270
D553,062 S 10/2007 Murkett D12/194
D558,111 S 12/2007 Banks, III D12/194
D559,753 S 1/2008 Pfeiffer D12/194
D566,004 S * 4/2008 Teague et al. D12/86
D567,714 S * 4/2008 Sawai D12/92
D573,521 S 7/2008 Hsu D12/194
D577,633 S 9/2008 van Braeckel D12/92
D578,050 S 10/2008 Hsu D12/194
D579,392 S 10/2008 Saracoglu D12/194
D587,170 S * 2/2009 Tokoro et al. D12/91
D590,300 S * 4/2009 Saracoglu D12/92
D623,557 S * 9/2010 Kulla et al. D12/92
D633,822 S 3/2011 Cha D12/91
D637,111 S * 5/2011 Buckley D12/92
D645,788 S * 9/2011 Zheng et al. D12/92

D647,432 S * 10/2011 Zheng et al. D12/92
D651,134 S * 12/2011 Kulla et al. D12/92
D651,944 S * 1/2012 Steinmetz D12/92
D654,840 S * 2/2012 Barnaba D12/196
2004/0050618 A1 3/2004 Marocco 181/248
2005/0161283 A1 7/2005 Emler 181/249
2009/0127025 A1 5/2009 Rimback 181/282

OTHER PUBLICATIONS

2009 SUVs Mercedes-Benz brochure, Mercedes Benz USA, LLC (Montvale, NJ 2008).
2009 Routan Das Auto brochure, Volkswagen of America (USA 2008).
Sienna 09 brochure, Toyota Motor Sales (USA 2008).
2008 Chrysler Town & Country brochure (USA 2007).
08 Dodge Grand Caravan brochure (USA 2008).
08 Honda Odyssey brochure, American Honda Motor Co., Inc. (USA 2007).
2008 Hyundai Entourage brochure (USA 2007).
08.Sedona brochure.
Mercedes-Benz SUVs 2008 brochure, Mercedes Benz USA, LLC (Montvale, NJ 2007).
2008 Nissan Quest brochure (USA).
Paul Hochman, Pimp out your family minivan with accessories, MSNBC.com (Sep. 27, 2006).
<http://www.grounddynamics.com> (95-98 Honda Odyssey Body KIts) (viewed Apr. 28, 2009).
<http://www.grounddynamics.com> (99-03 Honda Odyssey Body Kits) (viewed Apr. 28, 2009).

* cited by examiner



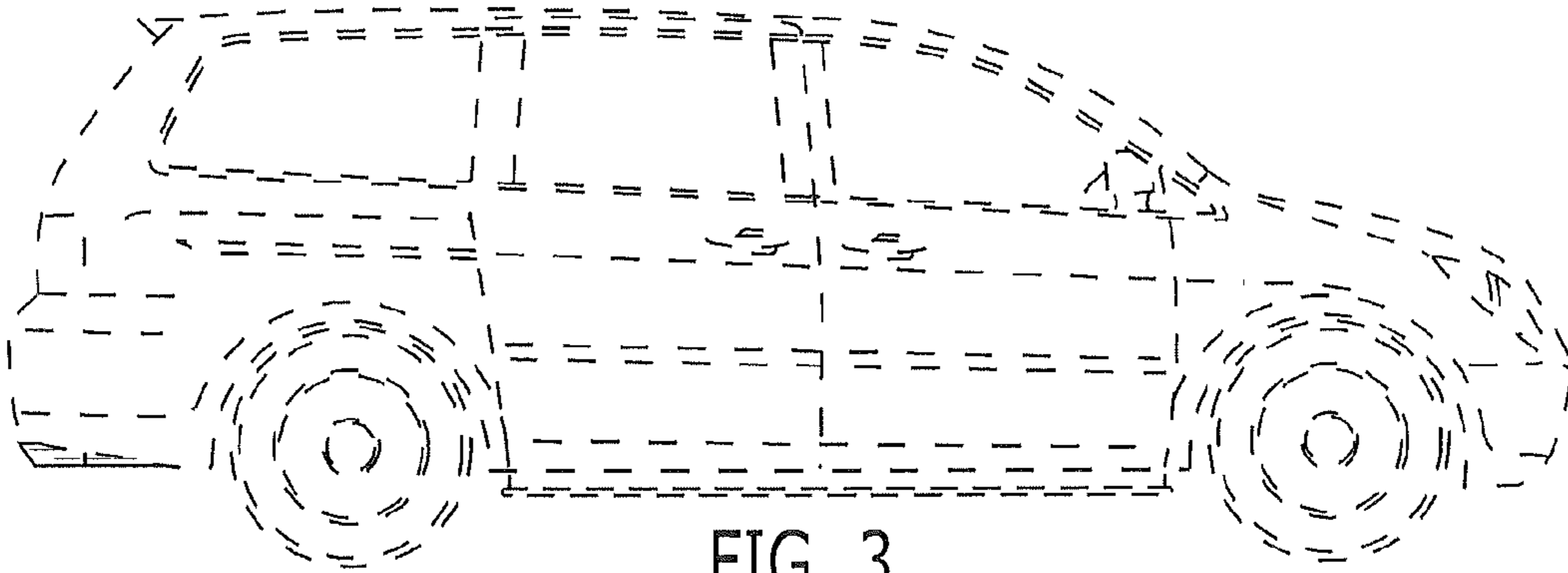


FIG. 3

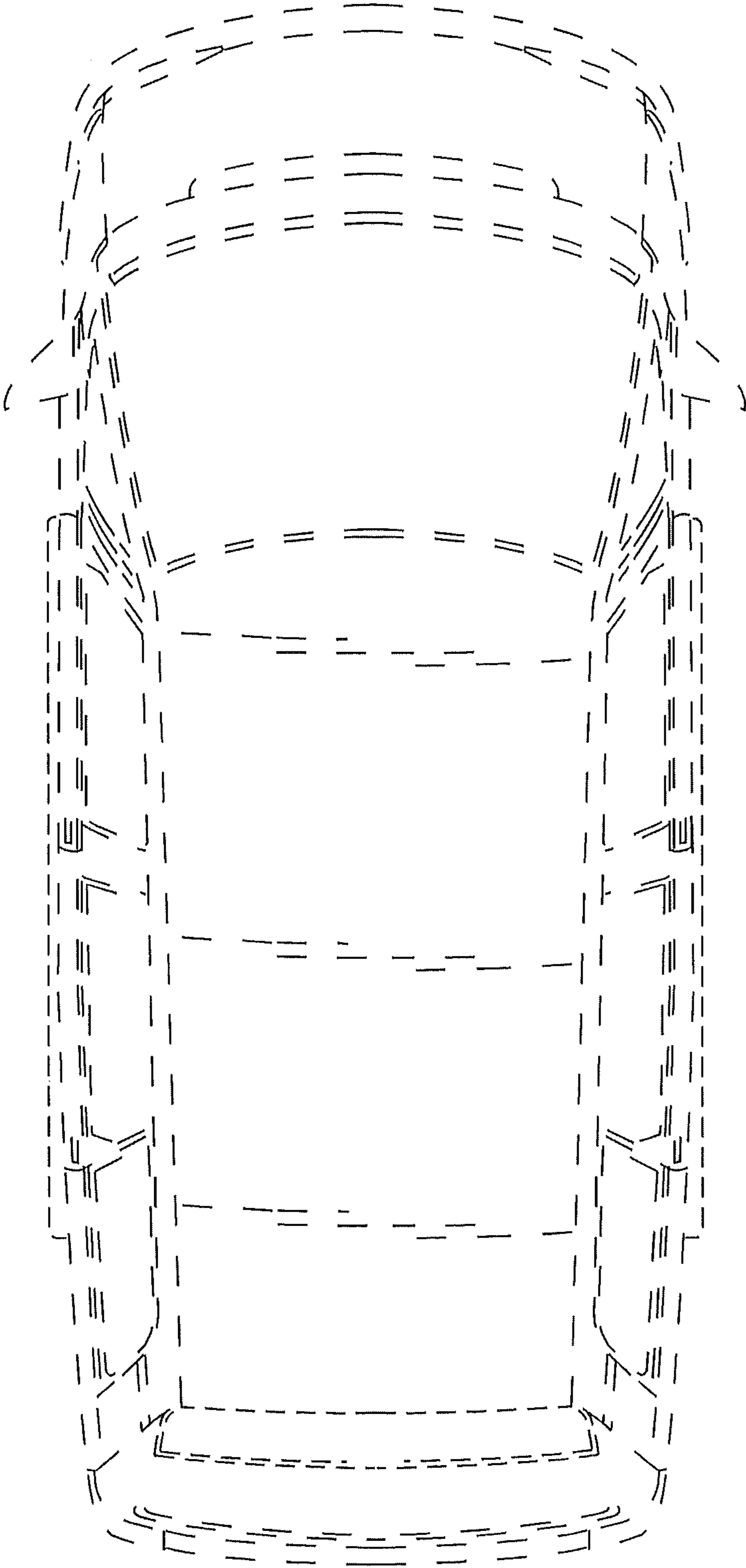


FIG. 4

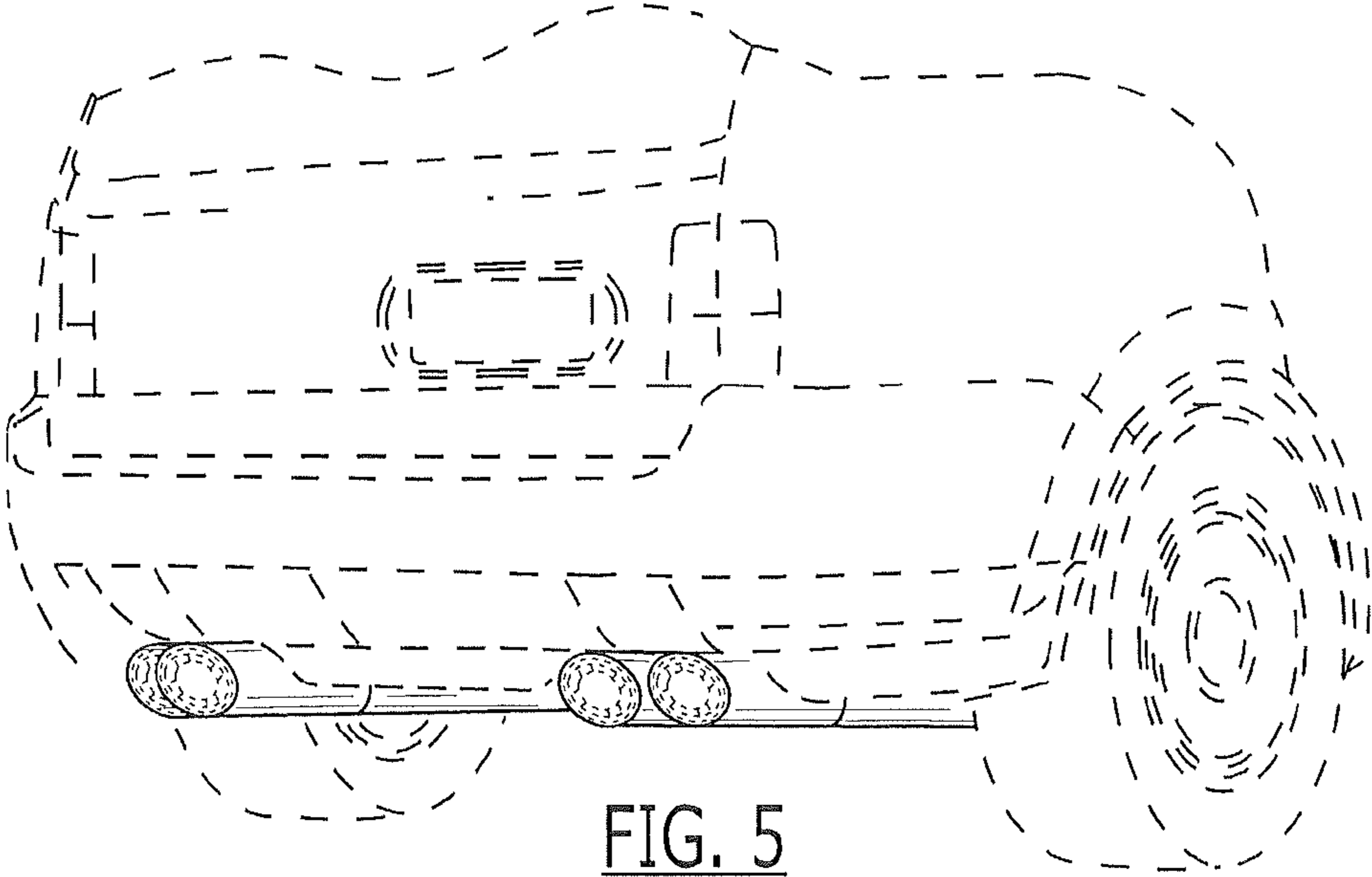


FIG. 5

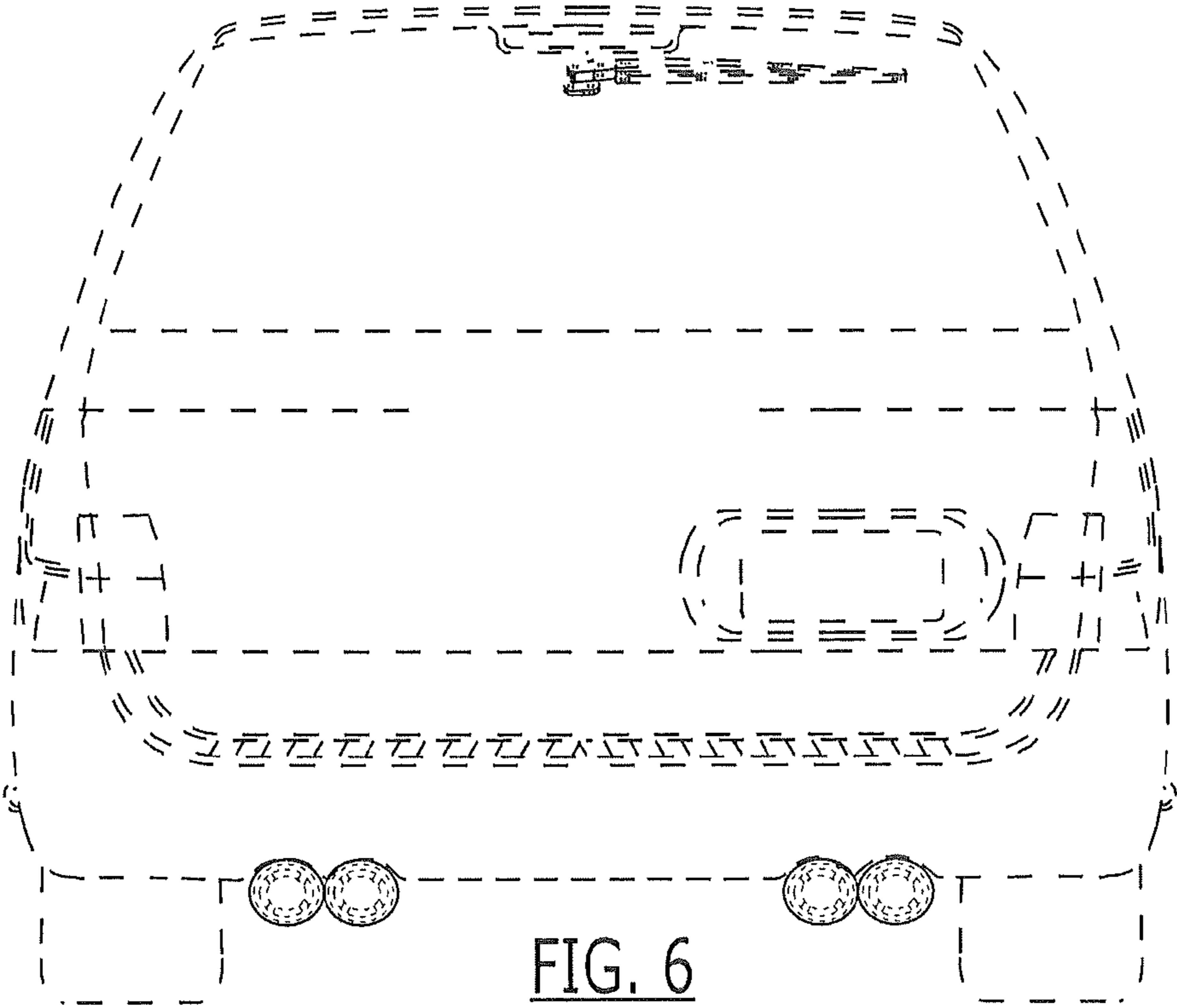


FIG. 6

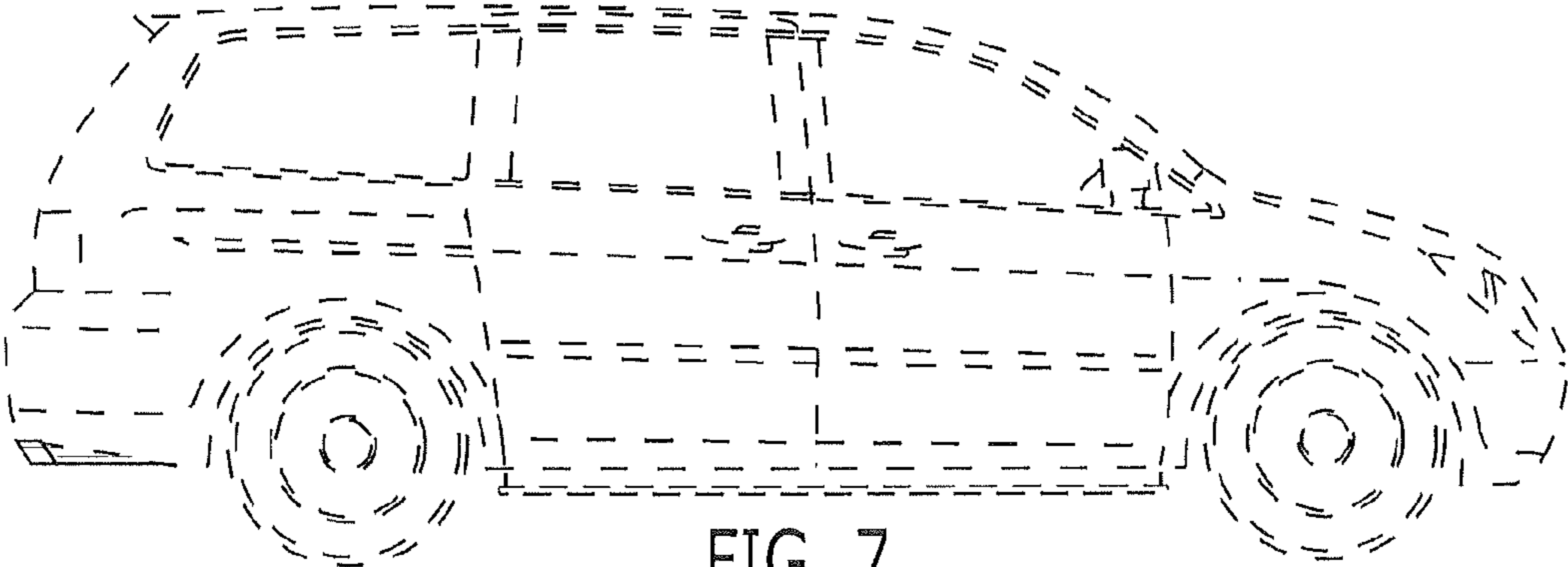


FIG. 7

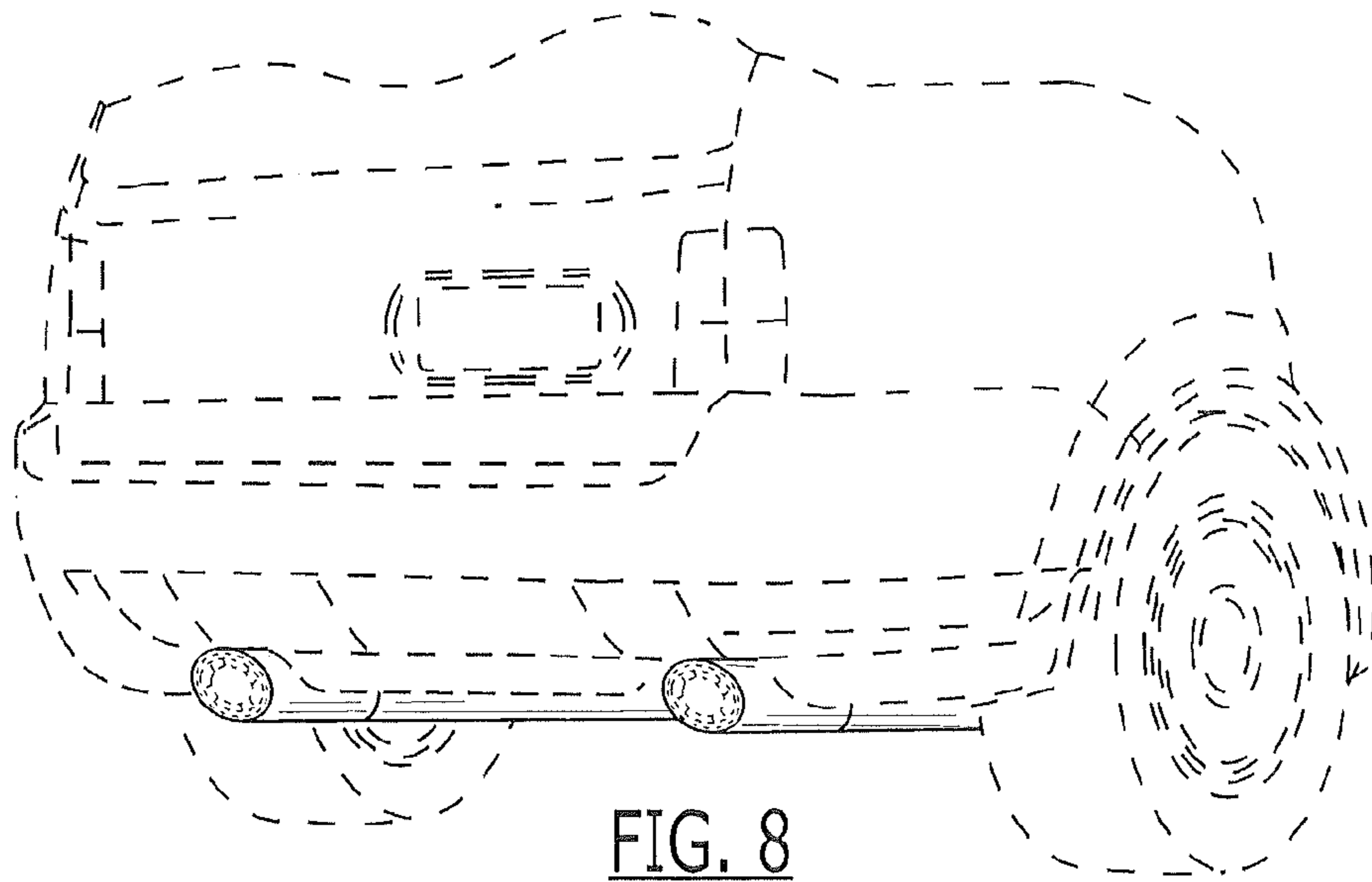


FIG. 8

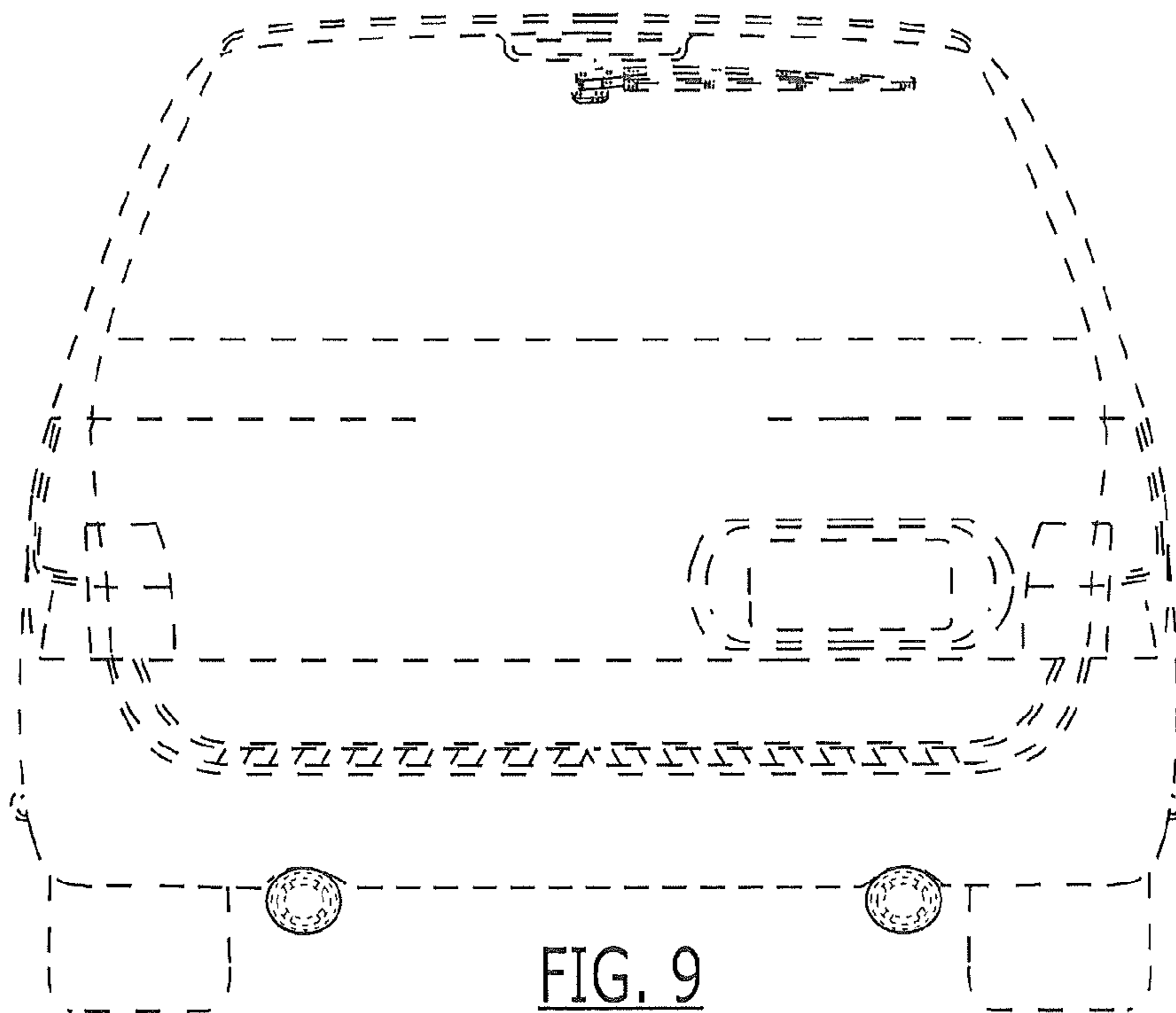


FIG. 9

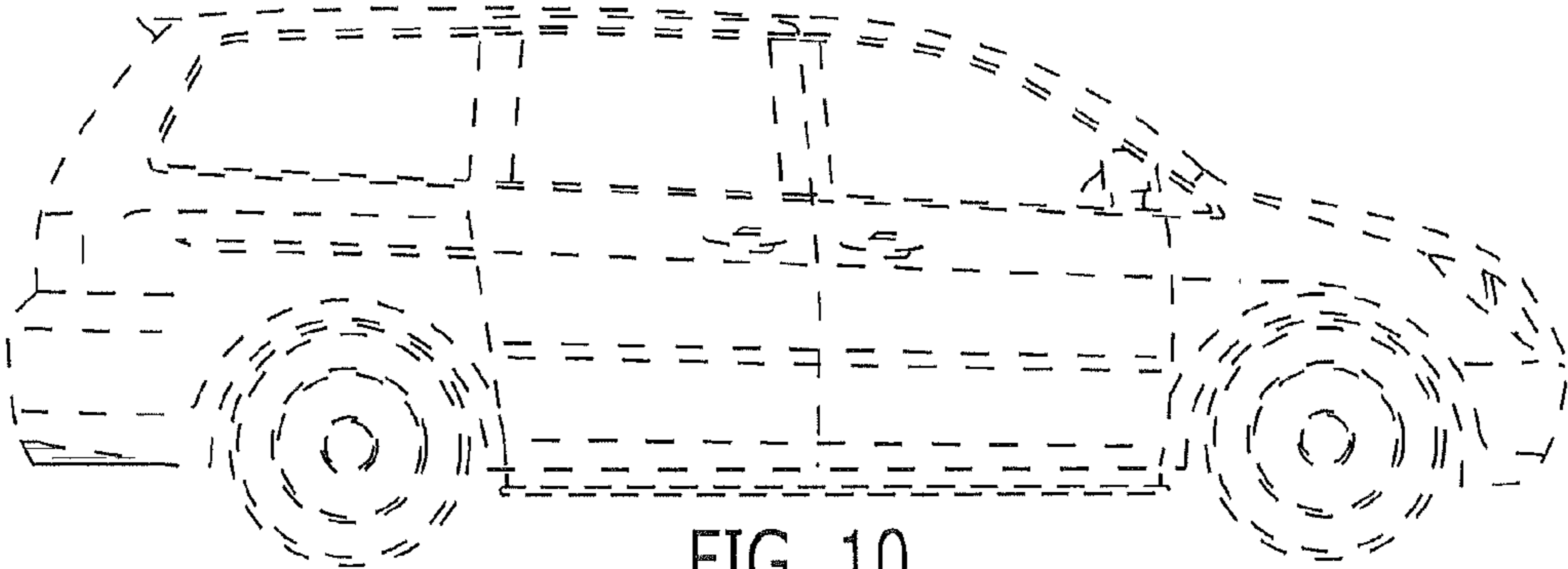


FIG. 10

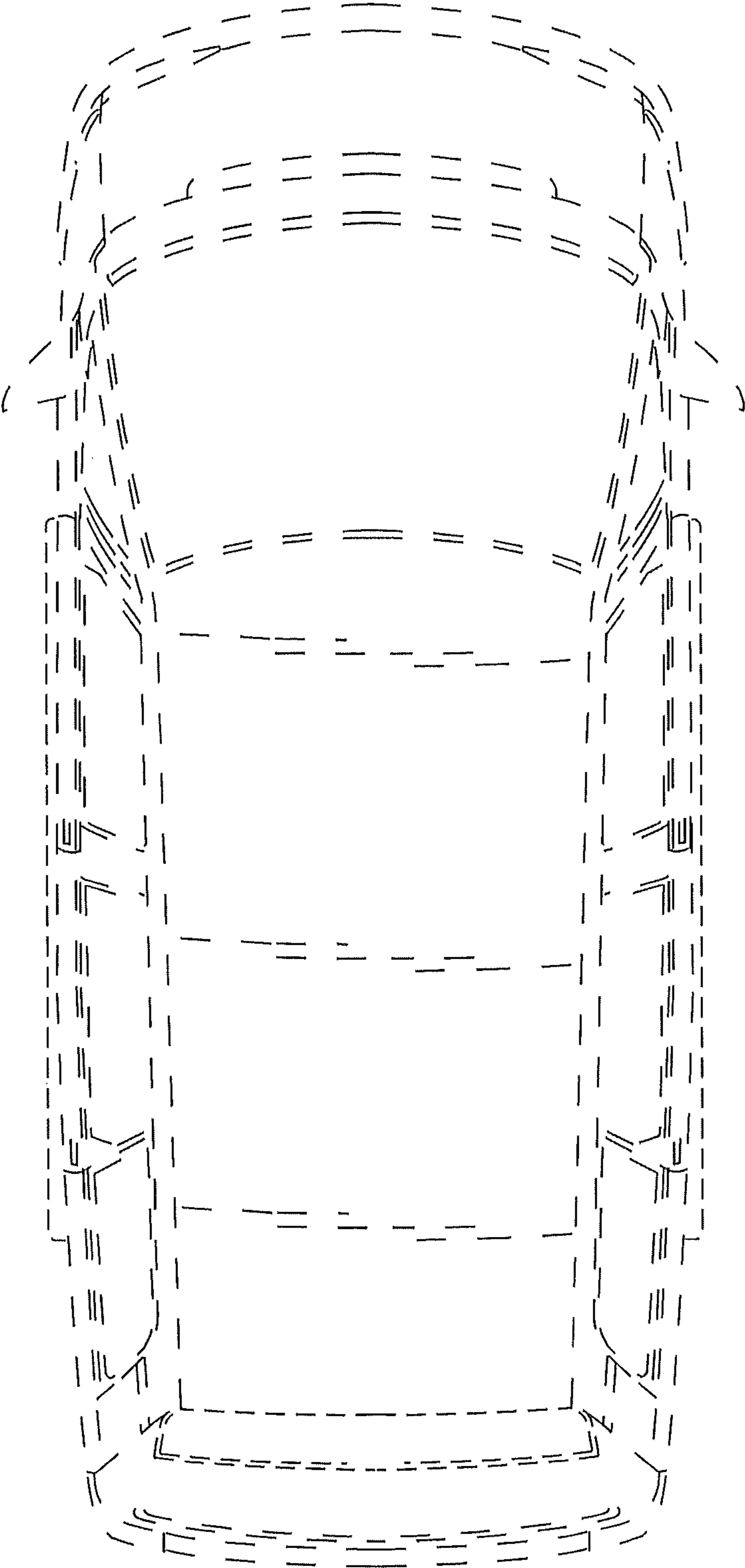


FIG. 11