



US00D681523S

(12) **United States Design Patent**  
**Messale**

(10) **Patent No.:** **US D681,523 S**

(45) **Date of Patent:** **\*\* May 7, 2013**

- (54) **VEHICLE FENDER**
- (75) Inventor: **Claudio Messale**, Cologne (DE)
- (73) Assignee: **Ford Global Technologies, LLC**, Dearborn, MI (US)
- (\*\*) Term: **14 Years**
- (21) Appl. No.: **29/409,783**
- (22) Filed: **Dec. 29, 2011**
- (51) **LOC (9) Cl.** ..... **12-16**
- (52) **U.S. Cl.**  
USPC ..... **D12/184**
- (58) **Field of Classification Search** ..... D12/184,  
D12/196, 90-92, 181; 280/152.1, 847-849,  
280/851; 296/181.1, 181.5  
See application file for complete search history.

- D613,219 S \* 4/2010 Elliott et al. .... D12/184
- D658,100 S \* 4/2012 Kubo et al. .... D12/196
- D660,214 S \* 5/2012 Cartabiano et al. .... D12/184
- D669,405 S \* 10/2012 Gifford ..... D12/184
- D672,295 S \* 12/2012 Yamada et al. .... D12/184

\* cited by examiner

*Primary Examiner* — Melody Brown

(74) *Attorney, Agent, or Firm* — Damian Porcari

(57) **CLAIM**

The ornamental design for a vehicle fender, as shown and described.

**DESCRIPTION**

FIG. 1 is a left side elevational view of a left vehicle fender; FIG. 2 is a right side elevational view of the vehicle fender; FIG. 3 is a front elevational view of the vehicle fender; FIG. 4 is a rear elevational view of the vehicle fender; FIG. 5 is a top plan view of the vehicle fender; FIG. 6 is a bottom plan view of the vehicle fender; FIG. 7 is a perspective view of the vehicle fender; and, FIG. 8 is another perspective view of the vehicle fender.

**1 Claim, 8 Drawing Sheets**

(56) **References Cited**

U.S. PATENT DOCUMENTS

- D598,346 S \* 8/2009 Buduo ..... D12/184
- D600,614 S \* 9/2009 Lamm ..... D12/184



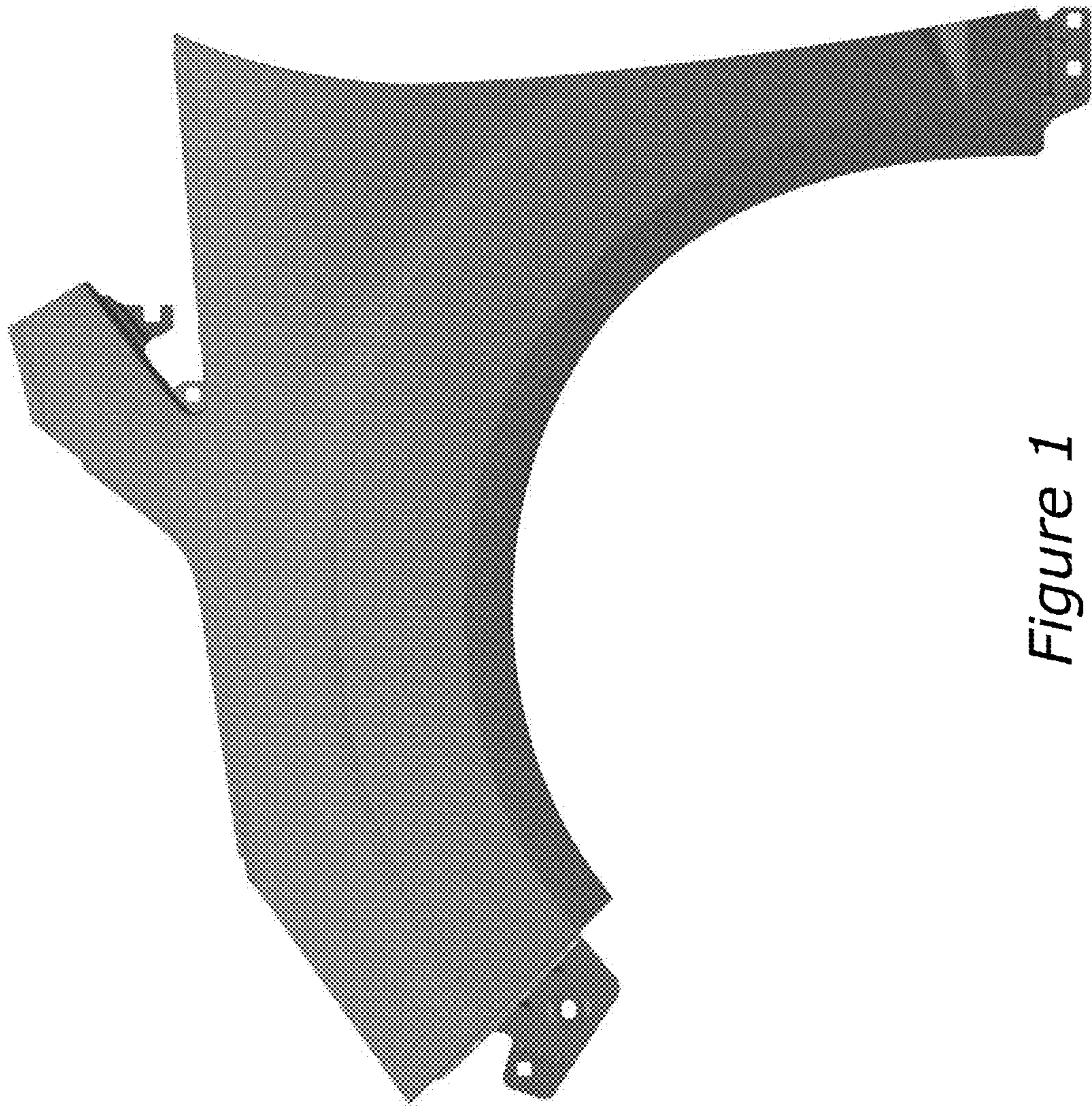


Figure 1

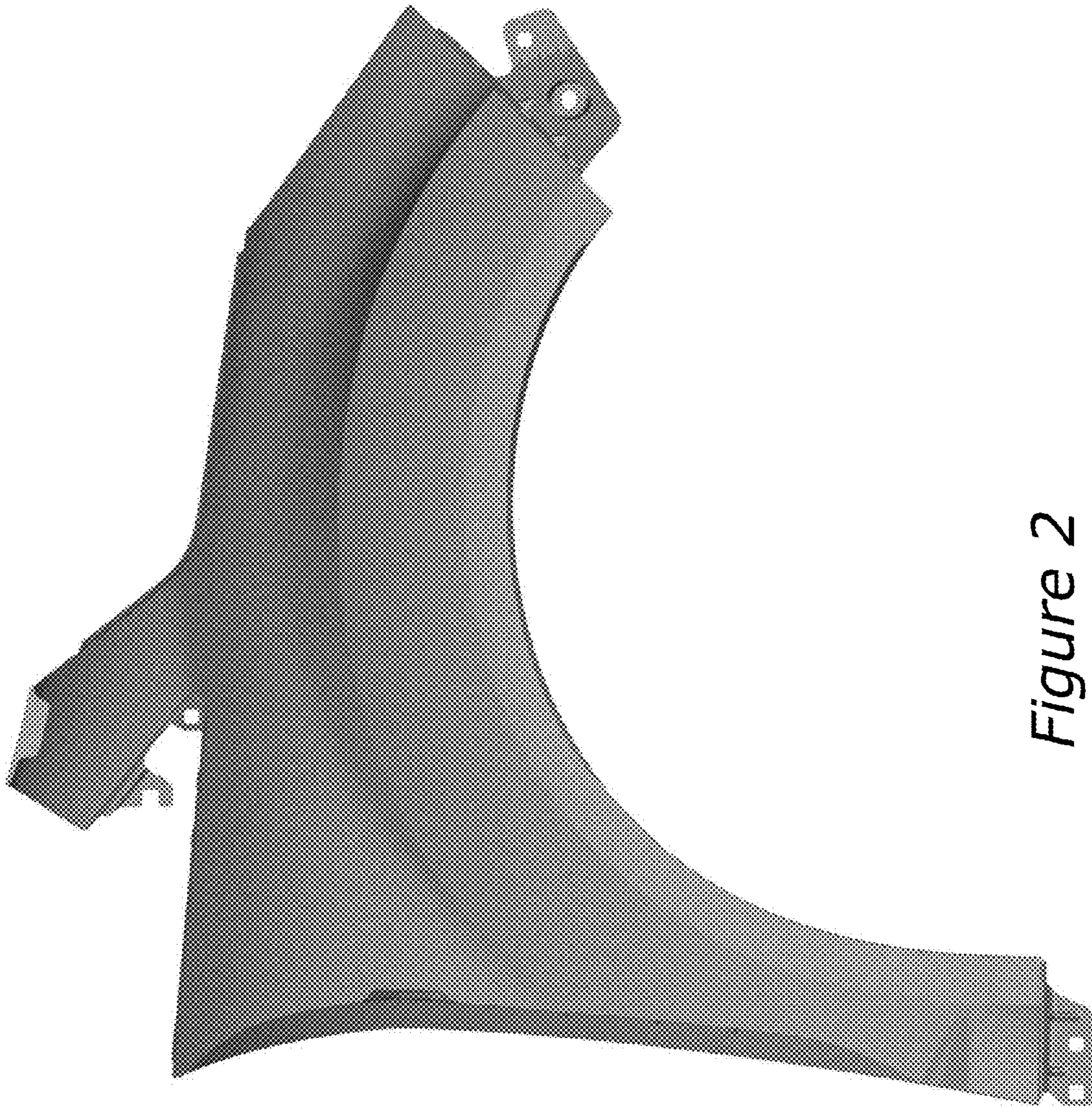
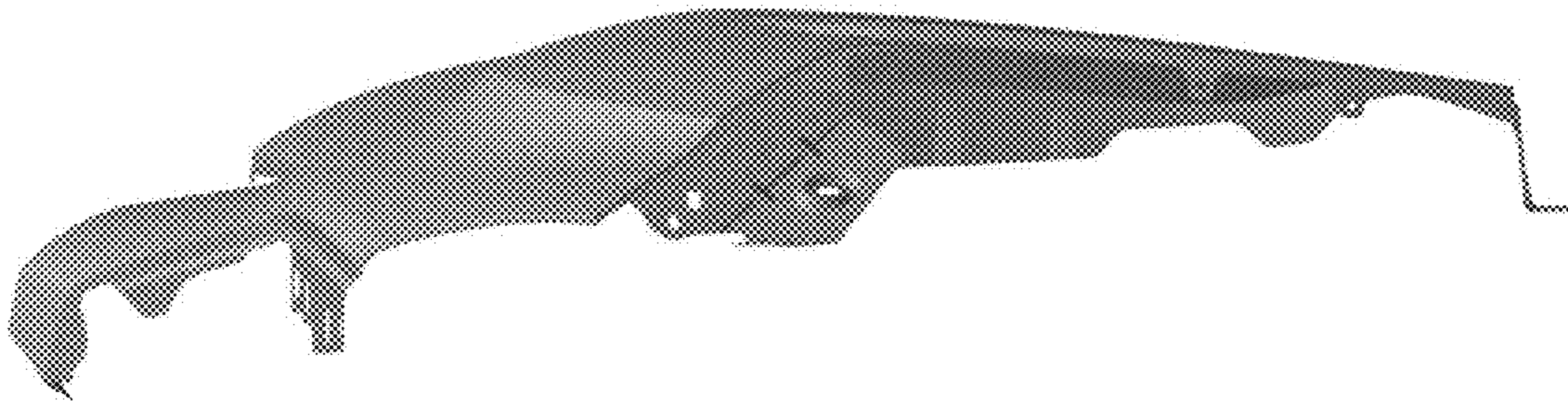


Figure 2

Figure 3



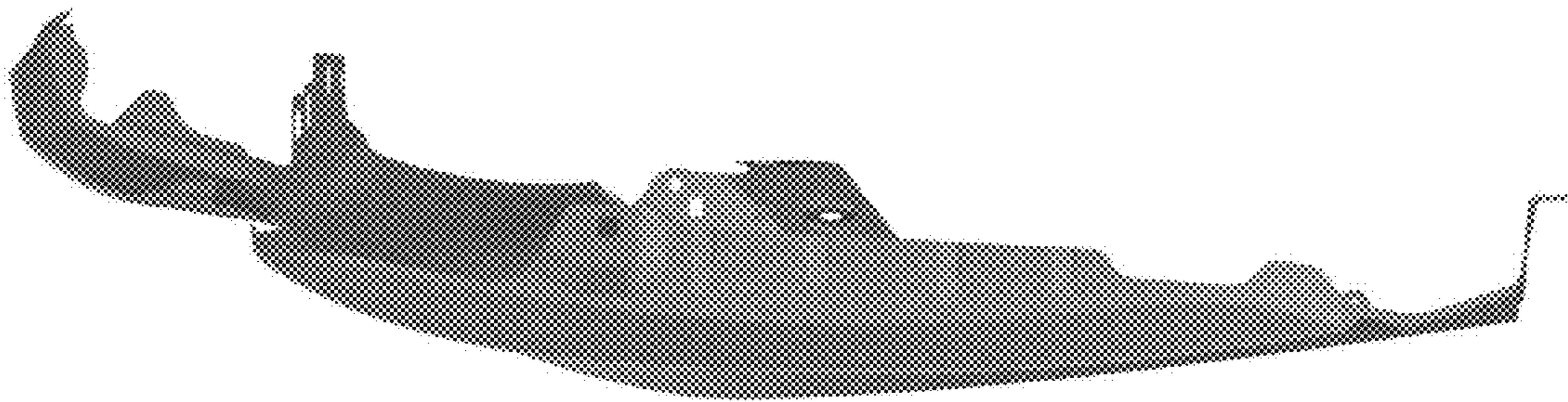


Figure 4

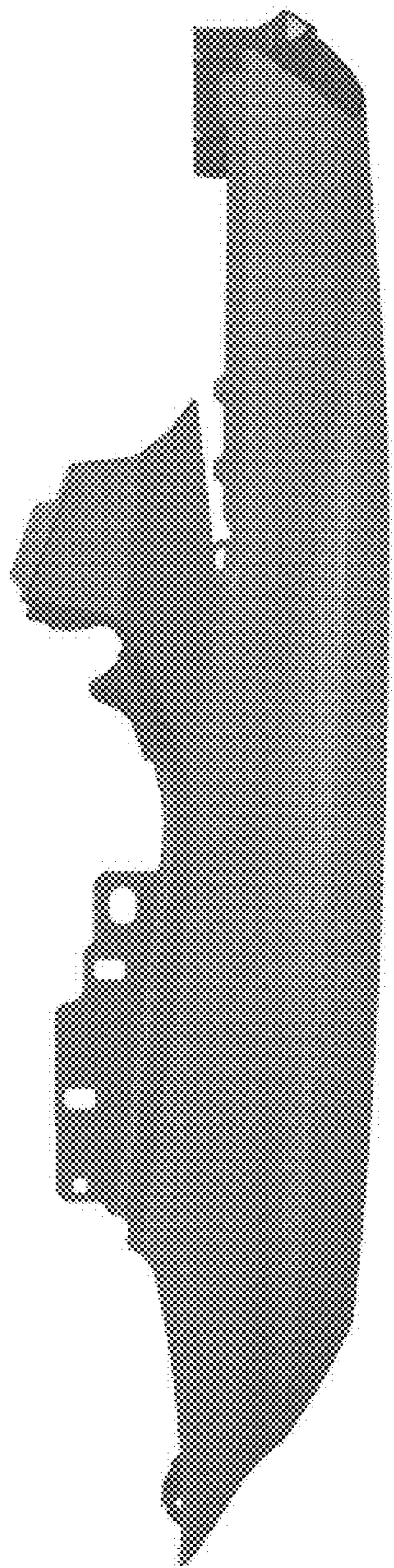
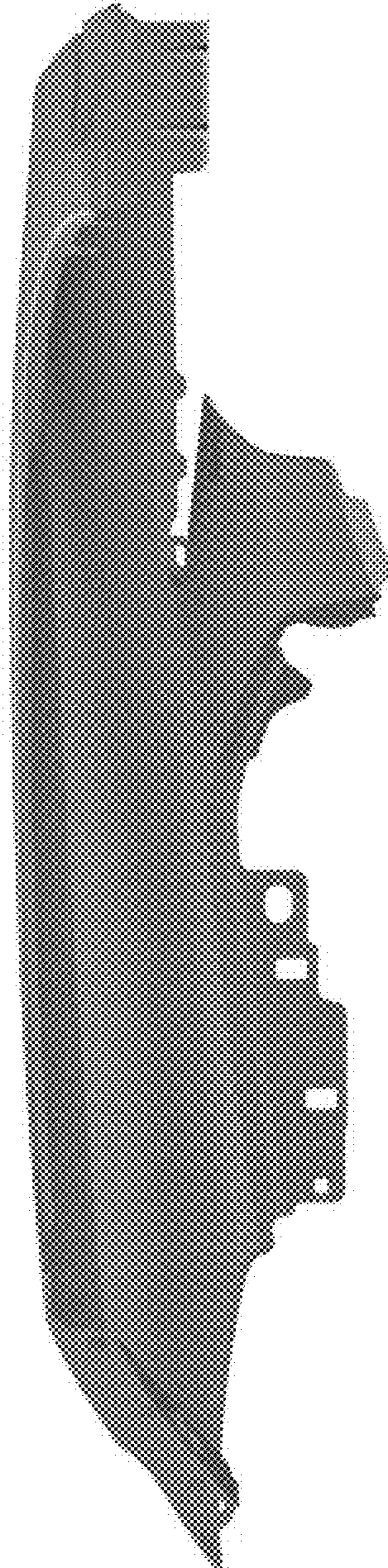


Figure 5



*Figure 6*

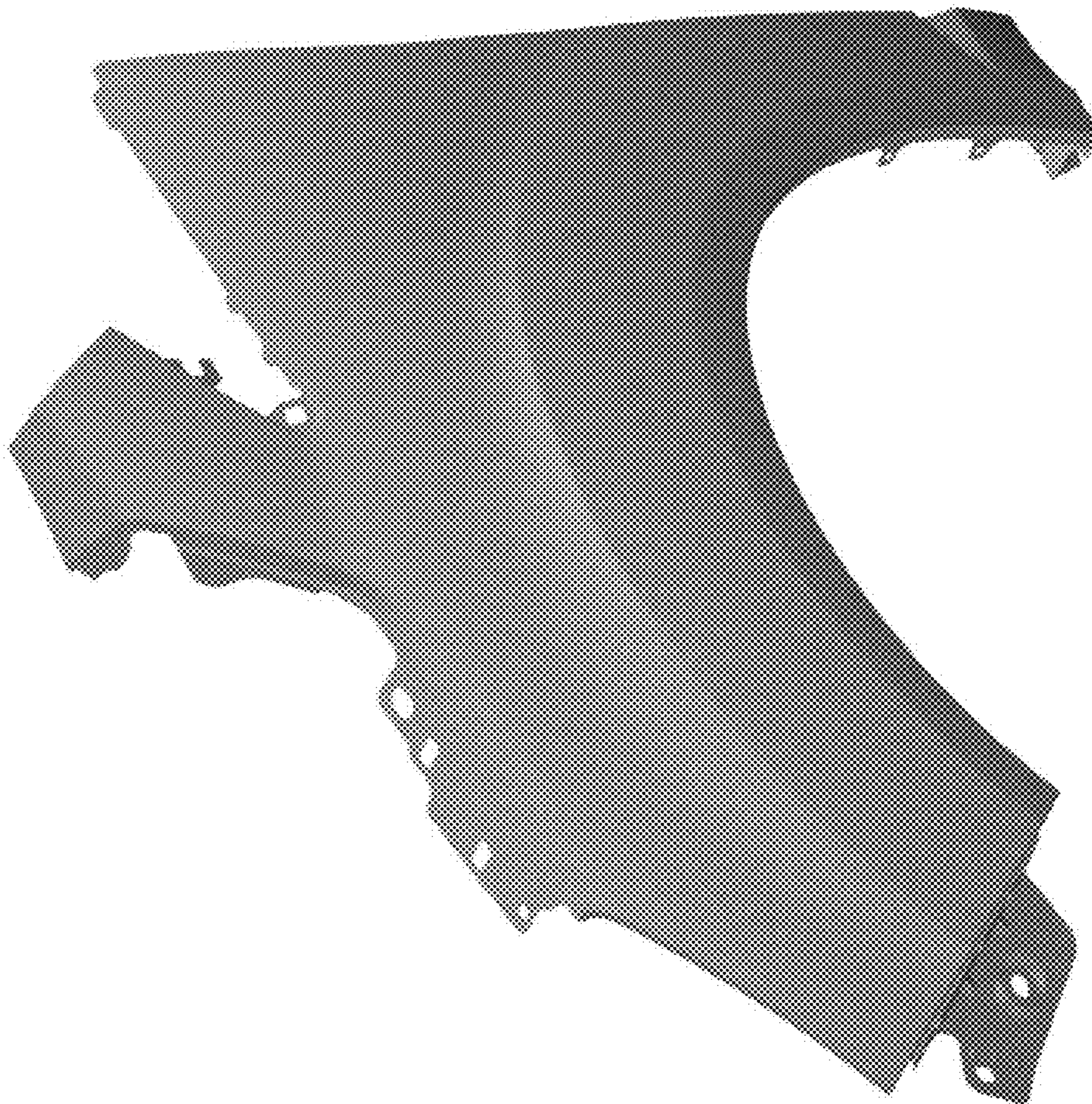


Figure 7



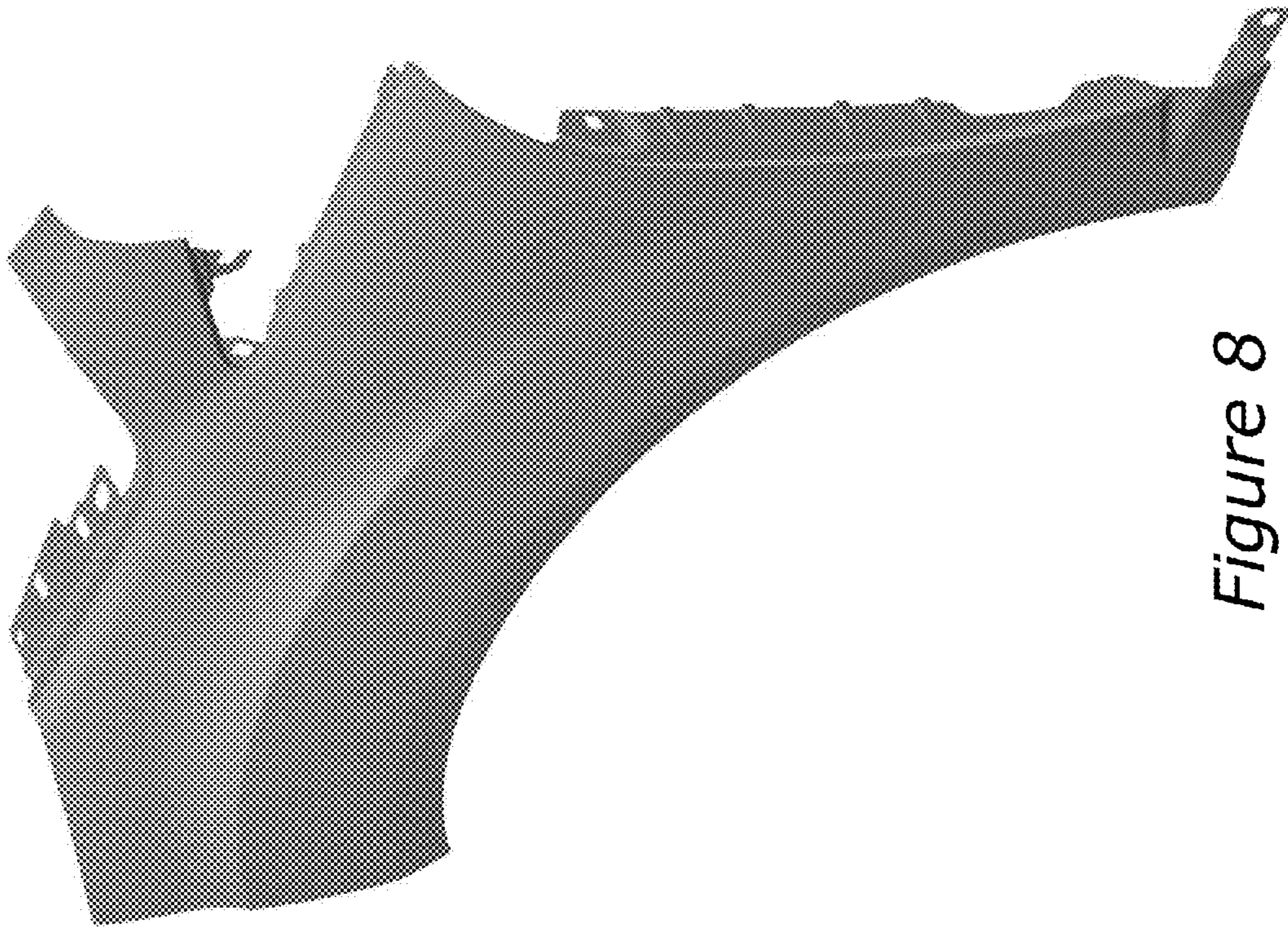


Figure 8