



US00D681513S

(12) **United States Design Patent**
Messale

(10) **Patent No.:** **US D681,513 S**

(45) **Date of Patent:** **** May 7, 2013**

(54) **VEHICLE FRONT UPPER GRILLE**

D644,966 S * 9/2011 Tonello D12/163
D644,967 S * 9/2011 Tonello D12/163
D672,290 S * 12/2012 Lamm D12/163

(75) Inventor: **Claudio Messale**, Cologne (DE)

* cited by examiner

(73) Assignee: **Ford Global Technologies, LLC**,
Dearborn, MI (US)

Primary Examiner — Melody Brown

(**) Term: **14 Years**

(74) *Attorney, Agent, or Firm* — Damian Porcari

(21) Appl. No.: **29/409,802**

(57) **CLAIM**

The ornamental design for a vehicle front upper grille, as shown and described.

(22) Filed: **Dec. 29, 2011**

DESCRIPTION

(51) **LOC (9) Cl.** **12-16**

(52) **U.S. Cl.**

USPC **D12/163**

(58) **Field of Classification Search** D12/163,
D12/196, 171, 169, 216, 90-92, 86; 180/68.1,
180/68.6; 296/193.11

See application file for complete search history.

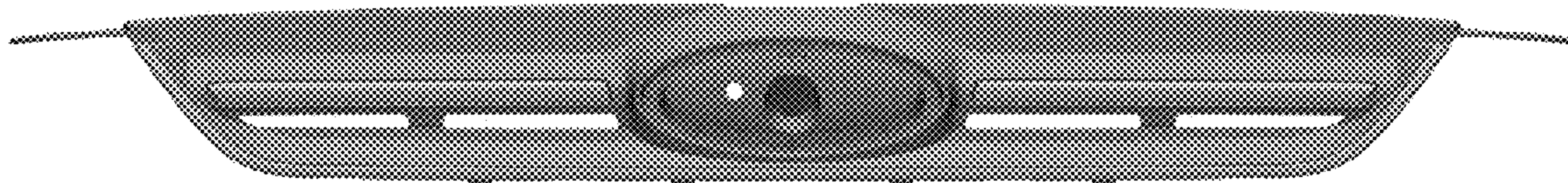
FIG. 1 is a top plan view of a vehicle front upper grille;
FIG. 2 is a bottom plan view of the vehicle front upper grille;
FIG. 3 is a front elevational view of the vehicle front upper grille;
FIG. 4 is a left side elevational view of the vehicle front upper grille;
FIG. 5 is a right side elevational view of the vehicle front upper grille;
FIG. 6 is a perspective view of the vehicle front upper grille;
and,
FIG. 7 is another perspective view of the vehicle front upper grille.

(56) **References Cited**

U.S. PATENT DOCUMENTS

D580,311 S * 11/2008 Gueler et al. D12/163
D603,763 S 11/2009 Lamm
D619,057 S * 7/2010 George et al. D12/163
D644,965 S * 9/2011 Tonello D12/163

1 Claim, 7 Drawing Sheets



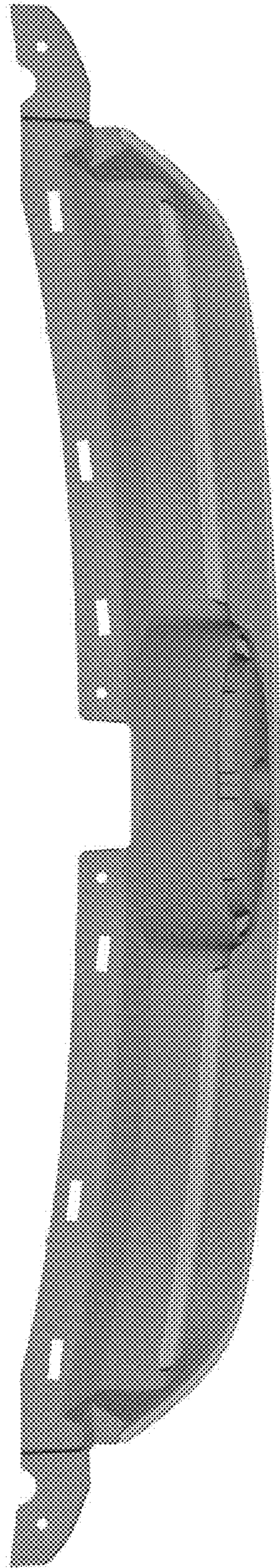


Figure 1

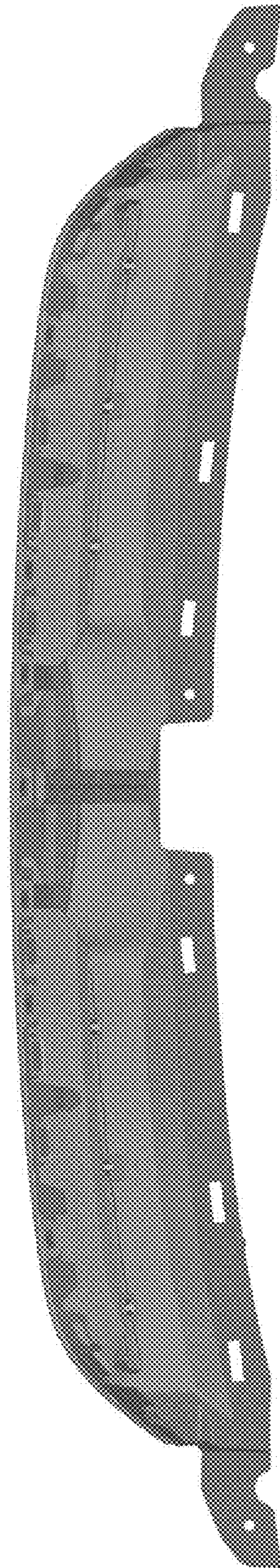


Figure 2

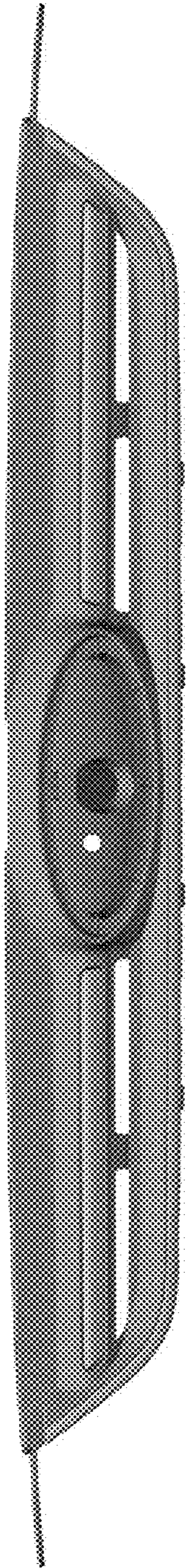


Figure 3

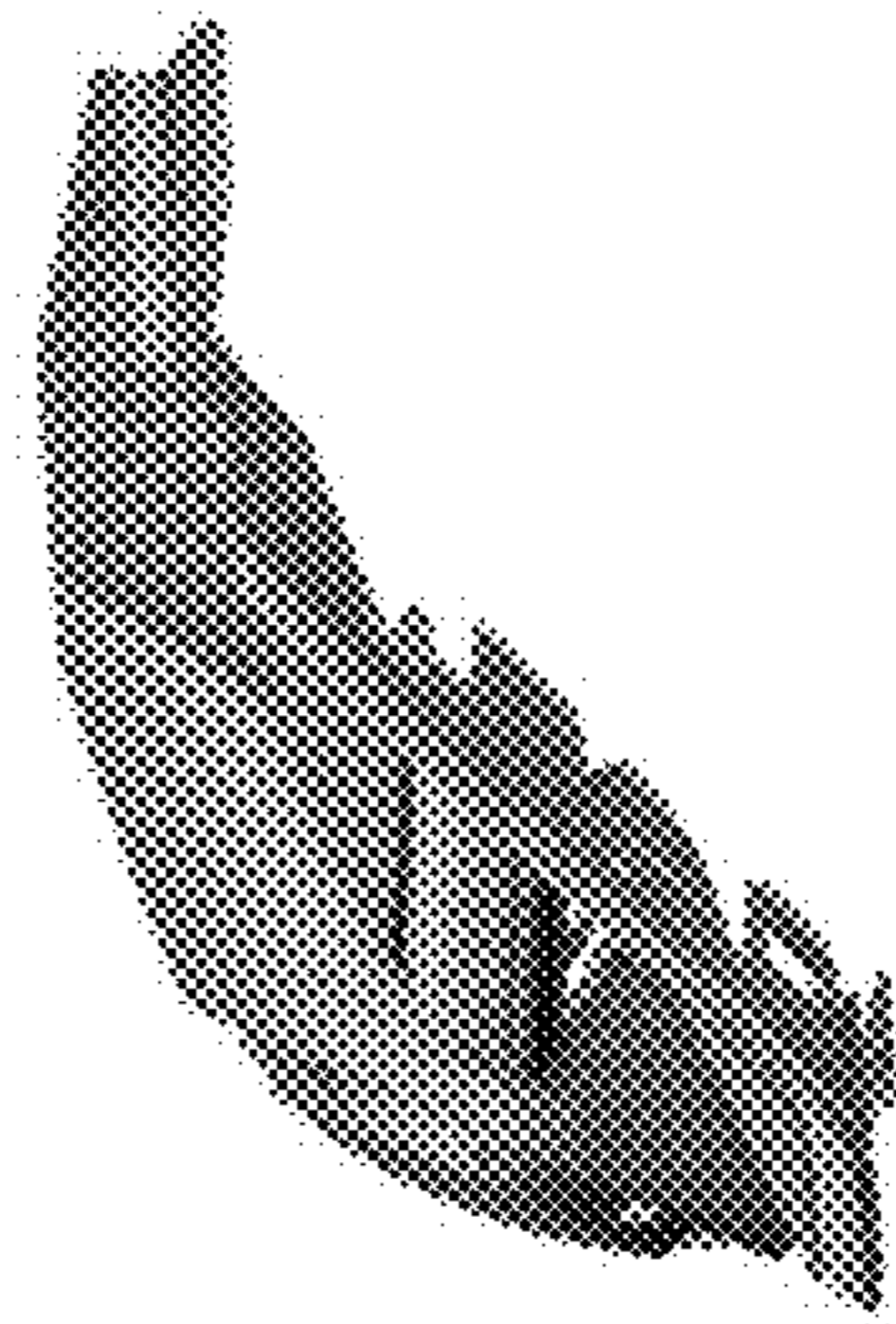


Figure 4

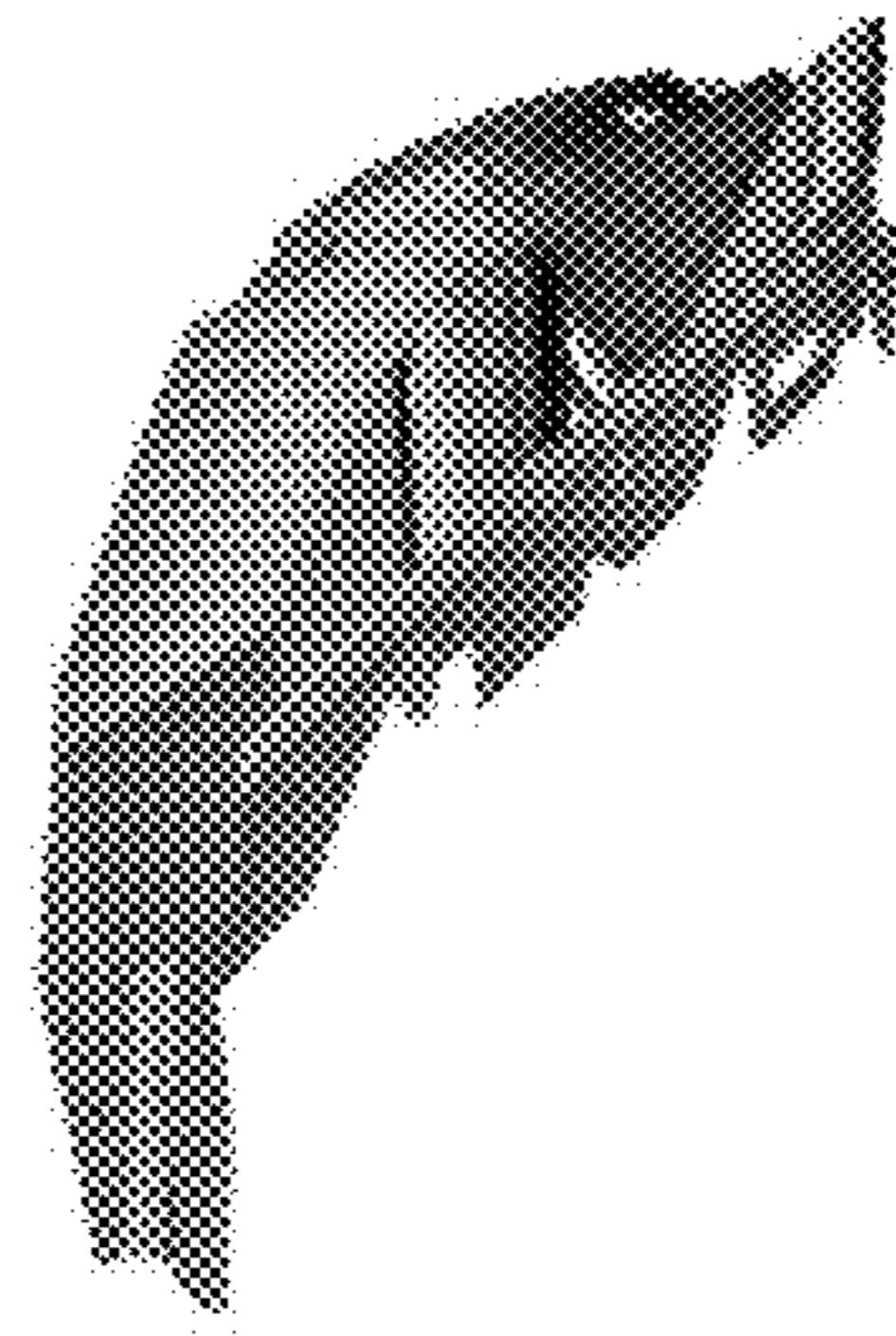


Figure 5

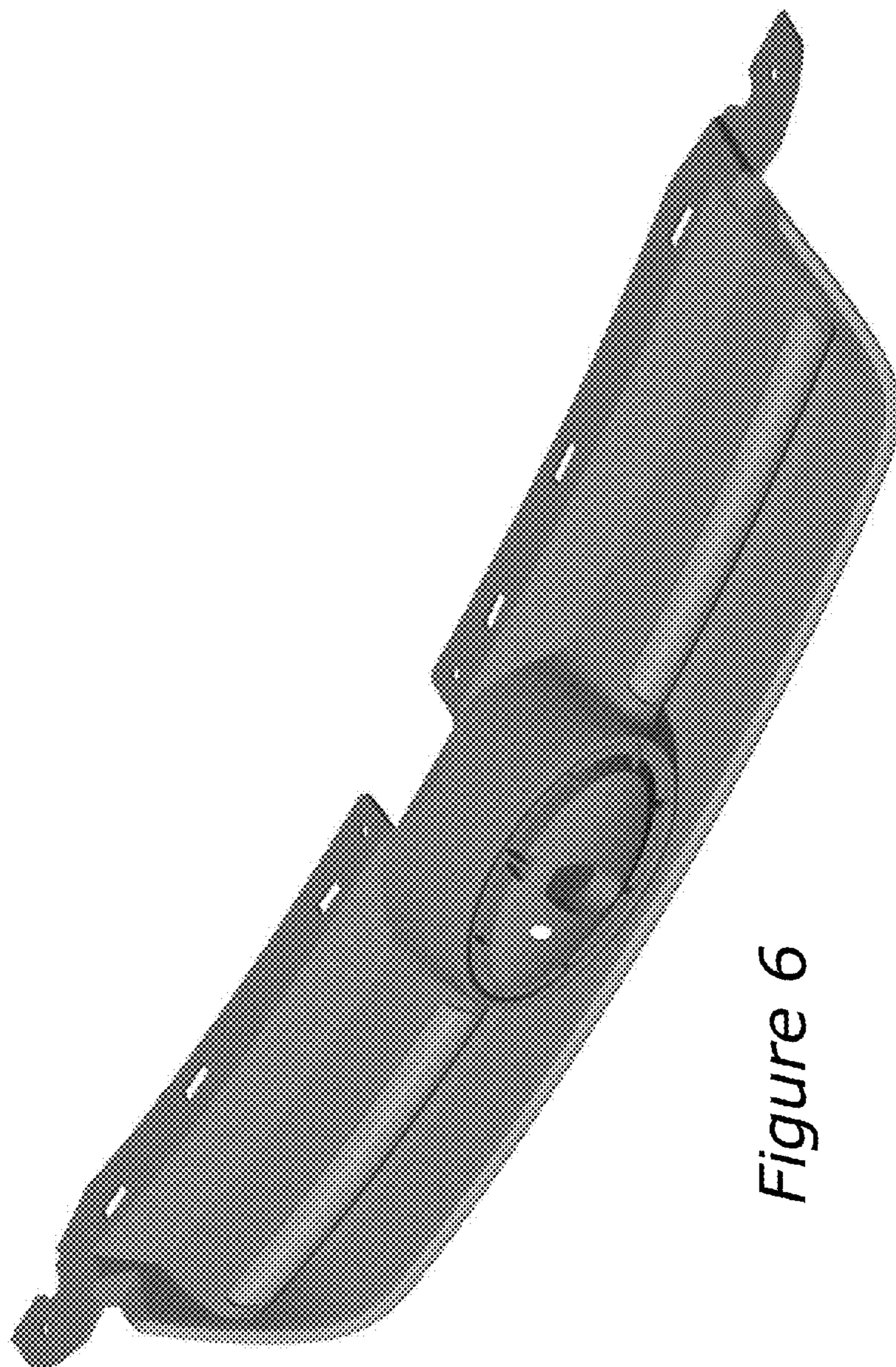


Figure 6

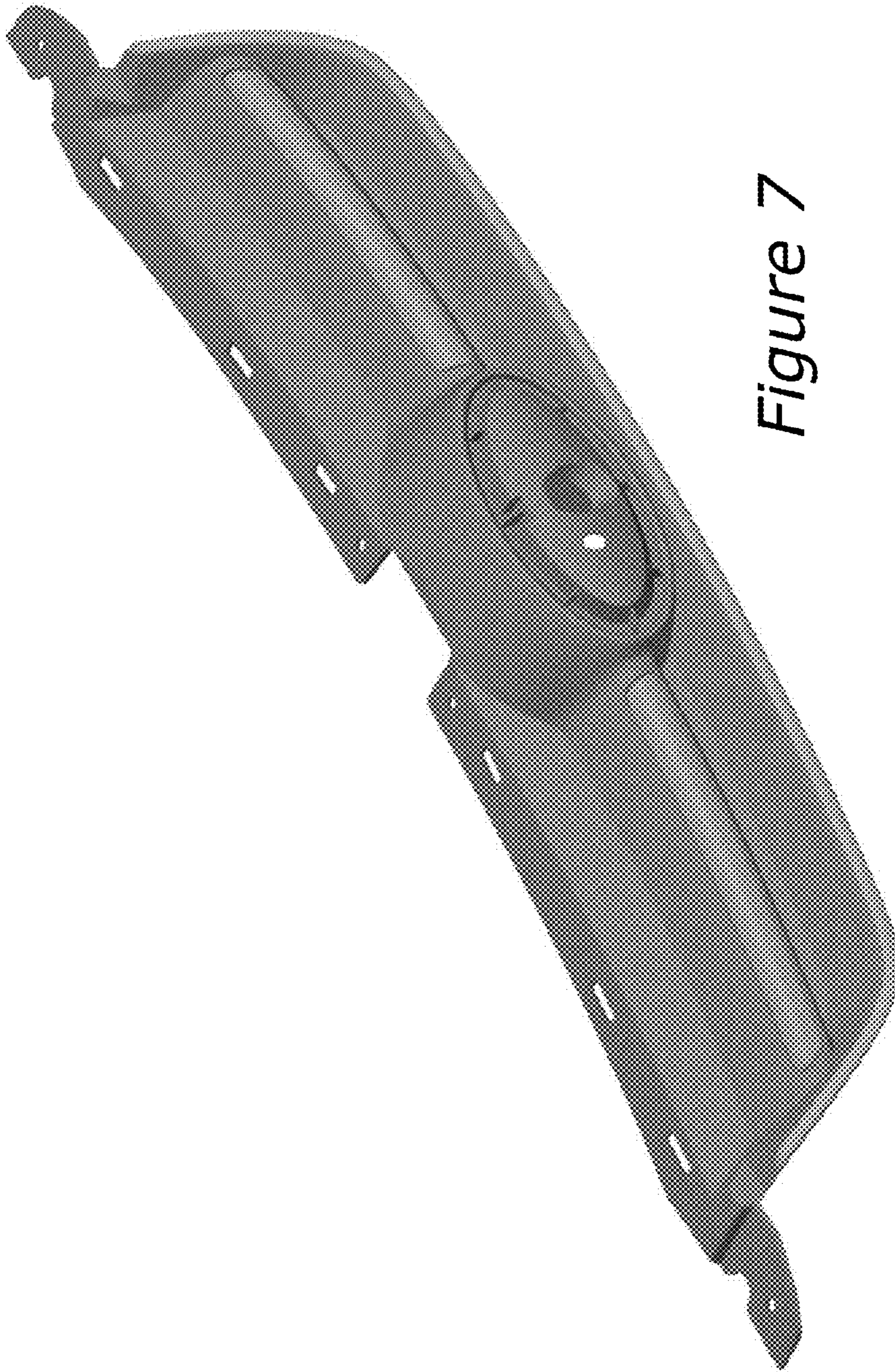


Figure 7