

US00D681511S

(12) **United States Design Patent**  
**Nakamura et al.**

(10) **Patent No.:** **US D681,511 S**

(45) **Date of Patent:** **\*\* May 7, 2013**

(54) **AUTOMOBILE AND/OR REPLICA THEREOF**

D647,430 S \* 10/2011 Nemoto ..... D12/91  
D648,247 S \* 11/2011 Nemoto ..... D12/91  
D671,454 S \* 11/2012 Davidson et al. .... D12/91

(75) Inventors: **Katsuhito Nakamura**, Wako (JP);  
**Kazufumi Oyamada**, Wako (JP)

**FOREIGN PATENT DOCUMENTS**

(73) Assignee: **Honda Motor Co., Ltd.**, Tokyo (JP)

VN 3-0011906-000 9/2006  
VN 3-0010494-000 8/2007

(\*\*) Term: **14 Years**

**OTHER PUBLICATIONS**

(21) Appl. No.: **29/409,498**

Notification of Refusal with translation dated Sep. 20, 2012 issued by the National Office of Industrial Property, Vietnam.

(22) Filed: **Dec. 23, 2011**

\* cited by examiner

(30) **Foreign Application Priority Data**

Jun. 28, 2011 (JP) ..... 2011-014583

*Primary Examiner* — Melody Brown

(51) **LOC (9) Cl.** ..... **12-08**

(74) *Attorney, Agent, or Firm* — Plumsea Law Group, LLC

(52) **U.S. Cl.**  
USPC ..... **D12/91**

(57) **CLAIM**

The ornamental design for, an automobile and/or replica thereof, as shown and described.

(58) **Field of Classification Search** ..... D12/86,  
D12/90–92, 99; D21/424, 433, 434; 296/181.1,  
296/181.5

**DESCRIPTION**

See application file for complete search history.

FIG. 1 is a perspective view of an automobile and/or replica thereof, showing our new design;

FIG. 2 is a perspective view thereof;

FIG. 3 is a front elevation view thereof;

FIG. 4 is a rear elevation view thereof;

FIG. 5 is a top plan view thereof; and,

FIG. 6 is a right side elevation view thereof.

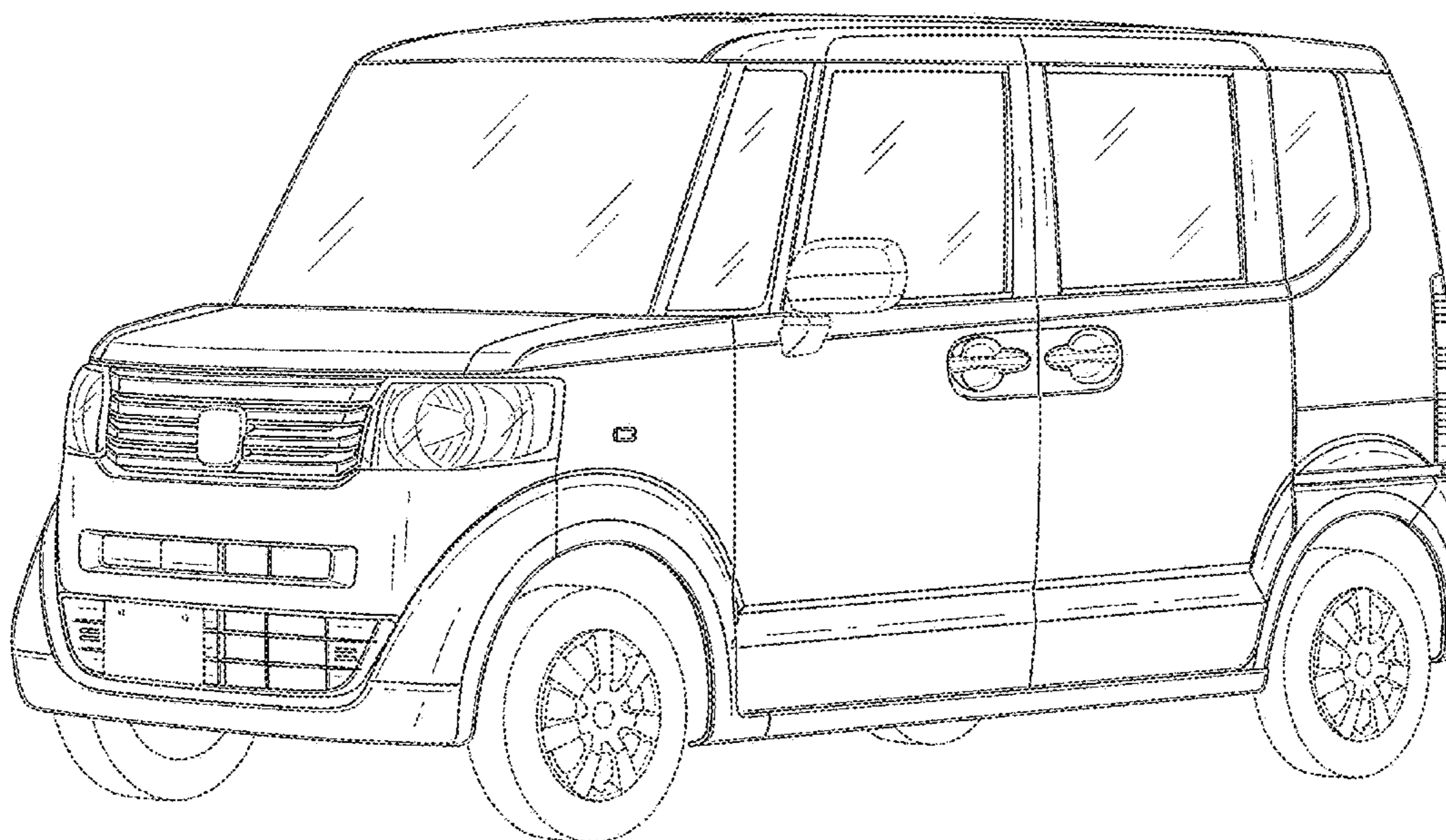
The left side elevation view is a mirror image of the right side elevation view. The broken lines are for illustrative purposes only and form no part of the claimed design.

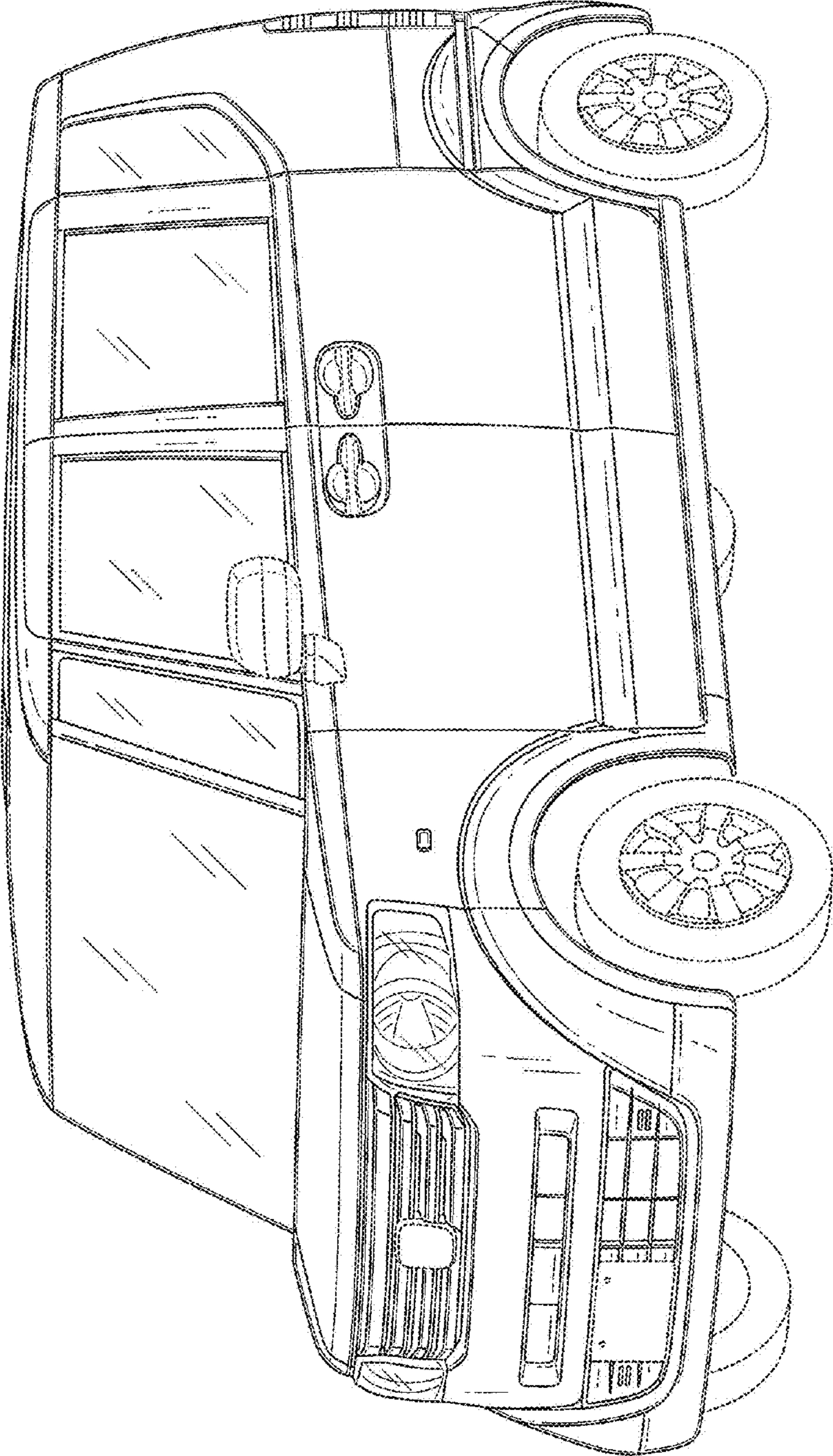
(56) **References Cited**

**U.S. PATENT DOCUMENTS**

D458,188 S \* 6/2002 Wyszogrod et al. .... D12/90  
D605,556 S \* 12/2009 Zheng ..... D12/91  
D605,979 S \* 12/2009 Sahs ..... D12/91  
D618,138 S \* 6/2010 Yamaguchi et al. .... D12/91  
D622,634 S \* 8/2010 Yamamoto et al. .... D12/91  
D638,752 S \* 5/2011 Date et al. .... D12/91

**1 Claim, 5 Drawing Sheets**





*Fig. 1*



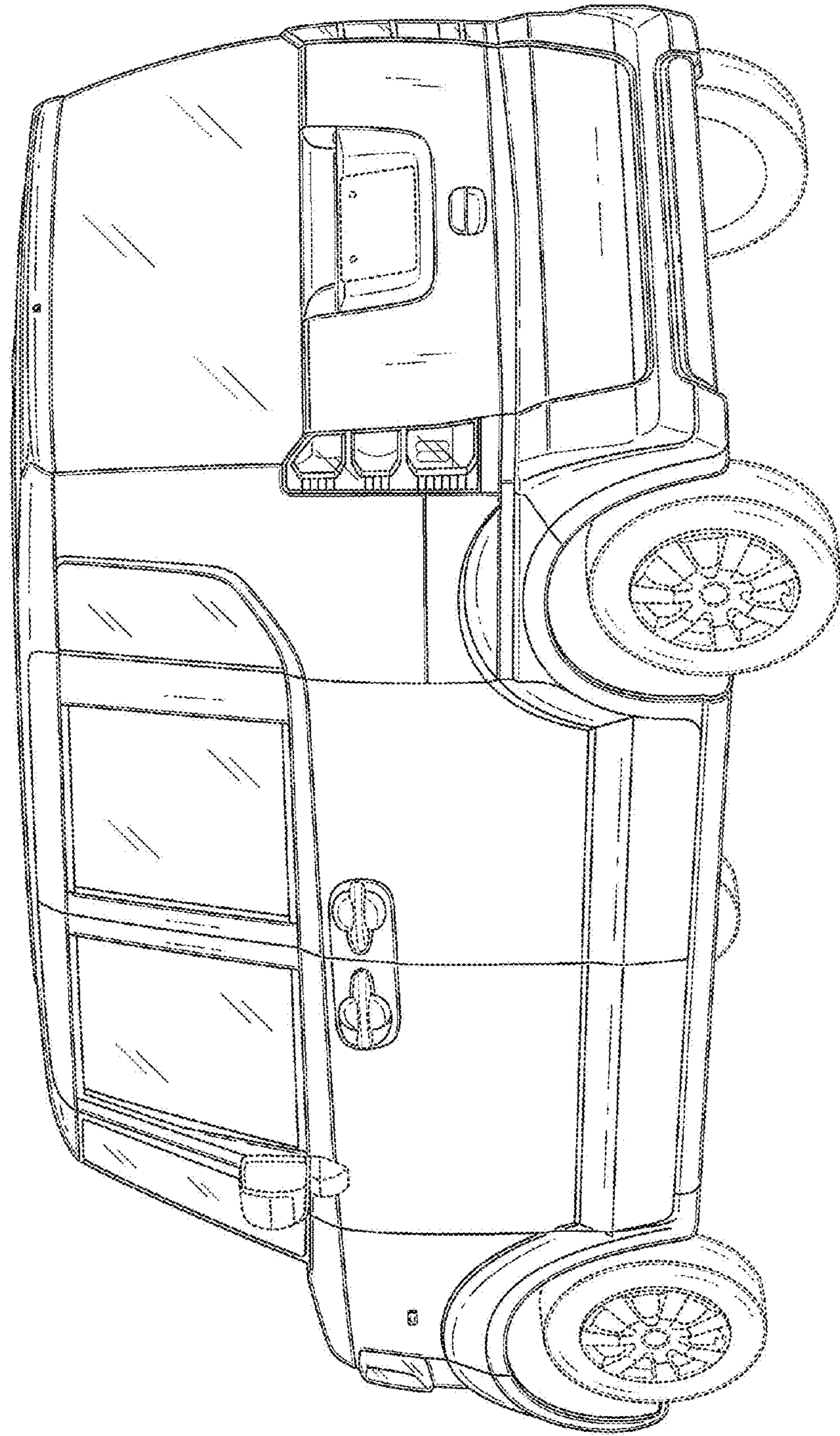


Fig. 2

Fig. 4

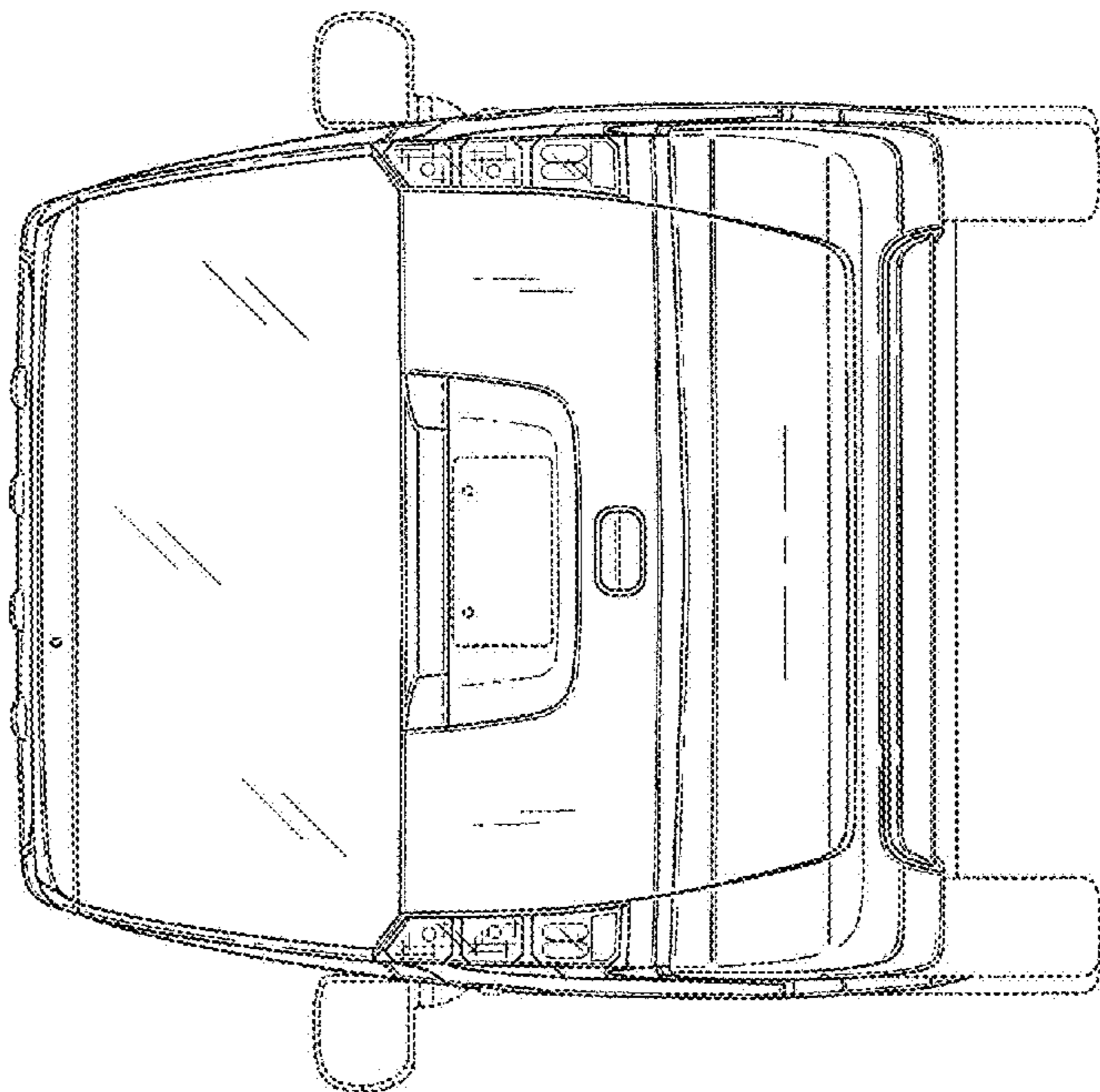
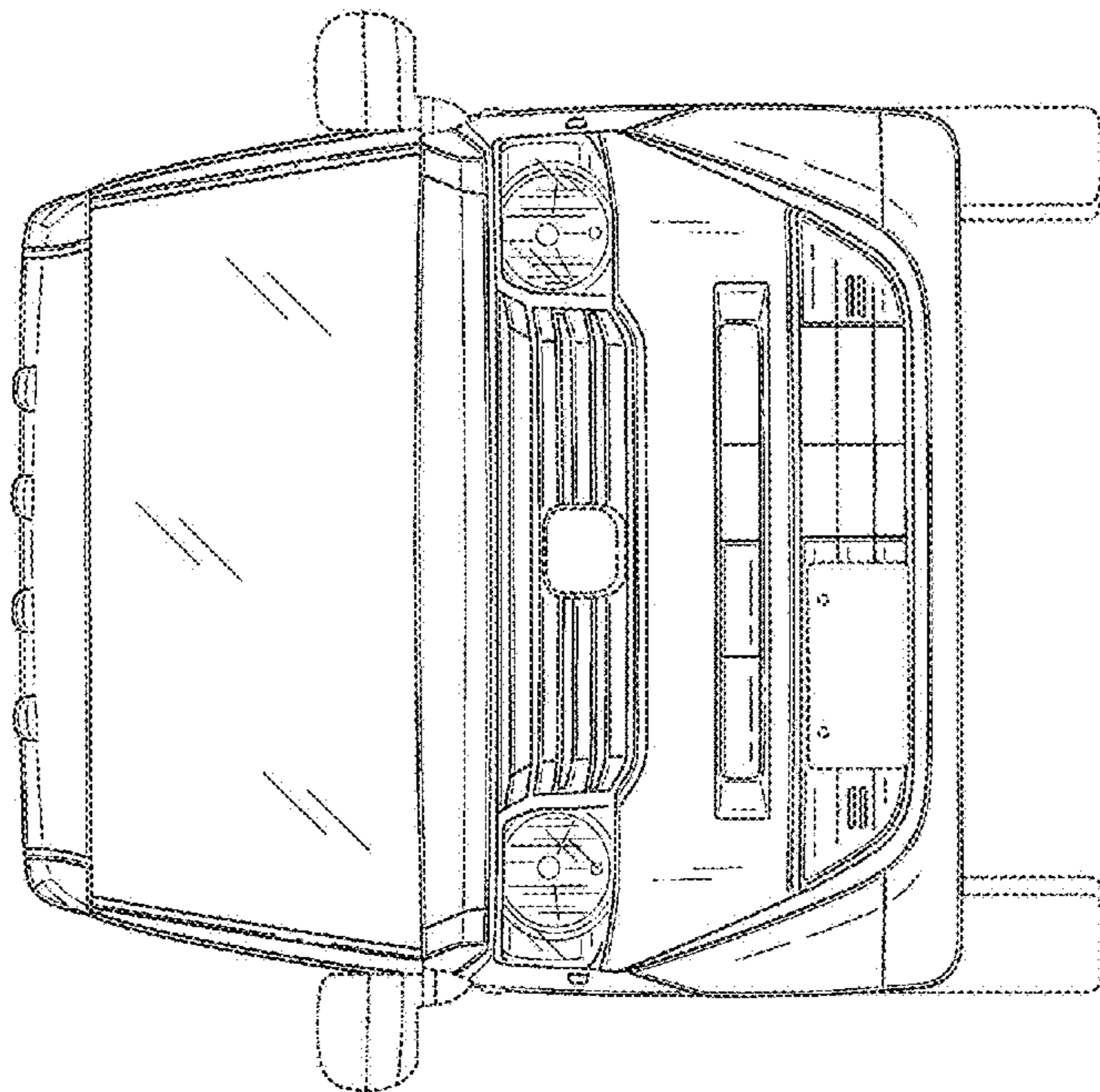
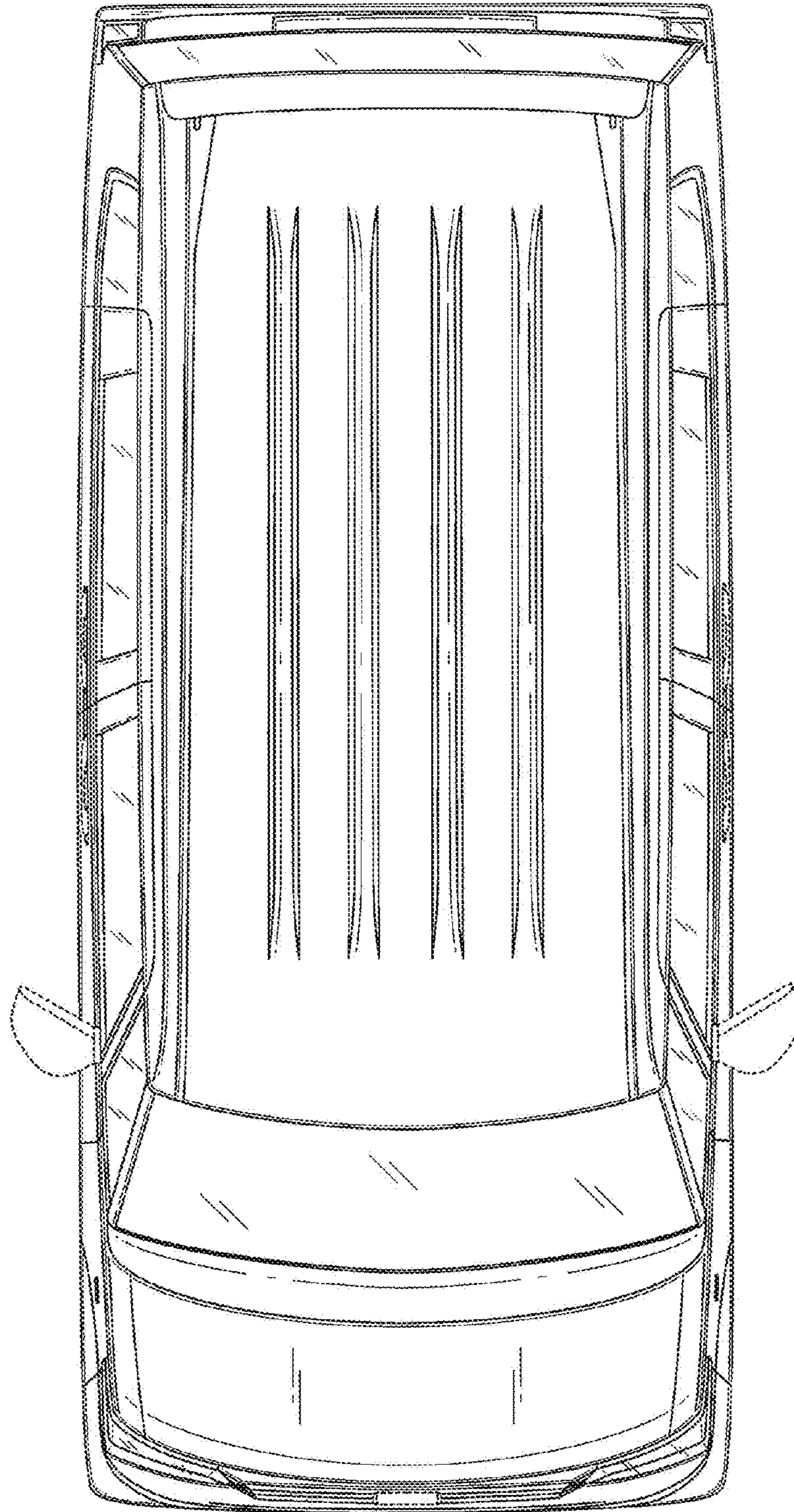


Fig. 3





*Fig. 5*



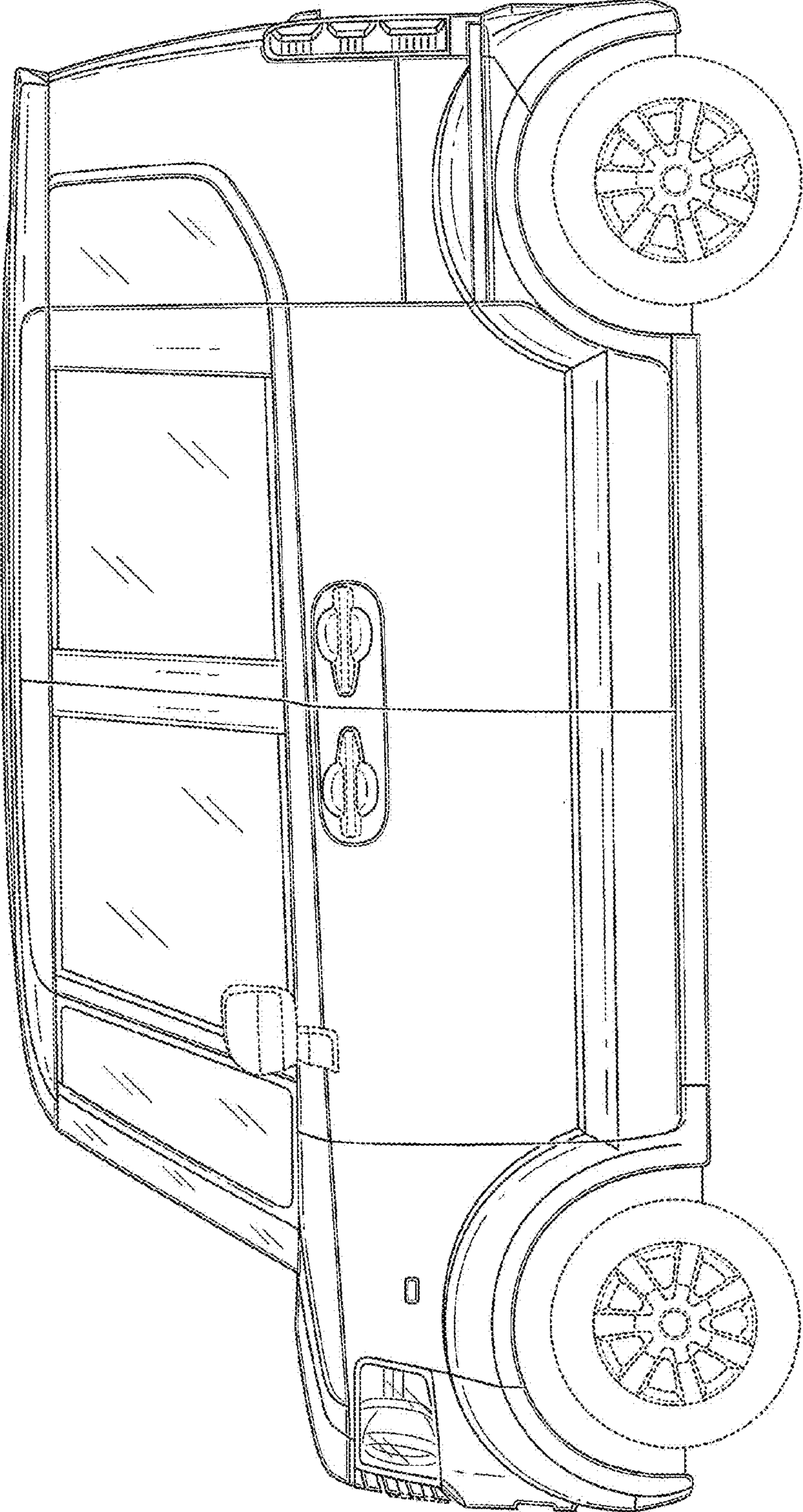


Fig. 6