



US00D681509S

(12) **United States Design Patent**
Remington

(10) **Patent No.:** **US D681,509 S**

(45) **Date of Patent:** **** May 7, 2013**

(54) **RAIL BILLET CASTING WITH WEB TAPER**

Primary Examiner — T. Chase Nelson

Assistant Examiner — Ania Aman

(75) Inventor: **James A. Remington**, Sheffield Village,
OH (US)

(74) *Attorney, Agent, or Firm* — Roger A. Gilcrest

(73) Assignee: **Cleveland Track Material, Inc.**,
Cleveland, OH (US)

(57) **CLAIM**

The ornamental design for a rail billet casting with the web taper, as shown and described.

(**) Term: **14 Years**

DESCRIPTION

(21) Appl. No.: **29/426,910**

(22) Filed: **Jul. 11, 2012**

(51) **LOC (9) Cl.** **12-03**

(52) **U.S. Cl.**
USPC **D12/50**

(58) **Field of Classification Search** D12/50,
D12/51, 49; 238/122, 123, 319; 384/45,
384/15

See application file for complete search history.

FIG. 1 is a top plan view of the rail billet casting with web taper;
FIG. 2 is a bottom plan view of the rail billet casting with web taper;
FIG. 3 is a right side elevation view of the rail billet casting with web taper;
FIG. 4 is a left side elevation view of the rail billet casting with web taper;
FIG. 5 is a rear end elevation view of the rail billet casting with web taper;
FIG. 6 is a front elevation view of the rail billet casting with web taper;
FIG. 7 is a first side point end upper perspective view of the rail billet casting with web taper;
FIG. 8 is a second side point end upper perspective view of the rail billet casting with web taper;
FIG. 9 is a first side heel end upper perspective view of the rail billet casting with web taper; and,
FIG. 10 is a second side heel end upper perspective view of the rail billet casting with web taper.

(56) **References Cited**

U.S. PATENT DOCUMENTS

D33,474	S	*	10/1900	Kofske	D12/50
D640,600	S	*	6/2011	Kishi et al.	D12/50
D642,959	S	*	8/2011	Kishi et al.	D12/50
D643,337	S	*	8/2011	Kishi et al.	D12/50
D643,338	S	*	8/2011	Kishi et al.	D12/50
D644,959	S	*	9/2011	Kishi et al.	D12/50
2008/0260306	A1	*	10/2008	Kuwabara	384/15
2009/0310892	A1	*	12/2009	Chen et al.	384/15

* cited by examiner

1 Claim, 10 Drawing Sheets



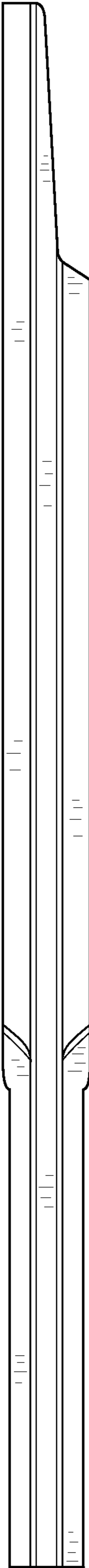


FIG. 1

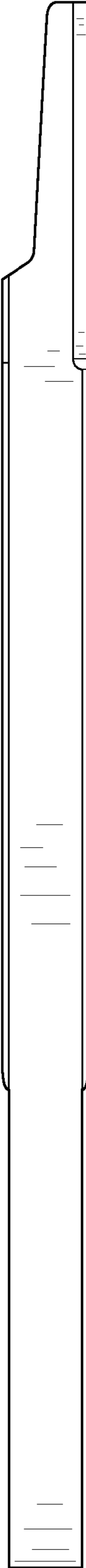


FIG. 2

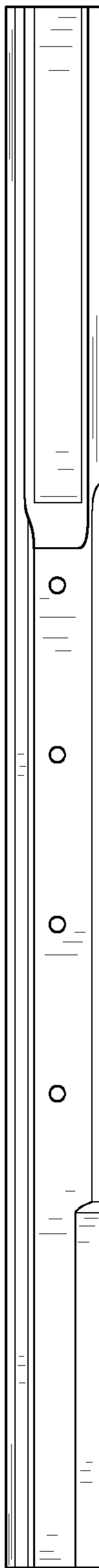


FIG. 3

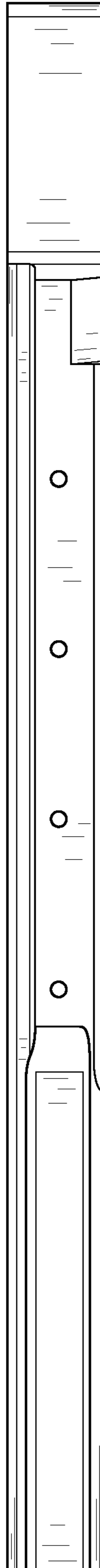


FIG. 4

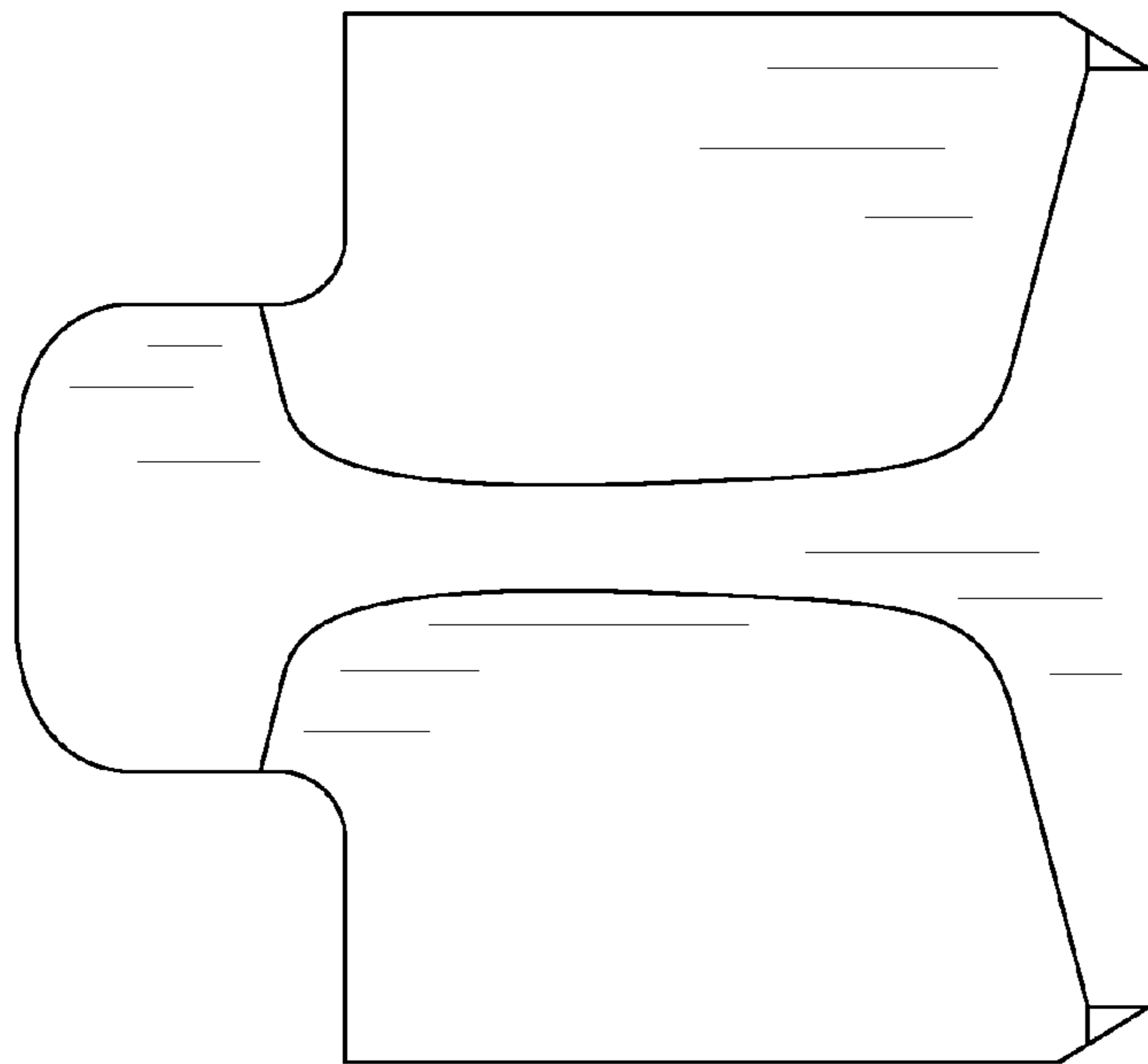


FIG. 5

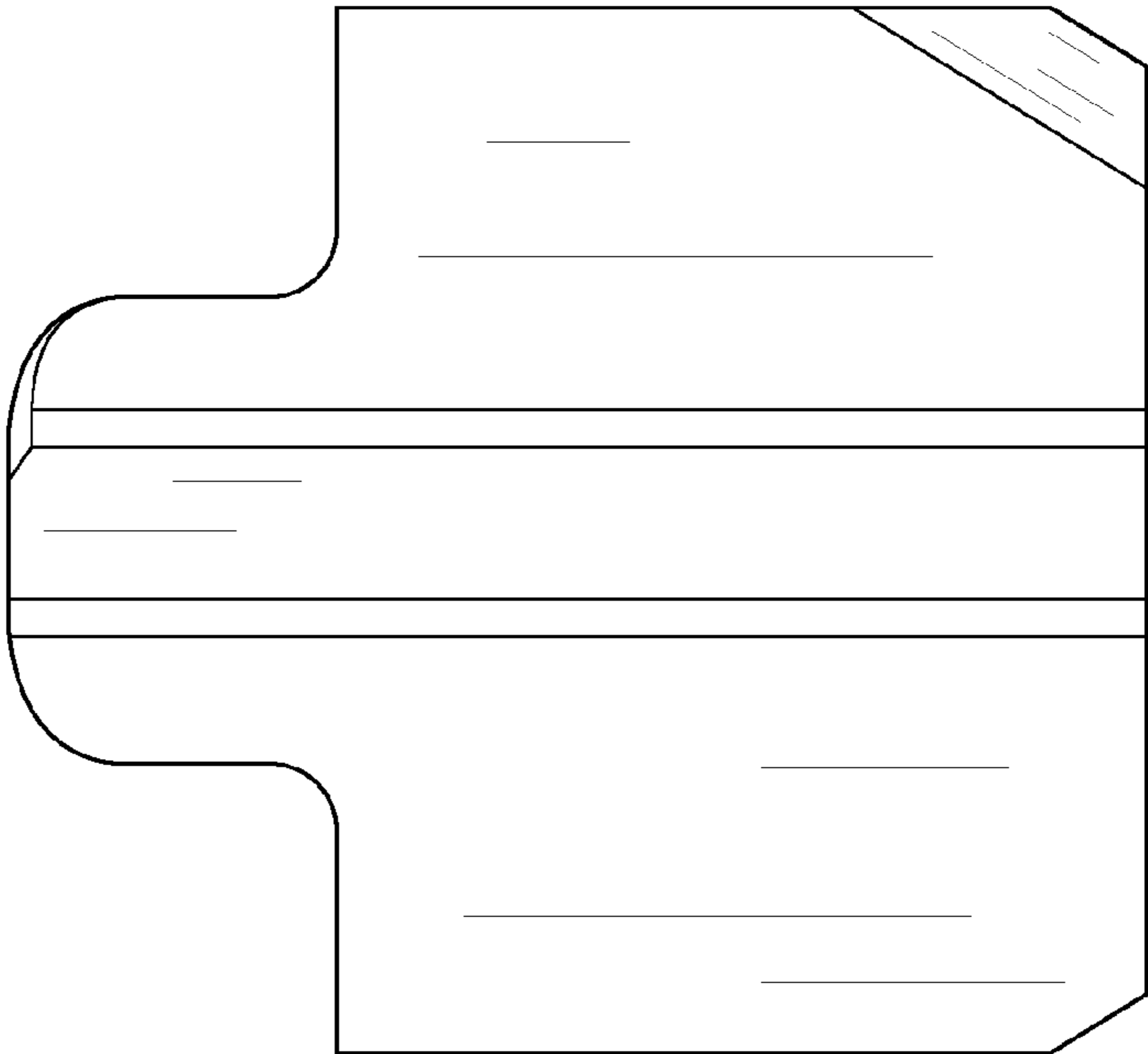


FIG. 6

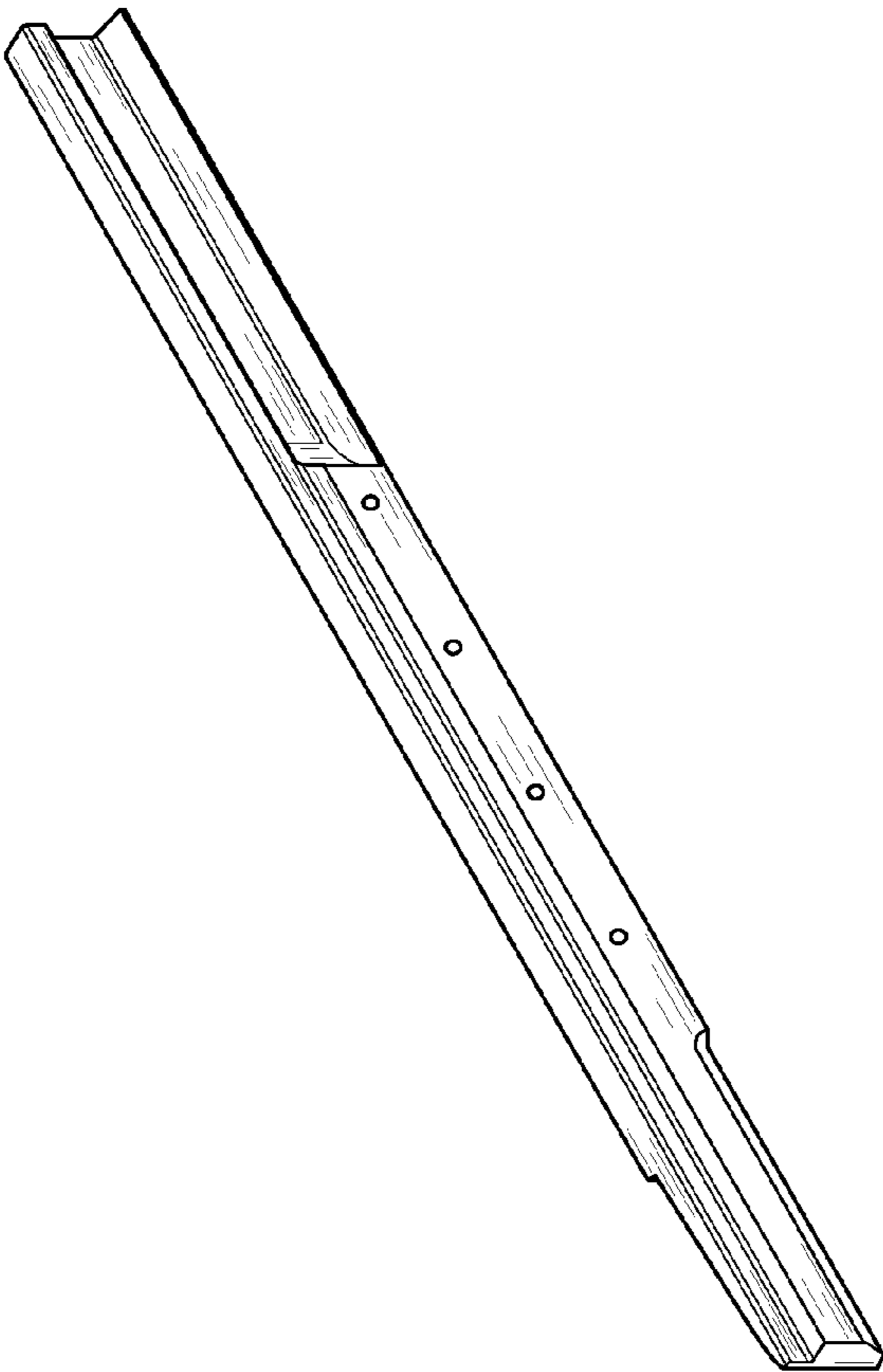


FIG. 7

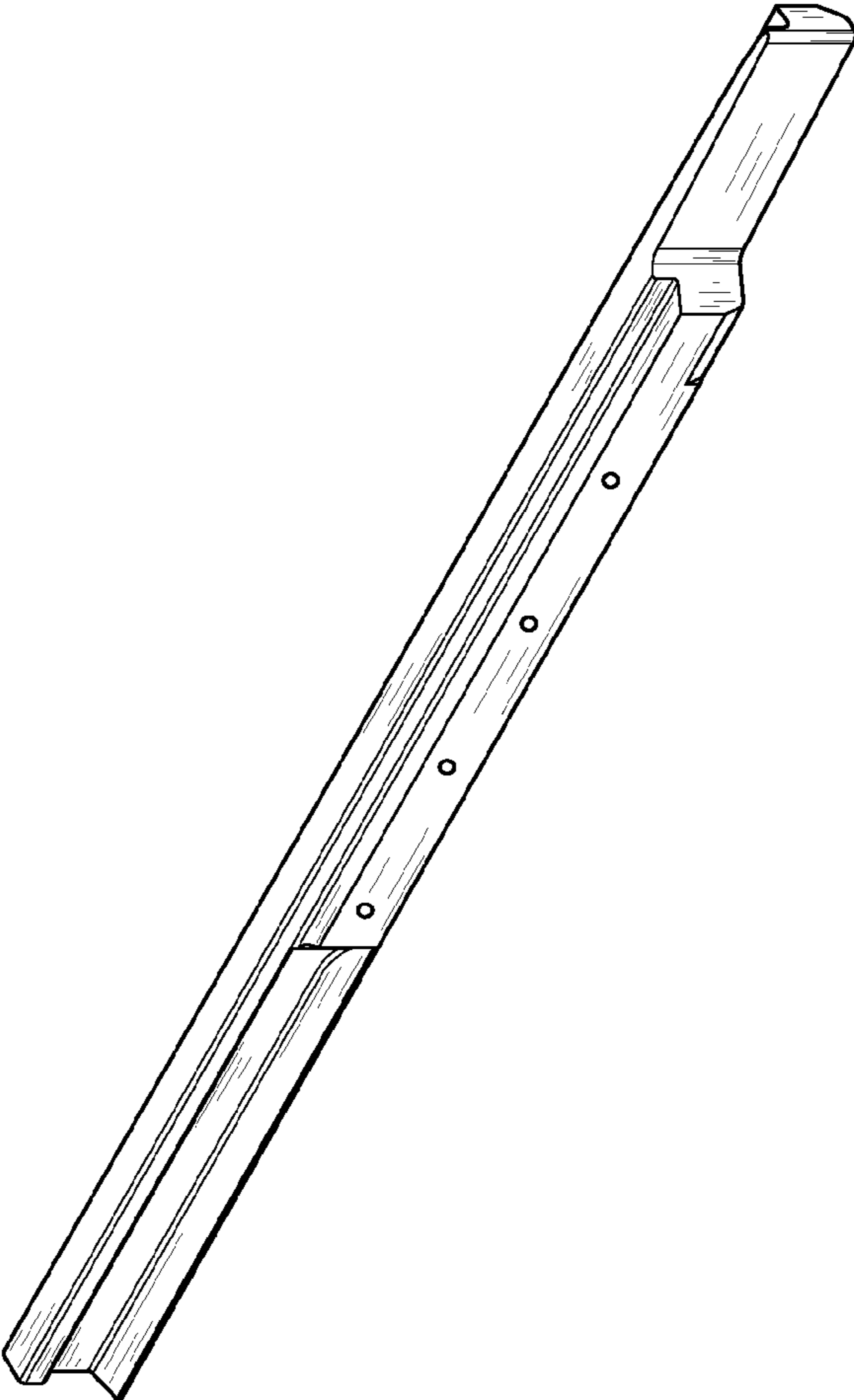


FIG. 8

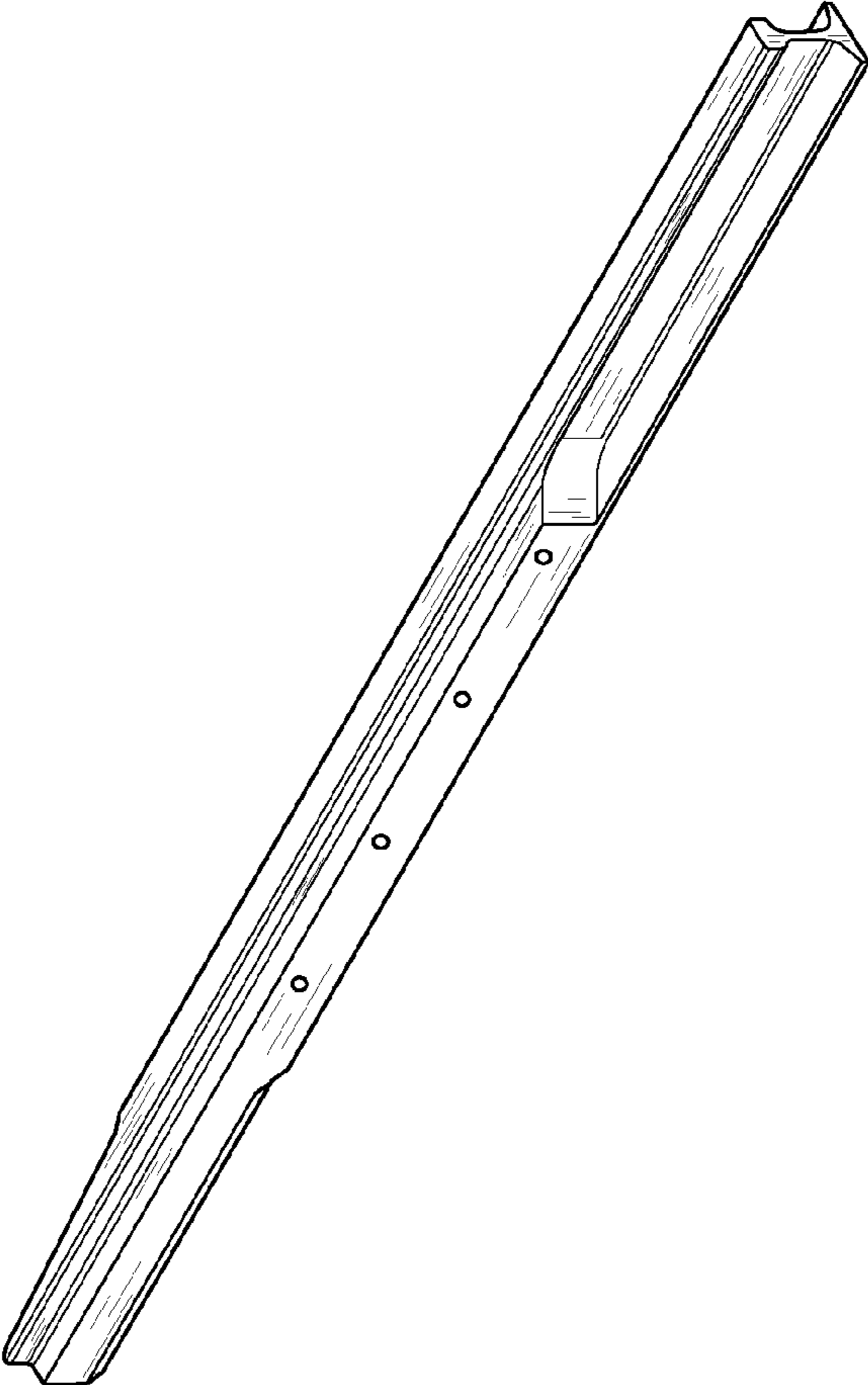


FIG. 9

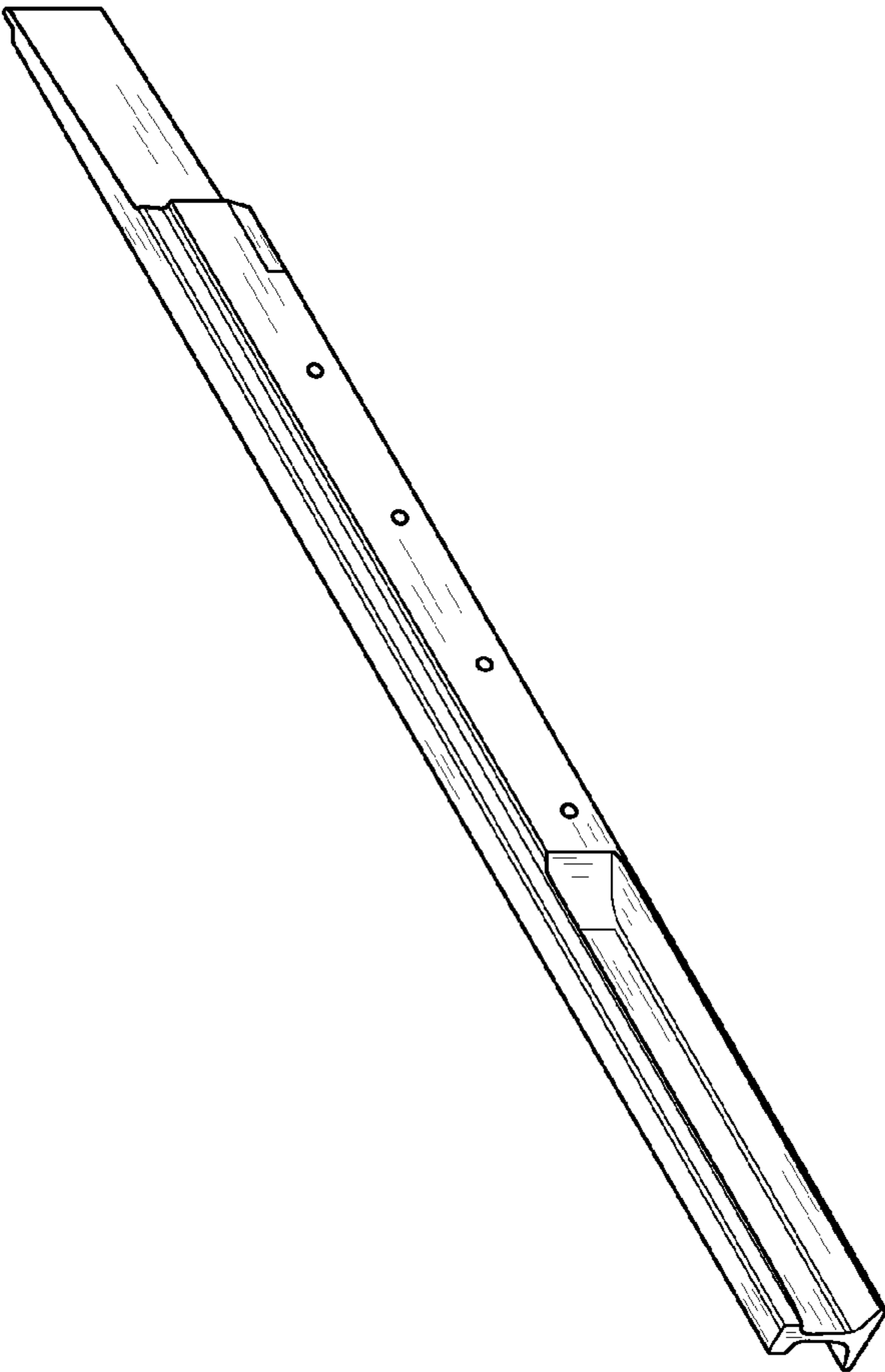


FIG. 10