



US00D681506S

(12) **United States Design Patent**  
**Kolasa**

(10) **Patent No.:** **US D681,506 S**  
(45) **Date of Patent:** **\*\* May 7, 2013**

- (54) **BUCKLE**
- (71) Applicant: **Illinois Tool Works Inc.**, Glenview, IL (US)
- (72) Inventor: **Scott D. Kolasa**, Mount Prospect, IL (US)
- (73) Assignee: **Illinois Tool Works Inc.**, Glenview, IL (US)

|                |        |                     |         |
|----------------|--------|---------------------|---------|
| D519,406 S *   | 4/2006 | Merrill et al. .... | D11/216 |
| D535,214 S *   | 1/2007 | Kolasa .....        | D11/216 |
| 7,520,036 B1 * | 4/2009 | Baldwin et al. .... | 24/635  |
| D592,543 S     | 5/2009 | Kolasa              |         |
| D599,701 S *   | 9/2009 | Jacobs et al. ....  | D11/216 |
| D612,764 S *   | 3/2010 | Mountz et al. ....  | D11/216 |
| D632,214 S     | 2/2011 | Buscart             |         |
| D632,611 S     | 2/2011 | Buscart             |         |
| D637,518 S *   | 5/2011 | Chen .....          | D11/216 |
| 7,992,269 B2 * | 8/2011 | Patrizi et al. .... | 24/633  |
| D655,223 S *   | 3/2012 | Hadlow et al. ....  | D11/216 |
| D661,619 S *   | 6/2012 | Hadlow et al. ....  | D11/216 |

(\*\*) Term: **14 Years**

\* cited by examiner

(21) Appl. No.: **29/433,154**

*Primary Examiner* — Ralf Seifert

(22) Filed: **Sep. 26, 2012**

(74) *Attorney, Agent, or Firm* — Mark W. Croll; Paul F. Donovan

(51) **LOC (9) Cl.** ..... **02-07**

(57) **CLAIM**

(52) **U.S. Cl.**  
USPC ..... **D11/216**

The ornamental design for a buckle, as shown and described.

(58) **Field of Classification Search** ..... D11/1-2,  
D11/200-201, 206-210, 214-218; 24/163 R,  
24/169-171, 173, 177-179, 191, 194-195,  
24/197, 200, 614-616, 625, 635, 650  
See application file for complete search history.

**DESCRIPTION**

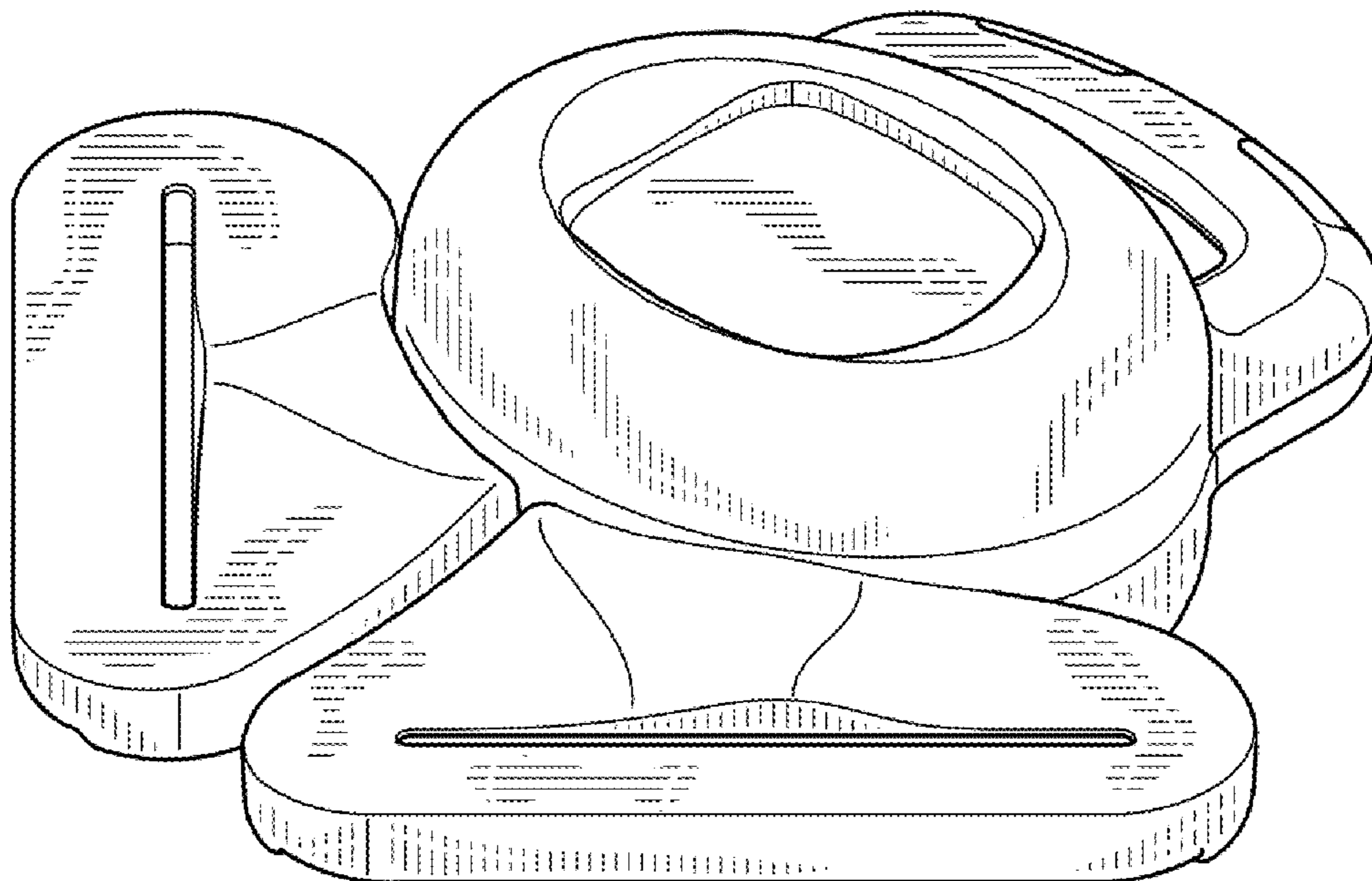
FIG. 1 is a perspective view of the buckle showing the new design;  
FIG. 2 is a front view thereof;  
FIG. 3 is a back view thereof;  
FIG. 4 is a top view thereof;  
FIG. 5 is a bottom view thereof;  
FIG. 6 is a left side view thereof; and,  
FIG. 7 is a right side view thereof.

(56) **References Cited**

U.S. PATENT DOCUMENTS

|                |         |                     |         |
|----------------|---------|---------------------|---------|
| D364,124 S *   | 11/1995 | Lortz et al. ....   | D11/216 |
| 6,868,591 B2 * | 3/2005  | Dingman et al. .... | 24/615  |
| D515,456 S *   | 2/2006  | Gastaldi .....      | D11/216 |

**1 Claim, 4 Drawing Sheets**



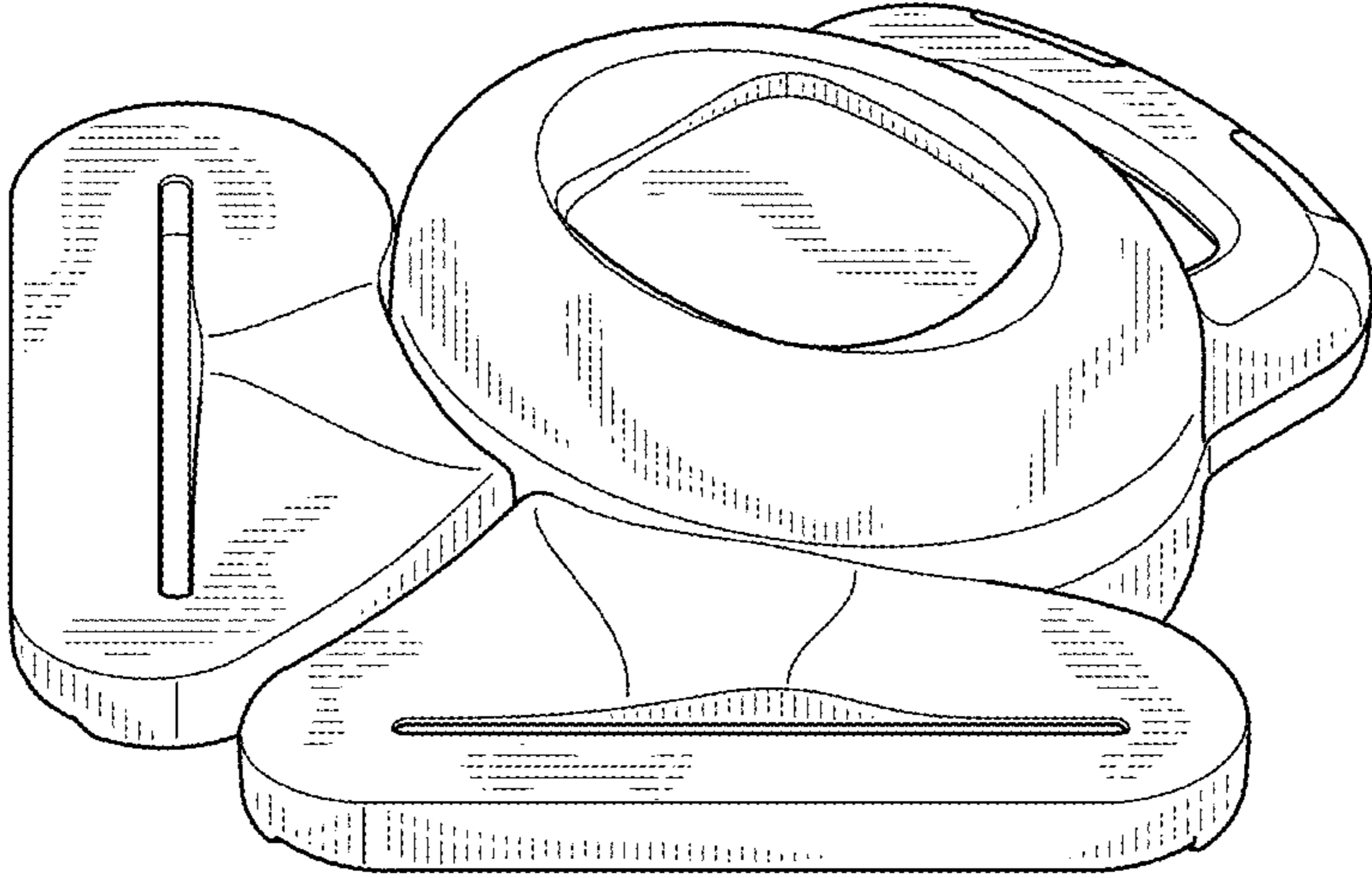


FIG. 1

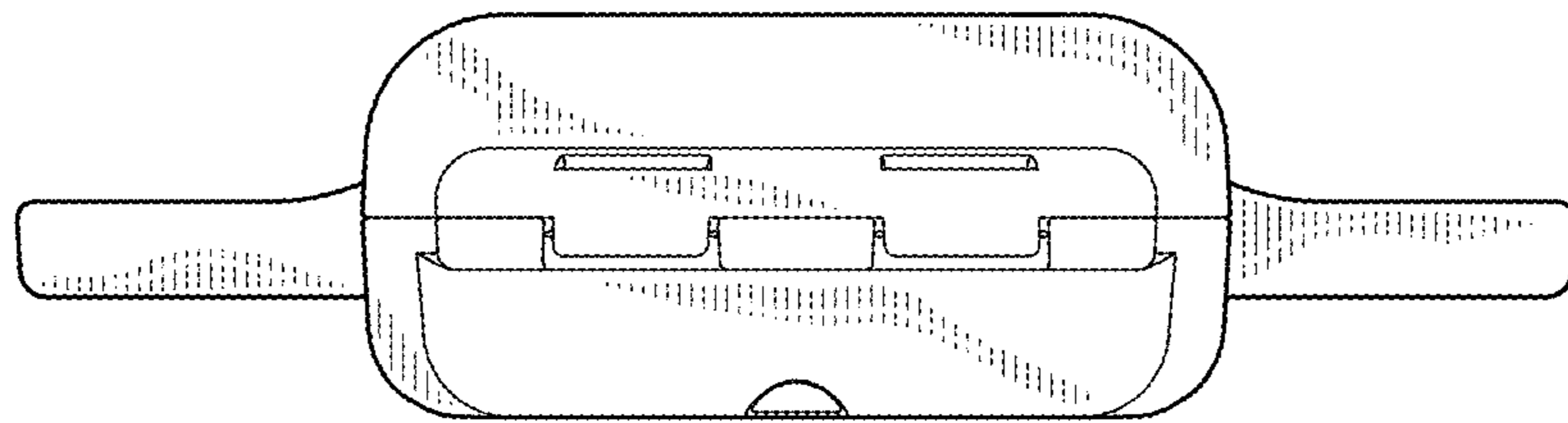


FIG. 2

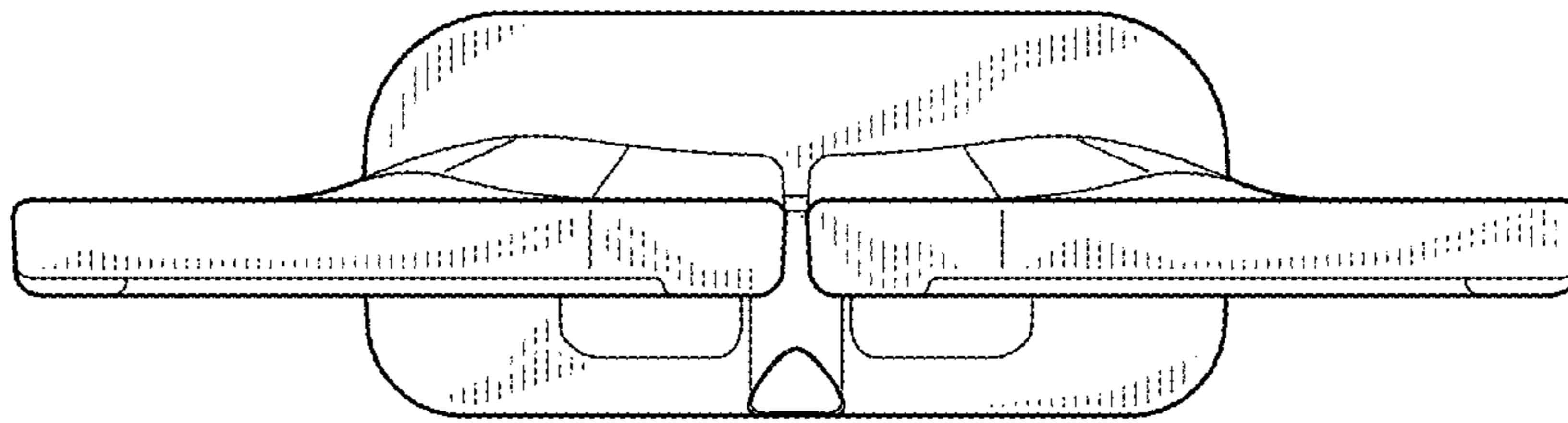


FIG. 3

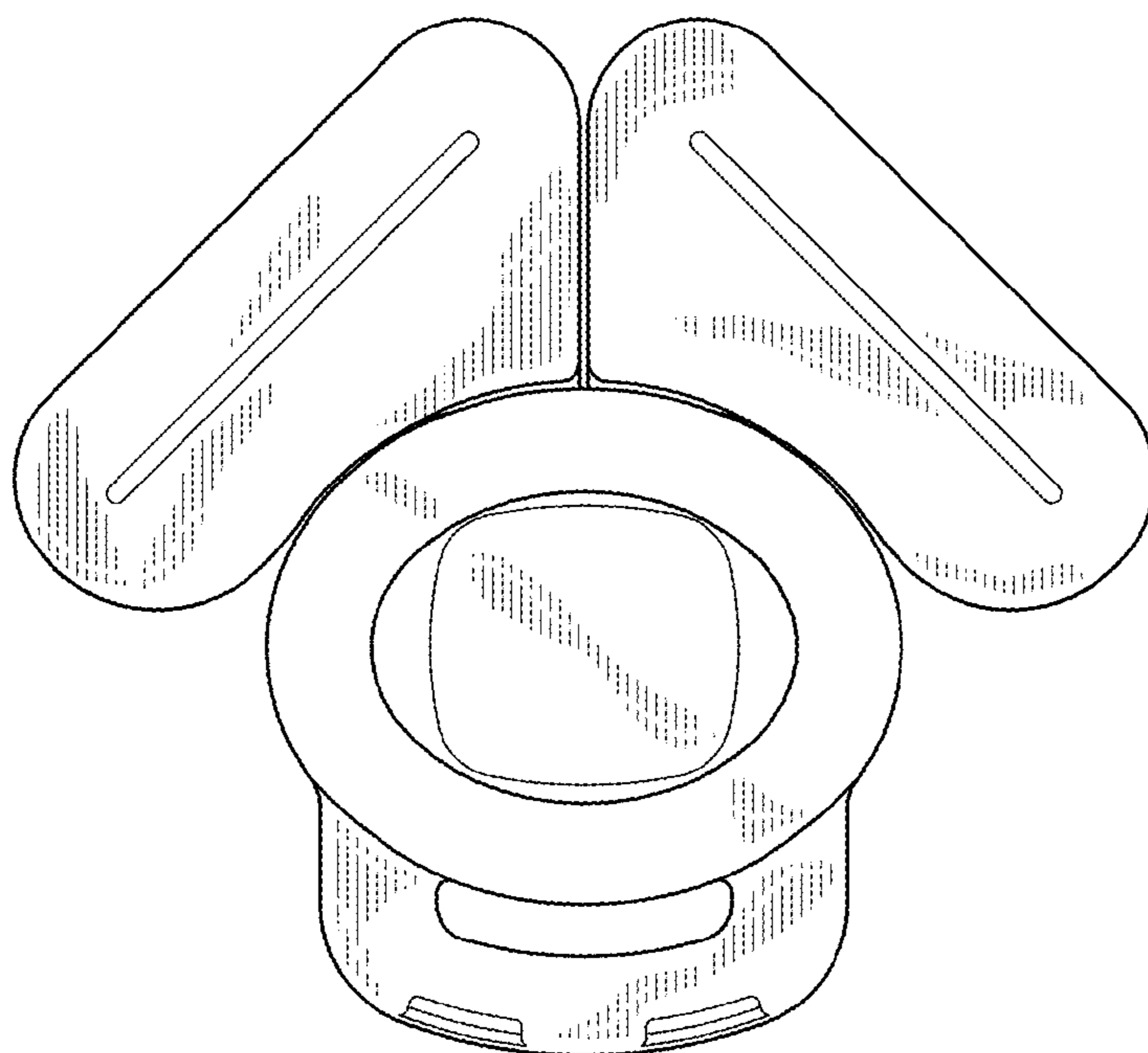


FIG. 4

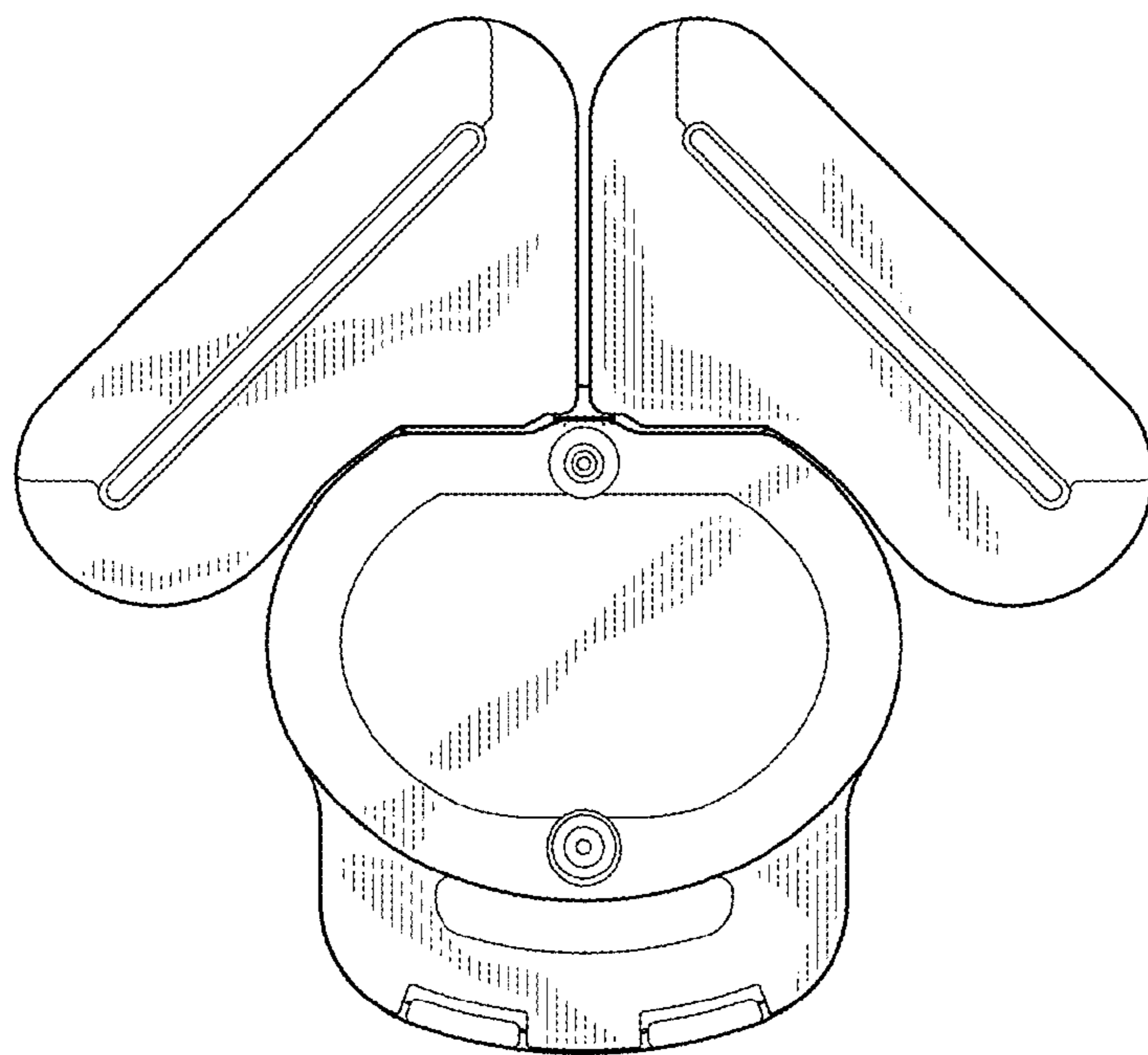


FIG. 5

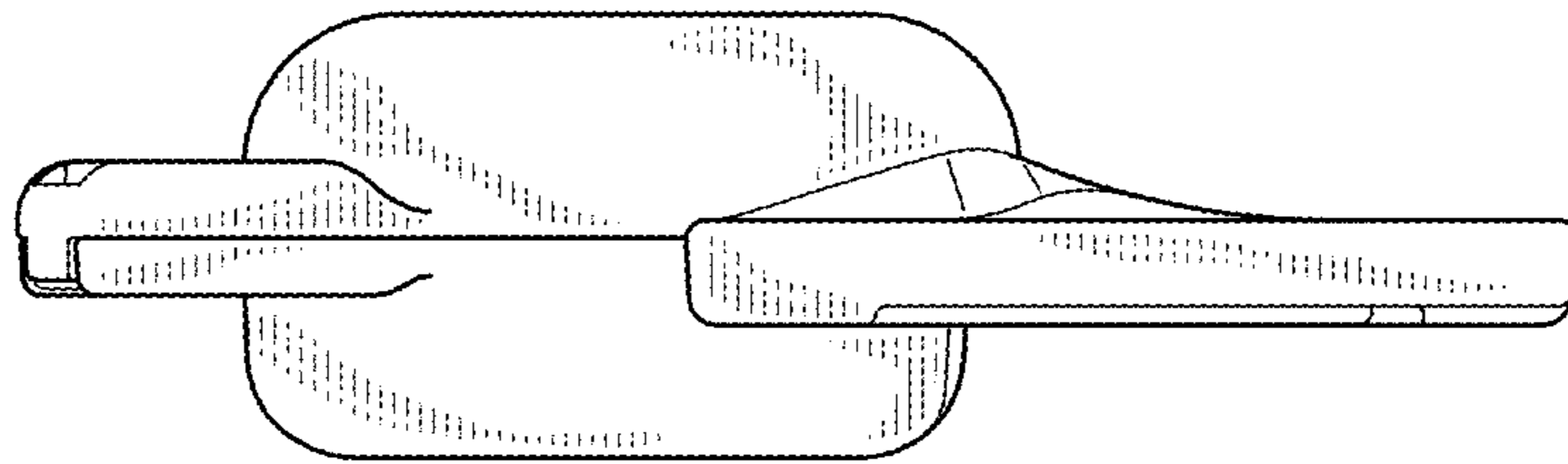


FIG. 6

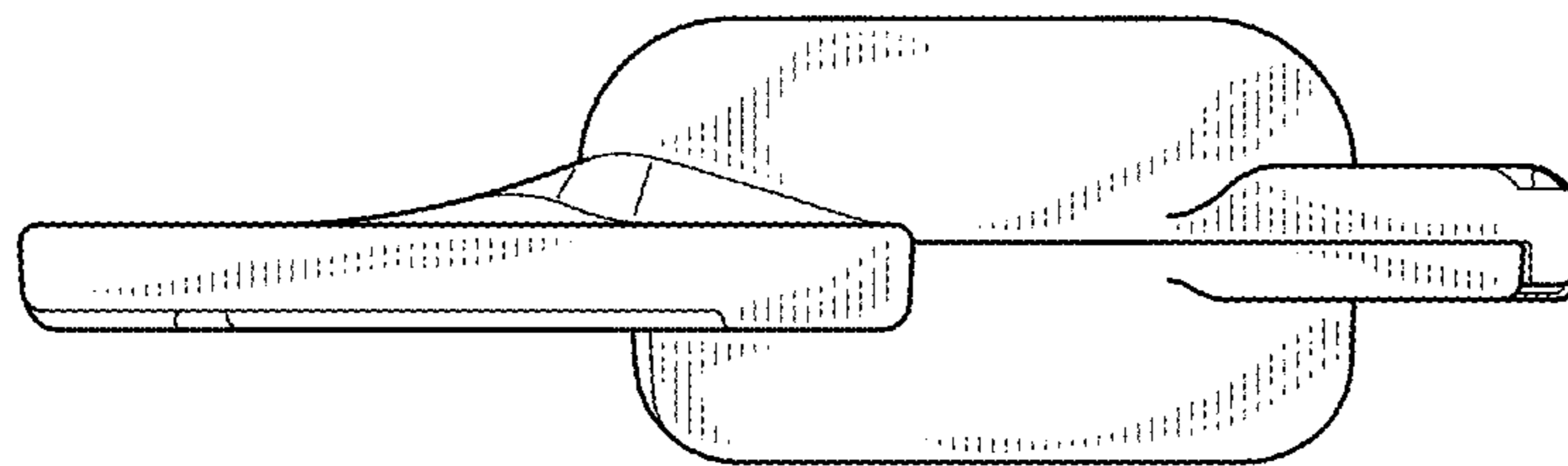


FIG. 7