



US00D681505S

(12) **United States Design Patent**
Grimm et al.

(10) **Patent No.:** **US D681,505 S**

(45) **Date of Patent:** **** May 7, 2013**

(54) **WEB MOUNTED HOUSING**

(75) Inventors: **Michael B. Grimm**, Evanston, IL (US);
Martin J. Nilsen, Hampshire, IL (US)

(73) Assignee: **Illinois Tool Works Inc.**, Glenview, IL (US)

(**) Term: **14 Years**

(21) Appl. No.: **29/424,805**

(22) Filed: **Jun. 15, 2012**

(51) **LOC (9) Cl.** **02-07**

(52) **U.S. Cl.**
USPC **D11/216**

(58) **Field of Classification Search** D11/1-2,
D11/200-201, 206-210, 214-218; 24/163 R,
24/169-171, 173, 177-179, 191, 194-195,
24/197, 200, 614-616, 625
See application file for complete search history.

(56) **References Cited**

U.S. PATENT DOCUMENTS

D524,694 S * 7/2006 Funo et al. D11/216
D560,551 S * 1/2008 Uehara D11/216

D616,331 S * 5/2010 Anscher D11/216
D619,043 S * 7/2010 Uehara D11/216
D634,670 S * 3/2011 Takazakura D11/216
D635,891 S * 4/2011 Grimm et al. D11/216
D671,445 S * 11/2012 Paik et al. D11/216

* cited by examiner

Primary Examiner — Ralf Seifert

(74) *Attorney, Agent, or Firm* — Mark W. Croll; Paul F. Donovan

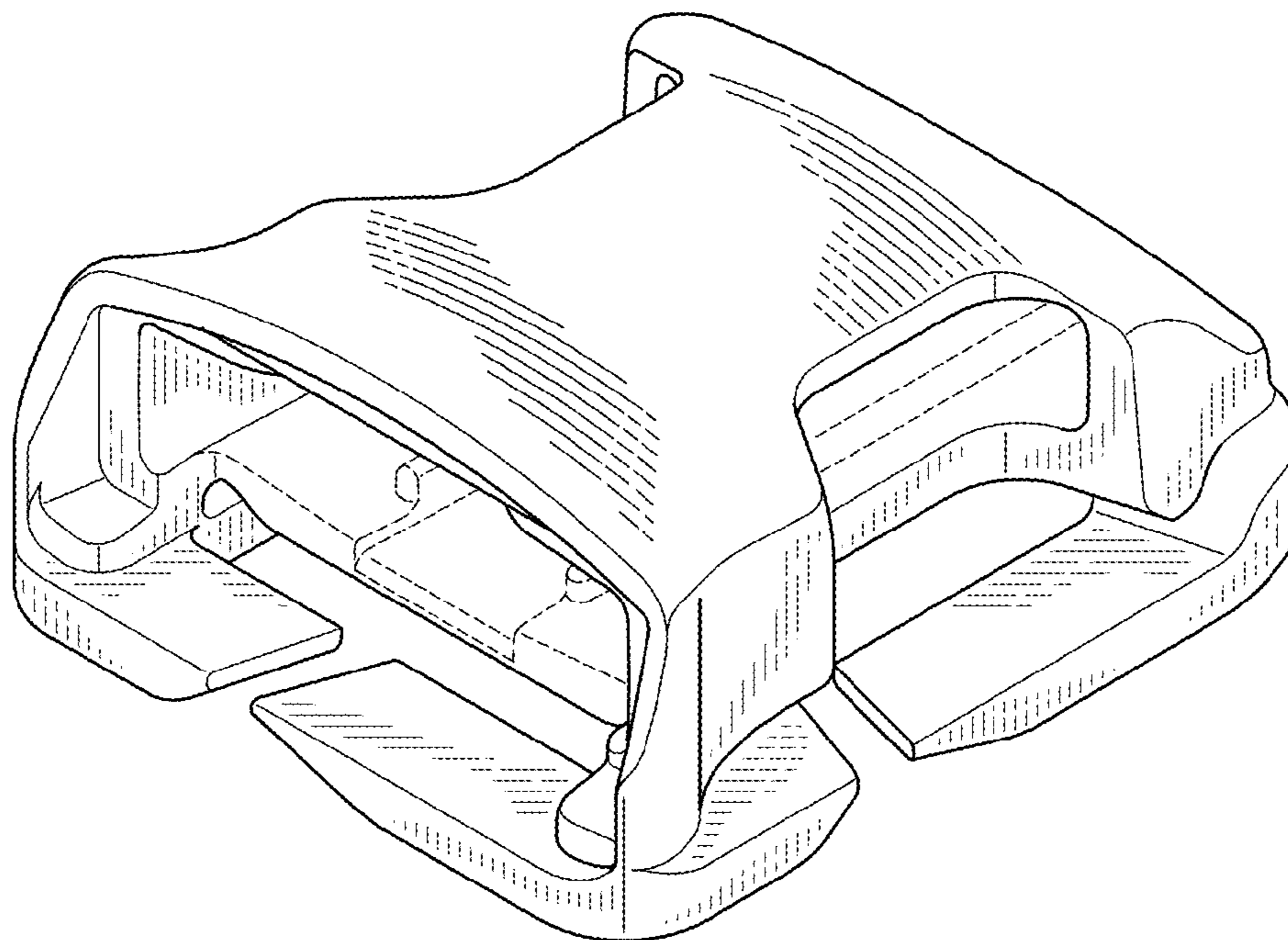
(57) **CLAIM**

The ornamental design for a web mounted housing, as shown and described.

DESCRIPTION

FIG. 1 is a perspective view of a web mounted housing showing the new design;
FIG. 2 is a back end view thereof;
FIG. 3 is a front end view thereof;
FIG. 4 is a left side view thereof;
FIG. 5 is a right side view thereof;
FIG. 6 is a top view thereof; and,
FIG. 7 is a bottom view thereof.

1 Claim, 4 Drawing Sheets



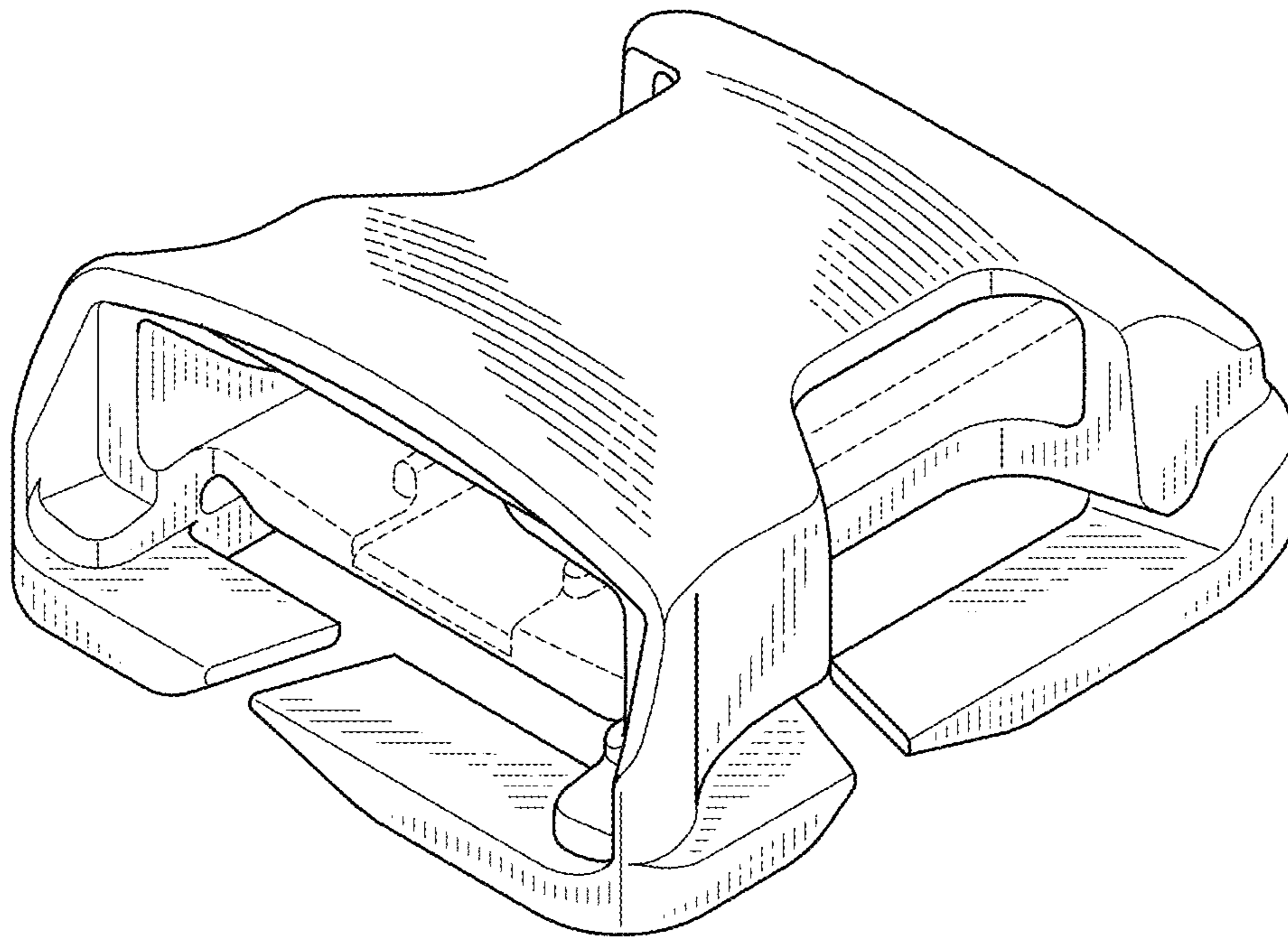


FIG. 1

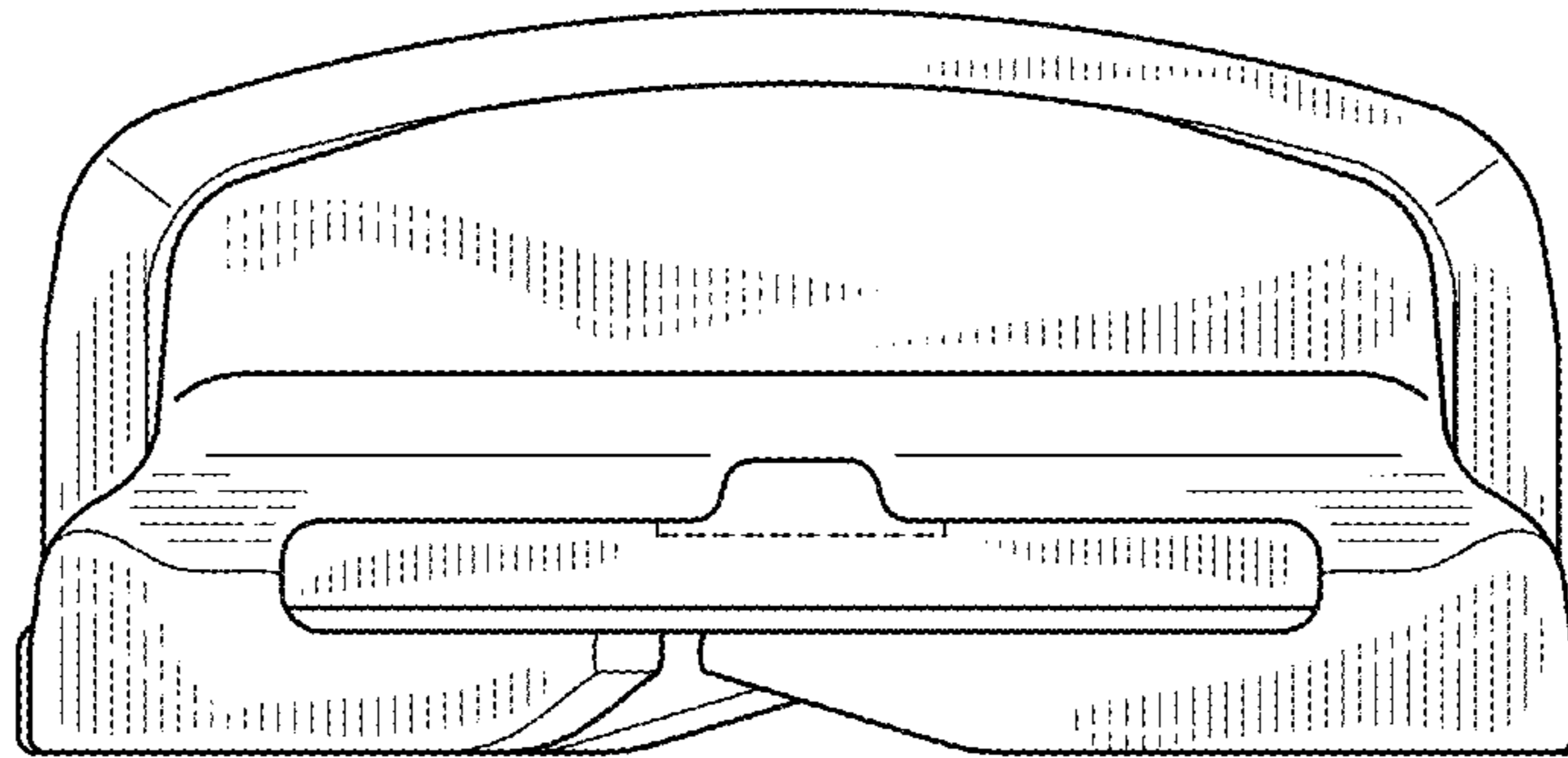


FIG. 2

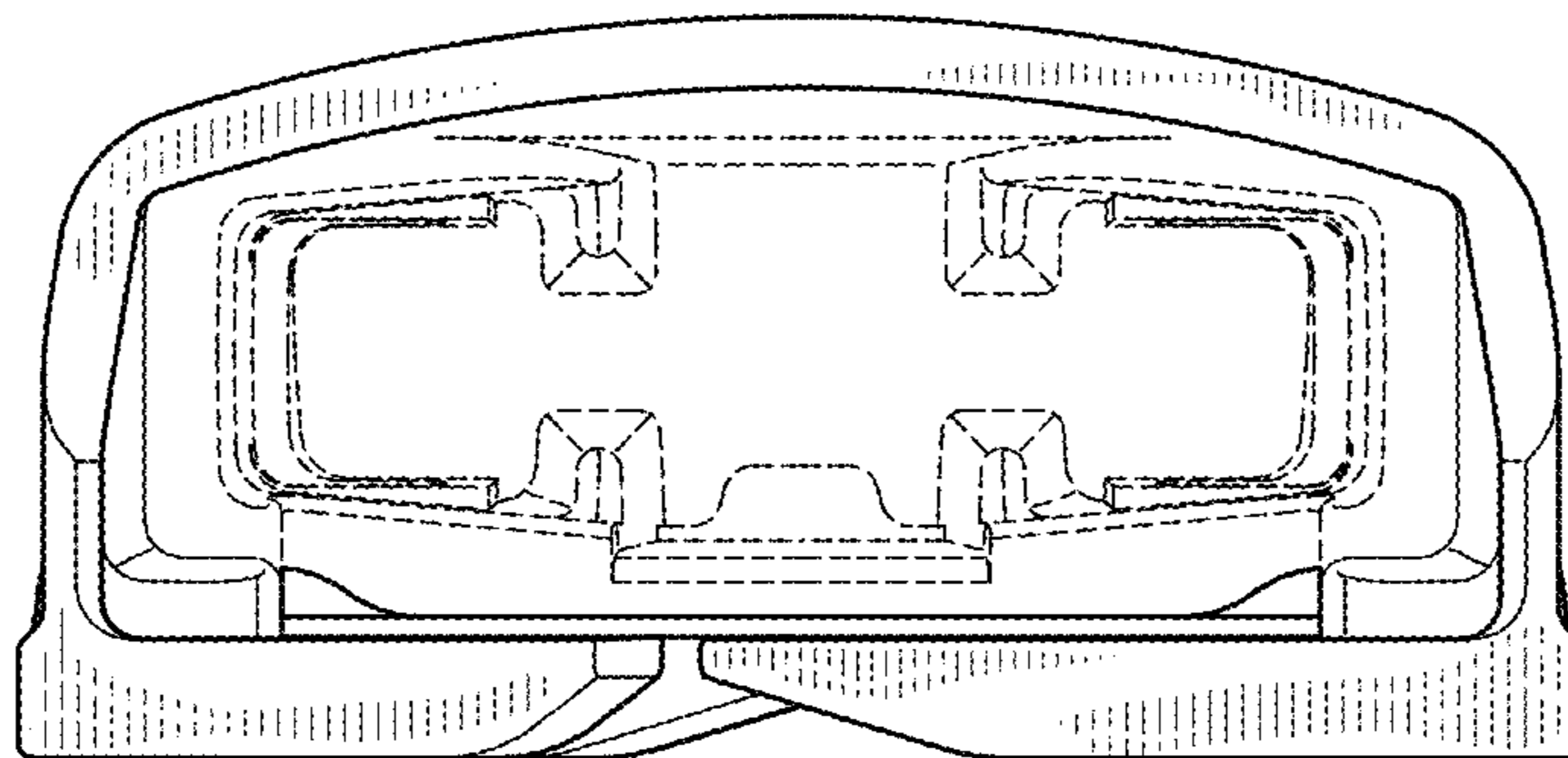


FIG. 3

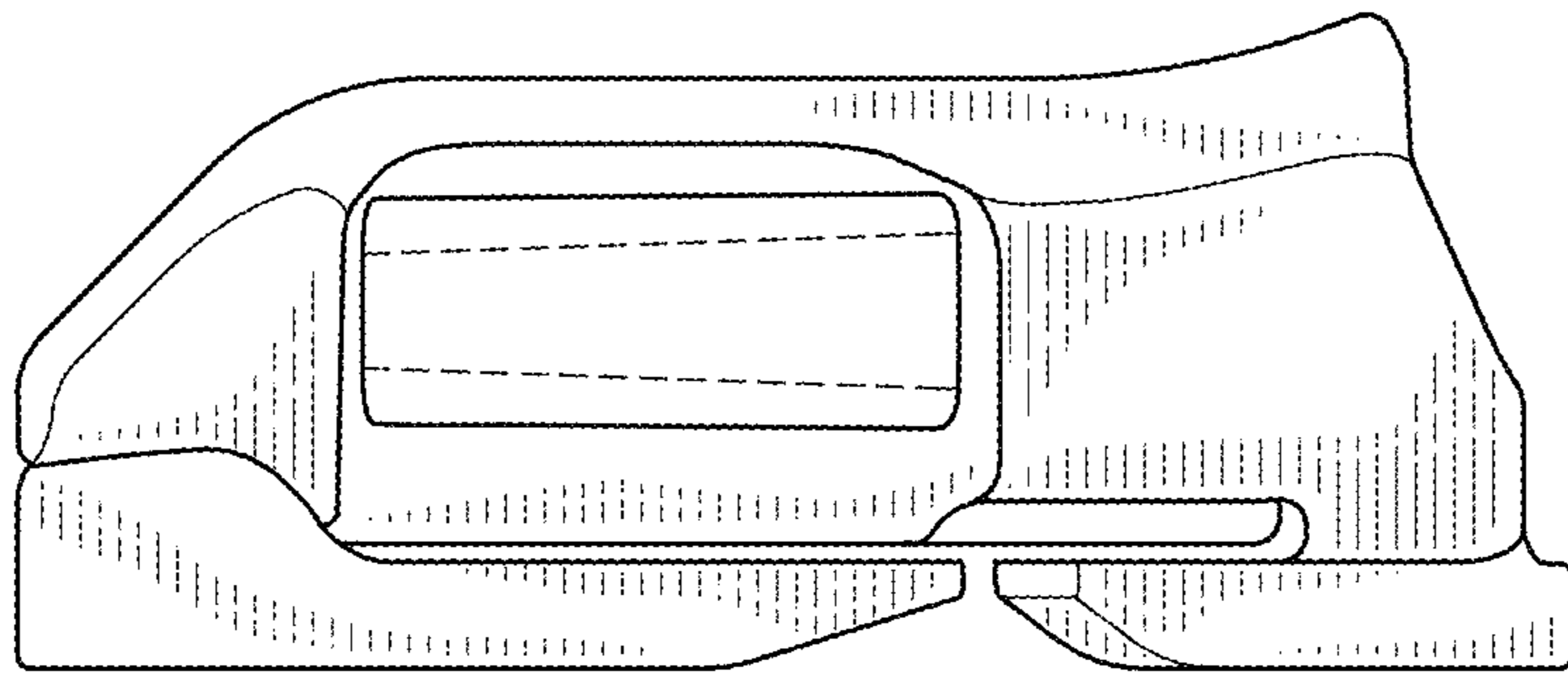


FIG. 4

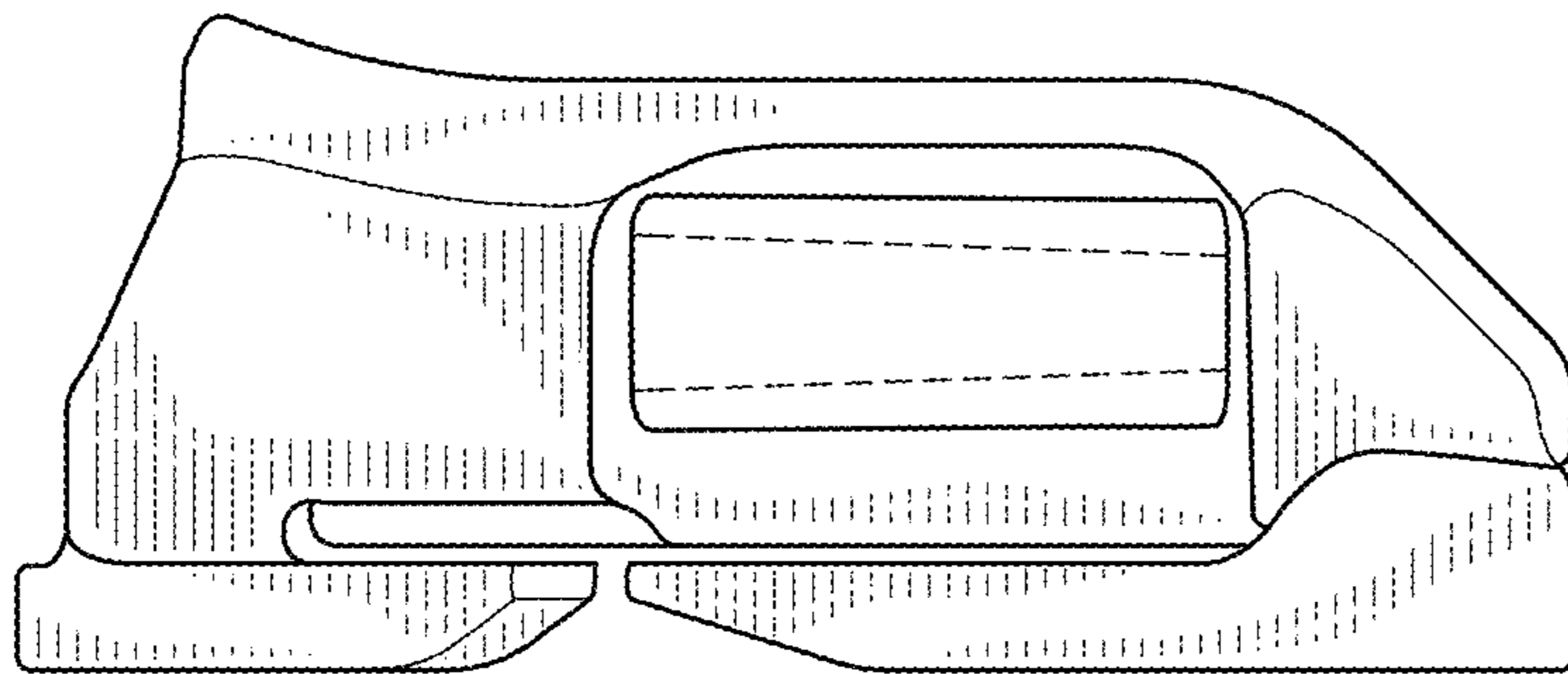


FIG. 5

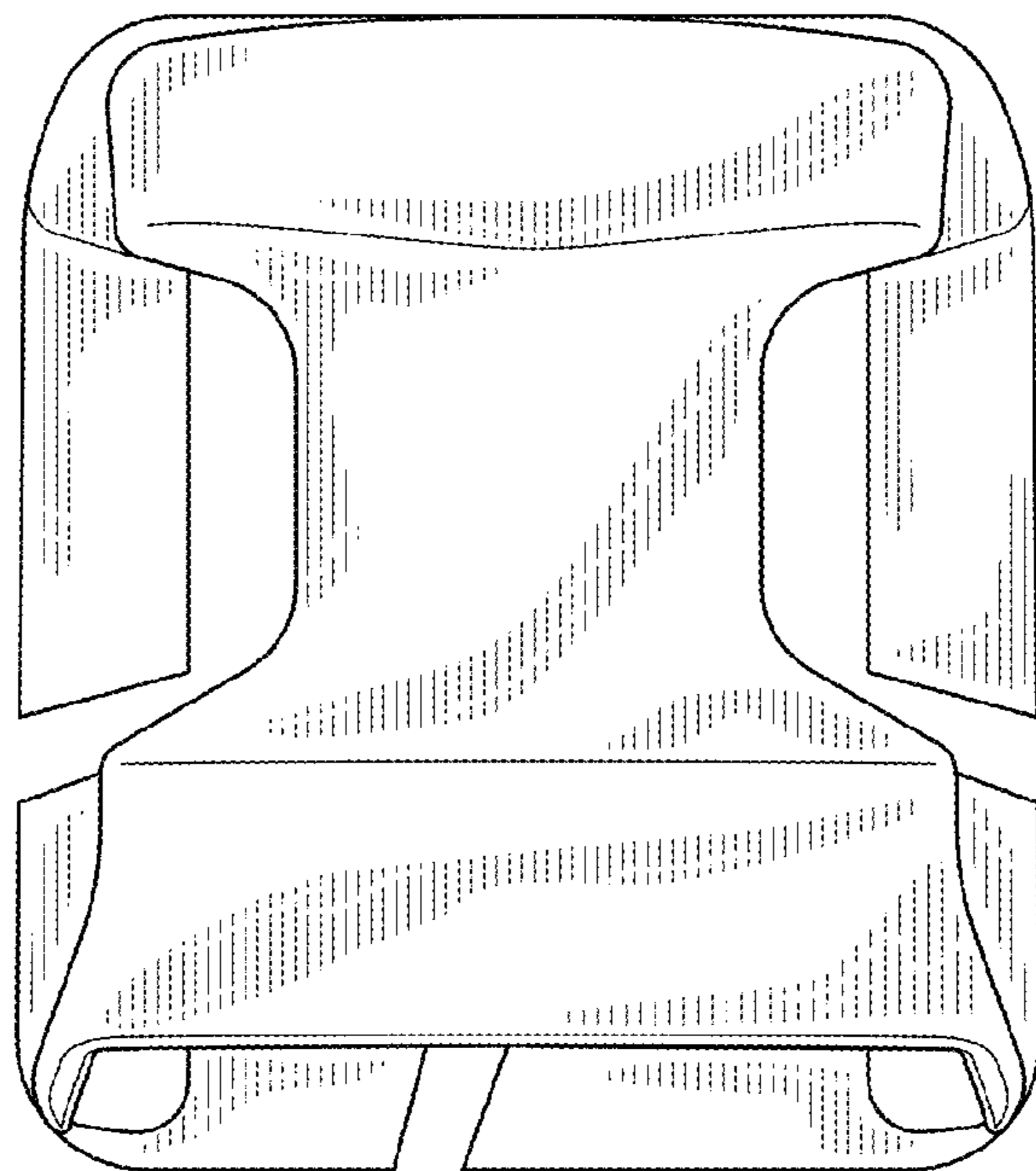


FIG. 6

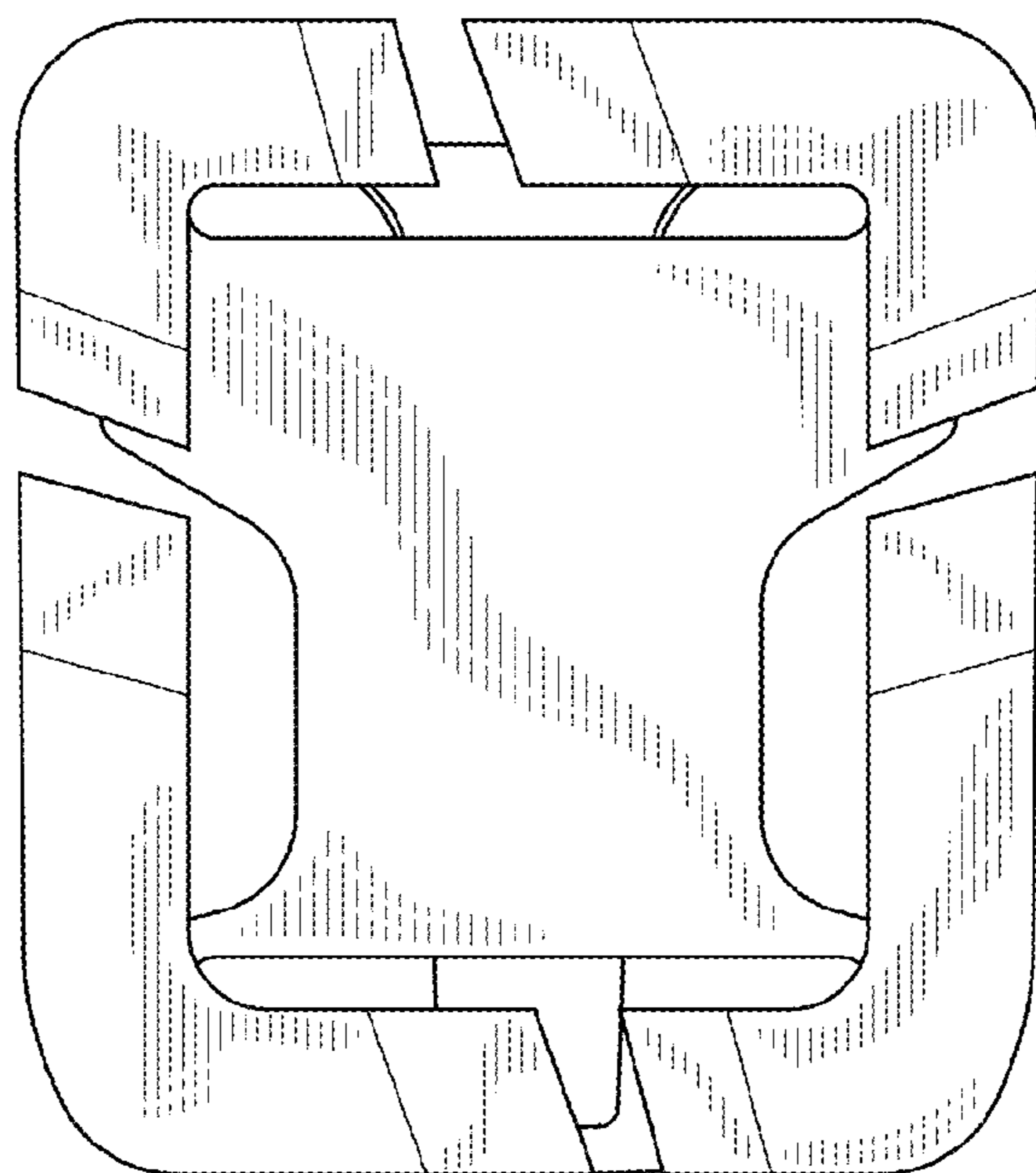


FIG. 7