



US00D681494S

(12) **United States Design Patent**
Beghelli

(10) **Patent No.:** **US D681,494 S**

(45) **Date of Patent:** **** May 7, 2013**

(54) **EMERGENCY LAMP**

(75) **Inventor:** **Gian P. Beghelli**, Montevoglio (IT)

(73) **Assignee:** **Beghelli S.p.A.**, Montevoglio (BO) (IT)

(**) **Term:** **14 Years**

(21) **Appl. No.:** **29/424,698**

(22) **Filed:** **Jun. 14, 2012**

(30) **Foreign Application Priority Data**

Dec. 14, 2011 (EM) 001962630-0002

(51) **LOC (9) Cl.** **10-05**

(52) **U.S. Cl.**
USPC **D10/114.2**

(58) **Field of Classification Search** ... D10/114.1-114.5;
D26/72, 85, 76; 362/263, 157, 171-174,
362/183-208, 158; 315/224
See application file for complete search history.

(56) **References Cited**

U.S. PATENT DOCUMENTS

D312,319 S *	11/1990	Kunz	D26/72
D312,842 S *	12/1990	Younger et al.	D20/42
D330,268 S *	10/1992	Jaksich	D26/74
D407,837 S *	4/1999	Compton	D26/67
D583,695 S *	12/2008	Grote, Jr.	D10/114.2
D585,581 S *	1/2009	Purcell	D26/85
D664,700 S *	7/2012	Ferguson et al.	D26/76

OTHER PUBLICATIONS

U.S. Appl. No. 29/424,695, filed Jun. 14, 2012.

U.S. Appl. No. 29/424,701, filed Jun. 14, 2012.

Notice of Allowance in U.S. Appl. No. 29/424,701, issued Dec. 20, 2012.

Notice of Allowance in U.S. Appl. No. 29/424,695, issued Dec. 20, 2012.

* cited by examiner

Primary Examiner — George D Kirschbaum

(74) *Attorney, Agent, or Firm* — Roberts Mlotkowski Safran & Cole P.C.

(57) **CLAIM**

The ornamental design for the emergency lamp, as shown and described.

DESCRIPTION

FIG. 1 is a perspective view of an emergency lamp showing my new design;

FIG. 2 is a top plan view thereof;

FIG. 3 is a bottom plan view thereof;

FIG. 4 is a left side view thereof;

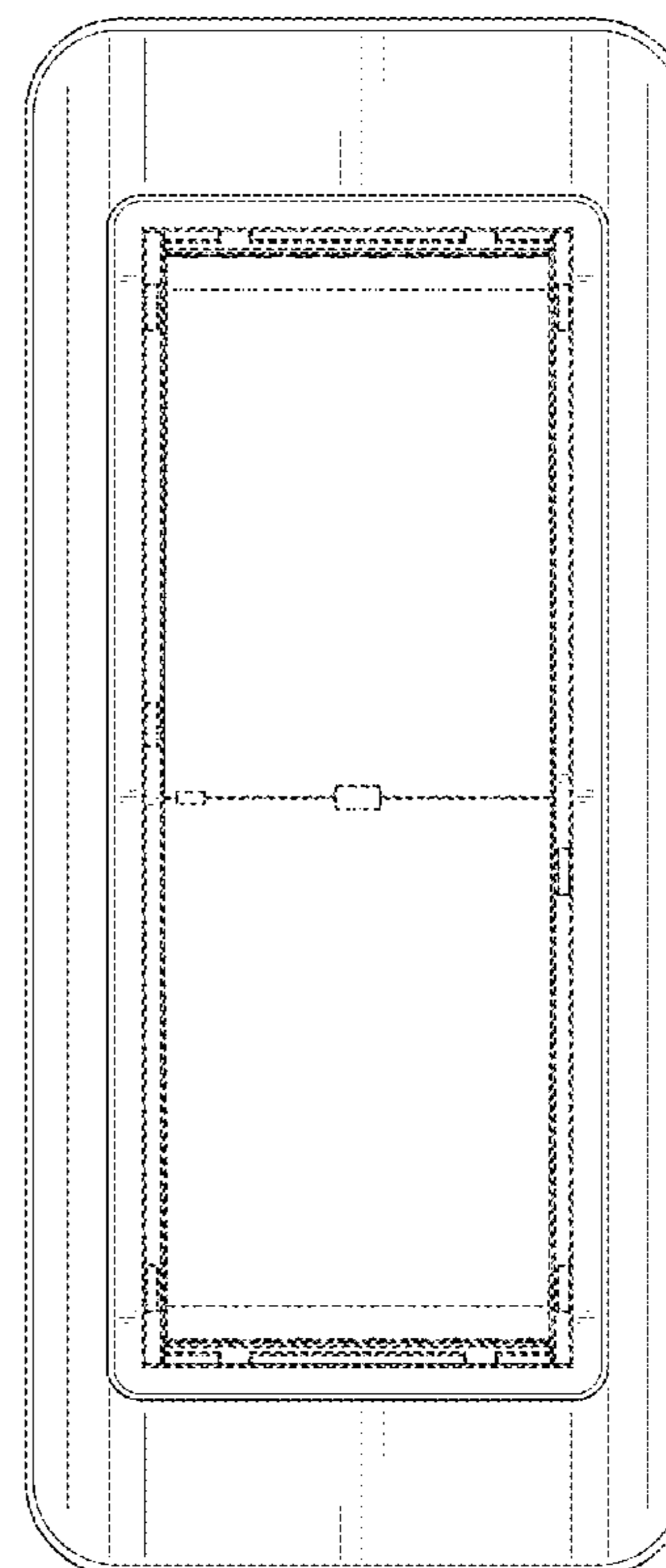
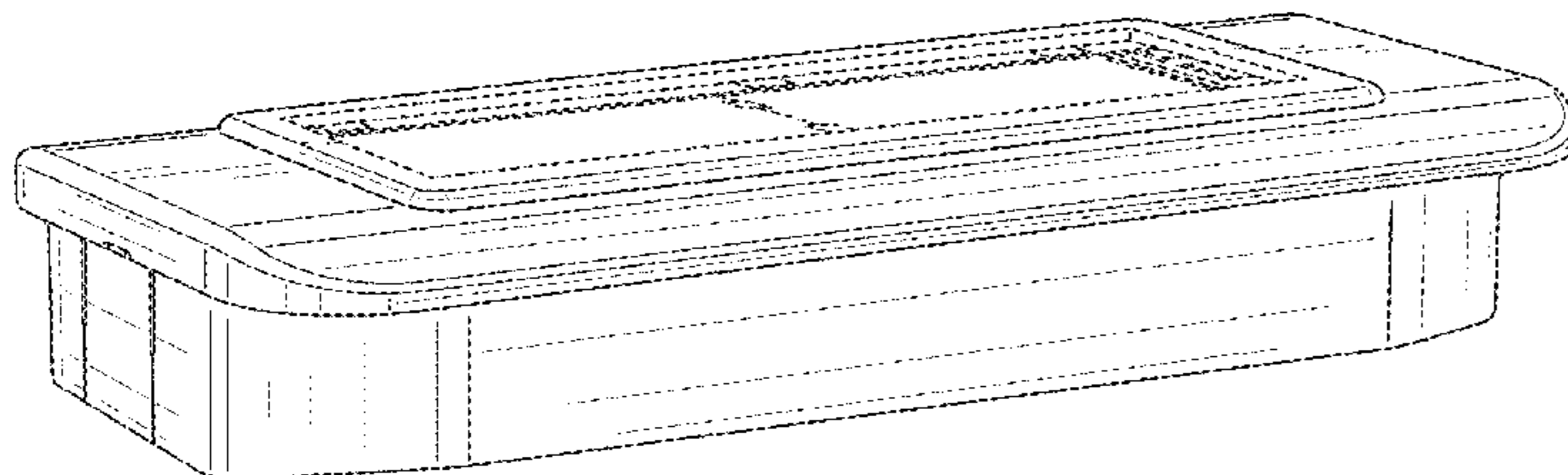
FIG. 5 is a right side view thereof;

FIG. 6 is a front view thereof; and,

FIG. 7 is a rear view thereof.

The broken lines are illustrative and form no part of the claimed design.

1 Claim, 5 Drawing Sheets



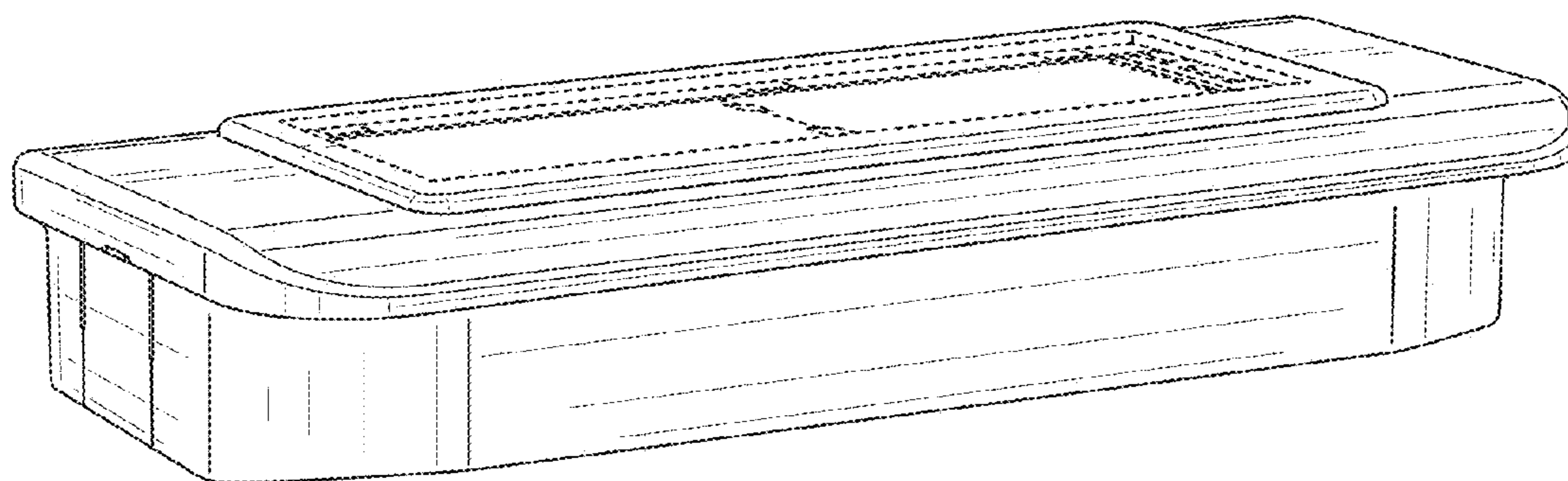


FIG. 1

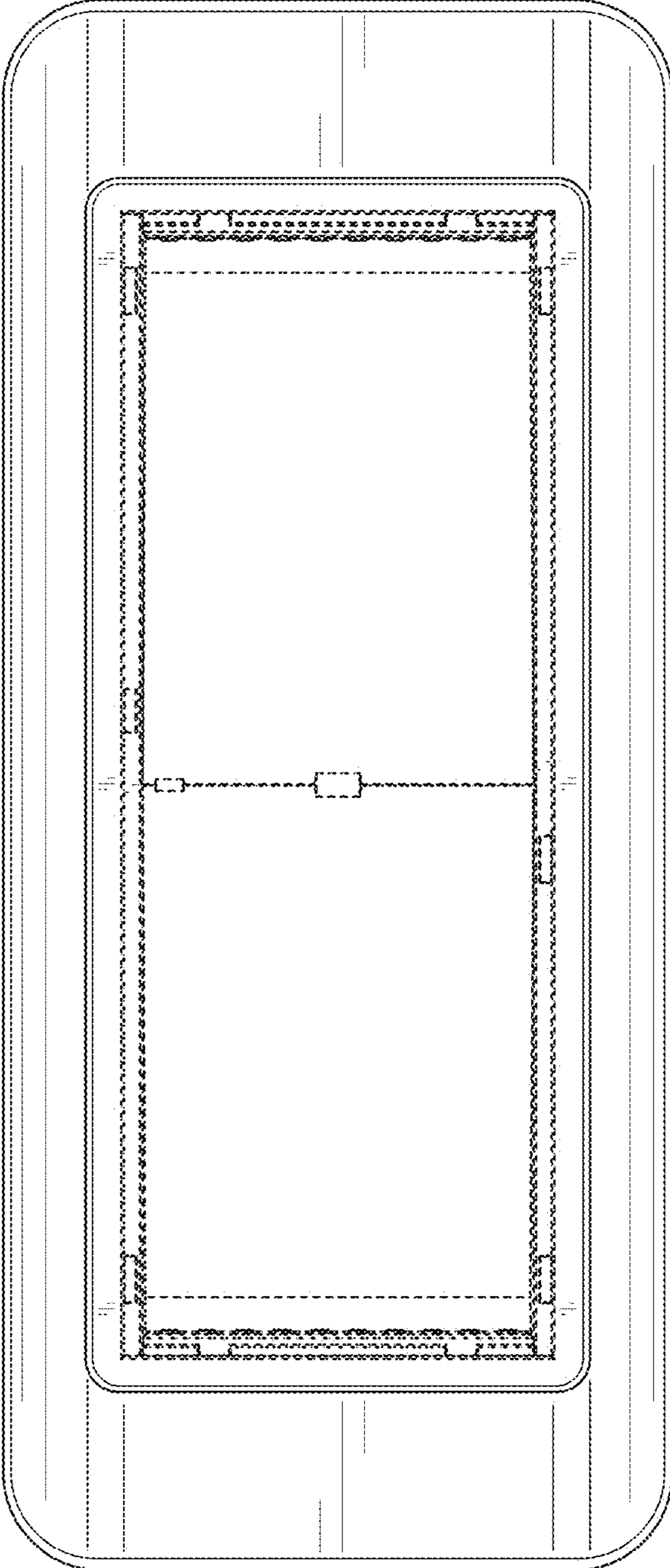


FIG. 2

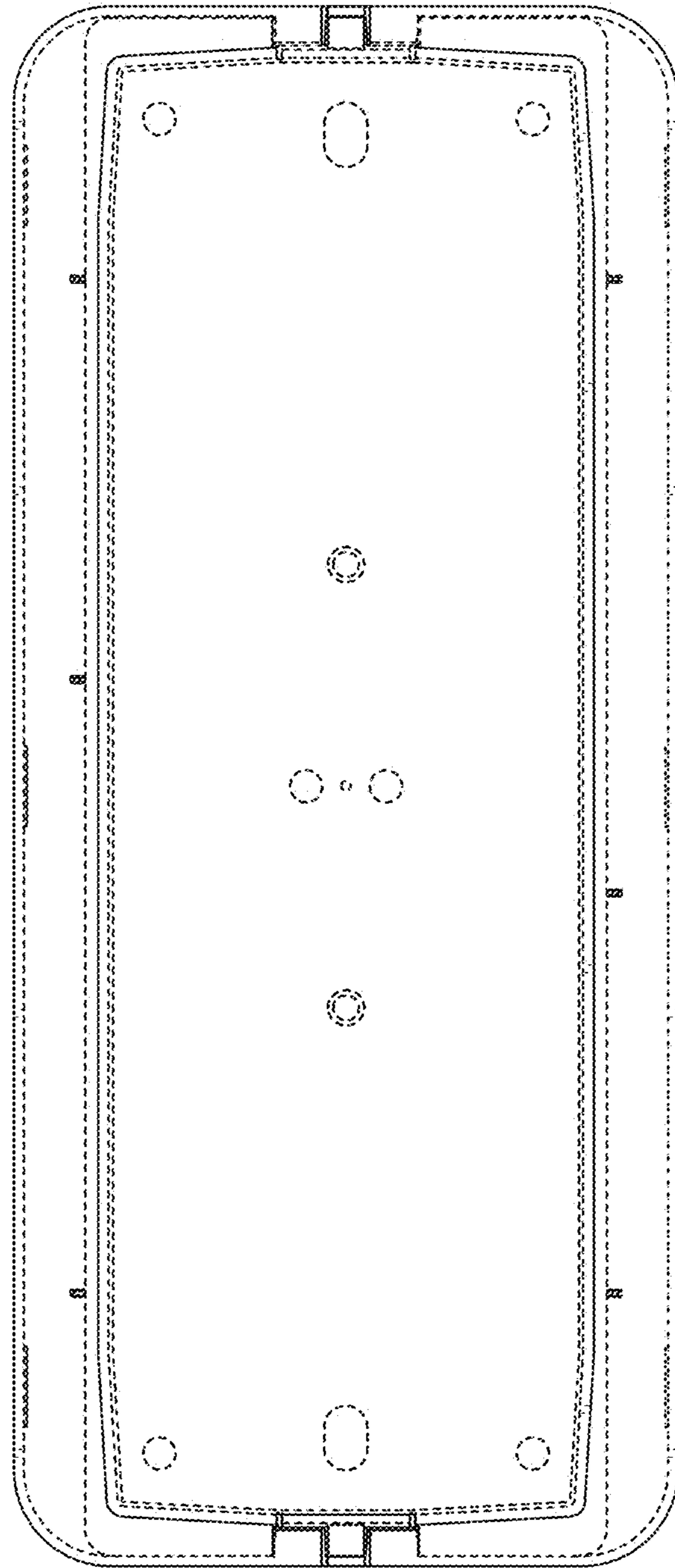


FIG. 3

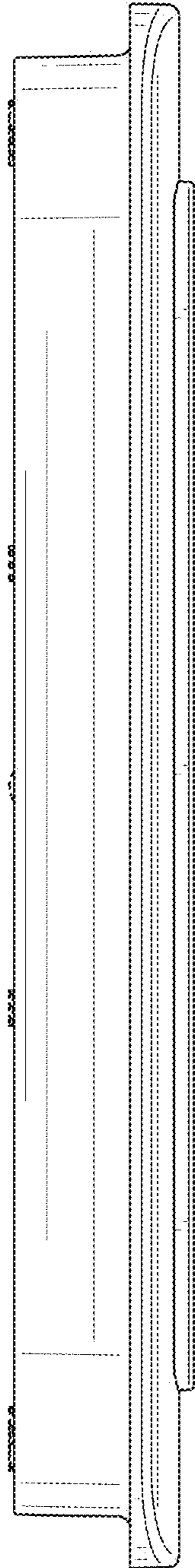


FIG. 4

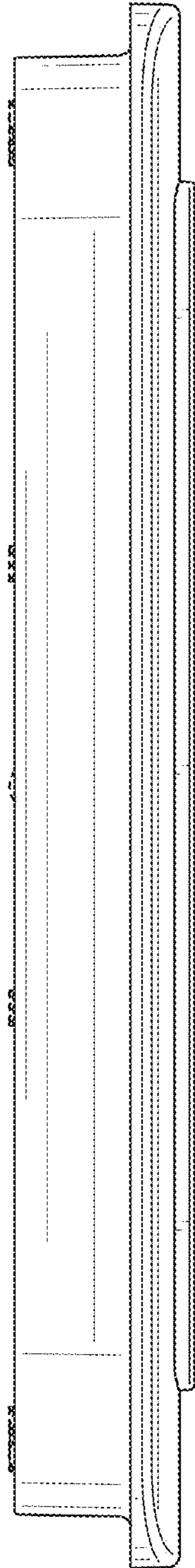


FIG. 5

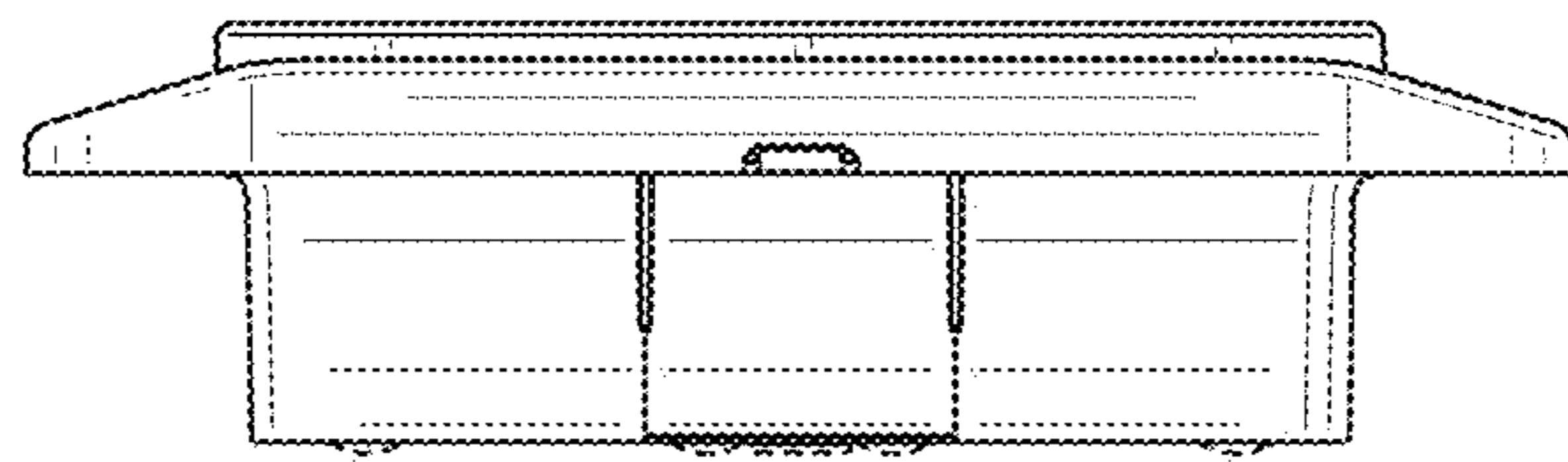


FIG. 6

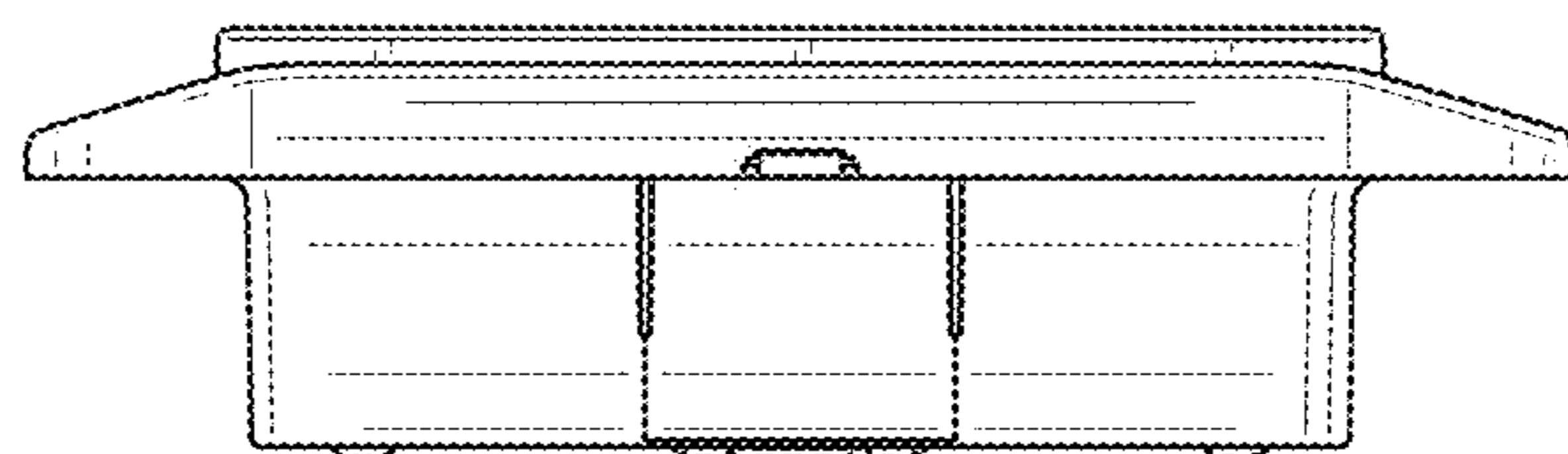


FIG. 7