



US00D681489S

(12) **United States Design Patent**
Williamson et al.

(10) **Patent No.:** **US D681,489 S**
(45) **Date of Patent:** **** May 7, 2013**

(54) **WATER METER**

(75) Inventors: **Walter Scott Williamson**, Lewisville, TX (US); **James Scott Williamson**, Denton, TX (US)

(73) Assignee: **Capstone Metering LLC**, Flower Mound, TX (US)

(**) Term: **14 Years**

(21) Appl. No.: **29/413,253**

(22) Filed: **Feb. 13, 2012**

(51) **LOC (9) Cl.** **10-04**

(52) **U.S. Cl.**
USPC **D10/99**; D10/96

(58) **Field of Classification Search** D10/96,
D10/99; 73/195-203, 264, 272 R-274, 276,
73/861.33, 861.77, 861.75, 861.79; 137/343;
241/205, 208

See application file for complete search history.

(56) **References Cited**

U.S. PATENT DOCUMENTS

2008/0006085 A1* 1/2008 Yamashita et al. 73/273

2009/0078039 A1* 3/2009 Ueda et al. 73/202

* cited by examiner

Primary Examiner — Antoine D Davis

(74) *Attorney, Agent, or Firm* — Winstead PC

(57) **CLAIM**

The ornamental design for water meter, as shown and described.

DESCRIPTION

FIG. 1 is a perspective view of a water meter in accordance with the design;

FIG. 2 is a front view of the water meter in accordance with the design;

FIG. 3 is a back view of the water meter in accordance with the design;

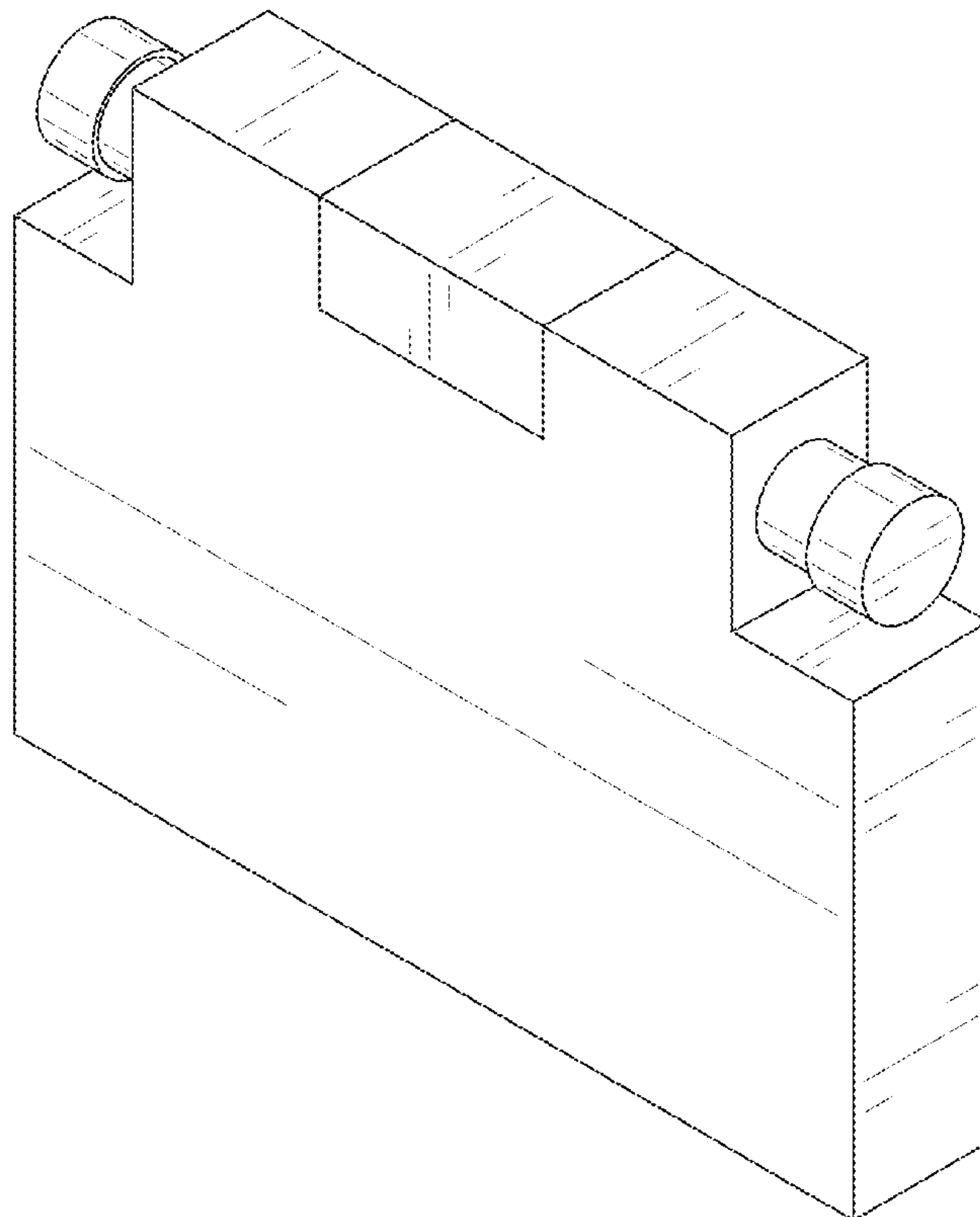
FIG. 4 is a left side view of the water meter in accordance with the design;

FIG. 5 is a right side view of the water meter in accordance with the design;

FIG. 6 is a top plan view of the water meter in accordance with the design; and,

FIG. 7 is a bottom plan view of the water meter in accordance with the design.

1 Claim, 5 Drawing Sheets



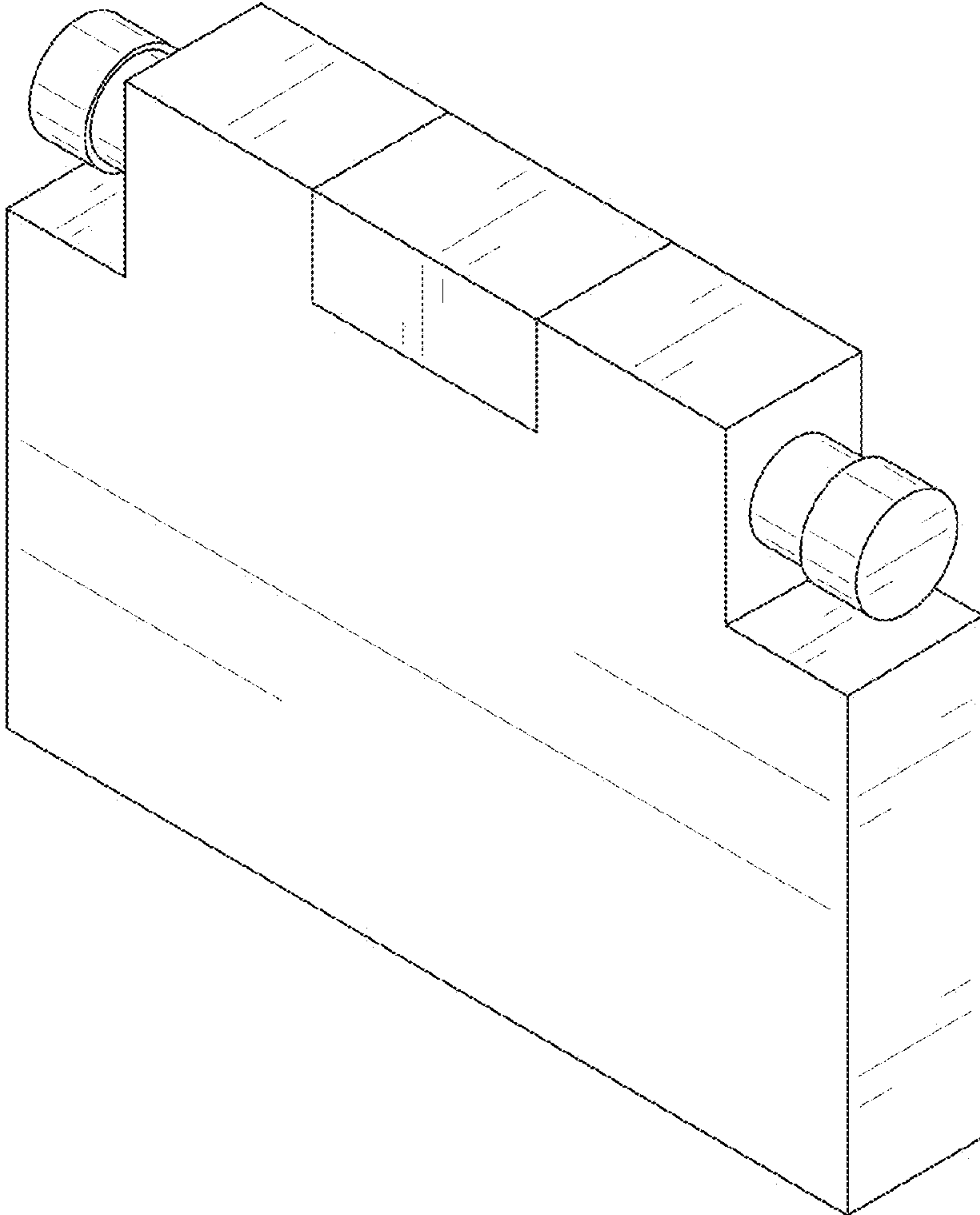


FIG. 1

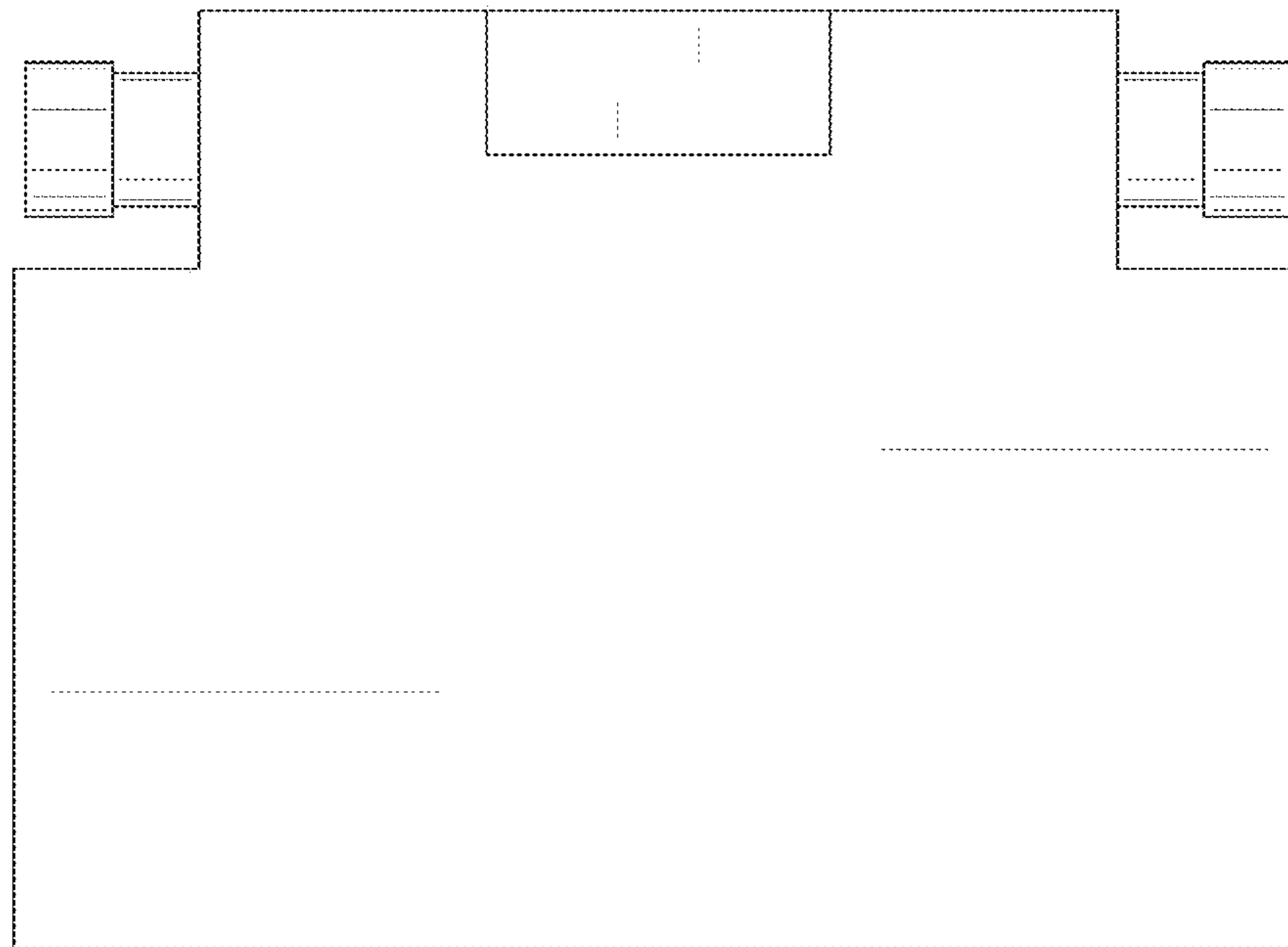


FIG. 2

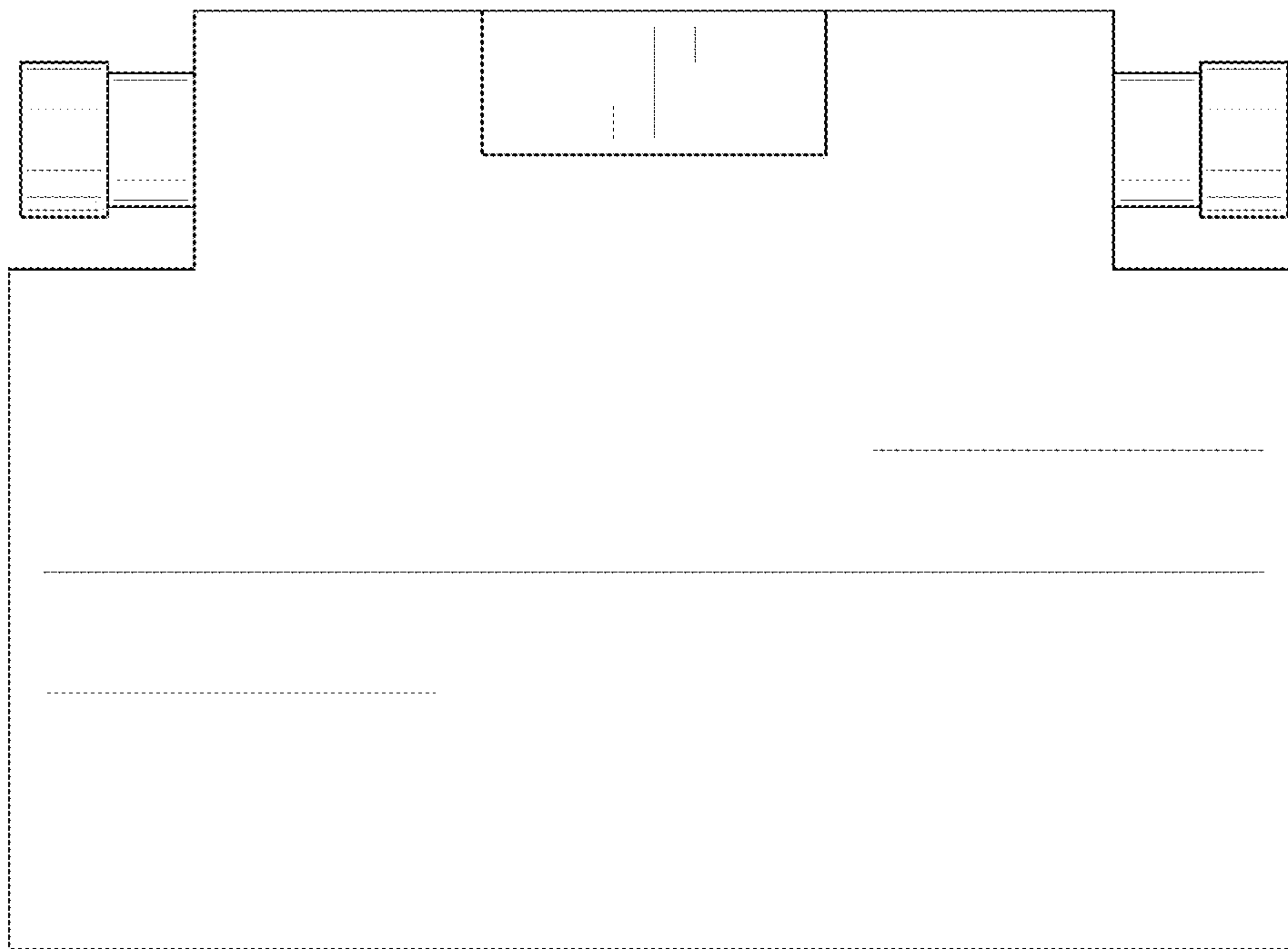


FIG. 3

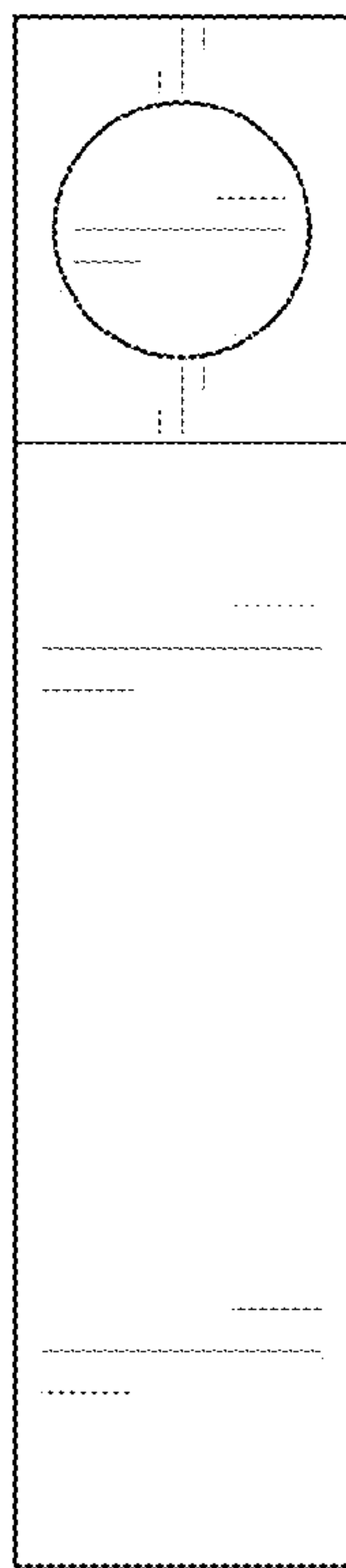


FIG. 4

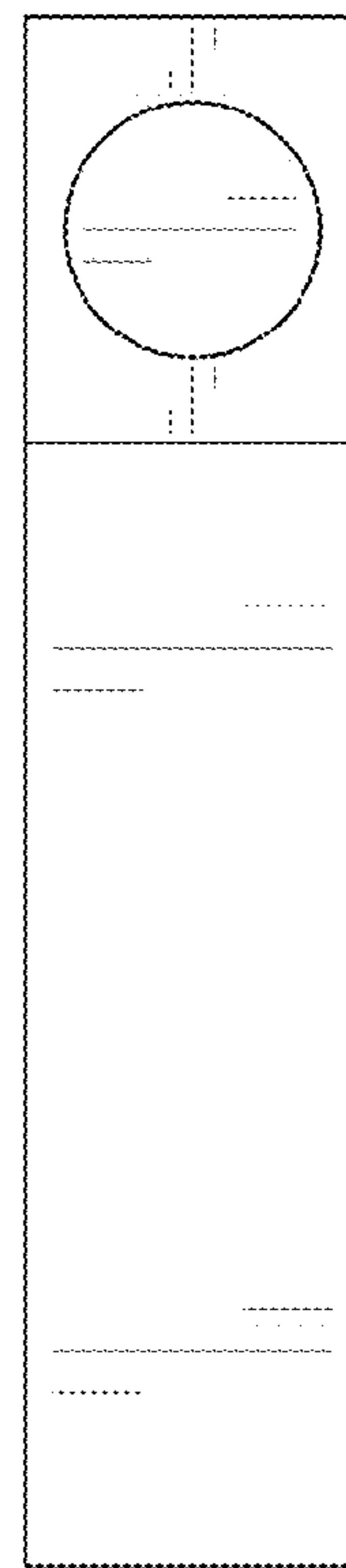


FIG. 5

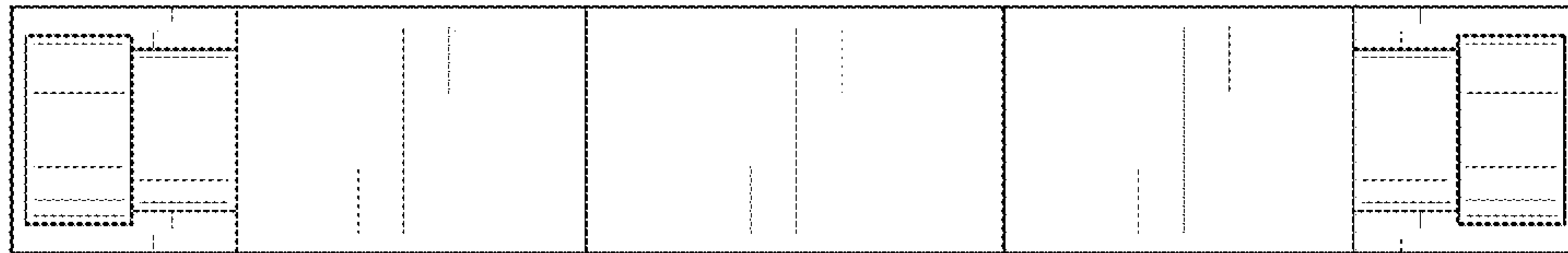


FIG. 6

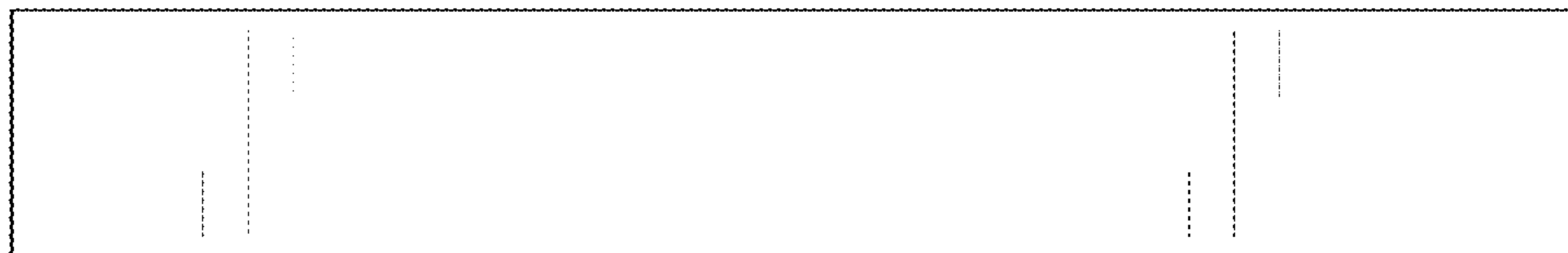


FIG. 7