



US00D681486S

(12) **United States Design Patent**
Willuweit

(10) **Patent No.:** **US D681,486 S**

(45) **Date of Patent:** **** May 7, 2013**

(54) **SPECTROPHOTOMETER**

(75) Inventor: **Thomas Willuweit**, Hof (DE)

(73) Assignee: **IFE Innovative Forschungs-und
Entwicklungs GmbH & Co. KG**,
Harrislee (DE)

(**) Term: **14 Years**

(21) Appl. No.: **29/404,152**

(22) Filed: **Oct. 17, 2011**

(30) **Foreign Application Priority Data**

Apr. 27, 2011 (EM) 001856089

(51) **LOC (9) Cl.** **10-04**

(52) **U.S. Cl.**
USPC **D10/81**

(58) **Field of Classification Search** D10/81;
250/226; 356/326, 300-370, 402-425; 350/311,
350/318; 357/3 H, 3 L; 358/43, 44

See application file for complete search history.

(56) **References Cited**

U.S. PATENT DOCUMENTS

5,298,978 A * 3/1994 Curtis et al. 356/627
D656,048 S * 3/2012 Suzuki et al. D10/81

* cited by examiner

Primary Examiner — Antoine D Davis

(74) *Attorney, Agent, or Firm* — Jenkins, Wilson, Taylor &
Hunt, P.A.

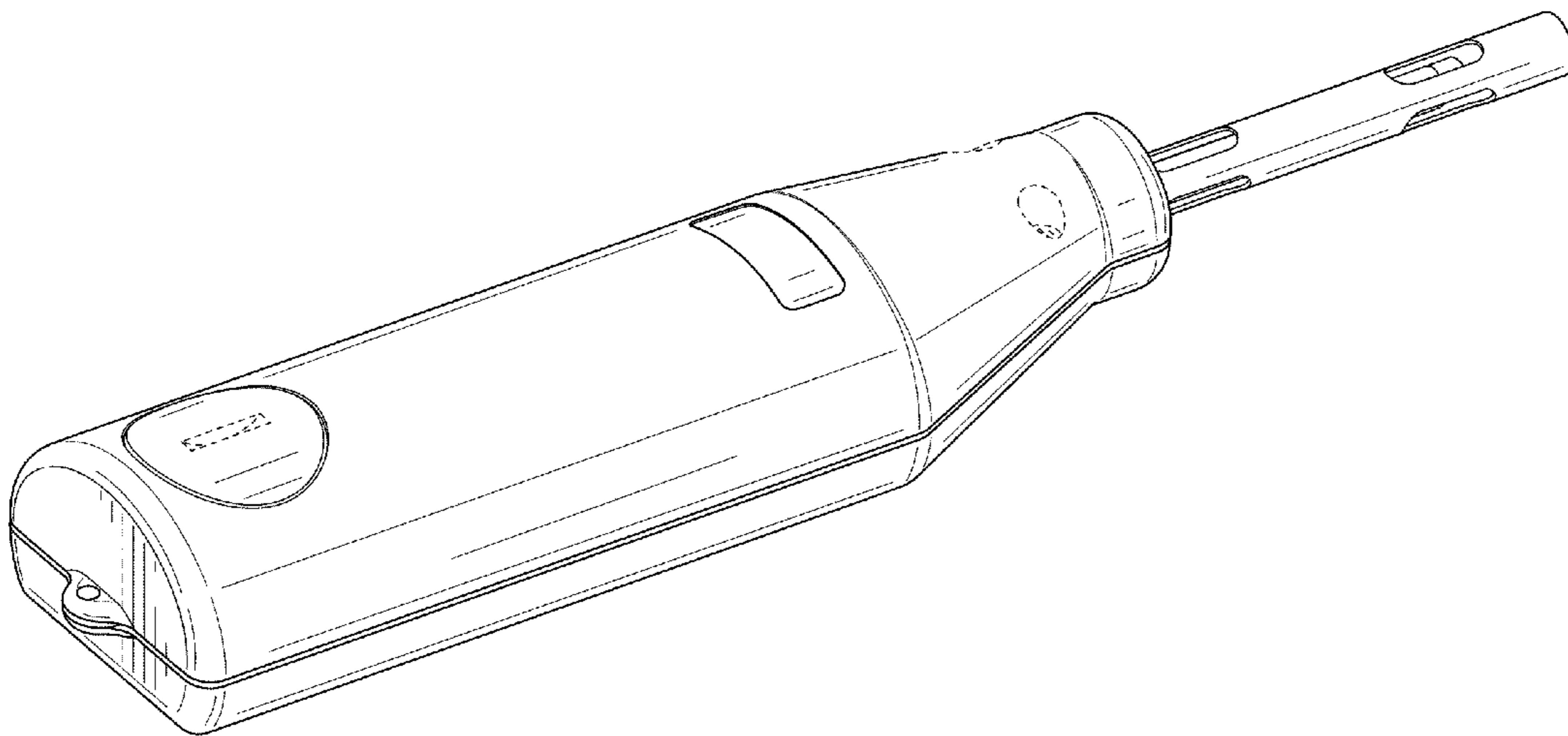
(57) **CLAIM**

The ornamental design for a spectrophotometer, as shown and
described.

DESCRIPTION

FIG. 1 is a perspective view thereof;
FIG. 2 is a bottom view thereof;
FIG. 3 is a top view thereof;
FIG. 4 is a side view thereof;
FIG. 5 is an opposite side view thereof;
FIG. 6 is an end view thereof; and,
FIG. 7 is an opposite end view thereof.
The broken lines are for illustrative purposes only and form
no part of the claimed design.

1 Claim, 5 Drawing Sheets



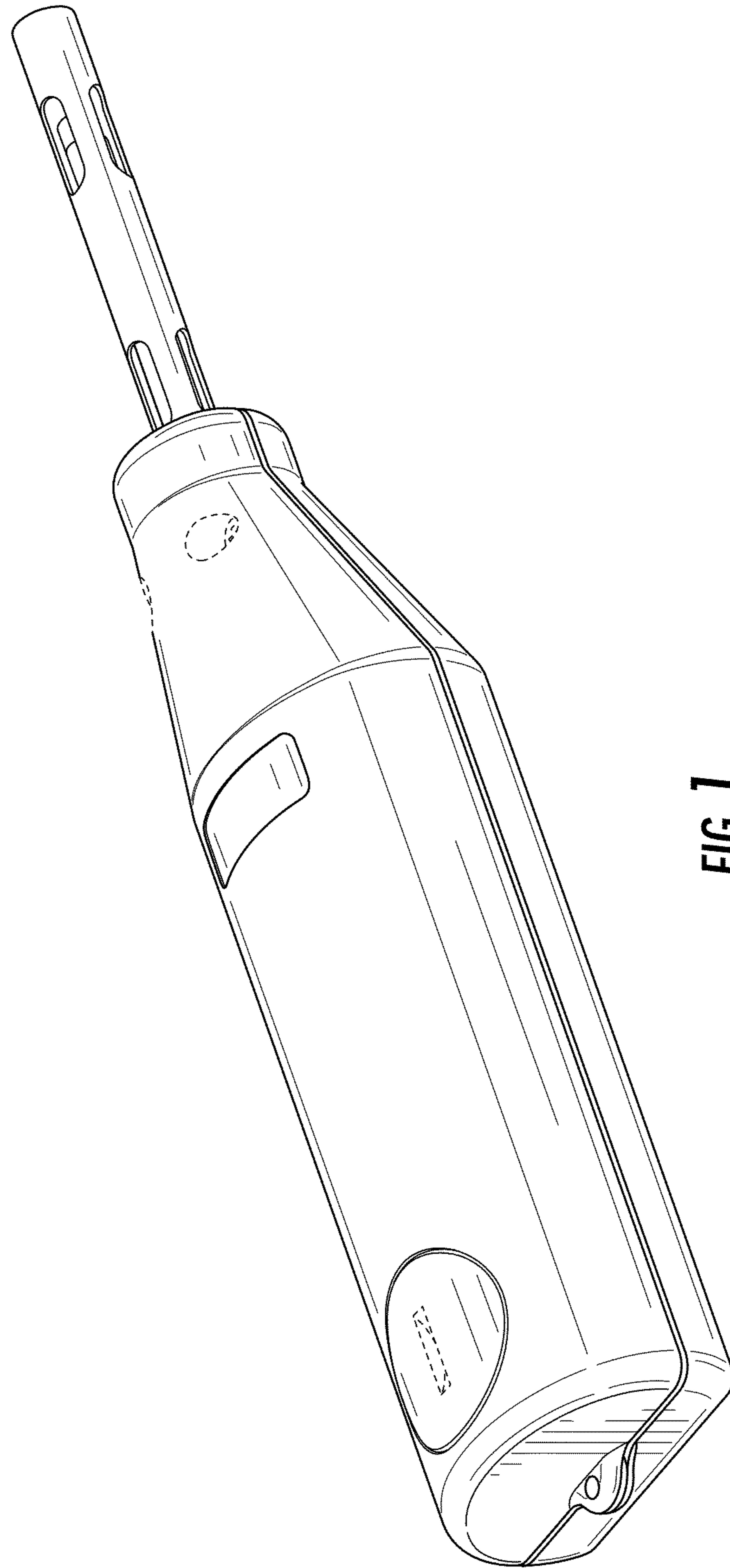


FIG. 1

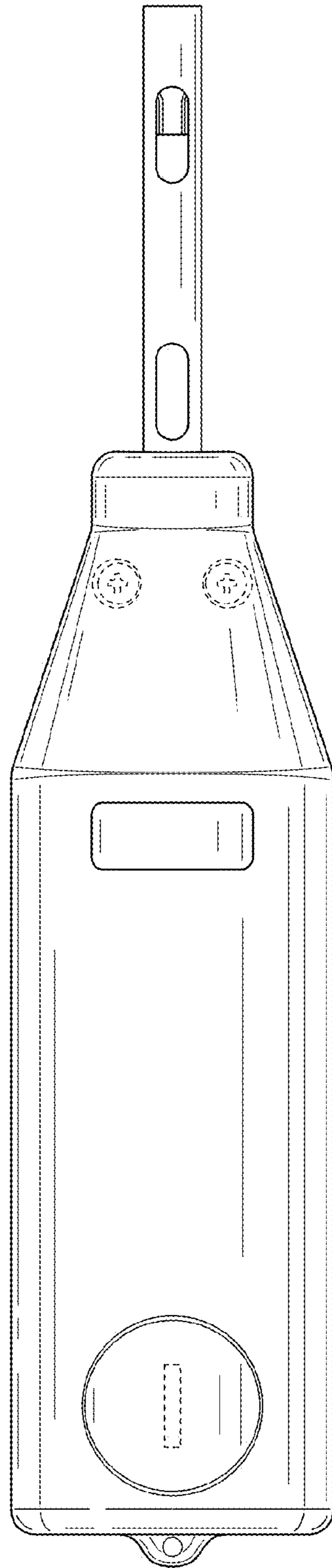


FIG. 2

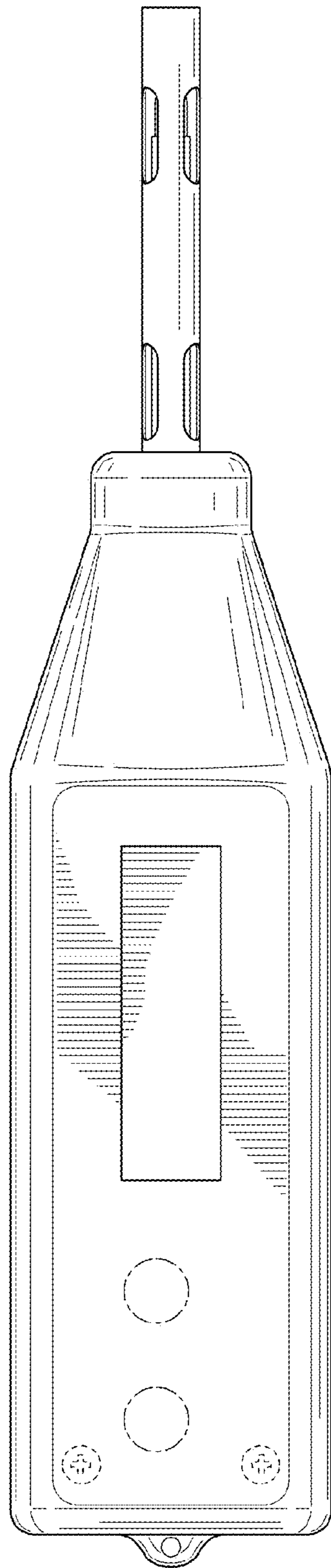


FIG. 3

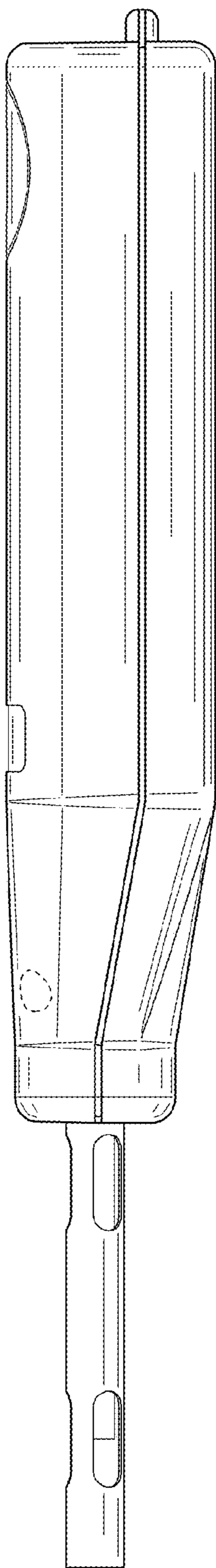


FIG. 4

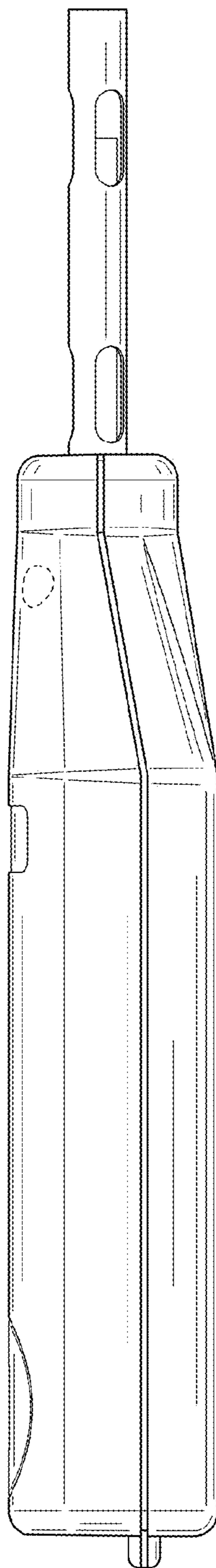


FIG. 5

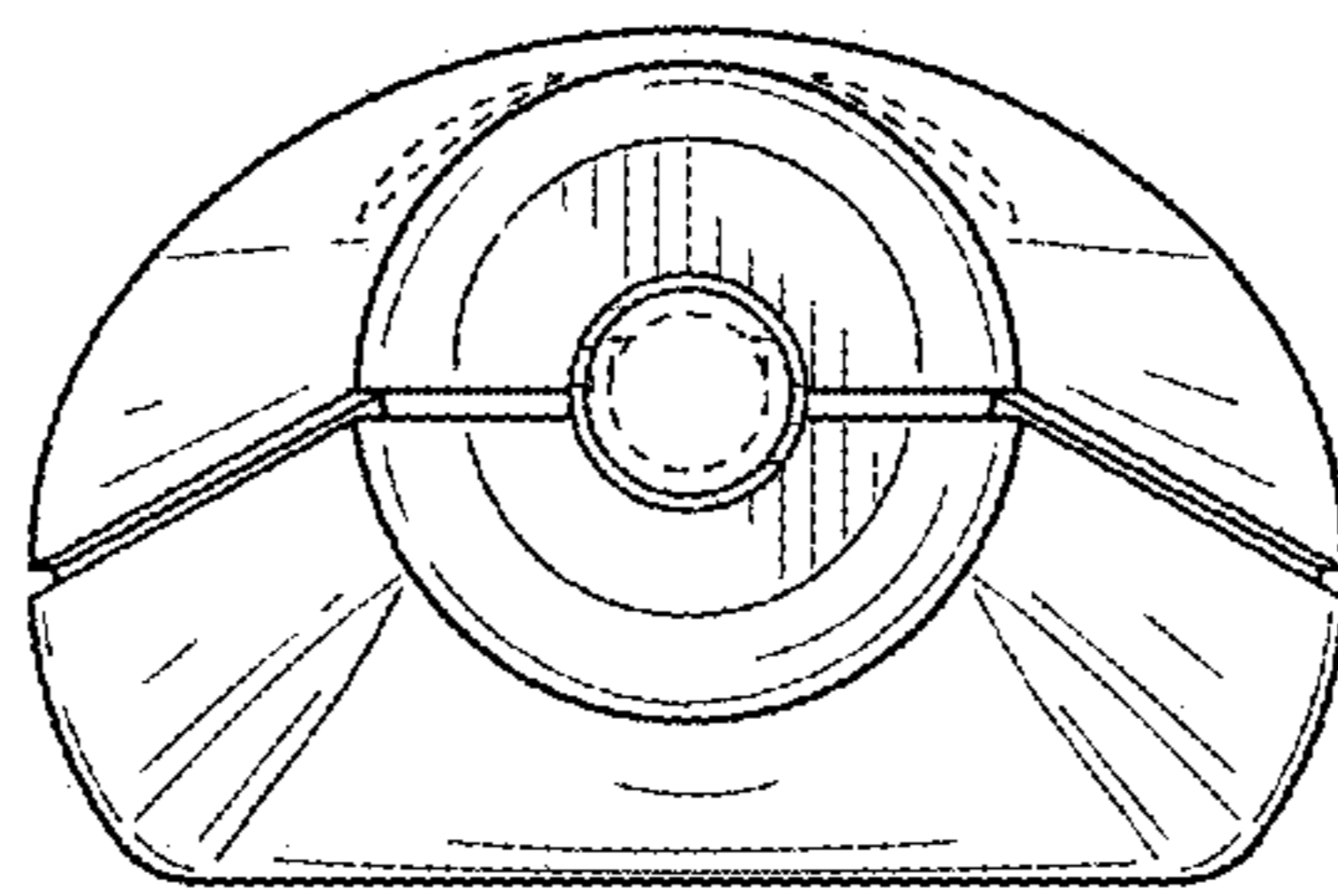


FIG. 6

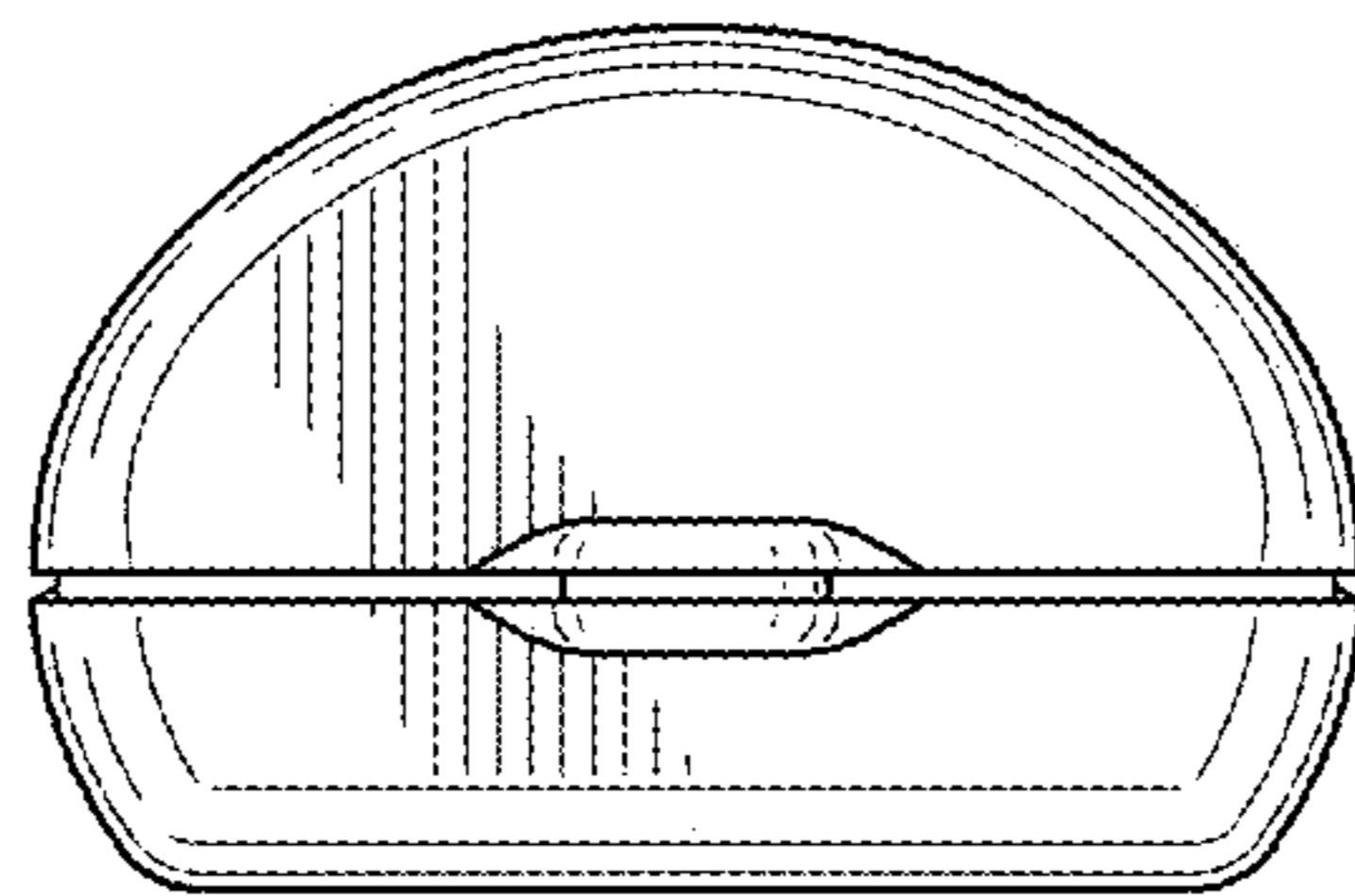


FIG. 7