



US00D681481S

(12) **United States Design Patent**
Hegi

(10) **Patent No.:** **US D681,481 S**

(45) **Date of Patent:** **** May 7, 2013**

(54) **WATCH CASE**

(75) **Inventor:** **Matthieu Hegi**, Troinex (CH)

(73) **Assignee:** **Richemont International SA**,
Villars-sur-des-Biches

(**) **Term:** **14 Years**

(21) **Appl. No.:** **29/394,638**

(22) **Filed:** **Jun. 20, 2011**

(30) **Foreign Application Priority Data**

Dec. 24, 2010 (WO) DM/075 131

(51) **LOC (9) Cl.** **10-02**

(52) **U.S. Cl.**
USPC **D10/38**

(58) **Field of Classification Search** D10/30-39,
D10/122-132; 368/276, 281, 282, 285
See application file for complete search history.

(56) **References Cited**

U.S. PATENT DOCUMENTS

2,361,563	A *	10/1944	Pellaton	368/80
2,823,524	A *	2/1958	Slater	63/9
D186,180	S *	9/1959	Diamond	D10/39
3,552,117	A *	1/1971	Parris	368/277
D322,411	S *	12/1991	Schneider	D10/39
D325,528	S *	4/1992	Schneider	D10/32
D331,540	S *	12/1992	Serge	D10/37
D358,776	S *	5/1995	Pandel	D10/30

D370,856	S *	6/1996	Krieger	D10/32
D423,951	S *	5/2000	Fichter	D10/39
D452,449	S *	12/2001	Hegi	D10/32
D511,695	S *	11/2005	Hegi	D10/39
D578,023	S *	10/2008	Rochat	D10/32
7,575,366	B2 *	8/2009	Cretin	368/187
D608,223	S *	1/2010	Salanitro	D10/38
D622,167	S *	8/2010	Jorst et al.	D10/39
D631,764	S *	2/2011	Furetta	D10/32
D653,565	S *	2/2012	Hegi	D10/38

FOREIGN PATENT DOCUMENTS

JP 1234741 4/2005

* cited by examiner

Primary Examiner — Lucy Lieberman

(74) *Attorney, Agent, or Firm* — Springut Law PC

(57) **CLAIM**

The ornamental design for a watch case, as shown and described.

DESCRIPTION

FIG. 1 is a front view of the watch case.

FIG. 2 is a rear view of the watch case

FIG. 3 is a right side view of the watch case.

FIG. 4 is a left side view of the watch case.

FIG. 5 is a bottom view of the watch case.

FIG. 6 is a top view of the watch case; and,

FIG. 7 is a perspective view of the watch case.

The broken lines in the drawings are used to show portions of the watch case that do not form part of the claimed design.

1 Claim, 3 Drawing Sheets

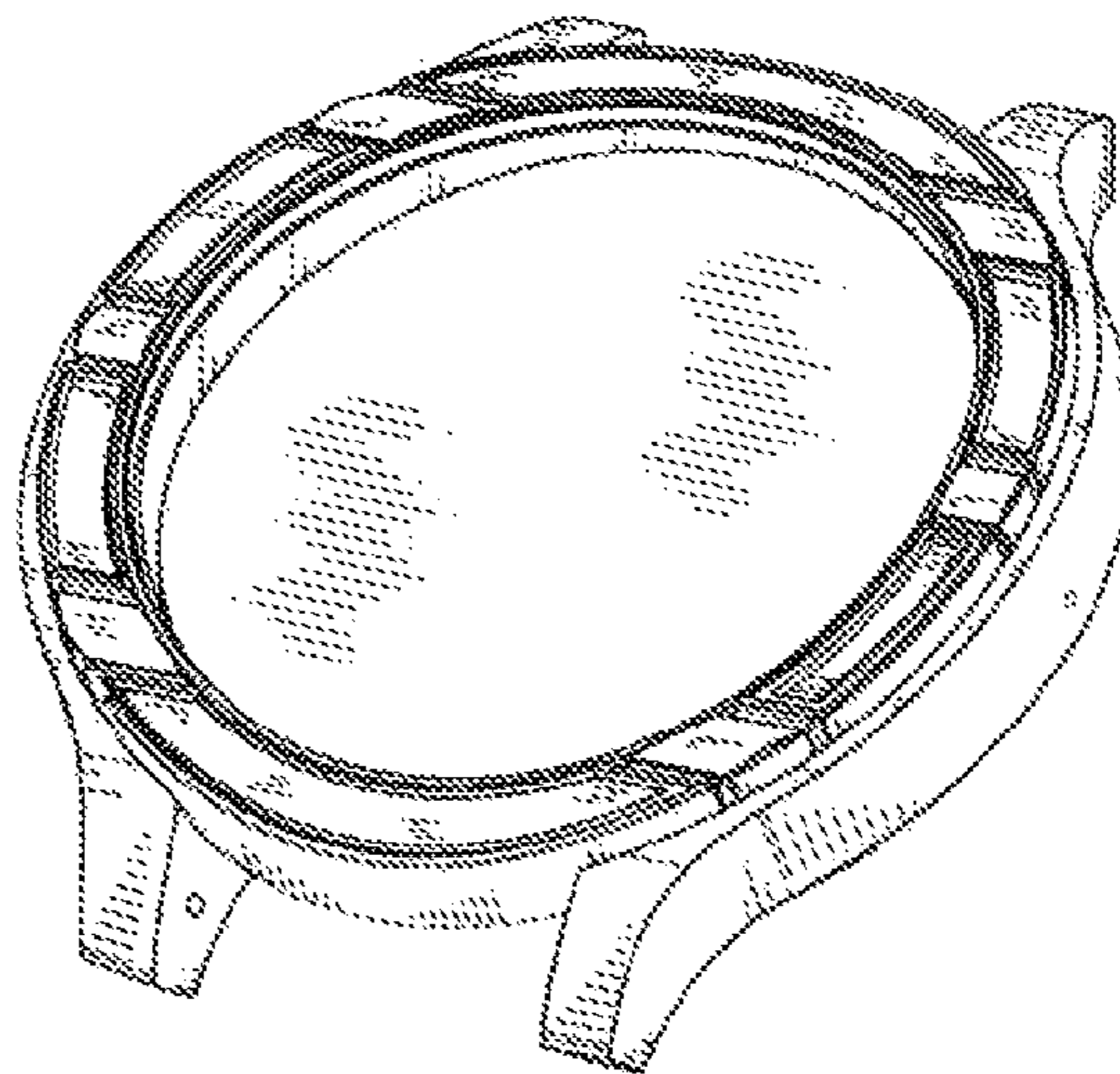
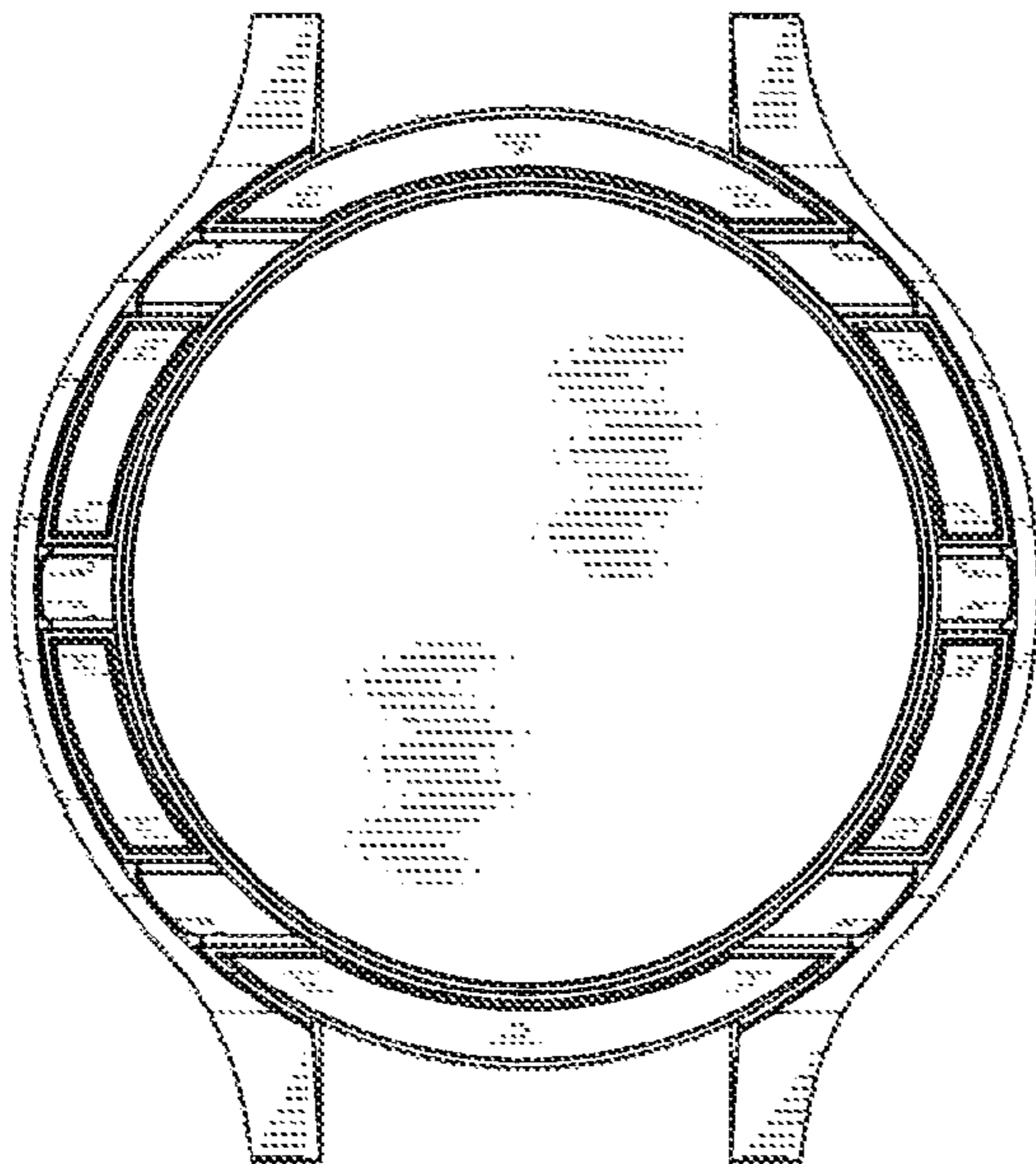


Fig.1

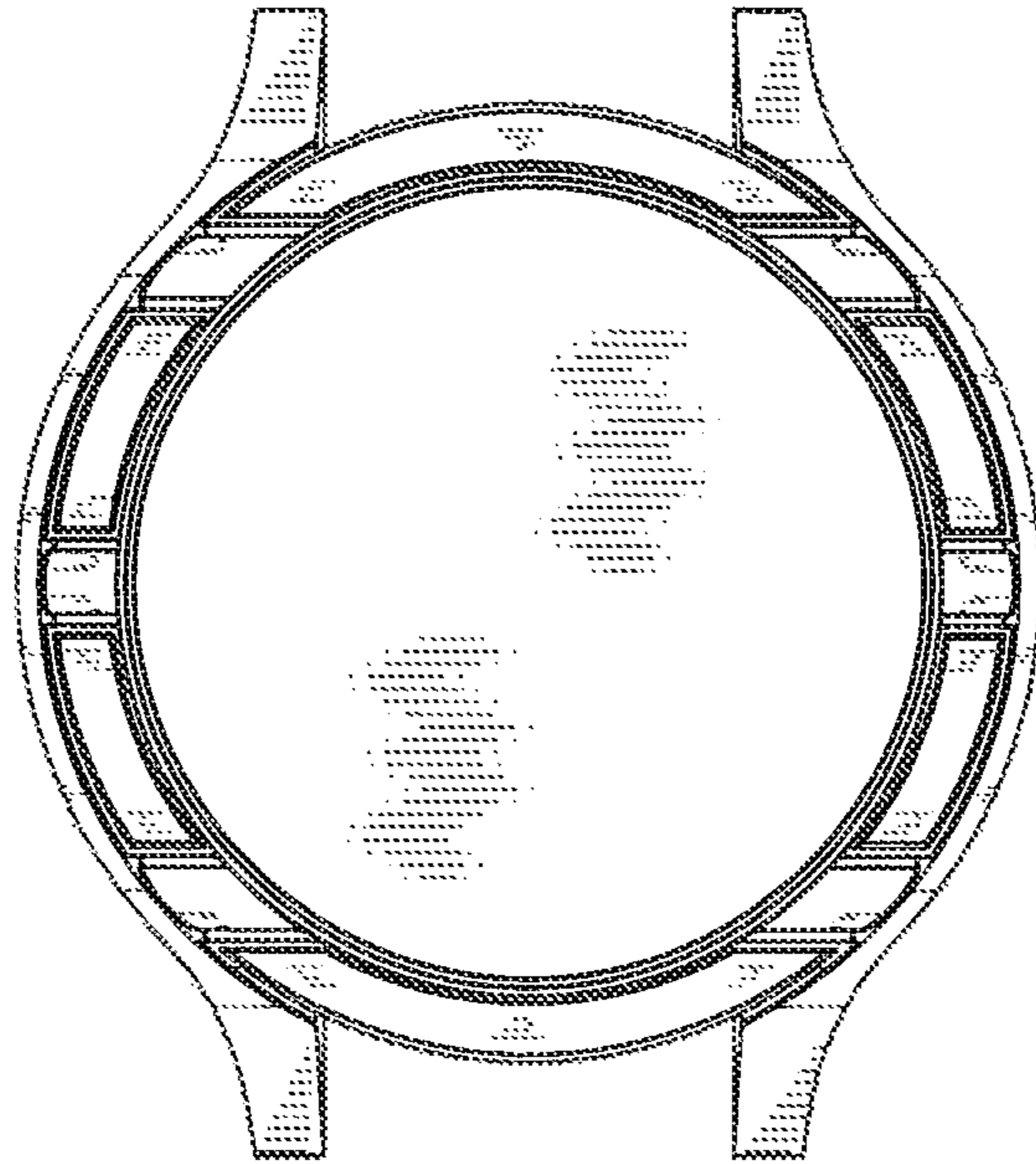


Fig.2

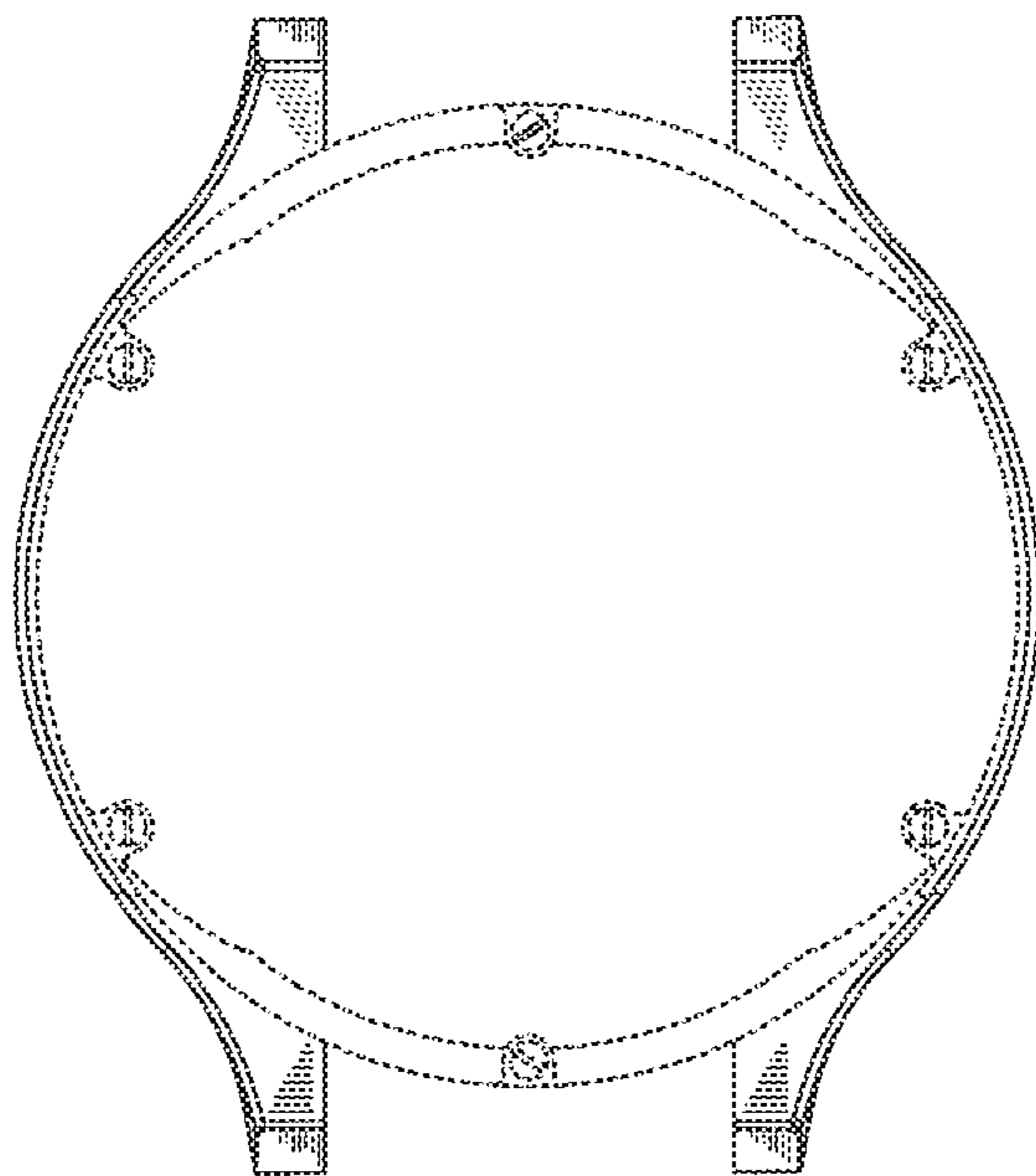


Fig.3

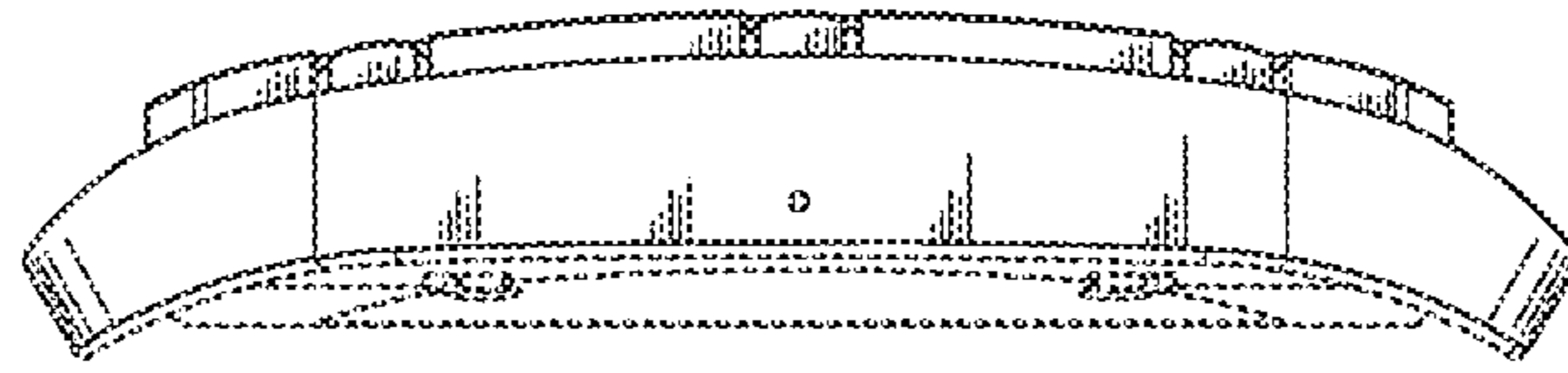


Fig.4

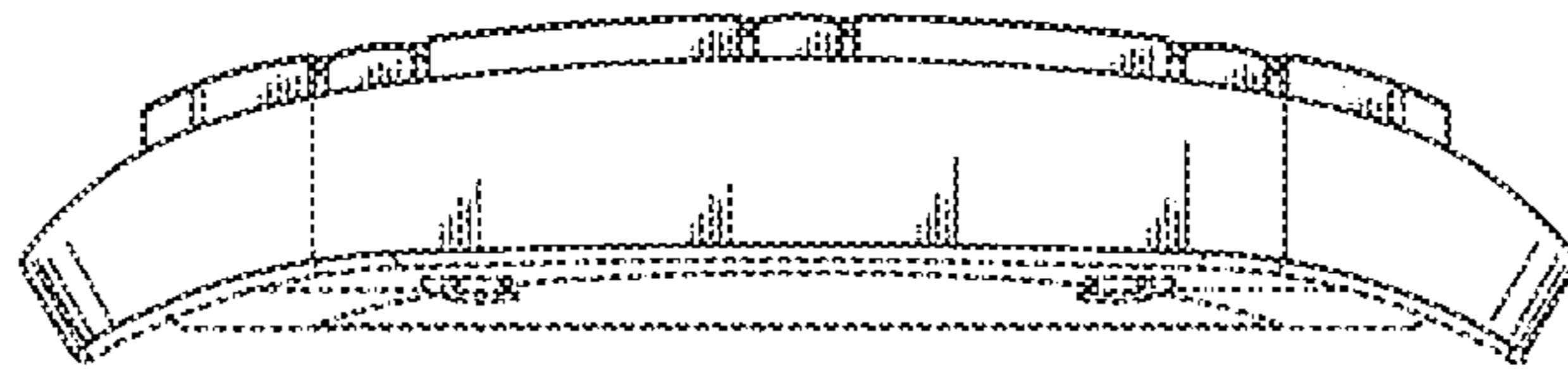


Fig.5

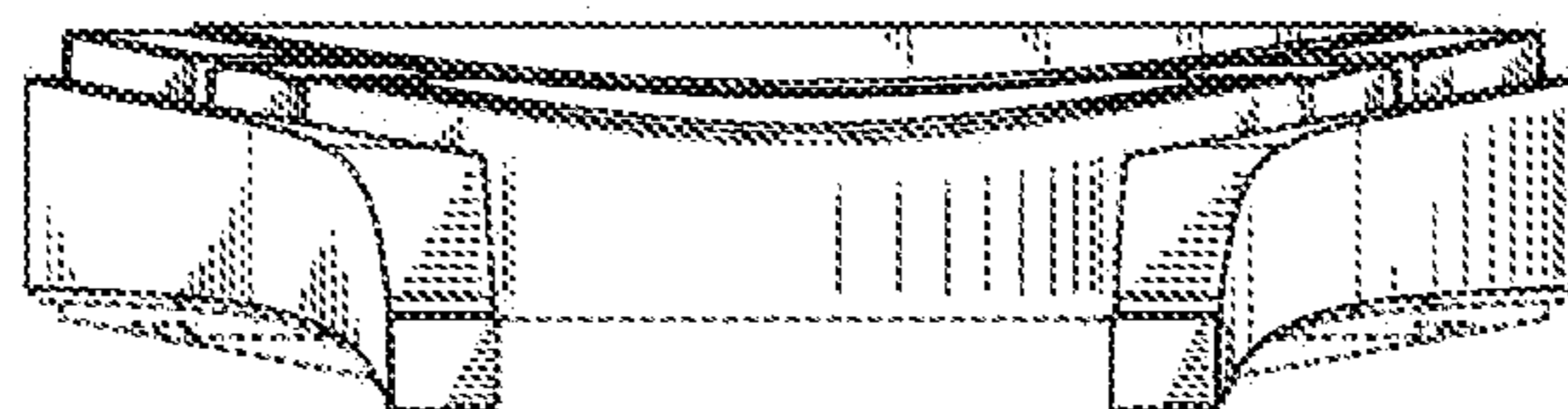


Fig.6

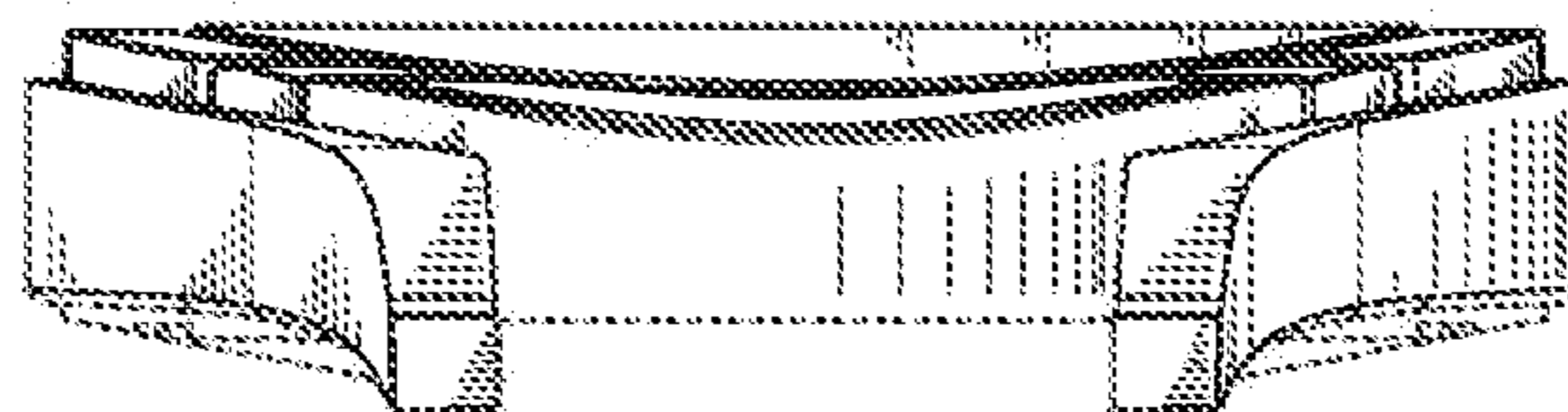


Fig.7

