



US00D681480S

(12) **United States Design Patent**  
**Maxwell-Wood**

(10) **Patent No.:** **US D681,480 S**  
(45) **Date of Patent:** **\*\* May 7, 2013**

(54) **METAL CAN**

(75) Inventor: **Thomas Hedley Maxwell-Wood,**  
Wantage (GB)

(73) Assignee: **Crown Packaging Technology, Inc.,**  
Alsip, IL (US)

(\*\*) Term: **14 Years**

(21) Appl. No.: **29/417,415**

(22) Filed: **Apr. 3, 2012**

(30) **Foreign Application Priority Data**

Oct. 10, 2011 (EM) ..... 001929613-0003

(51) **LOC (9) Cl.** ..... **09-01**

(52) **U.S. Cl.**  
USPC ..... **D9/777**

(58) **Field of Classification Search** ..... D9/438,  
D9/440, 500, 502, 516, 530, 537, 539, 540,  
D9/552, 554, 556-558, 763-783; 215/381-385;  
220/660, 662, 669

See application file for complete search history.

(56) **References Cited**

**U.S. PATENT DOCUMENTS**

D299,426 S \* 1/1989 Andersson et al. .... D9/780  
D357,414 S \* 4/1995 Kornick et al. .... D9/776  
D398,531 S \* 9/1998 De Vries ..... D9/776

D531,056 S \* 10/2006 Ioannides et al. .... D9/776  
D536,262 S \* 2/2007 Ioannides et al. .... D9/774  
D536,263 S \* 2/2007 Ioannides et al. .... D9/776  
D536,264 S \* 2/2007 Ioannides et al. .... D9/776  
D543,845 S \* 6/2007 Ioannides et al. .... D9/500  
D546,706 S \* 7/2007 Ioannides et al. .... D9/777  
D546,707 S \* 7/2007 Ioannides et al. .... D9/777  
D549,596 S \* 8/2007 Ioannides et al. .... D9/776  
D588,936 S \* 3/2009 Ioannides et al. .... D9/776  
D614,049 S \* 4/2010 Diss et al. .... D9/776  
D631,759 S \* 2/2011 Diss et al. .... D9/774  
D632,187 S \* 2/2011 Diss et al. .... D9/774

\* cited by examiner

*Primary Examiner* — Keli L Hill

(74) *Attorney, Agent, or Firm* — The Patentwise Group,  
LLC

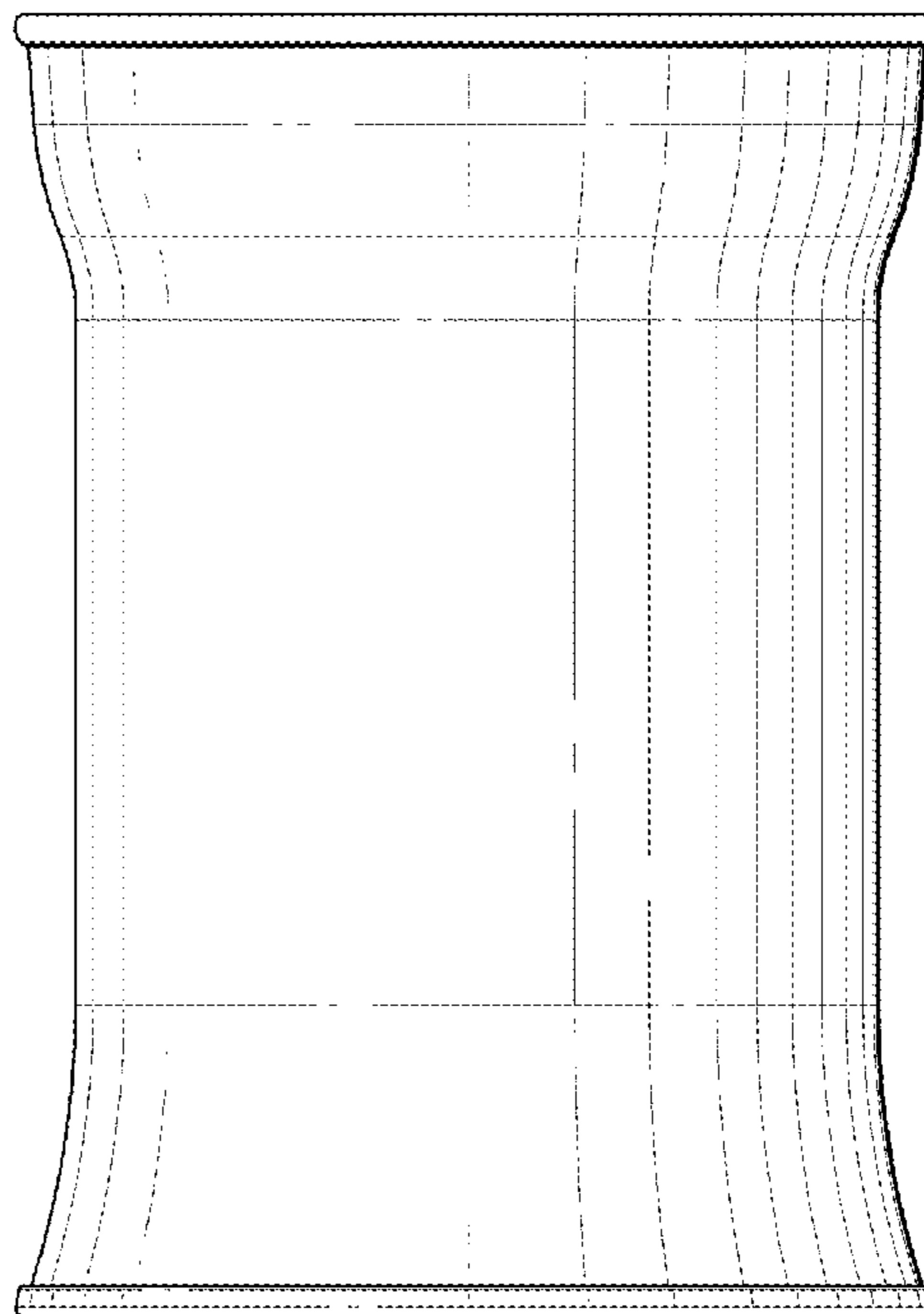
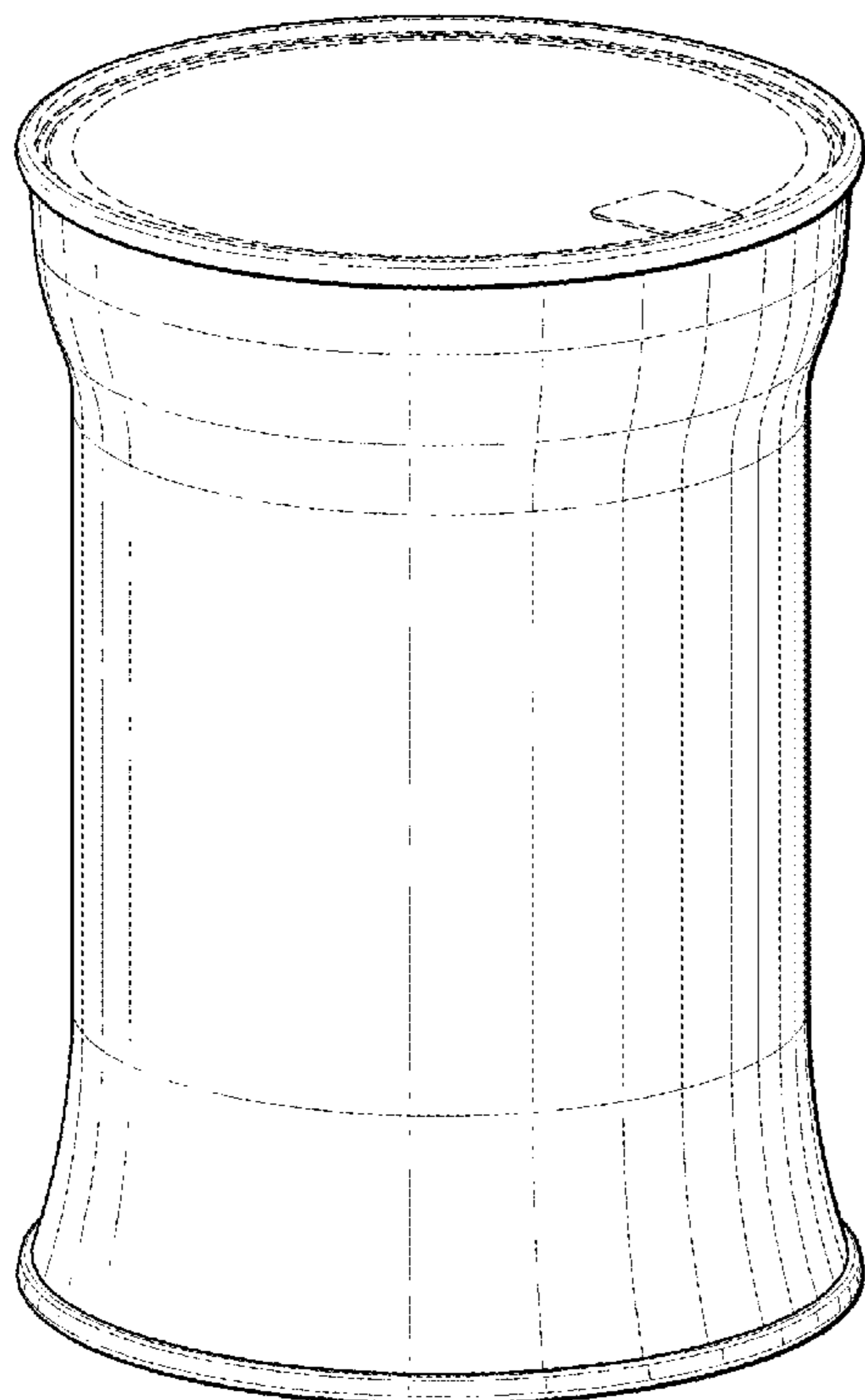
(57) **CLAIM**

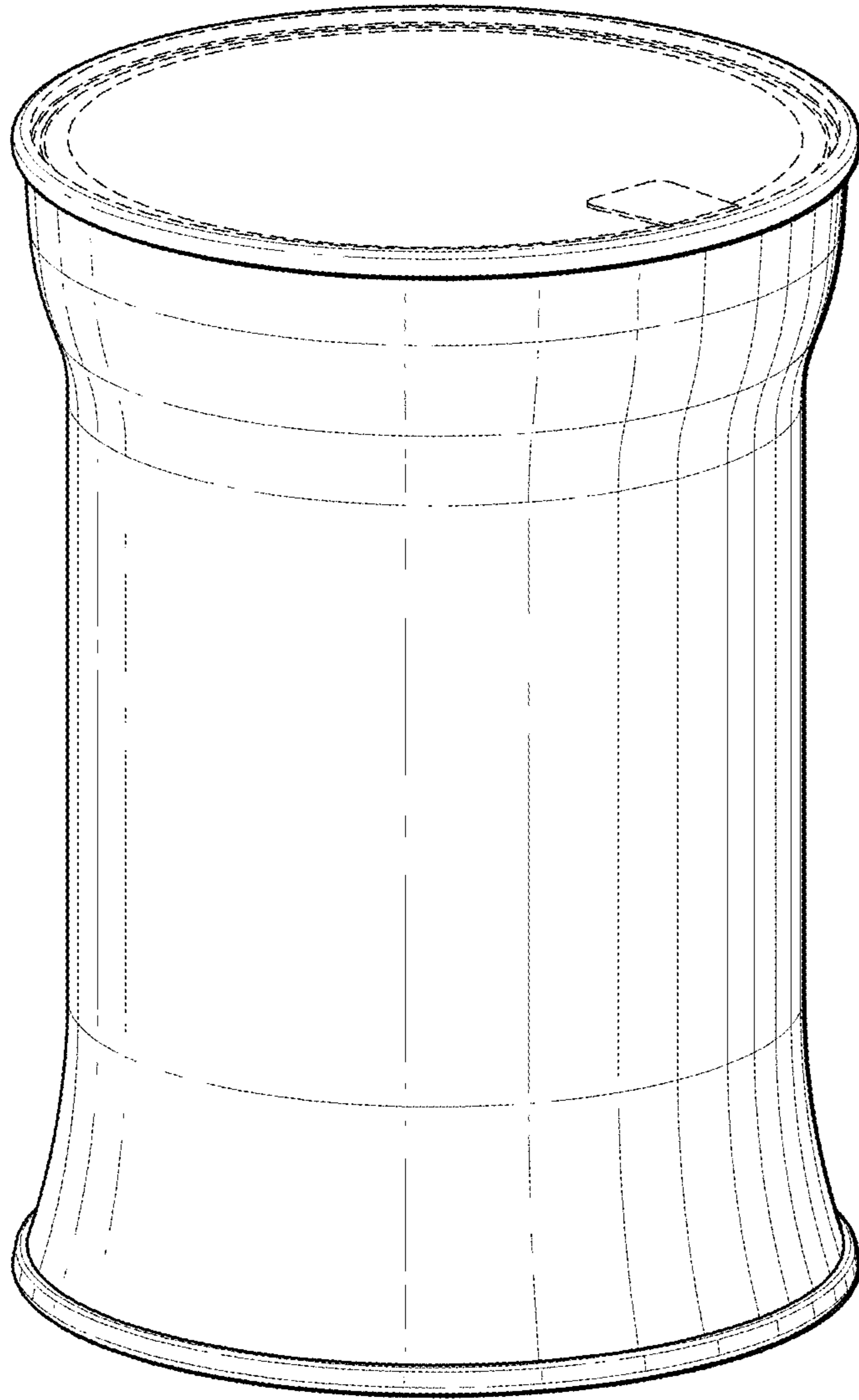
The ornamental design for a “metal can,” as shown and described.

**DESCRIPTION**

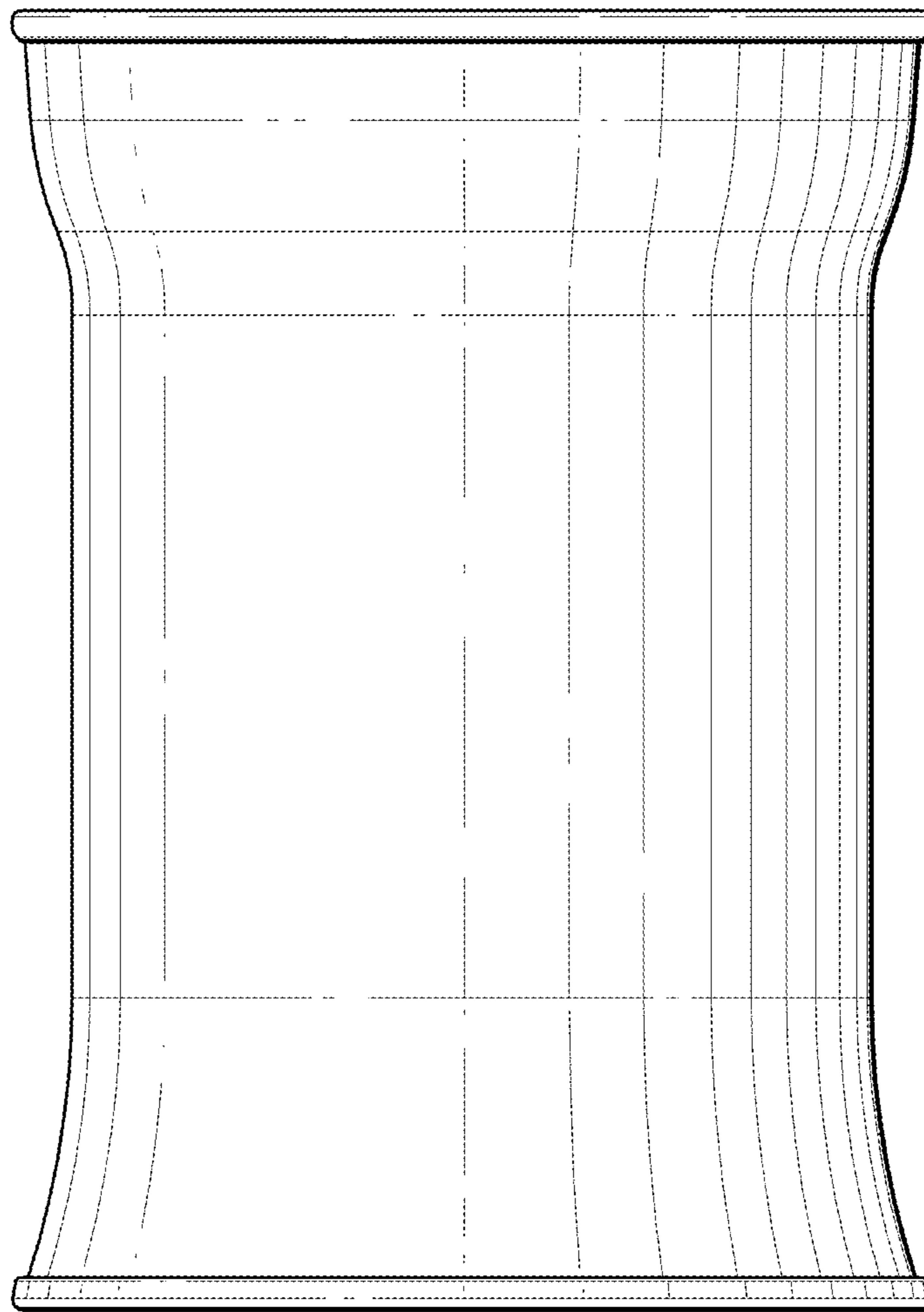
FIG. 1 is a perspective view showing my new design;  
FIG. 2 is a front elevational view, with a rear elevational view having the same appearance;  
FIG. 3 is a first side elevational view, with a second, opposite side elevational view having the same appearance;  
FIG. 4 is a top plan view; and,  
FIG. 5 is a bottom plan view.  
The broken lines in the drawings depict probable environment only and form no part of the claimed design.

**1 Claim, 4 Drawing Sheets**

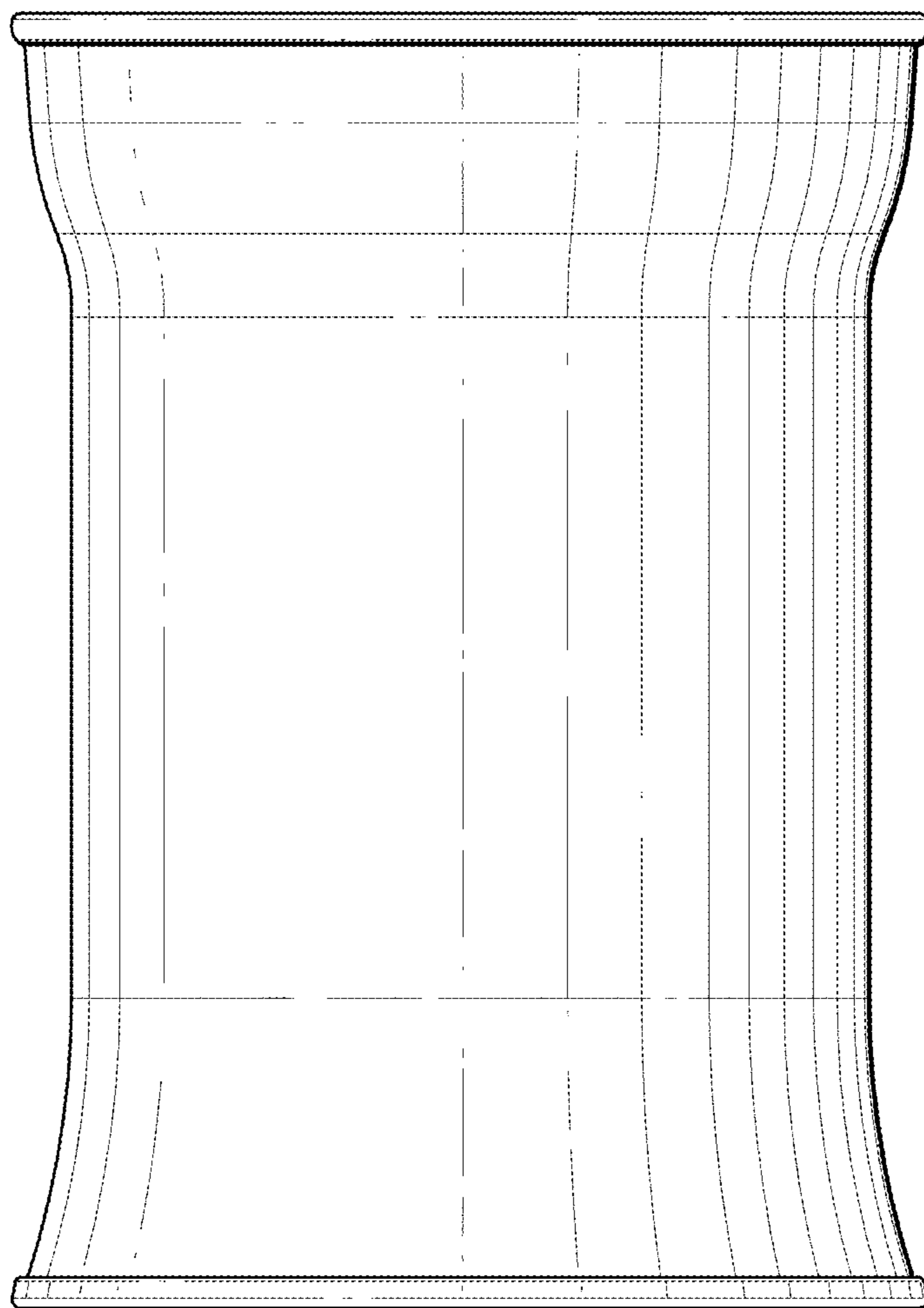




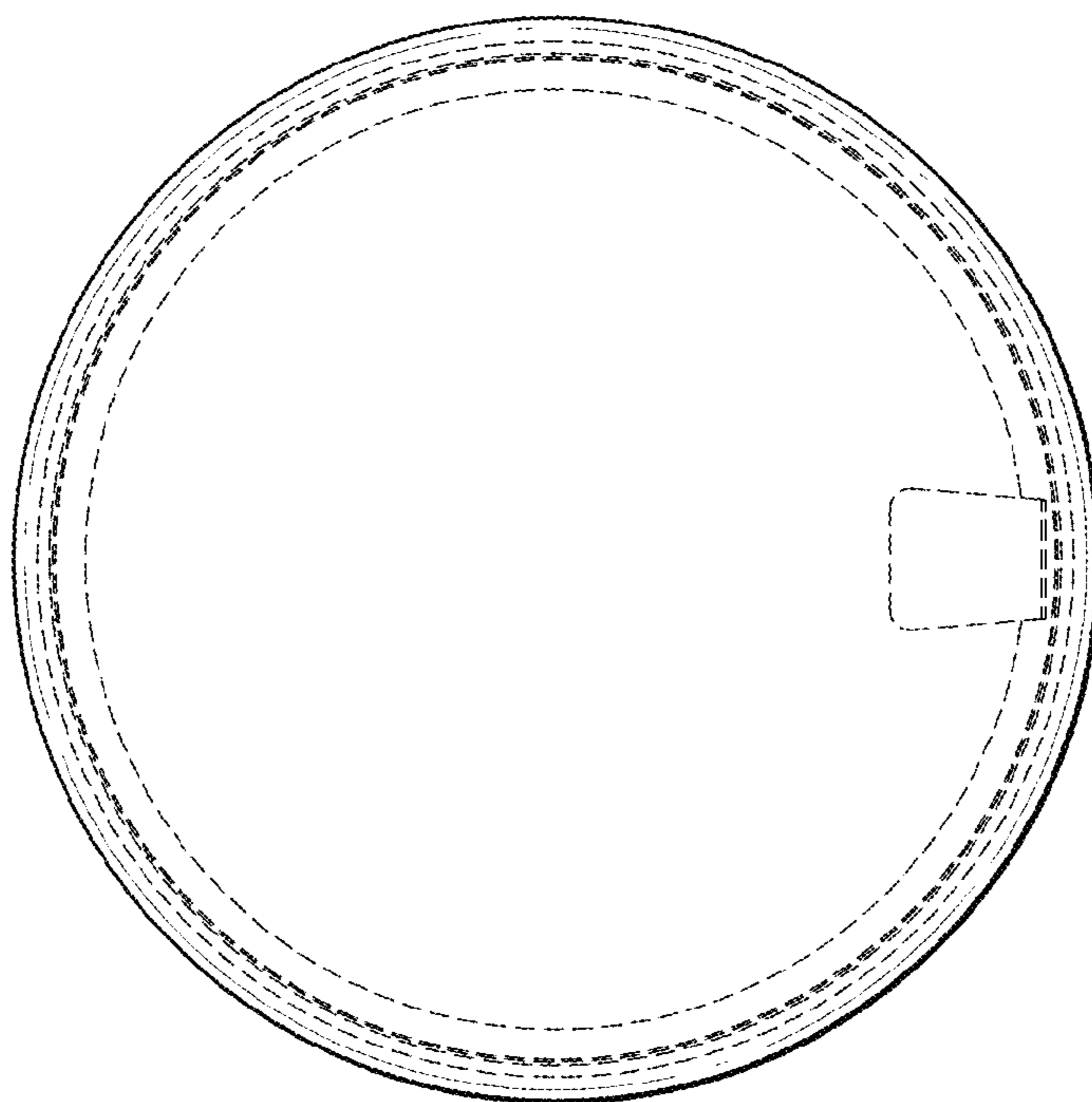
*FIG. 1*



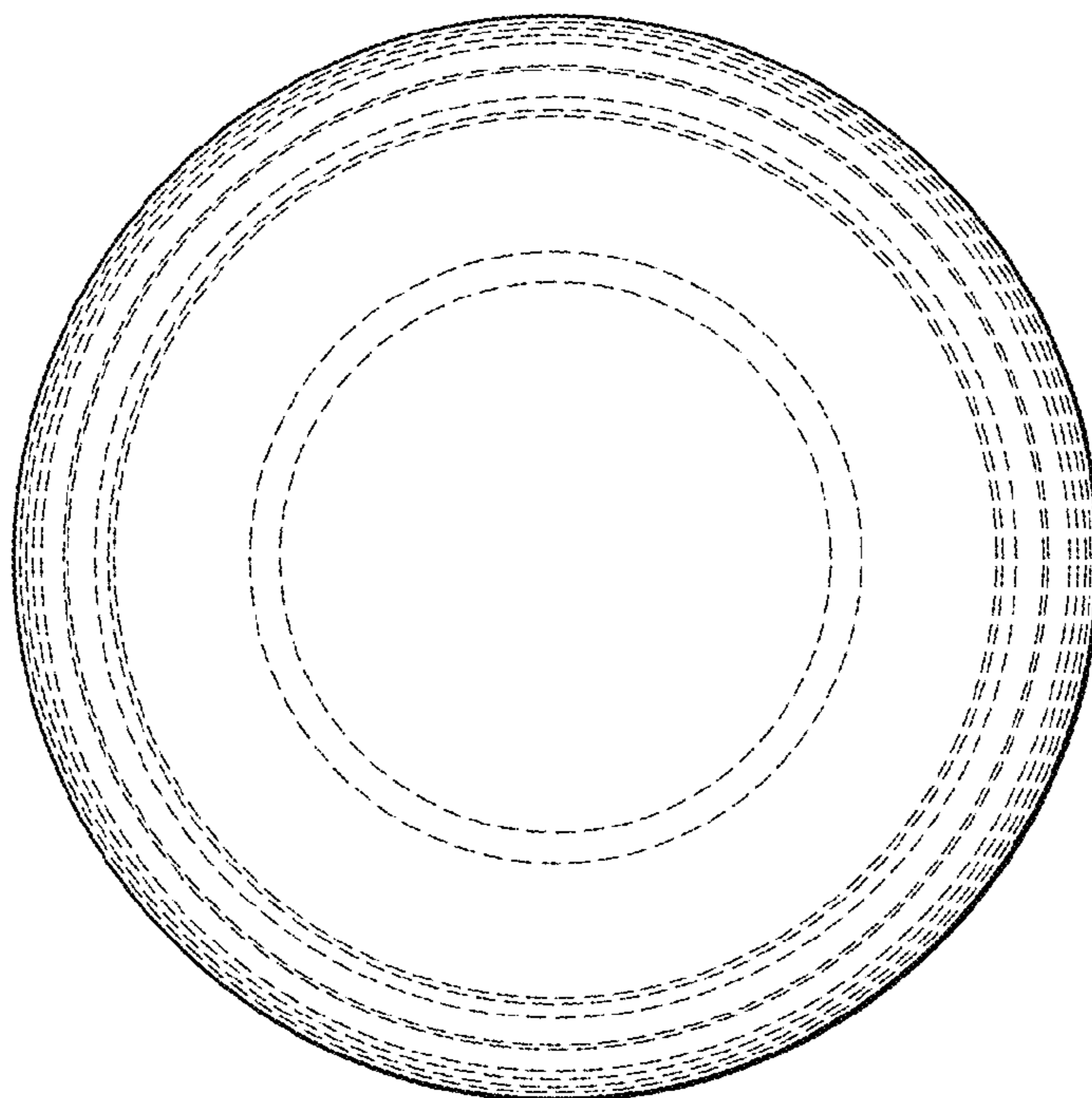
*FIG. 2*



*FIG. 3*



*FIG. 4*



*FIG. 5*