



US00D681477S

(12) **United States Design Patent**
Gumruk

(10) **Patent No.:** **US D681,477 S**

(45) **Date of Patent:** **** *May 7, 2013**

(54) **STACK OF FLOORING TILES**

(76) **Inventor:** **Selman Gumruk, Fairfax, VA (US)**

(*) **Notice:** This patent is subject to a terminal disclaimer.

(**) **Term:** **14 Years**

(21) **Appl. No.:** **29/414,051**

(22) **Filed:** **Feb. 24, 2012**

(51) **LOC (9) Cl.** **09-03**

(52) **U.S. Cl.**
USPC **D9/721**

(58) **Field of Classification Search** D9/414,
D9/418, 420, 421, 423, 704, 711, 715, 718,
D9/721, 722, 756, 759; 206/218, 215, 733,
206/223, 545, 575, 576, 322, 323, 324, 325,
206/521, 597, 583, 256; 220/3.8; 229/4.5,
229/103.2, 103.3, 162.1, 193; D3/202, 205,
D3/208, 230, 272, 274; D25/138, 140, 143,
D25/156

See application file for complete search history.

(56) **References Cited**

U.S. PATENT DOCUMENTS

1,716,783	A *	6/1929	Latimer	53/473
1,873,887	A *	8/1932	Heppes	428/192
2,535,422	A *	12/1950	Jones	206/449
2,742,146	A *	4/1956	Lester, Jr.	206/325
2,782,911	A *	2/1957	Fisher	206/223
2,887,219	A *	5/1959	Lester, Jr.	206/325
3,042,193	A *	7/1962	Wendt	206/324
3,063,767	A *	11/1962	Heuer	312/31
3,221,872	A *	12/1965	Wood	206/305
3,416,652	A *	12/1968	Almasy	206/453
3,443,684	A *	5/1969	Taylor	206/451
3,752,301	A *	8/1973	Bluemel	206/583
4,738,359	A *	4/1988	Phillips, Jr.	206/256
5,180,063	A *	1/1993	Sakno	206/582
5,323,896	A *	6/1994	Jones	206/223
5,678,691	A *	10/1997	Amado-Aguilar et al.	206/451
5,893,462	A *	4/1999	Ridgeway	206/583

6,254,908	B1 *	7/2001	Winters	426/118
7,559,425	B2 *	7/2009	Hsu et al.	206/576
7,565,971	B2 *	7/2009	Jenkins et al.	206/323
7,942,262	B2 *	5/2011	Watanabe et al.	206/321

* cited by examiner

Primary Examiner — Derrick Holland

Assistant Examiner — Lauren Calve

(74) *Attorney, Agent, or Firm* — QuickPatents; Kevin Prince

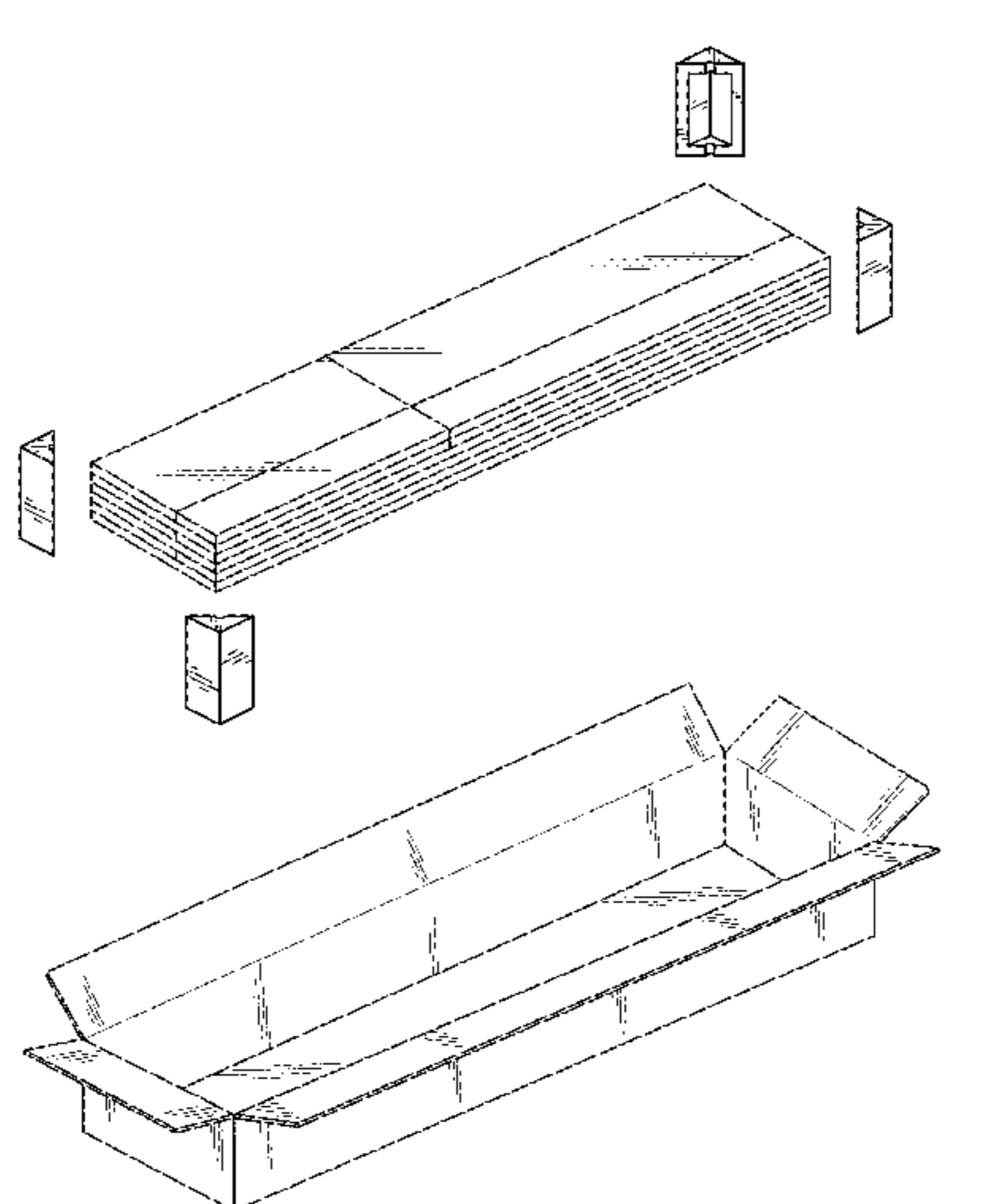
(57) **CLAIM**

I claim the ornamental design for a stack of flooring tiles, as shown and described.

DESCRIPTION

FIG. 1 is an exploded perspective view of a stack of flooring tiles, showing my new design;
 FIG. 2 is a perspective view thereof, a container of the design omitted for clarity of illustration;
 FIG. 3 is a left-side elevational view of FIG. 2, the right-side elevational view being a mirror image thereof;
 FIG. 4 is a top plan view of FIG. 2;
 FIG. 5 is a bottom plan view of FIG. 2;
 FIG. 6 is a front elevational view of FIG. 2, the rear elevational view being a mirror image thereof;
 FIG. 7 is a perspective view thereof;
 FIG. 8 is a left-side elevational view of FIG. 7, the right-side elevational view being a mirror image thereof;
 FIG. 9 is a top plan view of FIG. 7, the bottom plan view being a mirror image thereof;
 FIG. 10 is a front elevational view of FIG. 7, the rear elevational view being a mirror image thereof;
 FIG. 11 is an exploded perspective view of a second embodiment thereof;
 FIG. 12 is a perspective view of FIG. 11; and
 FIG. 13 is a left-side elevational view of FIG. 11, the right-side elevational view being a mirror image thereof; and,
 FIG. 14 is a top plan view of FIG. 11, the bottom plan view being a mirror image thereof.

1 Claim, 5 Drawing Sheets



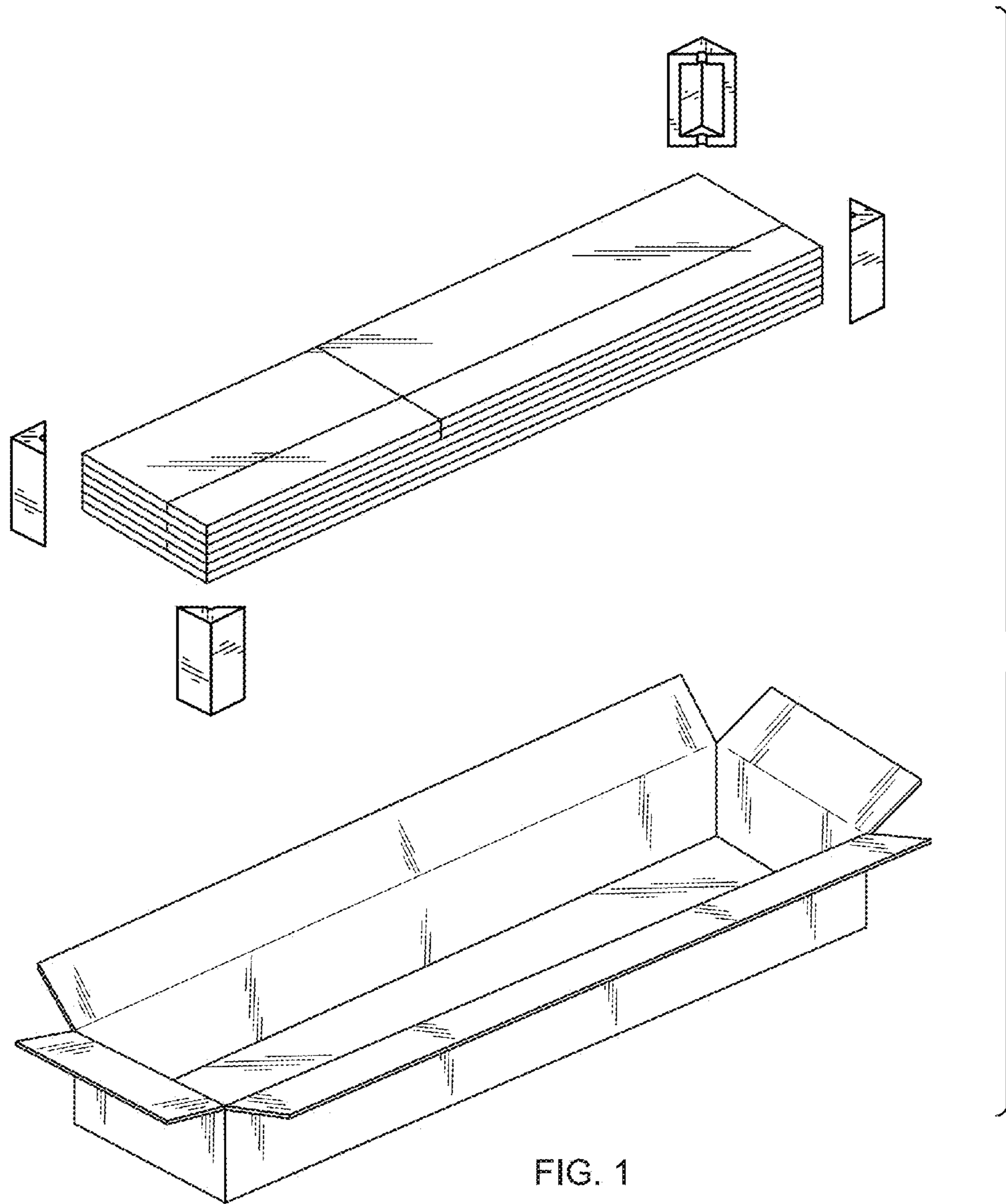


FIG. 1

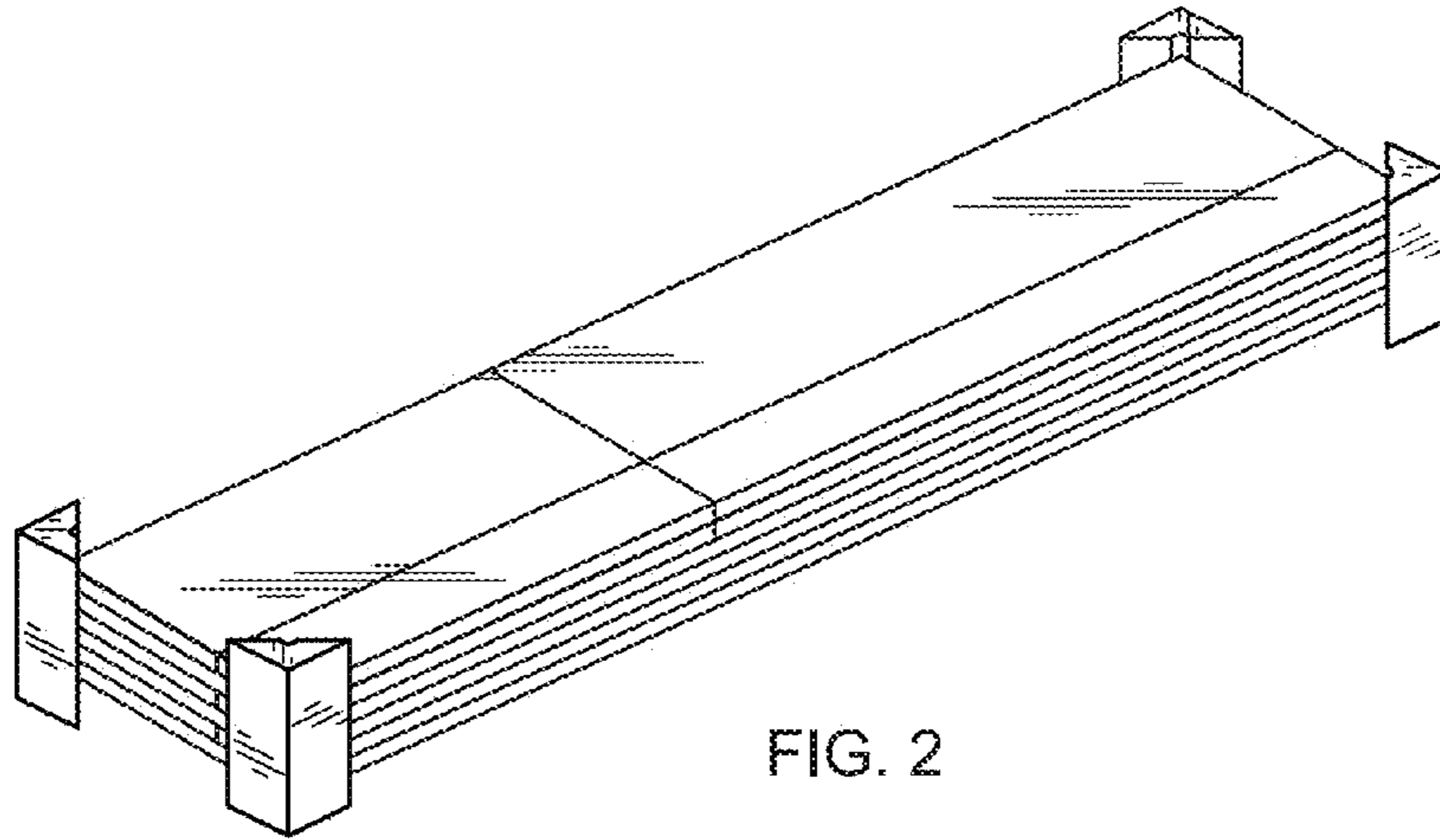


FIG. 2

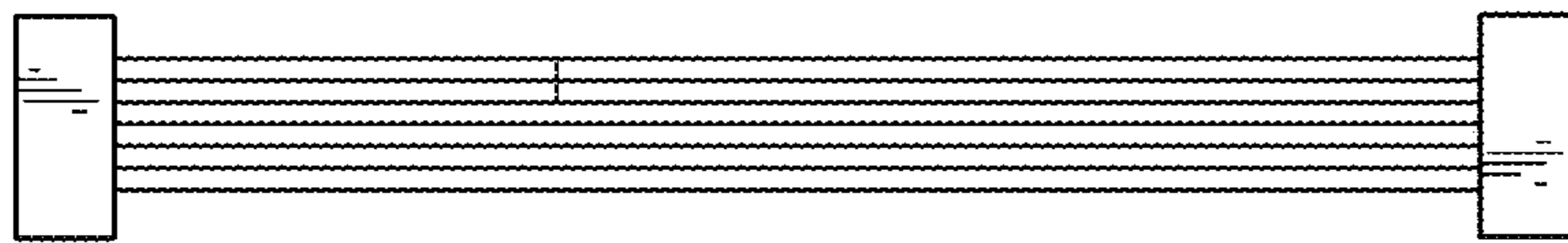


FIG. 3

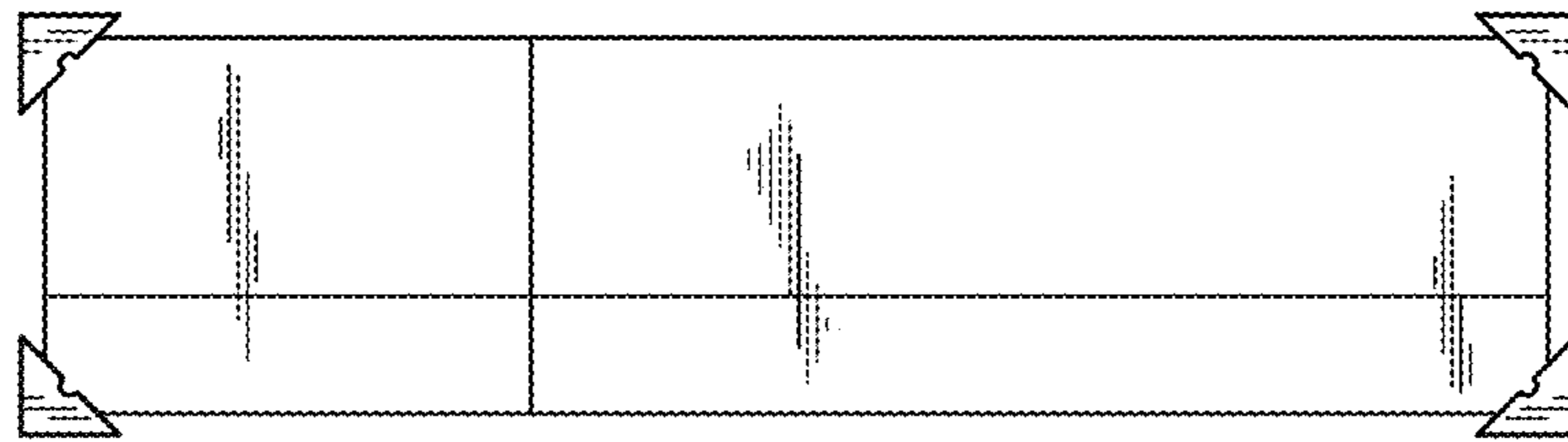


FIG. 4

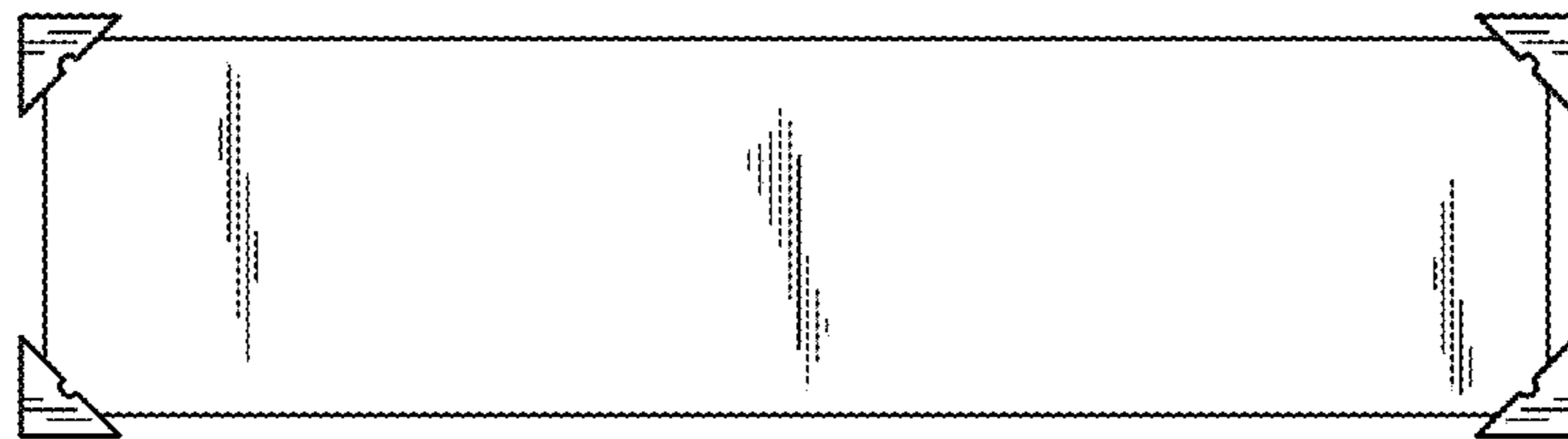


FIG. 5

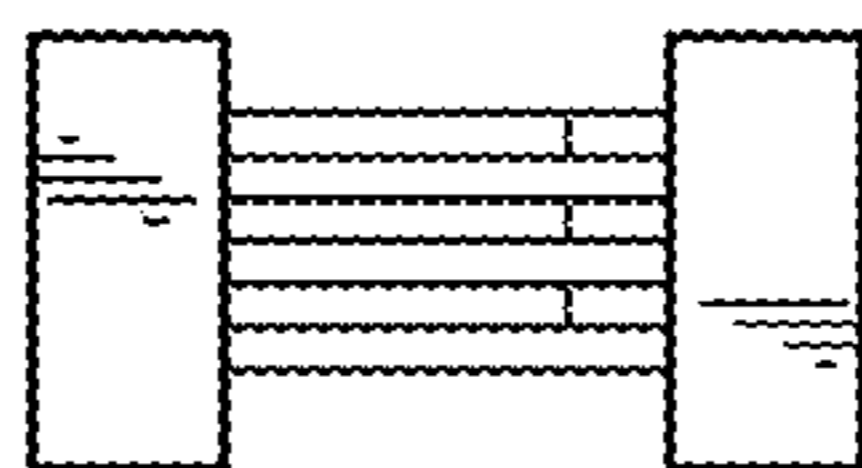


FIG. 6

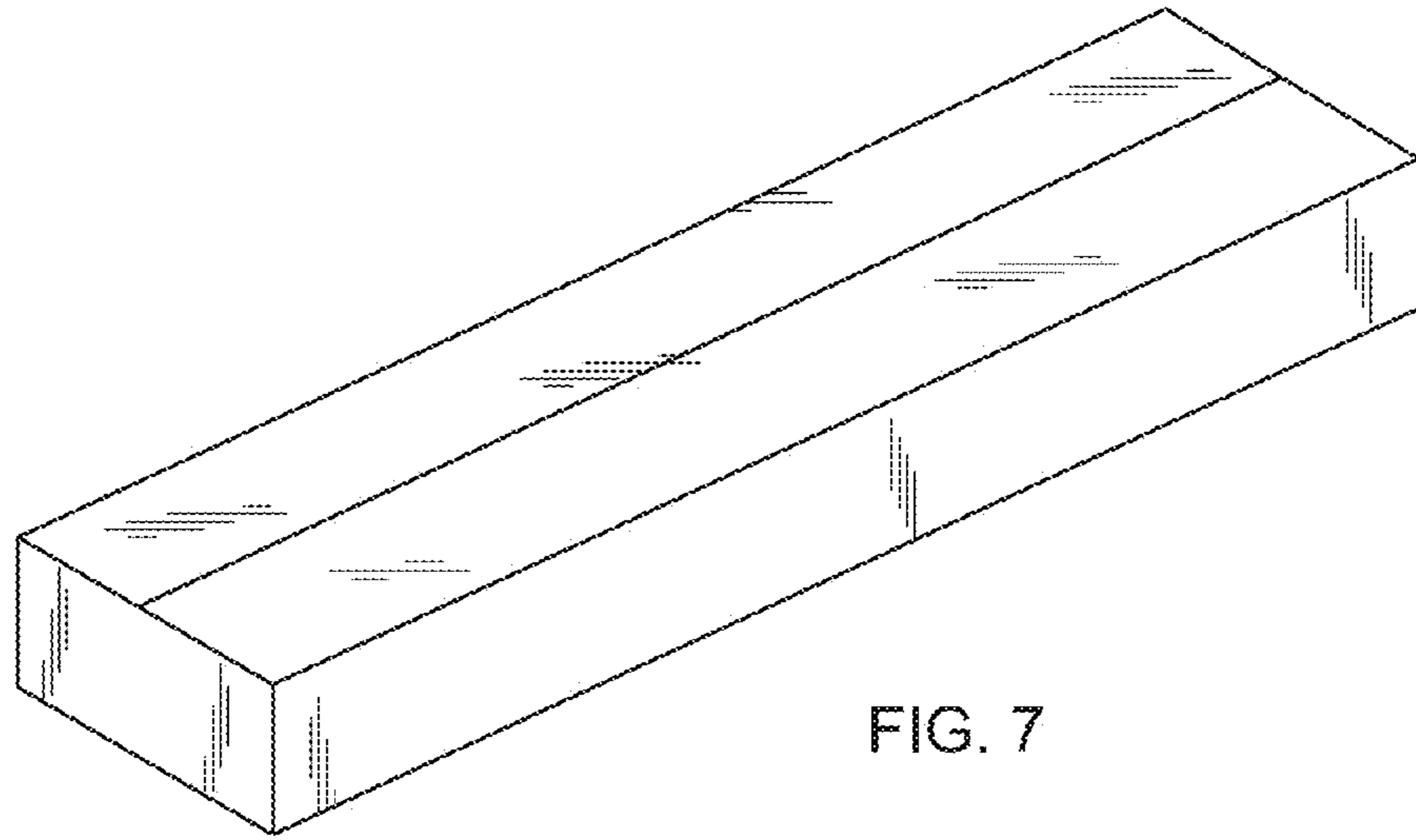


FIG. 7



FIG. 8

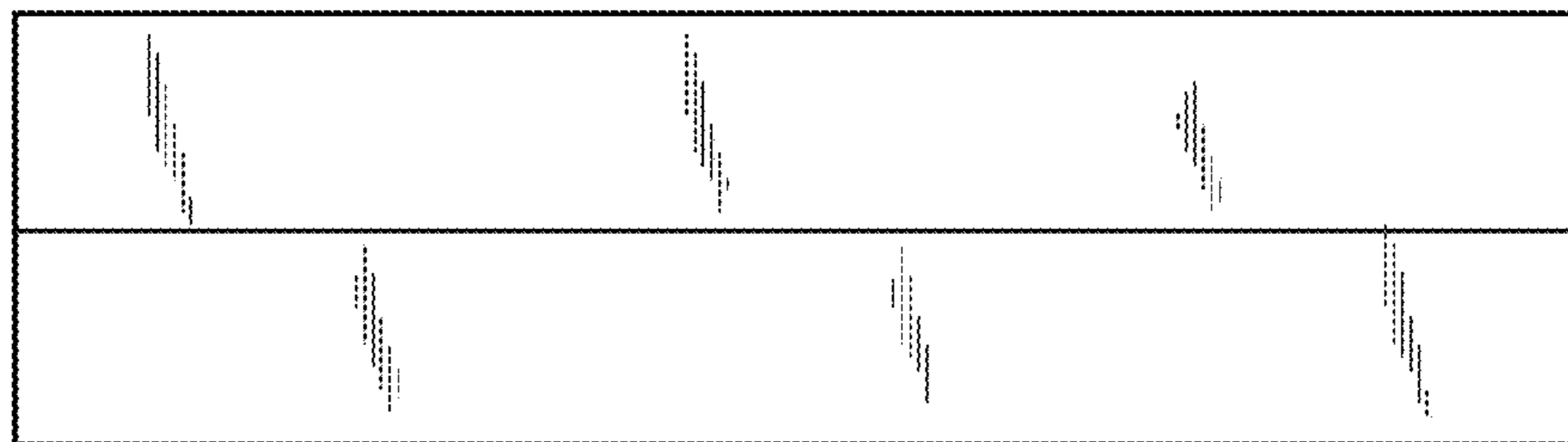


FIG. 9



FIG. 10

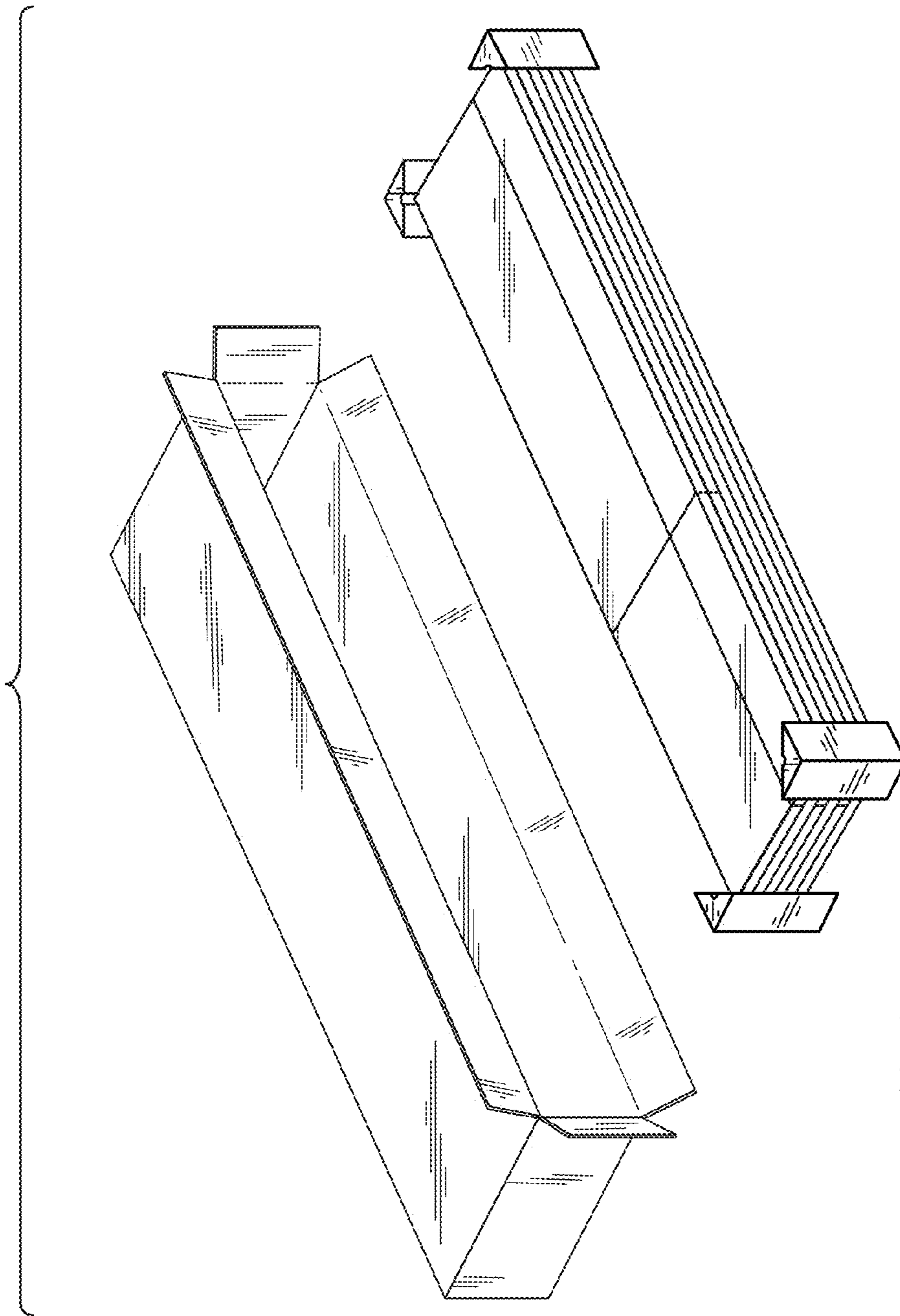


FIG. 11

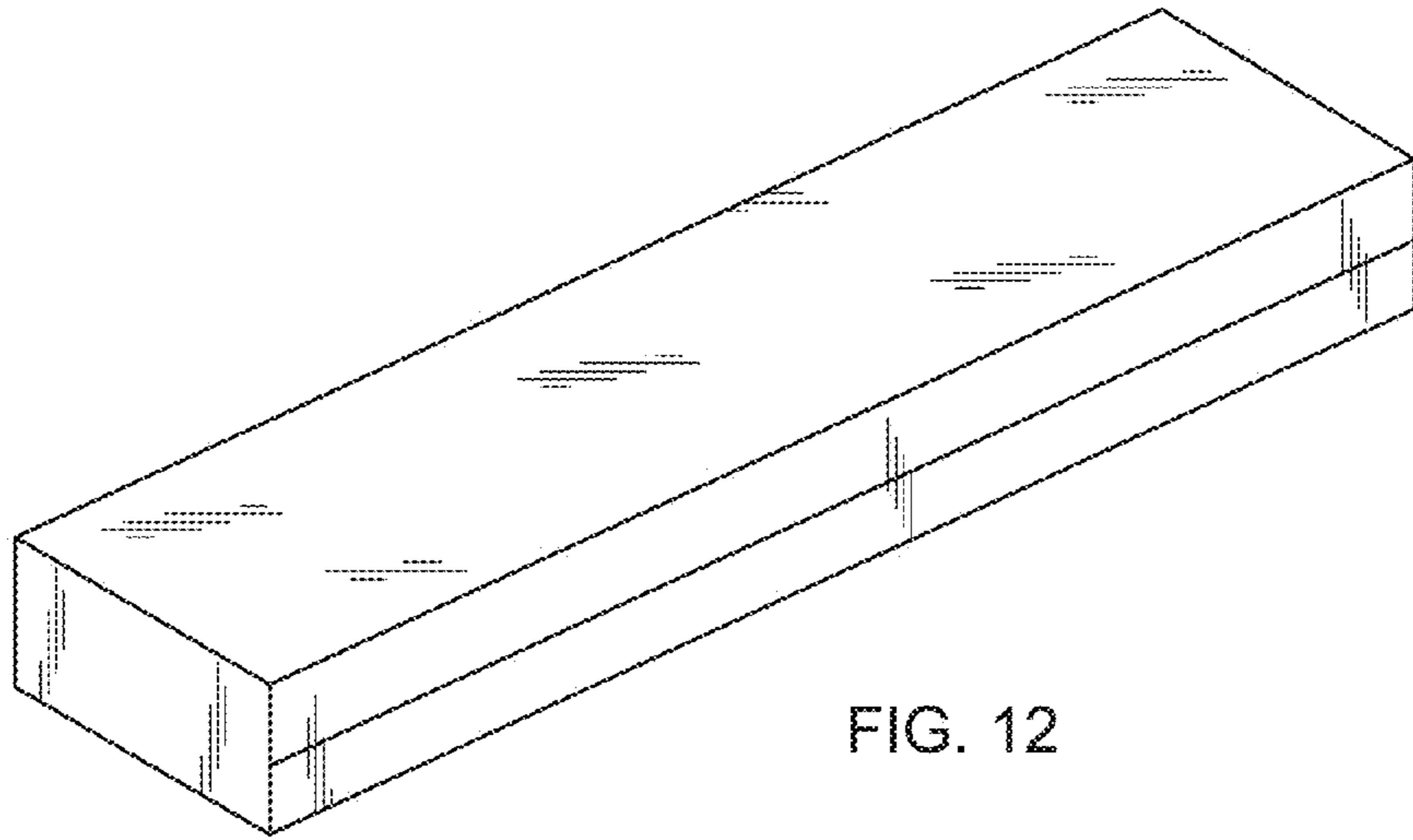


FIG. 12



FIG. 13

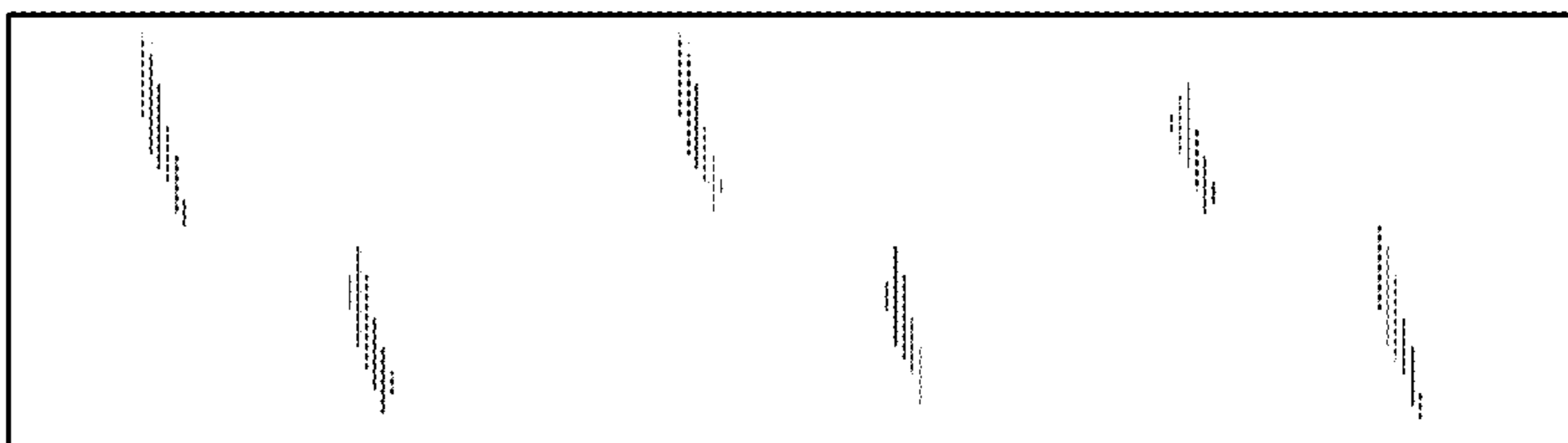


FIG. 14