



US00D681471S

(12) **United States Design Patent**  
**Ardila B.**

(10) **Patent No.:** **US D681,471 S**  
(45) **Date of Patent:** **\*\* May 7, 2013**

(54) **CONTAINER**

(75) Inventor: **Julian Mauricio Ardila B.**, La estrella  
(CO)

(73) Assignee: **Productos Familia S.A.**, Medellin (CO)

(\*\*) Term: **14 Years**

(21) Appl. No.: **29/387,964**

(22) Filed: **Mar. 22, 2011**

(30) **Foreign Application Priority Data**

Oct. 28, 2010 (CO) ..... 10-134020

(51) **LOC (9) Cl.** ..... **09-01**

(52) **U.S. Cl.**  
USPC ..... **D9/529**

(58) **Field of Classification Search** ..... D9/516,  
D9/529-530, 543, 571, 575, 434-435, 447,  
D9/449; D7/601-602, 605, 629; 215/379-384;  
220/660-661, 669-673, 675, 676-677  
See application file for complete search history.

(56) **References Cited**

**U.S. PATENT DOCUMENTS**

|              |         |                |       |        |
|--------------|---------|----------------|-------|--------|
| D107,815 S * | 1/1938  | Barnhart       | ..... | D9/572 |
| D321,132 S * | 10/1991 | Wiseman et al. | ..... | D9/552 |
| D409,489 S * | 5/1999  | Blades         | ..... | D9/449 |
| D489,223 S * | 5/2004  | Jung et al.    | ..... | D7/358 |
| D530,911 S * | 10/2006 | Guitay         | ..... | D3/273 |
| D562,142 S * | 2/2008  | Bunce et al.   | ..... | D9/529 |

|              |         |                 |       |        |
|--------------|---------|-----------------|-------|--------|
| D585,223 S * | 1/2009  | Rust            | ..... | D6/515 |
| D587,587 S * | 3/2009  | Schwartz et al. | ..... | D9/529 |
| D619,466 S * | 7/2010  | Synder          | ..... | D9/522 |
| D651,092 S * | 12/2011 | Bowers et al.   | ..... | D9/540 |

\* cited by examiner

*Primary Examiner* — Wan Laymon

(74) *Attorney, Agent, or Firm* — Alston & Bird LLP

(57) **CLAIM**

The ornamental design for a container, as shown and described.

**DESCRIPTION**

FIG. 1 is a left side perspective or isometric view of the container of the present invention;

FIG. 2 is a right side perspective or isometric view of the container of the present invention;

FIG. 3 is a front side elevational view of the container of the present invention;

FIG. 4 is a bottom plan view of the container of the present invention;

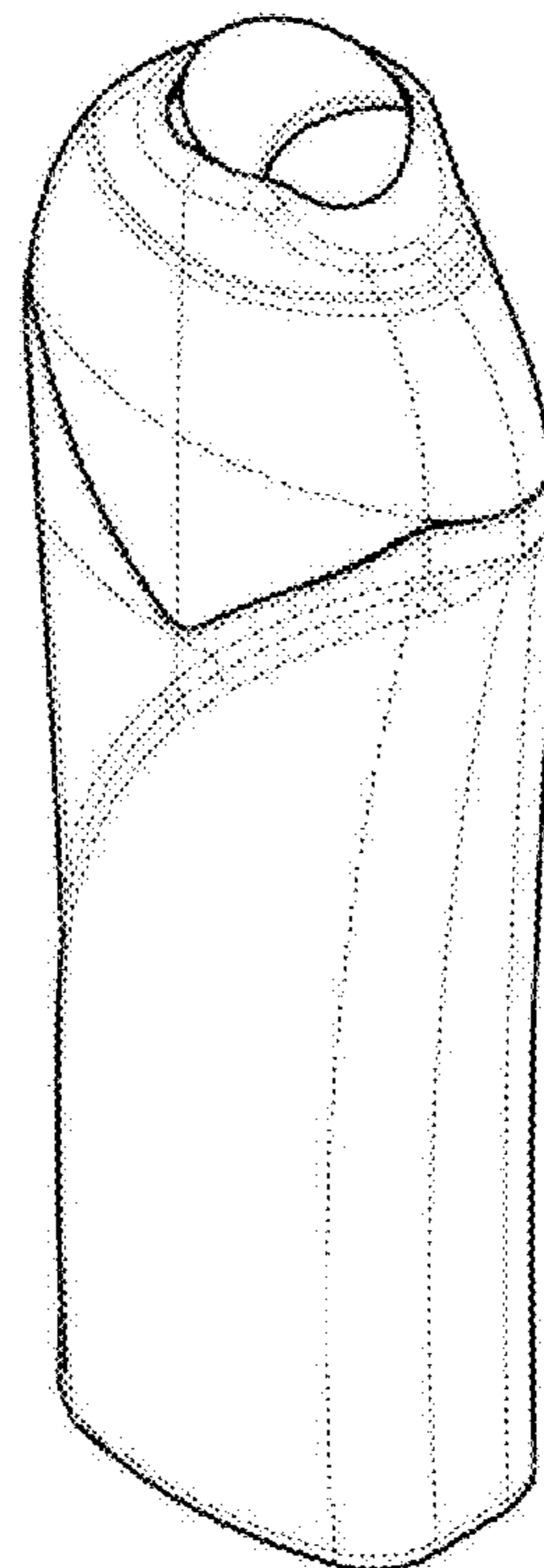
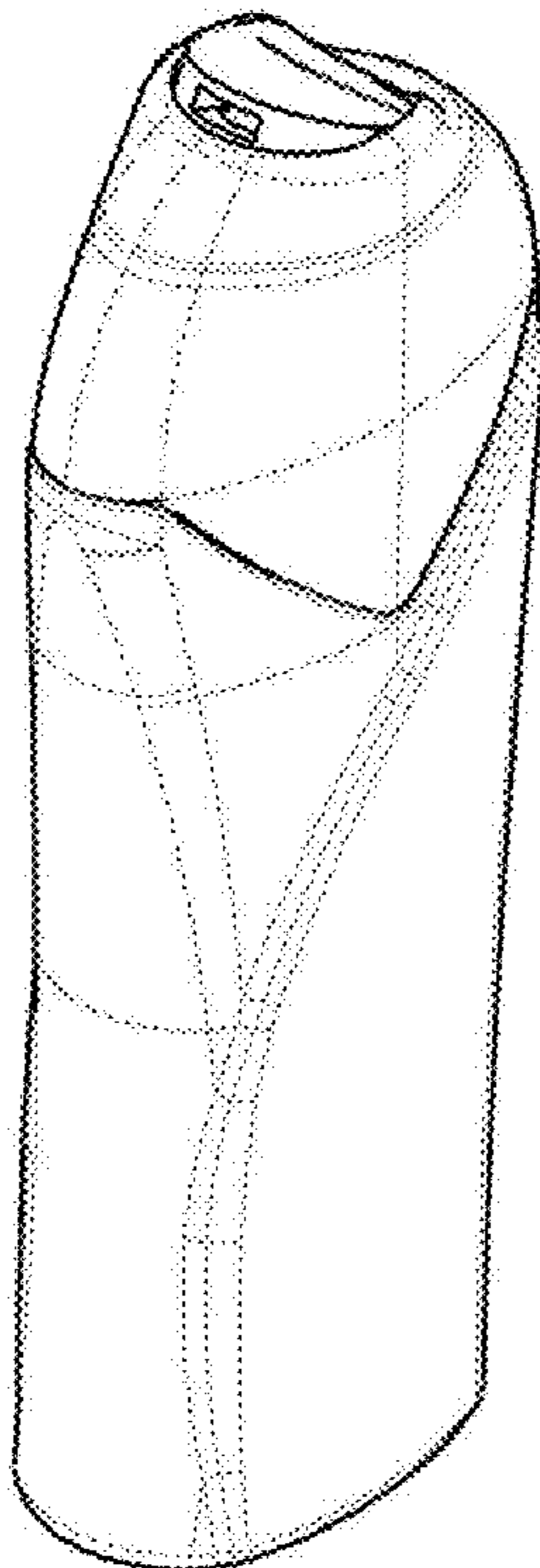
FIG. 5 is a right side elevational view of the container of the present invention;

FIG. 6 is a left side elevational view of the container of the present invention; and,

FIG. 7 is a top plan view of the container of the present invention.

The broken lines in FIGS. 4-6 are included for the purpose of illustrating a portion of the container that forms no part of the claimed design.

**1 Claim, 7 Drawing Sheets**



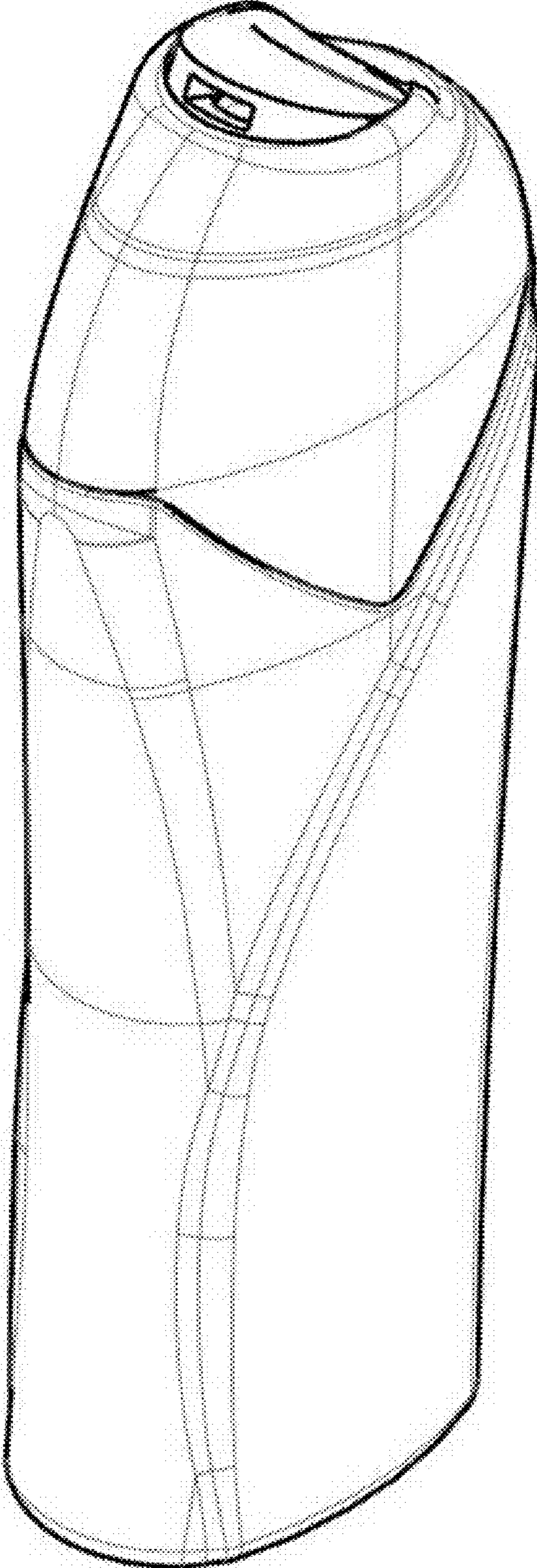


Figure 1

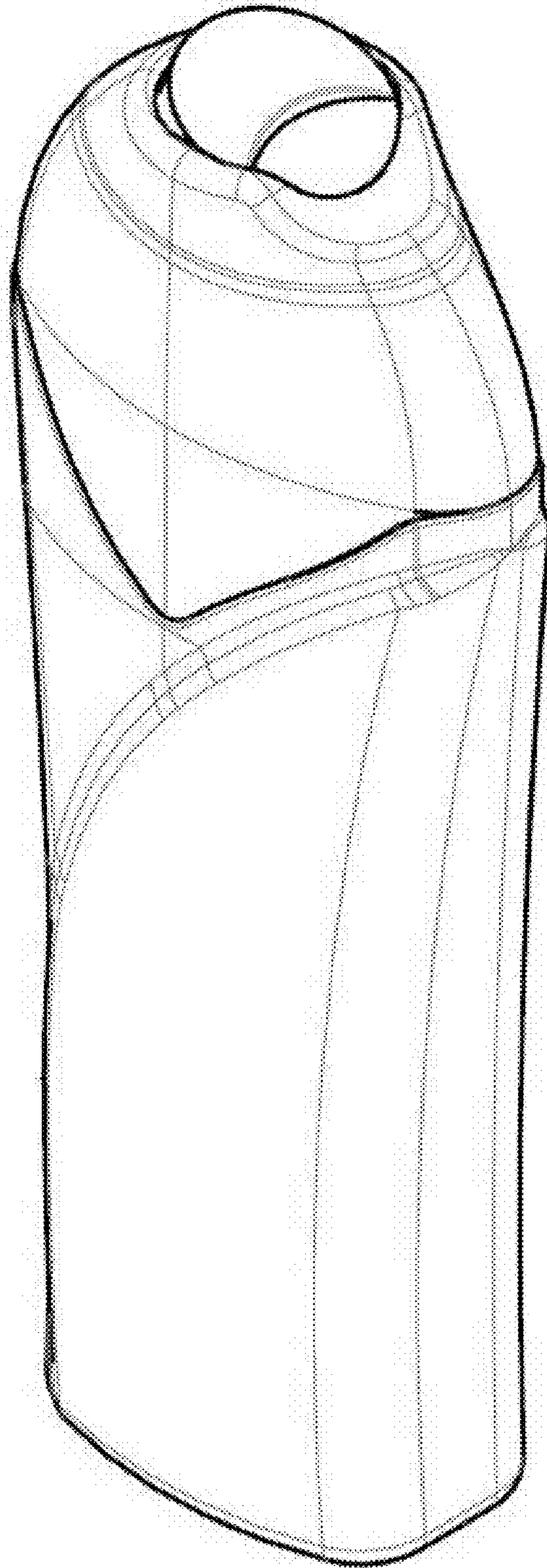


Figure 2

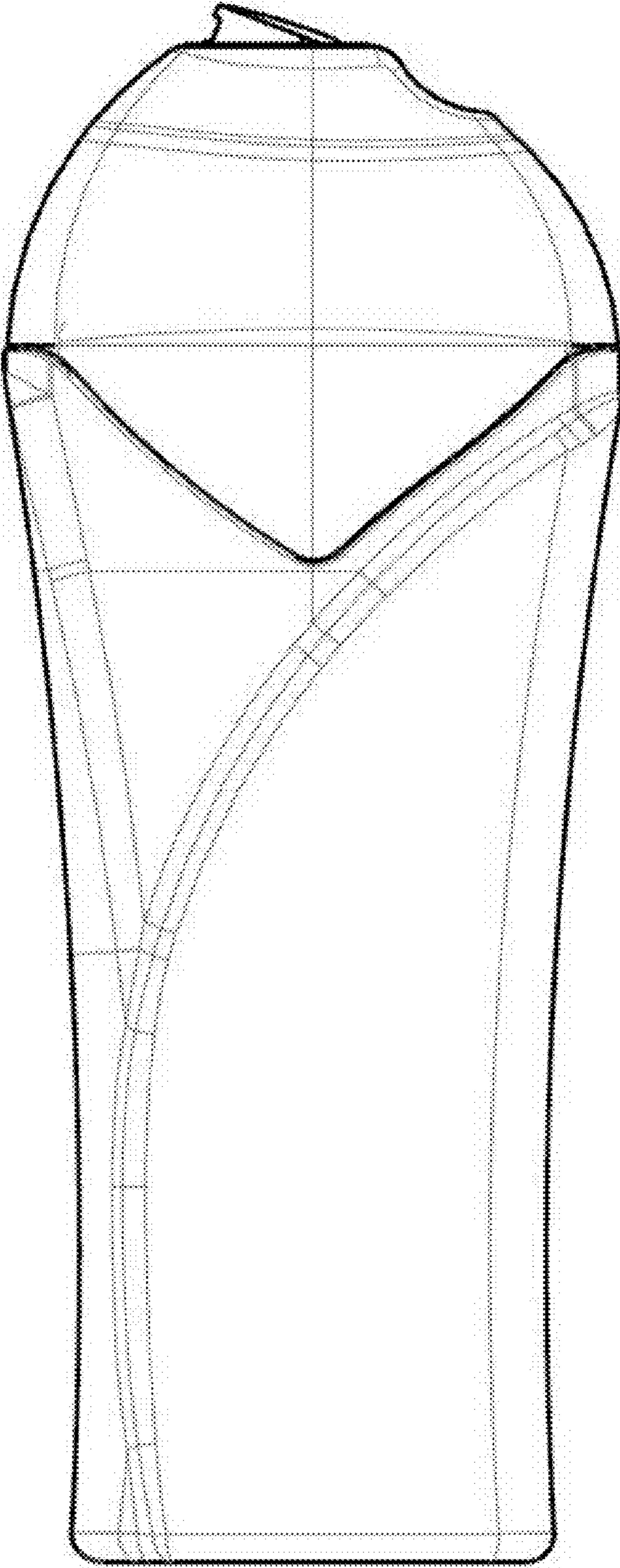


Figure 3

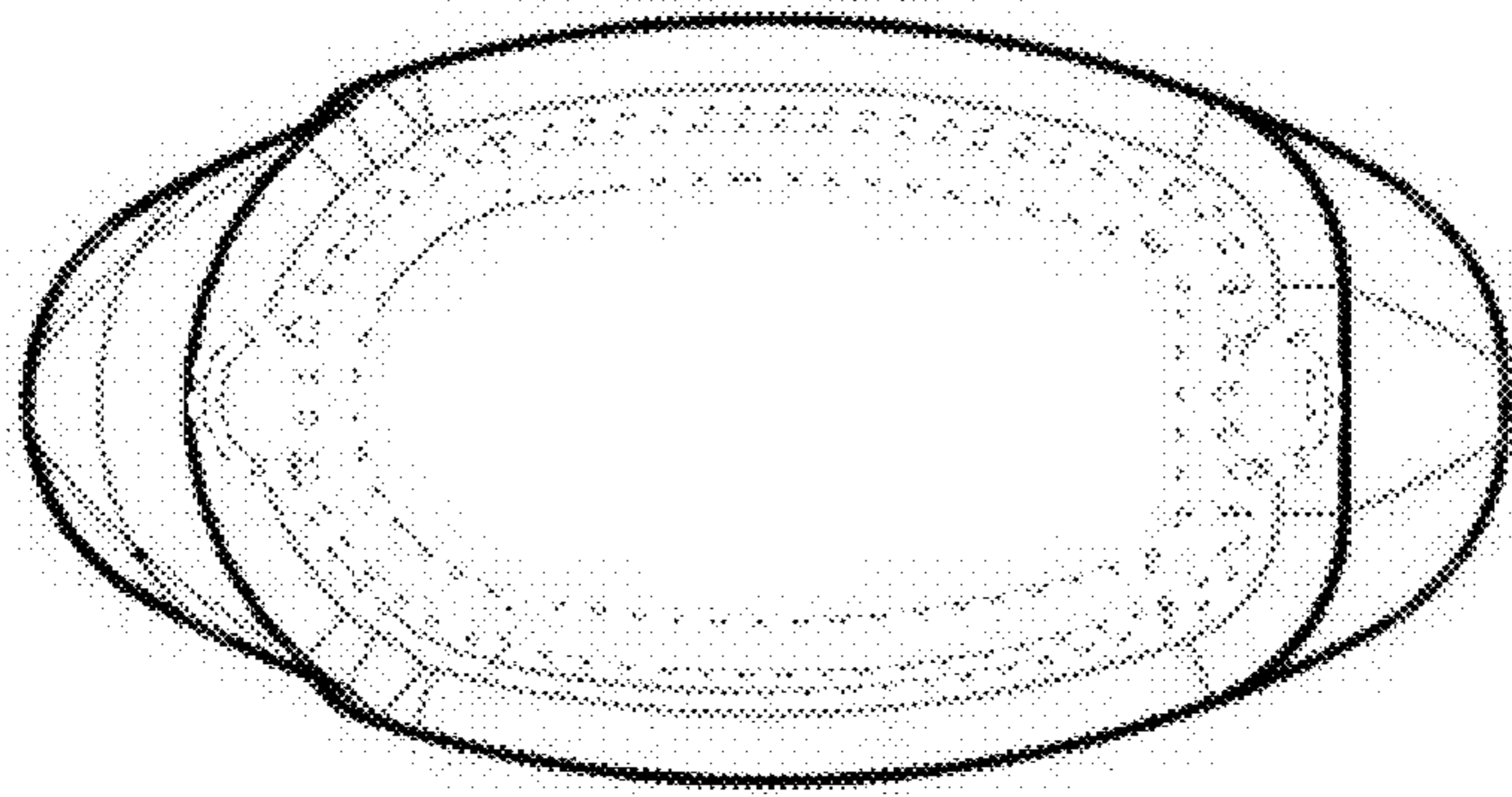


Figure 4

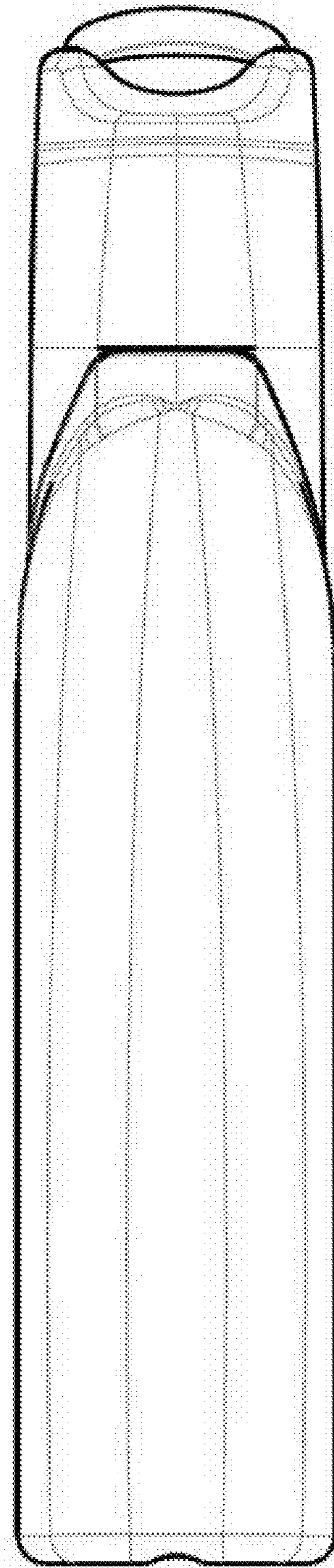


Figure 5

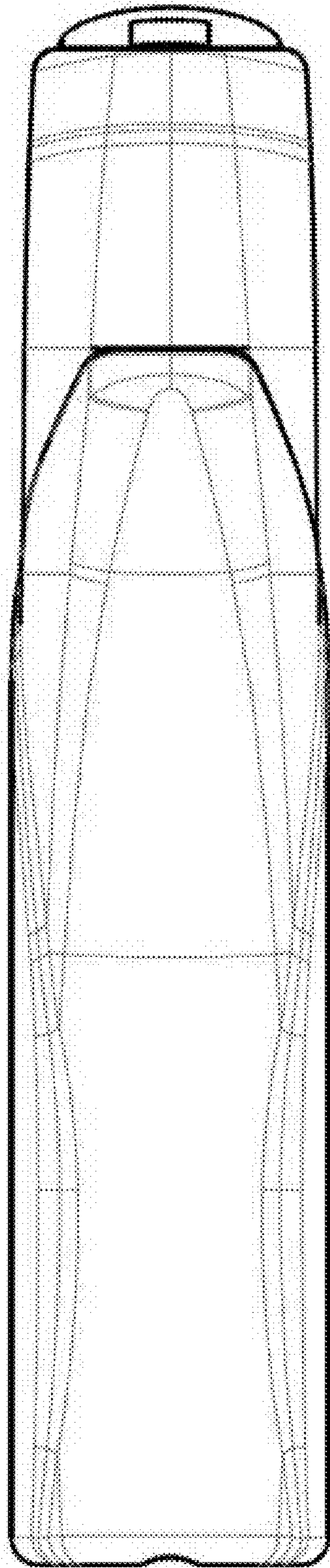


Figure 6

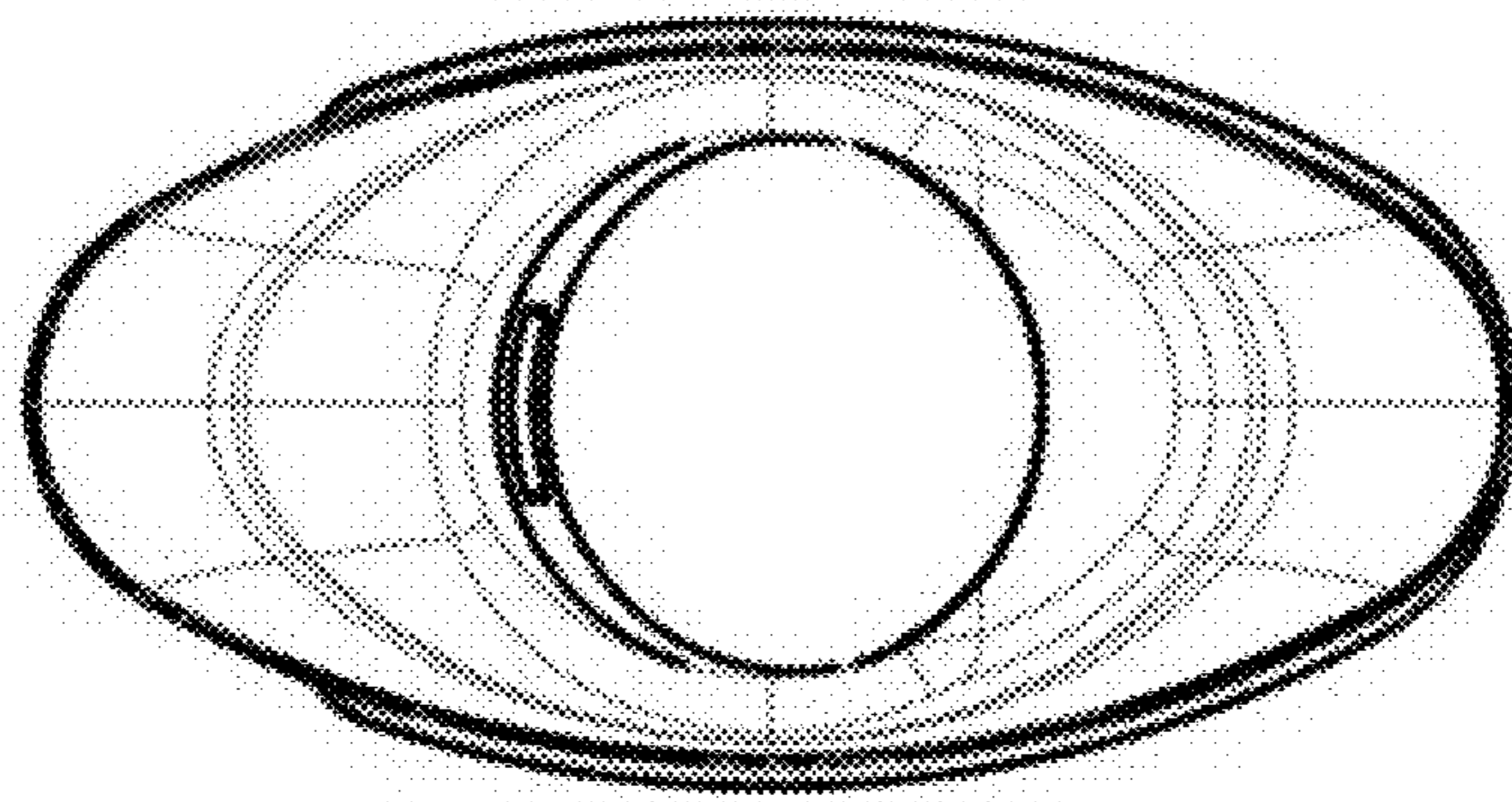


Figure 7



UNITED STATES PATENT AND TRADEMARK OFFICE  
**CERTIFICATE OF CORRECTION**

PATENT NO. : D681,471 S  
APPLICATION NO. : 29/387964  
DATED : May 7, 2013  
INVENTOR(S) : Ardila B.

Page 1 of 9

It is certified that error appears in the above-identified patent and that said Letters Patent is hereby corrected as shown below:

The title page showing the illustrative figure should be deleted to be replaced with the attached title page.

In the Drawings

Figs. 1-7, should be replaced with the corrected Figs. 1-7, as shown as on the attached pages.

Signed and Sealed this  
Eleventh Day of February, 2014



Michelle K. Lee  
*Deputy Director of the United States Patent and Trademark Office*

(12) **United States Design Patent**  
**Ardila B.**

(10) **Patent No.:** **US D681,471 S**  
(45) **Date of Patent:** **\*\* May 7, 2013**

(54) **CONTAINER**

(75) **Inventor:** **Julian Mauricio Ardila B., La estrella (CO)**

(73) **Assignee:** **Productos Familia S.A., Medellin (CO)**

(\*\*) **Term:** **14 Years**

(21) **Appl. No.:** **29/387,964**

(22) **Filed:** **Mar. 22, 2011**

(30) **Foreign Application Priority Data**

Oct. 28, 2010 (CO) ..... 10-134020

(51) **LOC (9) Cl.** ..... **09-01**

(52) **U.S. Cl.**  
**USPC** ..... **D9/529**

(58) **Field of Classification Search** ..... **D9/516,**  
**D9/529-530, 543, 571, 575, 434-435, 447,**  
**D9/449; D7/601-602, 605, 629; 215/379-384;**  
**220/660-661, 669-673, 675, 676-677**  
 See application file for complete search history.

(56) **References Cited**

**U.S. PATENT DOCUMENTS**

D107,815 S \* 1/1938 Barnhart ..... D9/572  
 D321,132 S \* 10/1991 Wiseman et al. .... D9/552  
 D409,489 S \* 5/1999 Blades ..... D9/449  
 D489,223 S \* 5/2004 Jung et al. .... D7/358  
 D530,911 S \* 10/2006 Guitay ..... D3/273  
 D562,142 S \* 2/2008 Bunce et al. .... D9/529

D585,223 S \* 1/2009 Rust ..... D6/515  
 D587,587 S \* 3/2009 Schwartz et al. .... D9/529  
 D619,466 S \* 7/2010 Synder ..... D9/522  
 D651,092 S \* 12/2011 Bowers et al. .... D9/540

\* cited by examiner

*Primary Examiner* — Wan Laymon

(74) *Attorney, Agent, or Firm* — Alston & Bird LLP

(57) **CLAIM**

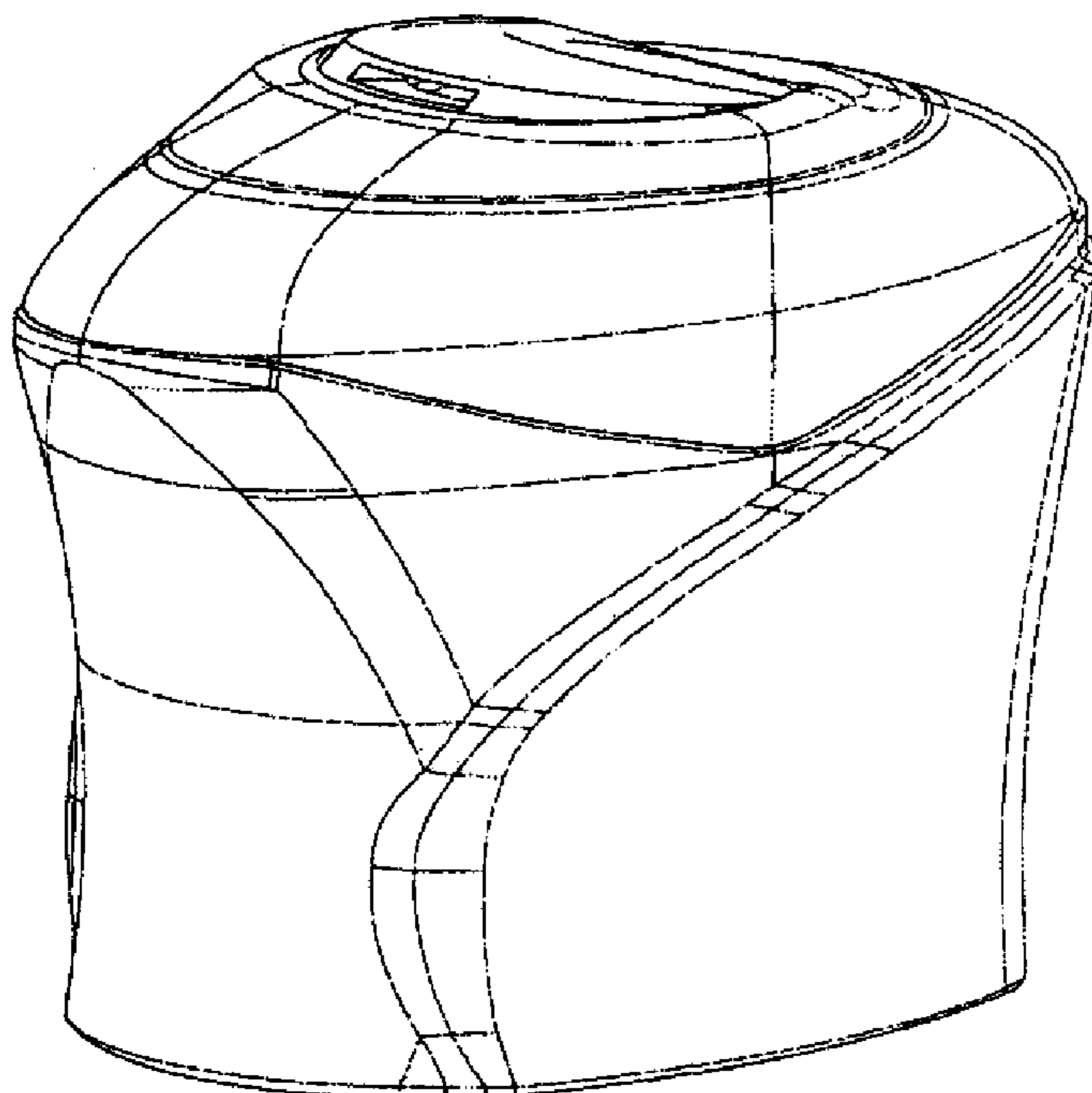
The ornamental design for a container, as shown and described.

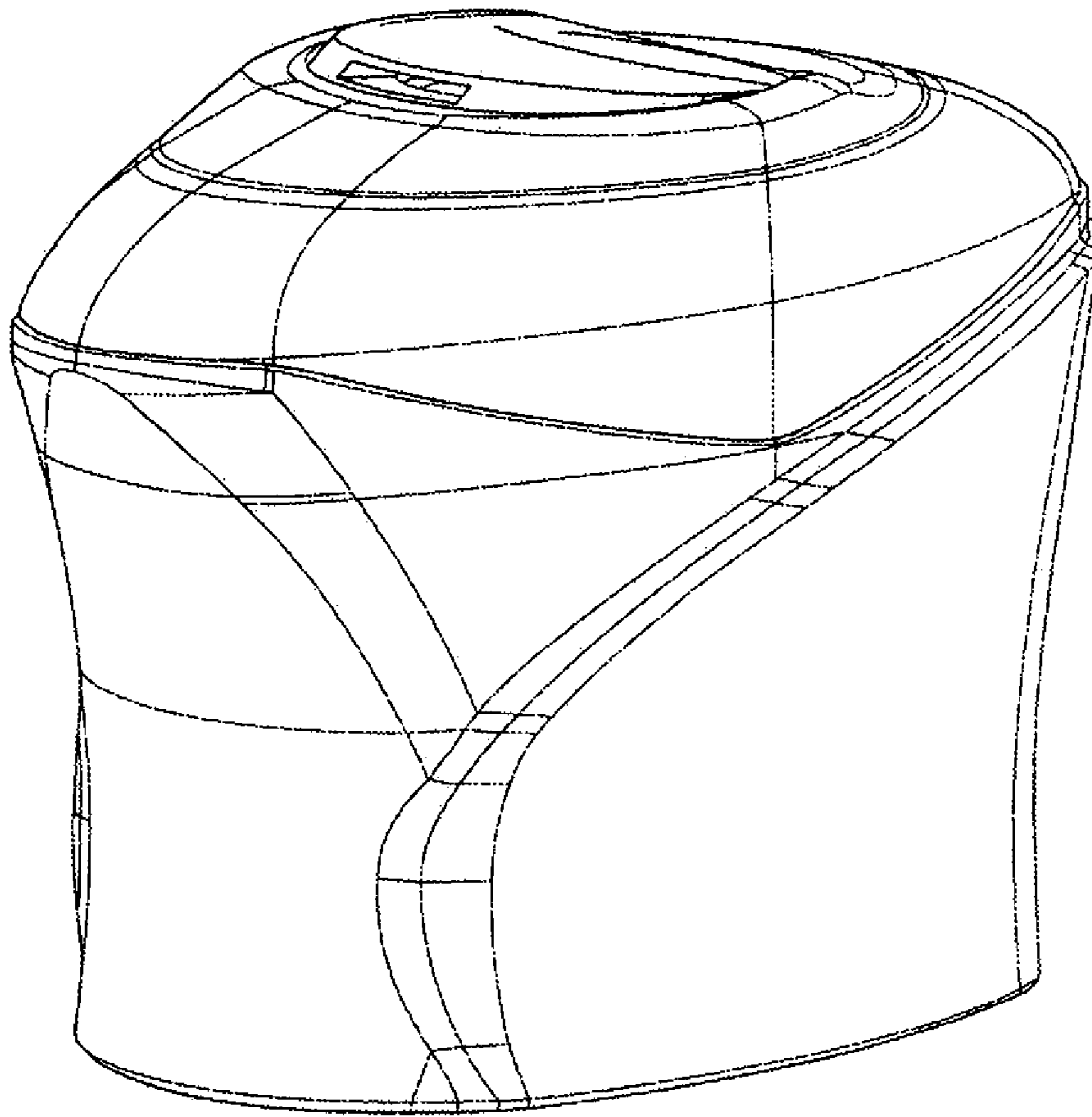
**DESCRIPTION**

FIG. 1 is a left side perspective or isometric view of the container of the present invention;  
 FIG. 2 is a right side perspective or isometric view of the container of the present invention;  
 FIG. 3 is a front side elevational view of the container of the present invention;  
 FIG. 4 is a bottom plan view of the container of the present invention;  
 FIG. 5 is a right side elevational view of the container of the present invention;  
 FIG. 6 is a left side elevational view of the container of the present invention; and,  
 FIG. 7 is a top plan view of the container of the present invention.

The broken lines in FIGS. 4-6 are included for the purpose of illustrating a portion of the container that forms no part of the claimed design.

**1 Claim, 7 Drawing Sheets**





**FIG. 1**

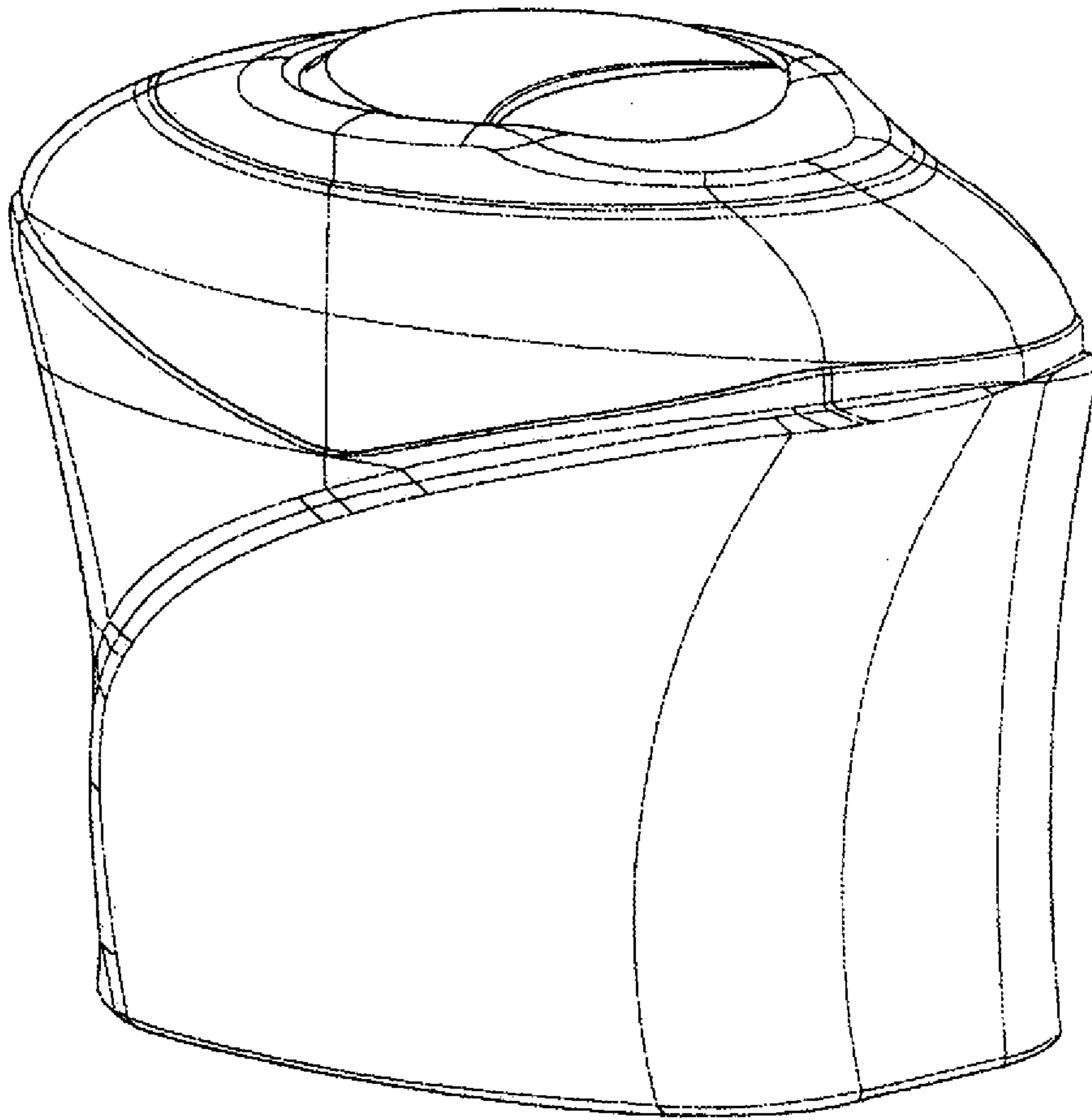
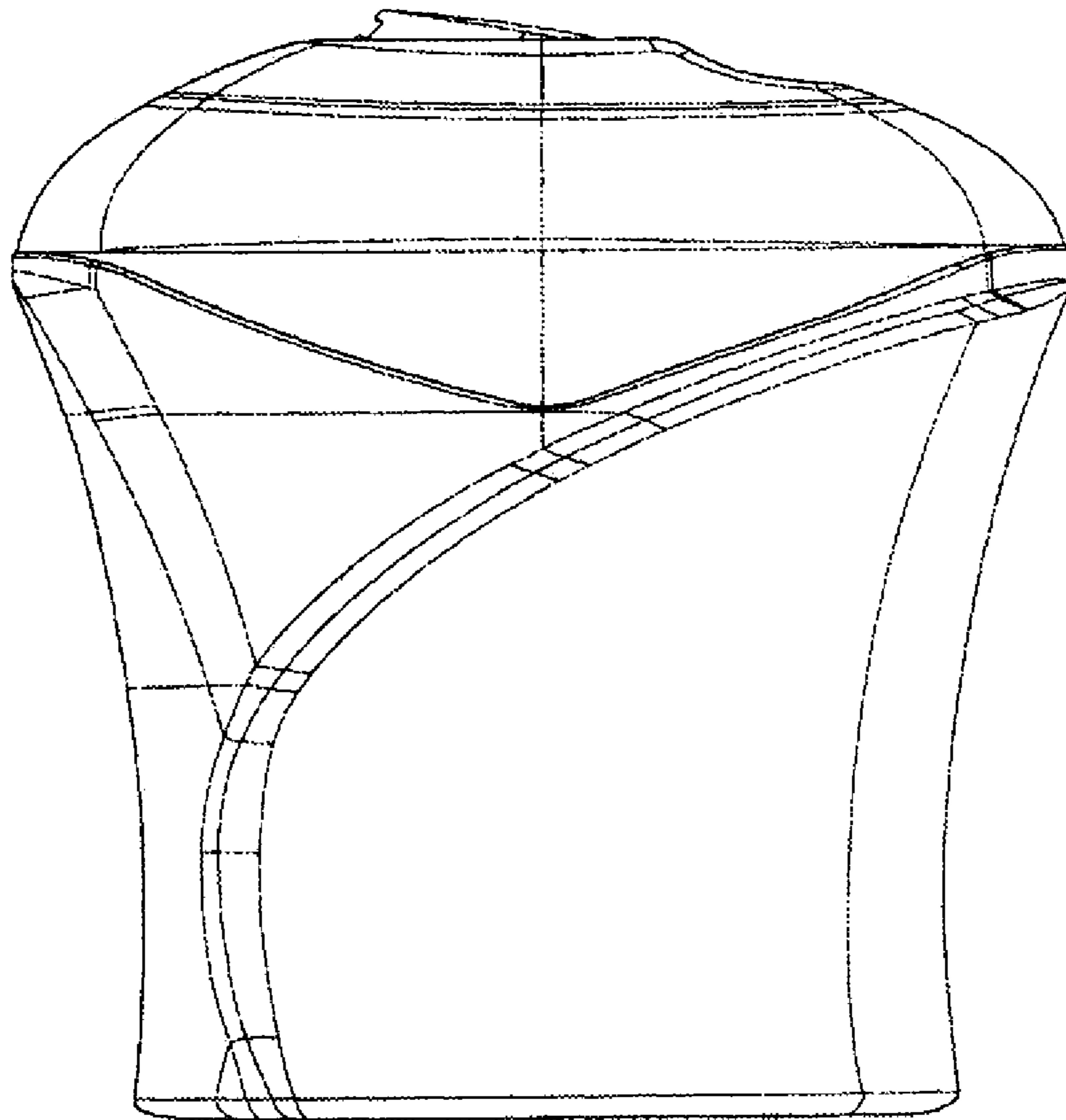


FIG. 2



**FIG. 3**

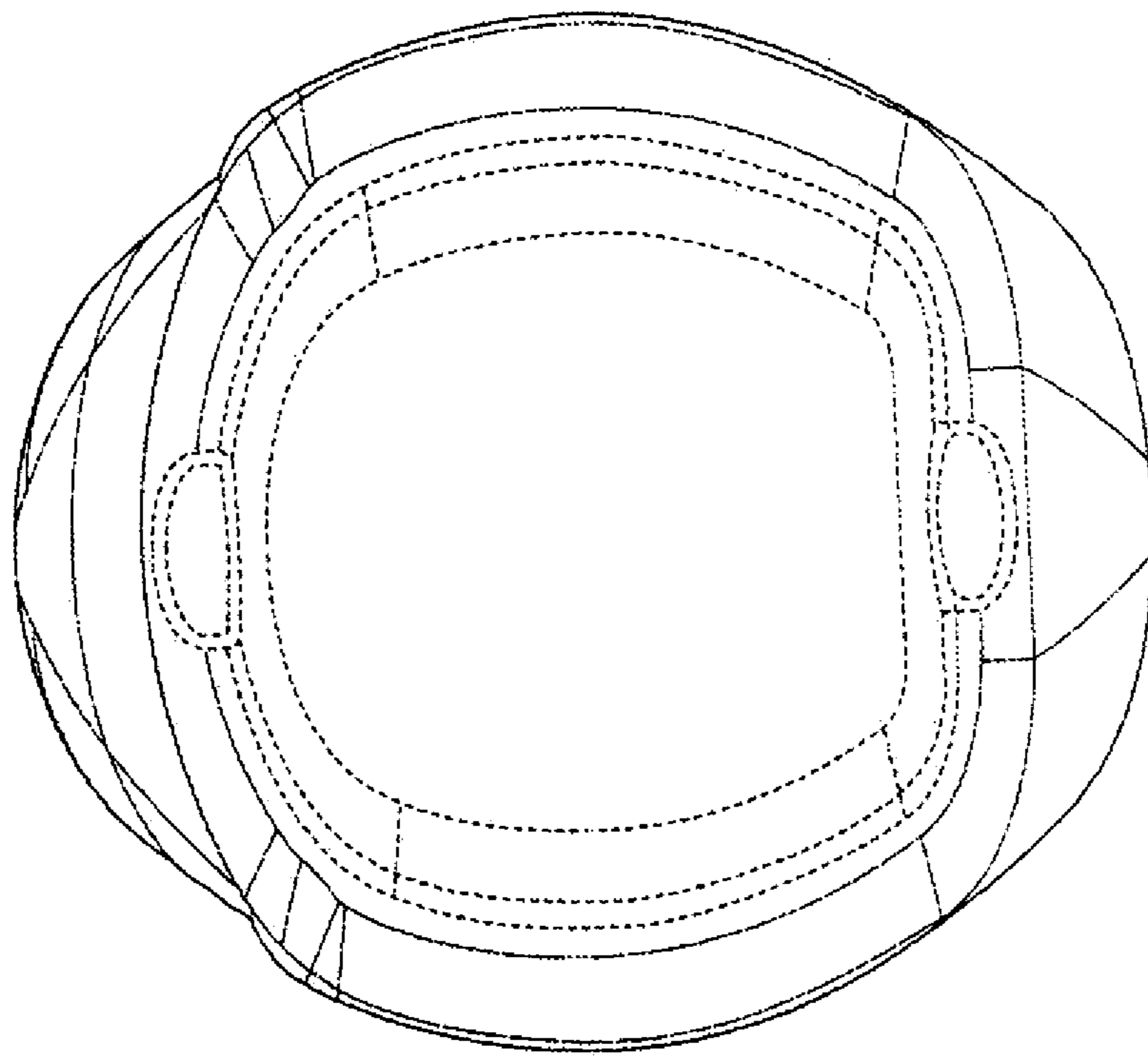


FIG. 4

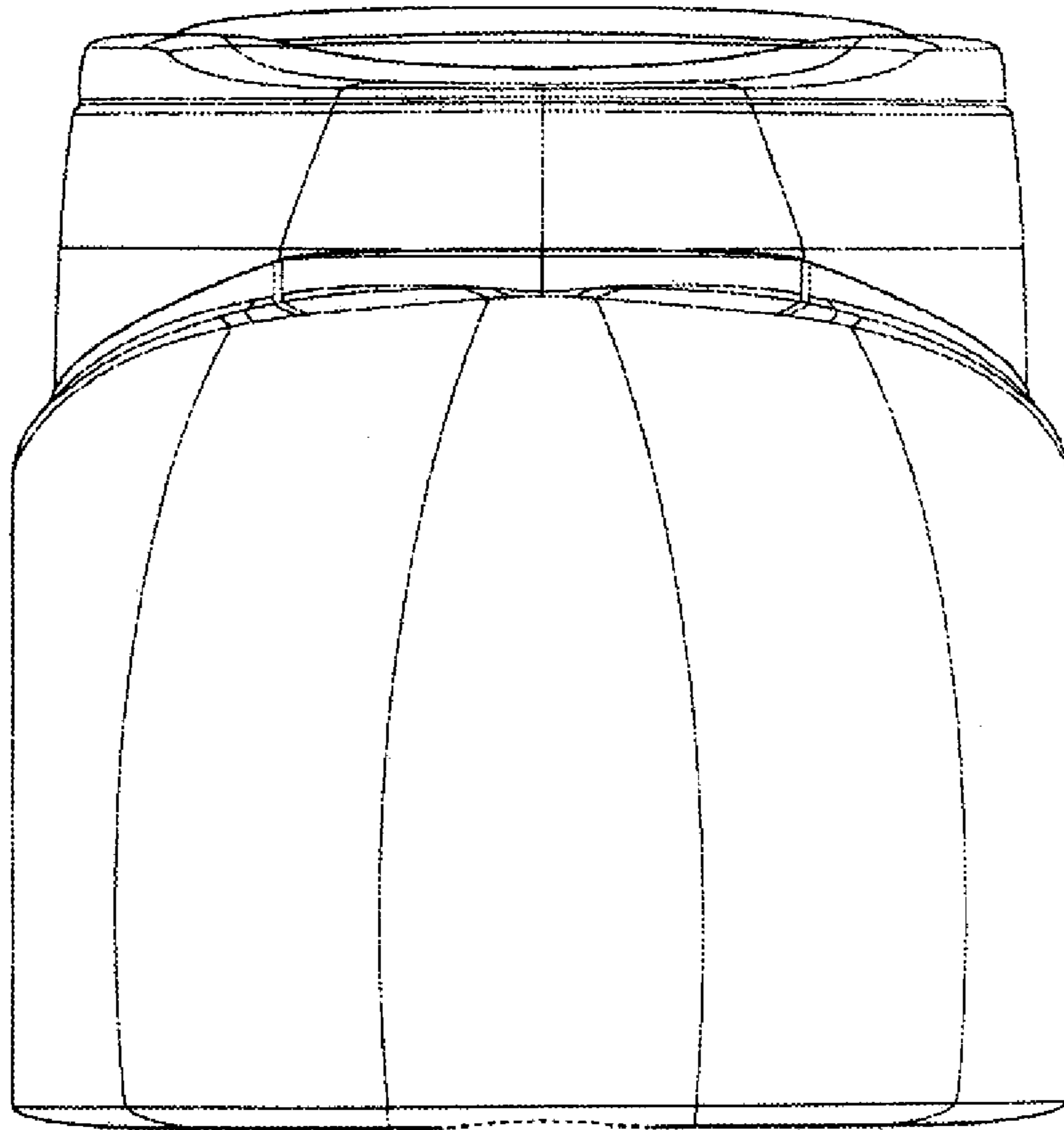


FIG. 5

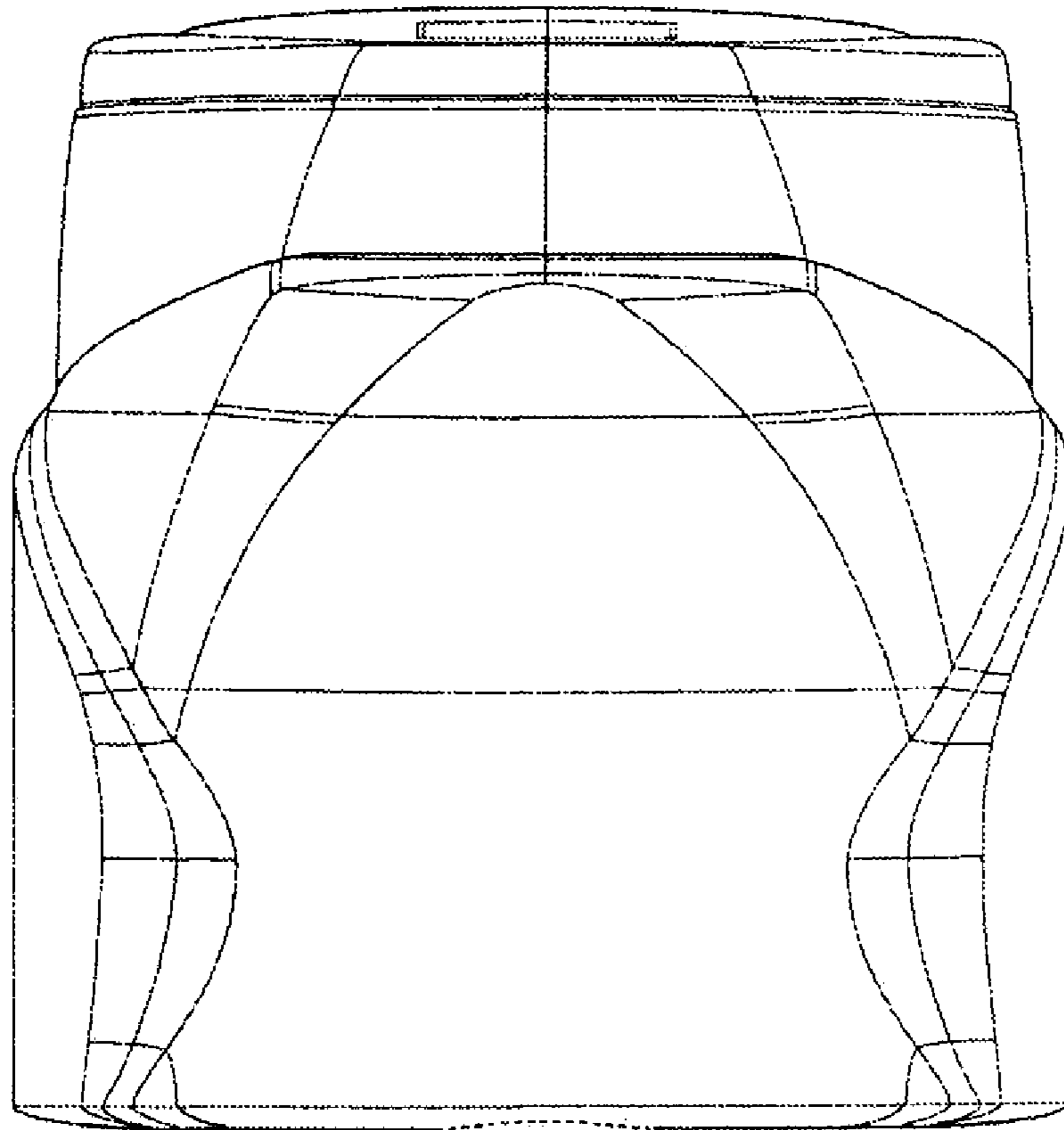
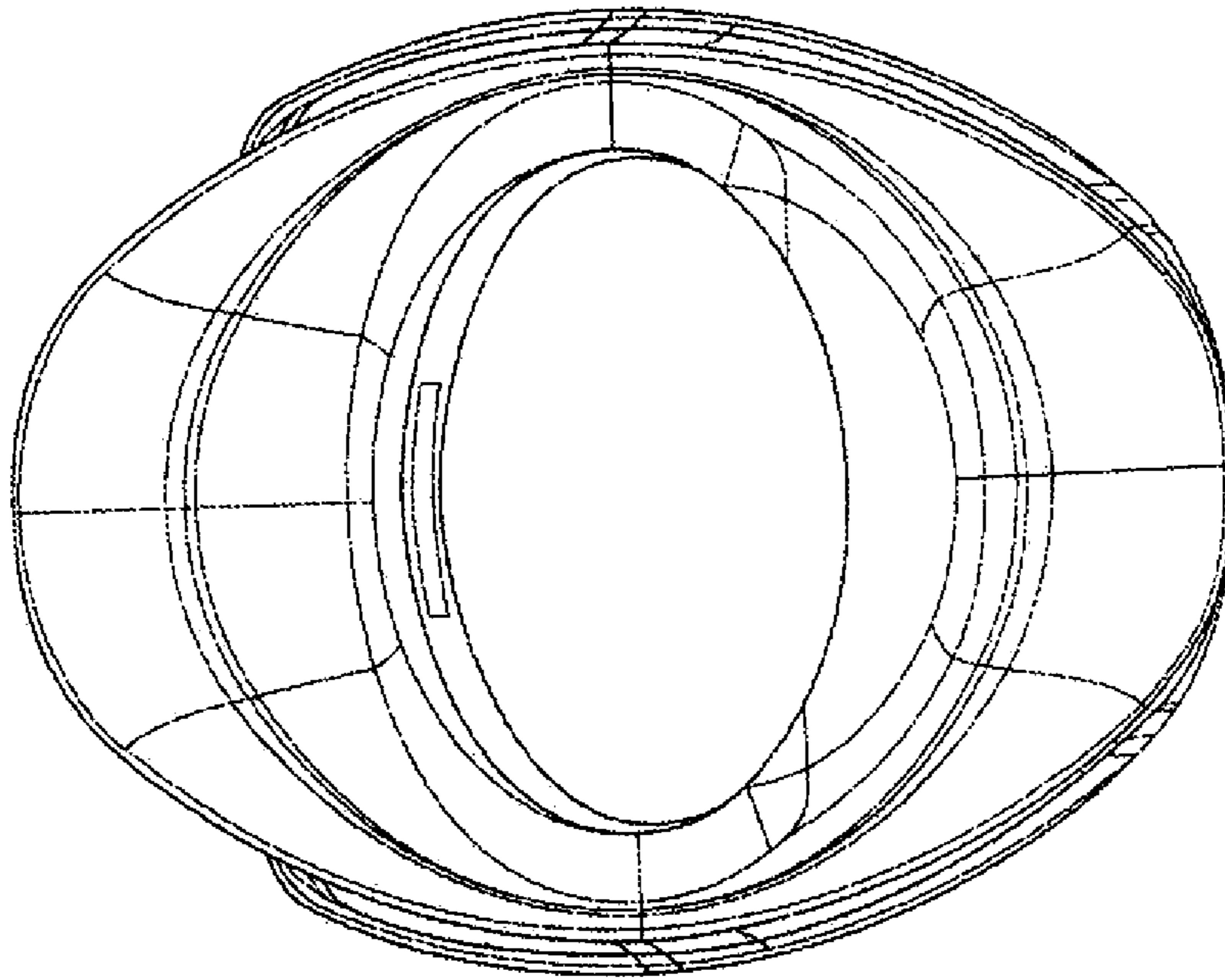


FIG. 6





**FIG. 7**