



US00D681470S

(12) **United States Design Patent**  
**Martel et al.**

(10) **Patent No.:** **US D681,470 S**  
(45) **Date of Patent:** **\*\* May 7, 2013**

(54) **DISPENSING CONTAINER**  
(75) Inventors: **Laurent Martel**, Dublin, OH (US);  
**Pierre Billion**, Saint Didier de Formans  
(FR); **Julien Brouard**, Lyons (FR);  
**Bruno Leroux**, St. Etienne des Oullieres  
(FR)

(73) Assignee: **OMS Investments, Inc.**, Los Angeles,  
CA (US)

(\*\*) Term: **14 Years**

(21) Appl. No.: **29/365,376**

(22) Filed: **Jul. 8, 2010**

(30) **Foreign Application Priority Data**

Jan. 8, 2010 (EP) ..... 001655168

(51) **LOC (9) Cl.** ..... **09-01**

(52) **U.S. Cl.**  
USPC ..... **D9/523**; D9/541; D9/543; D9/563;  
D9/564; D9/571; D9/575

(58) **Field of Classification Search** ..... D9/682-694,  
D9/516, 523-526, 529-531, 542, 543, 550-554,  
D9/563-567, 571-575, 434-455; 215/379-385;  
220/669-675; 222/211, 212, 213, 215, 321.7,  
222/321.9, 372, 373, 378, 379, 383.1, 384-386,  
222/398, 400.7, 400.8, 401, 402.1-402.25

See application file for complete search history.

(56) **References Cited**

**U.S. PATENT DOCUMENTS**

241,307 A 5/1881 Corwin  
260,829 A 7/1882 Bradley  
337,268 A 3/1886 Keedy  
557,987 A 4/1896 Frank

813,254 A 2/1906 Sweeney  
1,264,503 A 4/1918 Griffin  
1,456,408 A 5/1923 Scherer  
1,521,831 A 1/1925 Olvawitsz  
1,544,503 A 6/1925 Wayne  
1,595,231 A 8/1926 Dryer  
1,631,951 A 6/1927 McAnsh  
1,912,759 A 6/1933 Clark  
1,982,094 A 11/1934 Gessler  
2,006,437 A 7/1935 Burgess et al.  
2,050,522 A 8/1936 Evans et al.  
2,135,665 A 11/1938 Hoban  
2,246,211 A 6/1941 Kilich

(Continued)

**FOREIGN PATENT DOCUMENTS**

DE 3 121 591 A1 3/1982  
DE 89 04 057 9/1989

(Continued)

**OTHER PUBLICATIONS**

Preliminary French Search Report for French Application No. FR  
19930009764 completed Apr. 7, 1994.

*Primary Examiner* — Catherine Tuttle  
(74) *Attorney, Agent, or Firm* — Hunton & Williams LLP

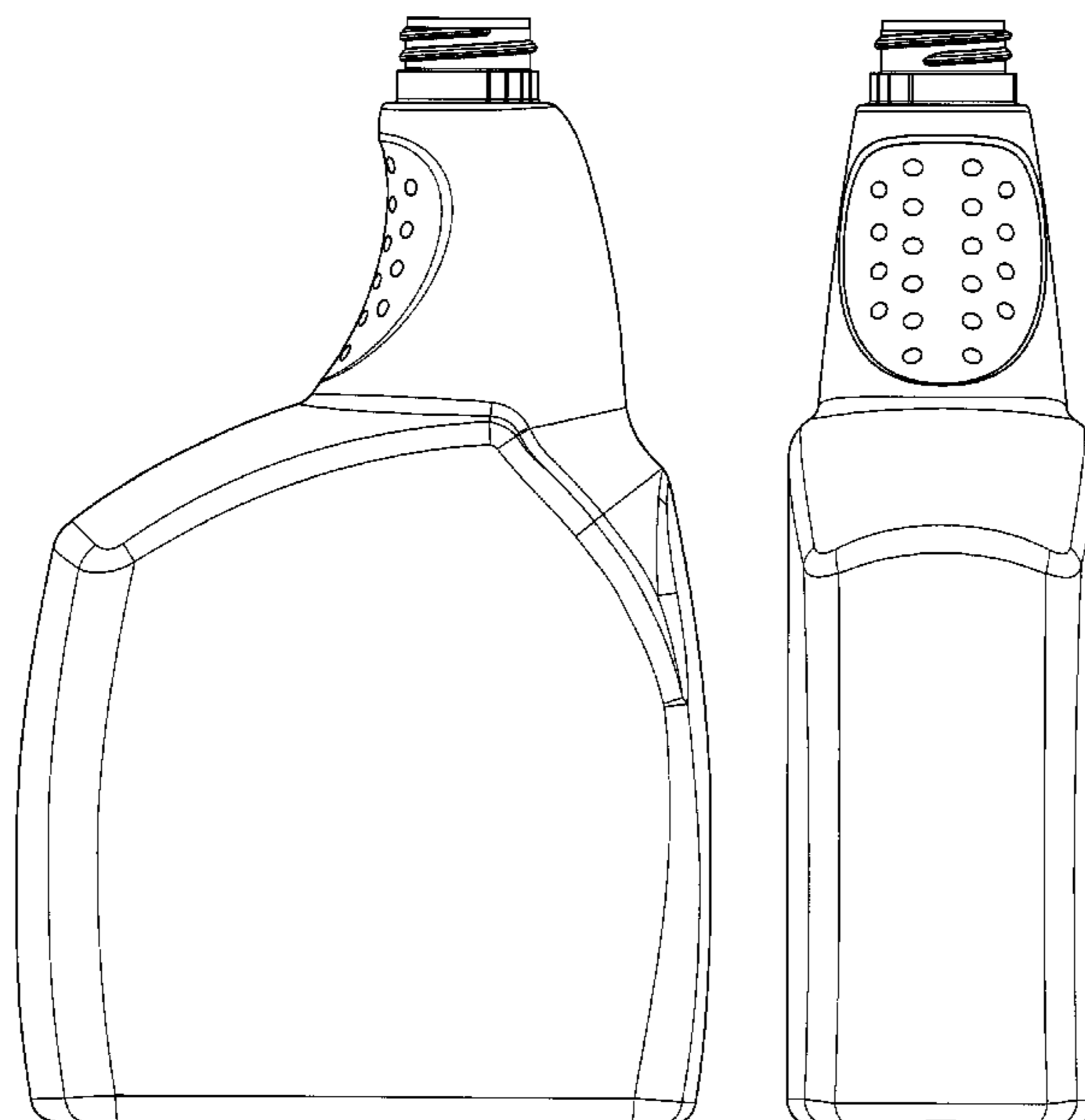
(57) **CLAIM**

The ornamental design for a dispensing container, as shown  
and described.

**DESCRIPTION**

FIG. 1 is a rear view of the dispensing container showing our  
new design;  
FIG. 2 is a right side view thereof;  
FIG. 3 is a front view thereof;  
FIG. 4 is a top view thereof; and,  
FIG. 5 is a top right and rear perspective view thereof.

**1 Claim, 5 Drawing Sheets**



# US D681,470 S

U.S. PATENT DOCUMENTS							
2,248,701	A	7/1941	Fowler	D287,227	S	12/1986	Turnbull
2,293,390	A	8/1942	Hengesback	4,651,930	A	3/1987	Magaha, Jr.
2,348,205	A	5/1944	Chater	4,664,301	A	5/1987	Hoyt
2,388,445	A	11/1945	Stewart	4,706,888	A	11/1987	Dobbs
2,416,719	A	3/1947	Stockdale	4,785,850	A	11/1988	Sanchez
2,460,545	A	2/1949	Spreng	D298,848	S	12/1988	Chow et al.
2,485,723	A	10/1949	Fitzgerald	4,811,870	A	3/1989	Bianco
2,536,361	A	1/1951	Flanders	4,826,085	A	5/1989	Chow et al.
2,580,629	A	1/1952	Wenzel	D302,523	S	8/1989	Suhajda
2,599,678	A	6/1952	Walker	4,878,619	A	11/1989	Norman
2,603,388	A	7/1952	Bryant	4,890,792	A	1/1990	Martin et al.
2,647,798	A	8/1953	Ballard	4,901,923	A	2/1990	McRoskey et al.
2,673,664	A	3/1954	Boysen	4,901,976	A	2/1990	Smith
2,711,928	A	6/1955	Randa	4,925,105	A	5/1990	Lin
2,754,152	A	7/1956	Gilmour	4,982,896	A	1/1991	Crow
2,760,820	A	8/1956	Cirese	D315,671	S	3/1991	Zaragoza ..... D9/523
2,788,244	A	4/1957	Gilmour	D322,838	S	12/1991	Hagedron
2,788,245	A	4/1957	Gilmour	5,069,389	A	12/1991	Bitsakos
2,951,645	A	9/1960	Price et al.	D326,137	S	5/1992	Ali
2,961,335	A	11/1960	Shepard	D328,422	S	8/1992	Fuchs et al.
2,981,284	A	4/1961	Putnam	5,143,294	A	9/1992	Lintvedt
2,991,939	A	7/1961	Packard	5,203,468	A	4/1993	Hsu
3,088,679	A	5/1963	Ford	5,203,486	A	4/1993	Bihler et al.
3,104,823	A	9/1963	Hayes	5,205,424	A	4/1993	Gaspar
3,123,253	A	3/1964	Lambton	5,213,264	A	5/1993	Styne
3,140,018	A	7/1964	Miller	5,213,265	A	5/1993	Englhard et al.
D200,221	S	2/1965	Conway	5,263,646	A	11/1993	McCauley
D200,960	S	4/1965	Beinert	D342,451	S	12/1993	Warner et al.
3,181,797	A	5/1965	Hayes	5,277,343	A	1/1994	Parsonage
3,185,358	A	5/1965	Marler	5,279,461	A	1/1994	Darroch
3,207,443	A	9/1965	Gilmour	5,332,158	A	7/1994	Styne et al.
3,233,783	A	2/1966	Thornton	5,335,858	A	8/1994	Dunning et al.
3,253,788	A	5/1966	McHugh et al.	5,346,081	A	9/1994	Lin
3,254,844	A	6/1966	Blasnik et al.	5,356,076	A	10/1994	Bishop
3,255,924	A	6/1966	Modderno	5,375,769	A	12/1994	Schultz
3,323,685	A	6/1967	Schultz	5,388,712	A	2/1995	Brody
3,372,846	A	3/1968	Berkus	5,413,280	A	5/1995	Taylor
3,381,899	A	5/1968	Forsman	5,469,993	A	11/1995	Hauf et al.
3,401,840	A	9/1968	McConnell et al.	5,484,106	A	1/1996	Gilmond
3,443,726	A	5/1969	Muller et al.	5,499,766	A	3/1996	Foster et al.
3,445,067	A	5/1969	Sheldall	5,522,547	A	6/1996	Dobbs et al.
3,447,753	A	6/1969	Proctor et al.	5,526,985	A	6/1996	Martin
3,467,314	A	9/1969	Grubb	D377,604	S	1/1997	Salmon et al.
3,499,606	A	3/1970	Smith	5,590,837	A	1/1997	Grogan
3,632,046	A	1/1972	Hengesbach	5,593,094	A	1/1997	Barriac et al.
3,655,099	A	4/1972	Hazard	5,628,461	A	5/1997	Foster et al.
3,764,074	A	10/1973	James	5,641,125	A	6/1997	Martin et al.
3,770,205	A	11/1973	Proctor et al.	5,673,824	A	10/1997	Evans
3,833,177	A	9/1974	Pasley et al.	5,678,768	A	10/1997	Gager et al.
D234,952	S	4/1975	Rouquie	5,685,487	A	11/1997	Ellis
D235,063	S	5/1975	Gunzel, Jr. et al.	5,727,736	A	3/1998	Tryon
3,940,069	A	2/1976	Gunzel, Jr. et al.	5,738,282	A	4/1998	Grogan
3,964,689	A	6/1976	Horvath	5,755,384	A	5/1998	Foster et al.
3,993,245	A	11/1976	Smith	5,868,321	A	2/1999	Haruch
4,027,822	A	6/1977	Usher	5,878,959	A	3/1999	Smolen, Jr. et al.
D244,991	S	7/1977	Weckman et al.	5,881,955	A	3/1999	Styne
4,058,259	A	11/1977	Schantz	5,890,628	A	4/1999	Simpson et al.
D248,831	S	8/1978	Anderson	5,918,621	A	7/1999	Gilmore
D250,393	S	11/1978	Shortino	5,954,272	A	9/1999	Liao
D251,793	S	5/1979	DeGelder	5,964,415	A	10/1999	Hadar
4,153,184	A	5/1979	Parish et al.	5,975,164	A	11/1999	Whaley et al.
D254,321	S	2/1980	Sidor et al.	5,996,858	A	12/1999	Tapp et al.
4,250,911	A	2/1981	Kratz	D429,159	S	8/2000	Feen ..... D9/523
D259,331	S	5/1981	Saenz	D432,021	S	10/2000	Caughey et al. .... D9/543
4,291,814	A	9/1981	Conn	6,126,090	A	10/2000	Wadsworth et al.
D263,930	S	4/1982	Pardo et al.	6,131,774	A	10/2000	Thomas et al.
4,349,157	A	9/1982	Beiswenger et al.	D434,327	S	11/2000	Di Bartolo et al. .... D9/523
4,382,552	A	5/1983	Lubsen et al.	6,170,706	B1	1/2001	Havlovitz
4,396,356	A	8/1983	Thompson	6,179,170	B1	1/2001	Bachand ..... 222/402.19
4,418,869	A	12/1983	Healy	6,186,366	B1	2/2001	Good et al.
4,442,977	A	4/1984	Beiswenger et al.	6,213,410	B1	4/2001	Spitznagel
D275,078	S	8/1984	Wassergord et al. .... D9/685	6,223,999	B1	5/2001	Lemelshtich et al.
4,491,254	A	1/1985	Viets et al.	6,279,773	B1	8/2001	Kiyota
4,527,740	A	7/1985	Gunzel, Jr. et al.	D447,791	S	9/2001	Robidoux
D281,899	S	12/1985	Gunzel, Jr. et al.	D448,450	S	9/2001	Lawson et al.
D281,900	S	12/1985	Gunzel, Jr. et al.	6,293,294	B1	9/2001	Loeb et al.
D286,615	S	11/1986	Lyons	D454,504	S	3/2002	Siebert et al. .... D9/560
4,624,413	A	11/1986	Corsette	6,390,335	B1	5/2002	Lawson et al.
				D459,438	S	6/2002	Knowles



# US D681,470 S

6,402,053	B1	6/2002	Chih	
6,415,956	B1	7/2002	Havlovitz	
6,419,166	B1	7/2002	Brzezinski et al.	
6,422,485	B1	7/2002	Hsu	
6,453,953	B1	9/2002	Adriansens et al.	
6,536,684	B1	3/2003	Wei	
6,546,949	B1	4/2003	Gilmore	
D476,558	S	7/2003	Cho et al.	
6,595,437	B1	7/2003	Lawson et al.	
6,604,546	B1	8/2003	Gilmore	
6,609,733	B2	8/2003	Gilmore	
6,612,506	B1	9/2003	Huang	
6,712,292	B1	3/2004	Gosis et al.	
6,715,698	B2	4/2004	Foster et al.	
6,726,123	B2	4/2004	Wang	
D489,970	S	5/2004	Nelson et al.	
D495,257	S *	8/2004	Crawford et al. ....	D9/523
6,851,632	B2	2/2005	Ferrazza et al.	
6,896,203	B1	5/2005	Restive	
D507,493	S	7/2005	Nelson et al.	
D510,869	S	10/2005	Gross et al.	
6,976,640	B2	12/2005	Chen	
6,976,644	B2	12/2005	Troutt	
6,978,946	B2	12/2005	Sweeton	
6,988,675	B2	1/2006	Hubmann et al.	
7,017,833	B2	3/2006	Foster	
7,021,571	B1	4/2006	Lawson et al.	
D521,870	S	5/2006	Miller et al.	
D524,906	S	7/2006	Birrenkott et al.	
7,083,125	B2	8/2006	Westphal et al.	
7,086,610	B2	8/2006	Hubmann et al.	
D529,575	S	10/2006	Birrenkott et al.	
7,156,324	B2	1/2007	Birrenkott et al.	
7,168,629	B2	1/2007	Timmes et al.	
D537,359	S	2/2007	Butler et al.	
7,182,280	B2	2/2007	Ye et al.	
D538,167	S	3/2007	Jennings et al.	
D539,142	S	3/2007	Butler et al.	
D543,854	S *	6/2007	Conway .....	D9/523
D557,608	S *	12/2007	Feen et al. ....	D9/523
D557,610	S *	12/2007	Conway .....	D9/543
D559,682	S	1/2008	Meeker et al.	
D561,301	S	2/2008	Troyer et al.	
D569,478	S	5/2008	Cichy et al.	
D572,138	S *	7/2008	Prater et al. ....	D9/516
7,434,749	B2	10/2008	Wu	
D581,273	S *	11/2008	Adamson et al. ....	D9/516
D582,272	S	12/2008	Cichy	
D589,349	S	3/2009	Prater et al.	

D608,208	S	1/2010	Vaughan et al.
D610,462	S	2/2010	Weber et al.
D619,215	S	7/2010	Havlovitz et al.
D622,596	S	8/2010	Miller et al.
D628,493	S	12/2010	Fontaine
D633,807	S	3/2011	Fahy et al.
D650,046	S	12/2011	Goodwin
D660,164	S	5/2012	Castro
D663,626	S	7/2012	Berger
2004/0007633	A1	1/2004	Simmons
2004/0222246	A1	11/2004	Bates et al.
2005/0145270	A1	7/2005	Ray
2005/0173452	A1	8/2005	Brown et al.
2006/0255183	A1	11/2006	Burdsall et al.
2007/0125878	A1	6/2007	Hahn et al.
2007/0170285	A1	7/2007	Schouten
2007/0228187	A1	10/2007	Nelson et al.
2008/0011882	A1	1/2008	Foster et al.
2010/0044454	A1	2/2010	Karazniewicz

## FOREIGN PATENT DOCUMENTS

EM	000079918-0006	*	12/2005
EM	000563002-0004	*	8/2006
EM	001037857-0001	*	11/2008
EM	000747498-0001	*	5/2009
EM	000697461-0024	*	7/2009
EP	0 395 380	A2	10/1990
EP	0 591 601	A1	4/1994
EP	0 677 401	A2	10/1995
EP	0 798 158	A2	10/1997
EP	1 022 060	A2	7/2000
EP	1 305 055		5/2003
EP	1 602 199	B1	12/2005
FR	966 601		10/1950
FR	2 513 598		4/1983
FR	2 574 760		6/1986
FR	2 708 569	A1	2/1995
GB	677 401		8/1952
GB	798 158		7/1958
GB	1 305 055		1/1973
GB	1 319 788		6/1973
GB	1 386 186		3/1975
GB	2 018 626	A	10/1979
GB	1 602 199		11/1981
GB	2 286 109	A	8/1995
WO	D018597-001	*	3/1991
WO	WO 2002/09783		2/2002

\* cited by examiner

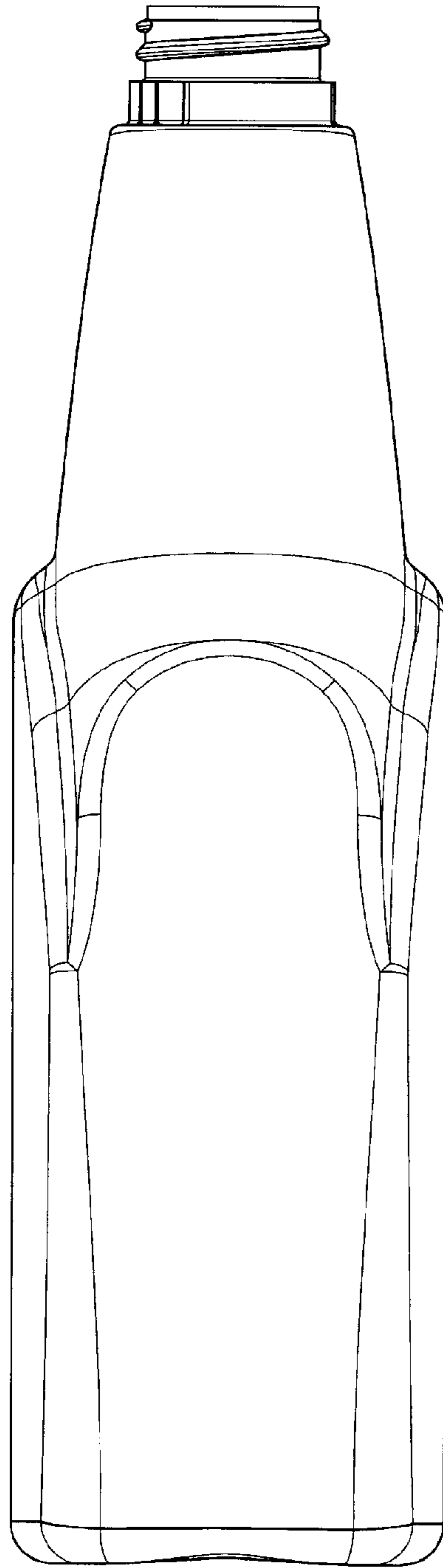


FIG. 1

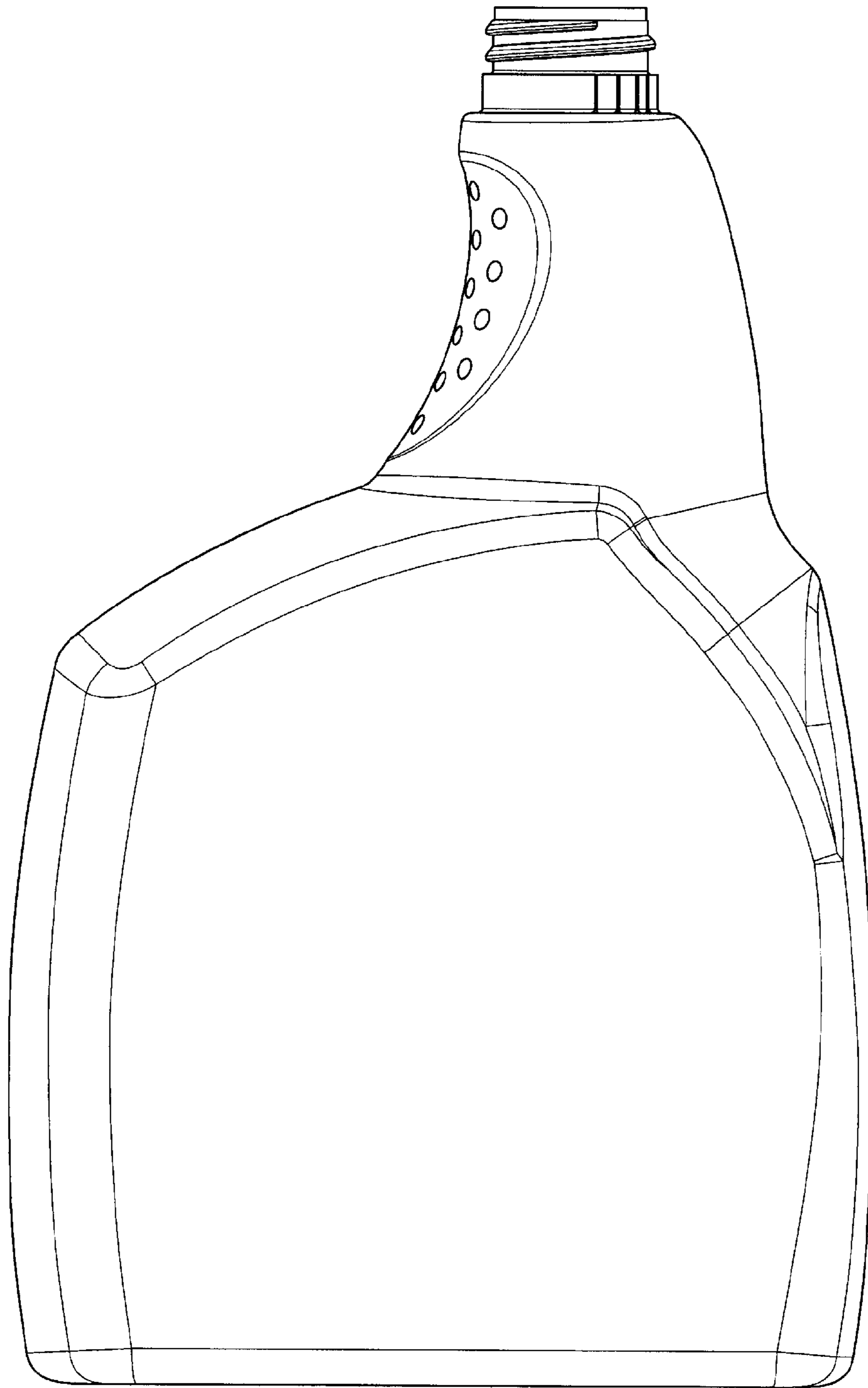


FIG. 2

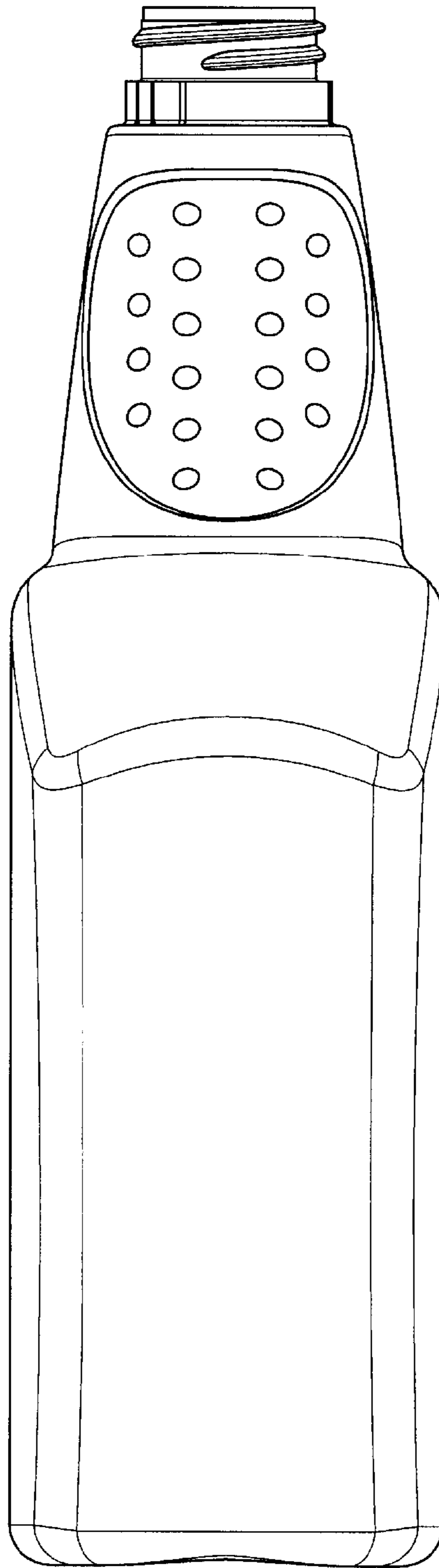


FIG. 3

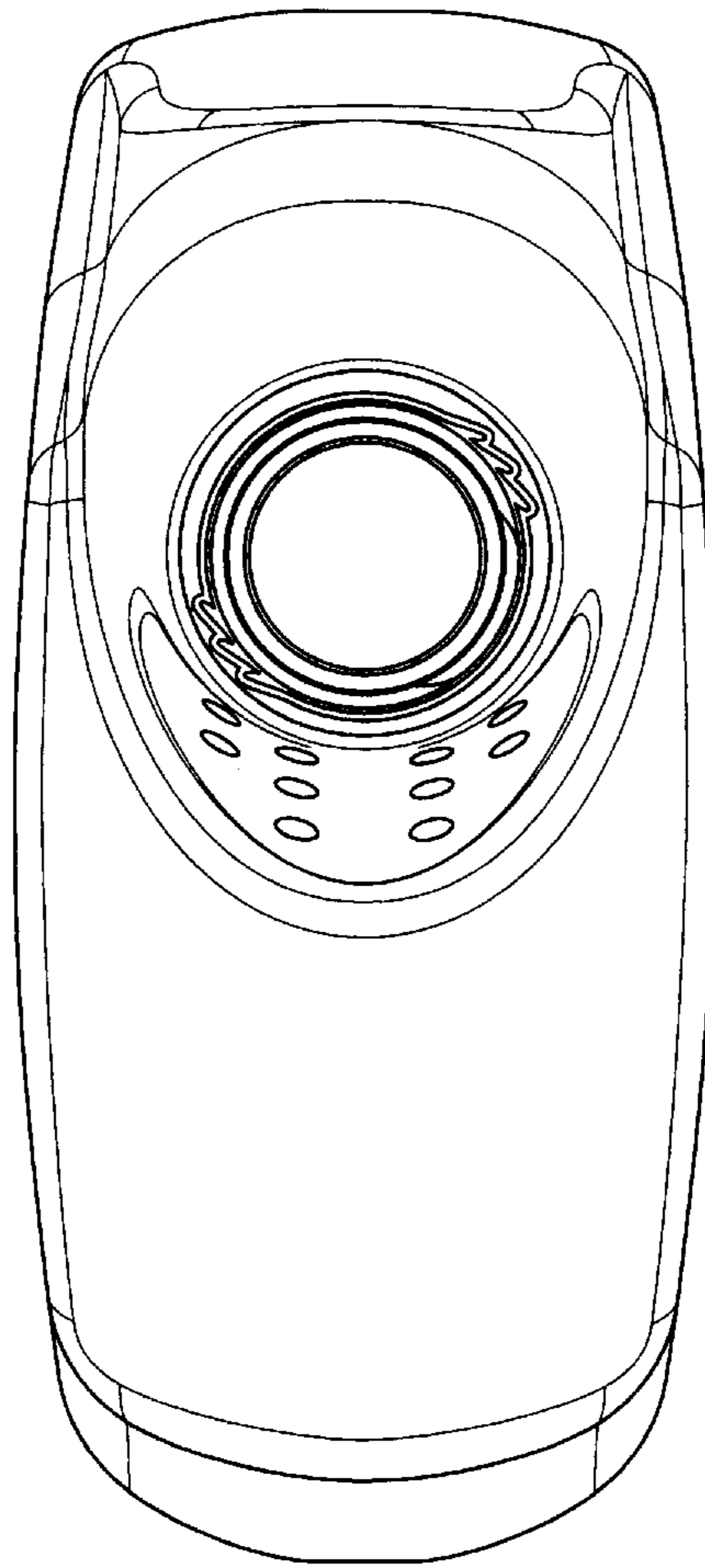


FIG. 4

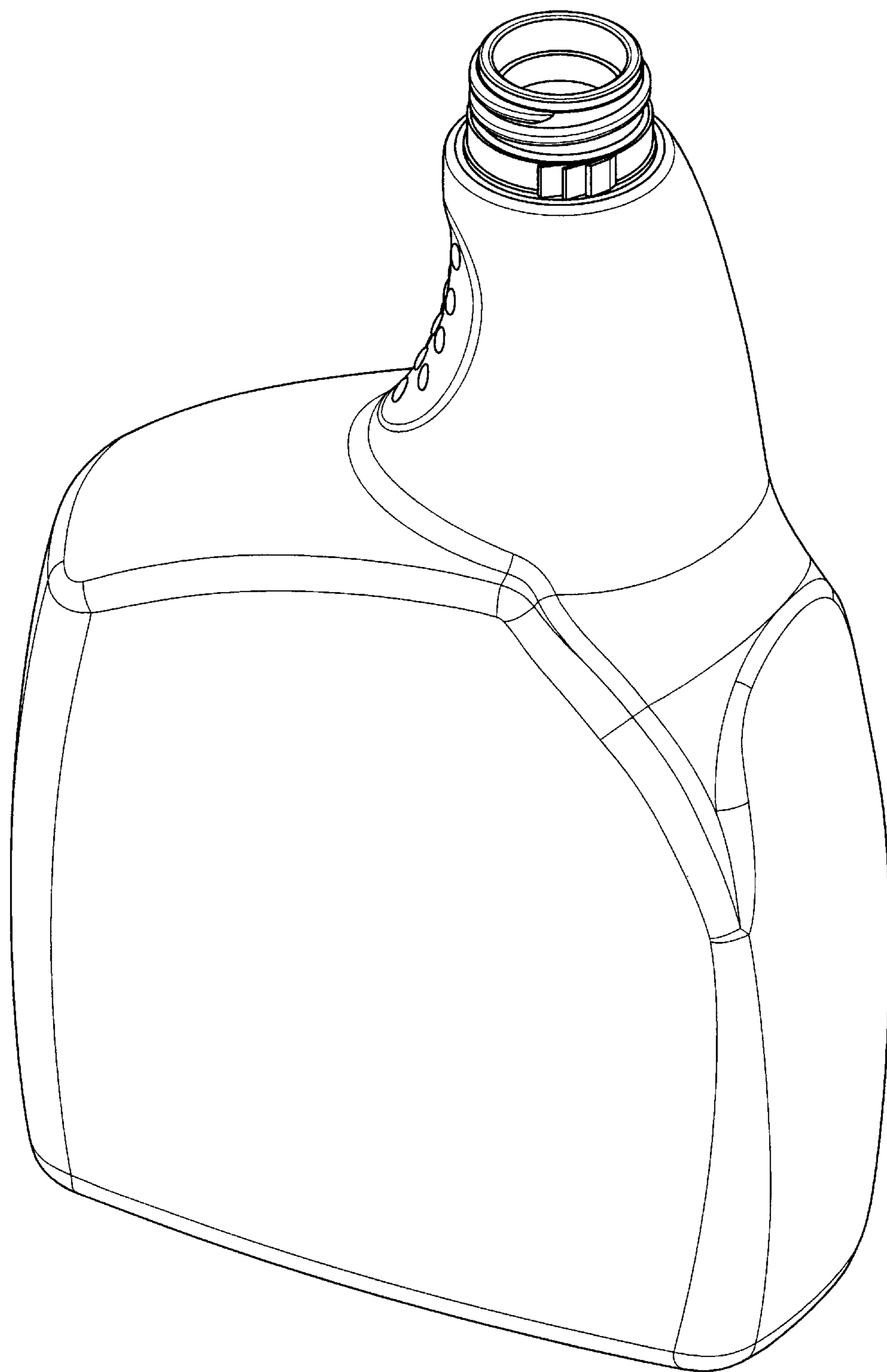


FIG. 5