



US00D681465S

(12) **United States Design Patent**
Cox et al.

(10) **Patent No.:** **US D681,465 S**

(45) **Date of Patent:** **** May 7, 2013**

(54) **CLOSURE**

(75) Inventors: **Christopher A. Cox**, Westerville, OH
(US); **James P. Perry**, Westerville, OH
(US)

(73) Assignee: **Abbott Laboratories**, Abbott Park, IL
(US)

(**) Term: **14 Years**

(21) Appl. No.: **29/422,632**

(22) Filed: **May 22, 2012**

(51) **LOC (9) Cl.** **09-07**

(52) **U.S. Cl.**
USPC **D9/453**; D9/454; D9/441

(58) **Field of Classification Search** D9/667,
D9/454, 453, 452, 450, 449, 445, 443, 441,
D9/435; D23/253, 250; 220/270-276; 215/228,
215/217-223, 209

See application file for complete search history.

(56) **References Cited**

U.S. PATENT DOCUMENTS

1,495,722	A	*	5/1924	Anderson	215/307
1,560,569	A	*	11/1925	Hammer	215/333
D210,168	S	*	2/1968	Plochman	D9/453
D315,507	S	*	3/1991	Ochs	D9/453
D318,804	S	*	8/1991	Ochs	D9/453
D359,682	S	*	6/1995	Miller	D9/434
D374,822	S	*	10/1996	Philips	D9/453
D389,062	S	*	1/1998	Ekkert et al.	D9/453
D437,228	S	*	2/2001	Collins	D9/453
D451,393	S	*	12/2001	Gerhart et al.	D9/453

D603,261	S	*	11/2009	Arnell et al.	D9/453
D613,162	S	*	4/2010	Druitt	D9/453
D636,264	S	*	4/2011	Wassum et al.	D9/453
D637,906	S	*	5/2011	Rigling et al.	D9/446
8,006,852	B1	*	8/2011	Miceli et al.	215/221
D647,800	S	*	11/2011	Rigling et al.	D9/446
D671,834	S	*	12/2012	Chasteen et al.	D9/453

* cited by examiner

Primary Examiner — Susan Bennett Hattan

(74) *Attorney, Agent, or Firm* — McAndrews, Held & Malloy, Ltd.

(57) **CLAIM**

The ornamental design for a closure, as shown and described.

DESCRIPTION

FIG. 1 is a front perspective view of a closure showing our new design;

FIG. 2 is a top plan view thereof;

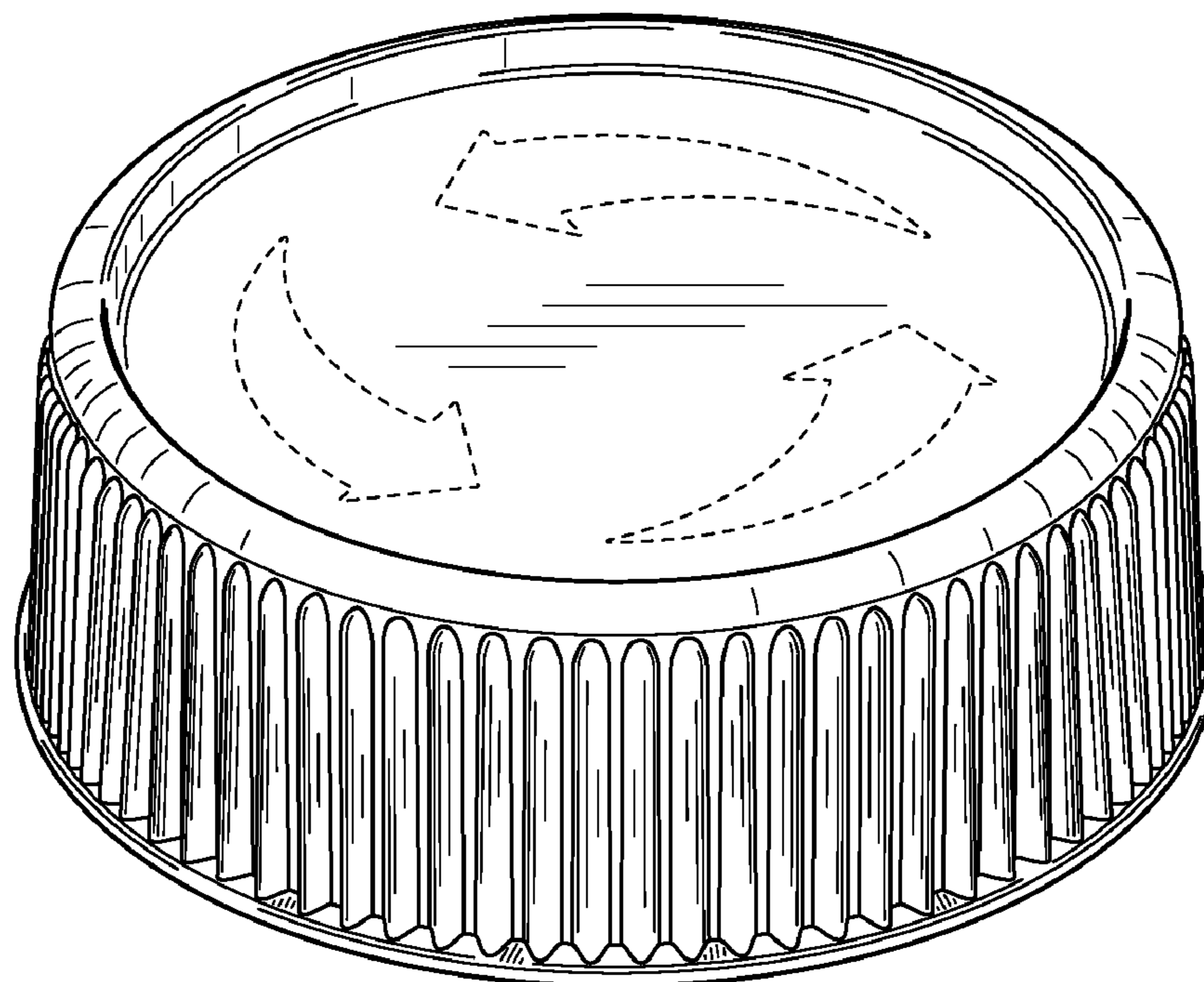
FIG. 3 is an enlarged view of the exterior peripheral shape of the closure knurls within the 45° section shown in dot-dash lines in FIG. 2;

FIG. 4 is a side elevation view, the opposite side being a mirror image; and,

FIG. 5 is a cross-sectional side elevation view taken along section line 5-5 of FIG. 2 to illustrate the exterior peripheral shape of the article at the cross-section and with the interior construction details being illustrated in phantom lines and not forming any part of the claimed design.

The broken lines in the drawings represent environmental subject matter and form no part of the claimed design. The bottom unornamented surface is unclaimed.

1 Claim, 2 Drawing Sheets



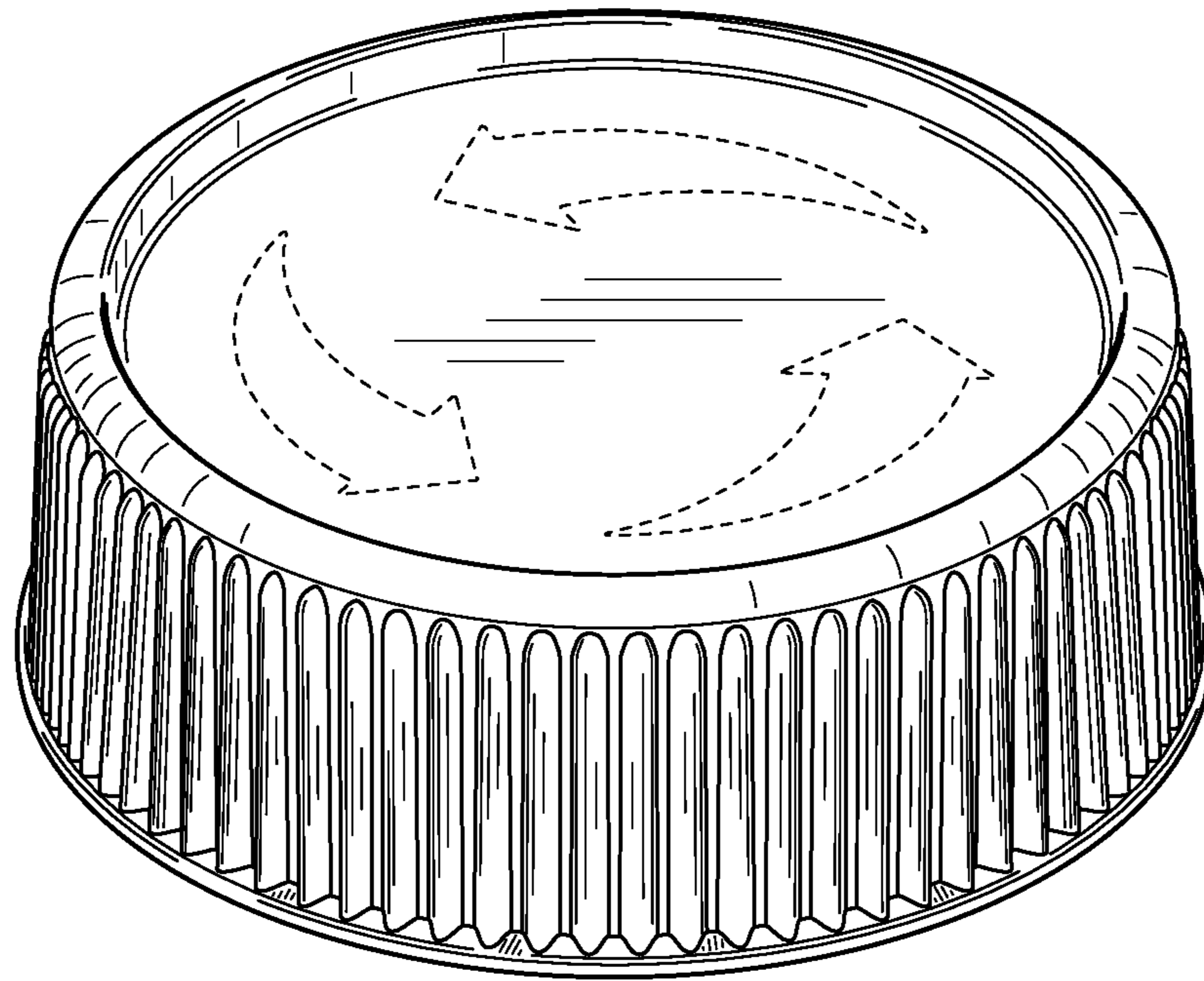


FIG. 1

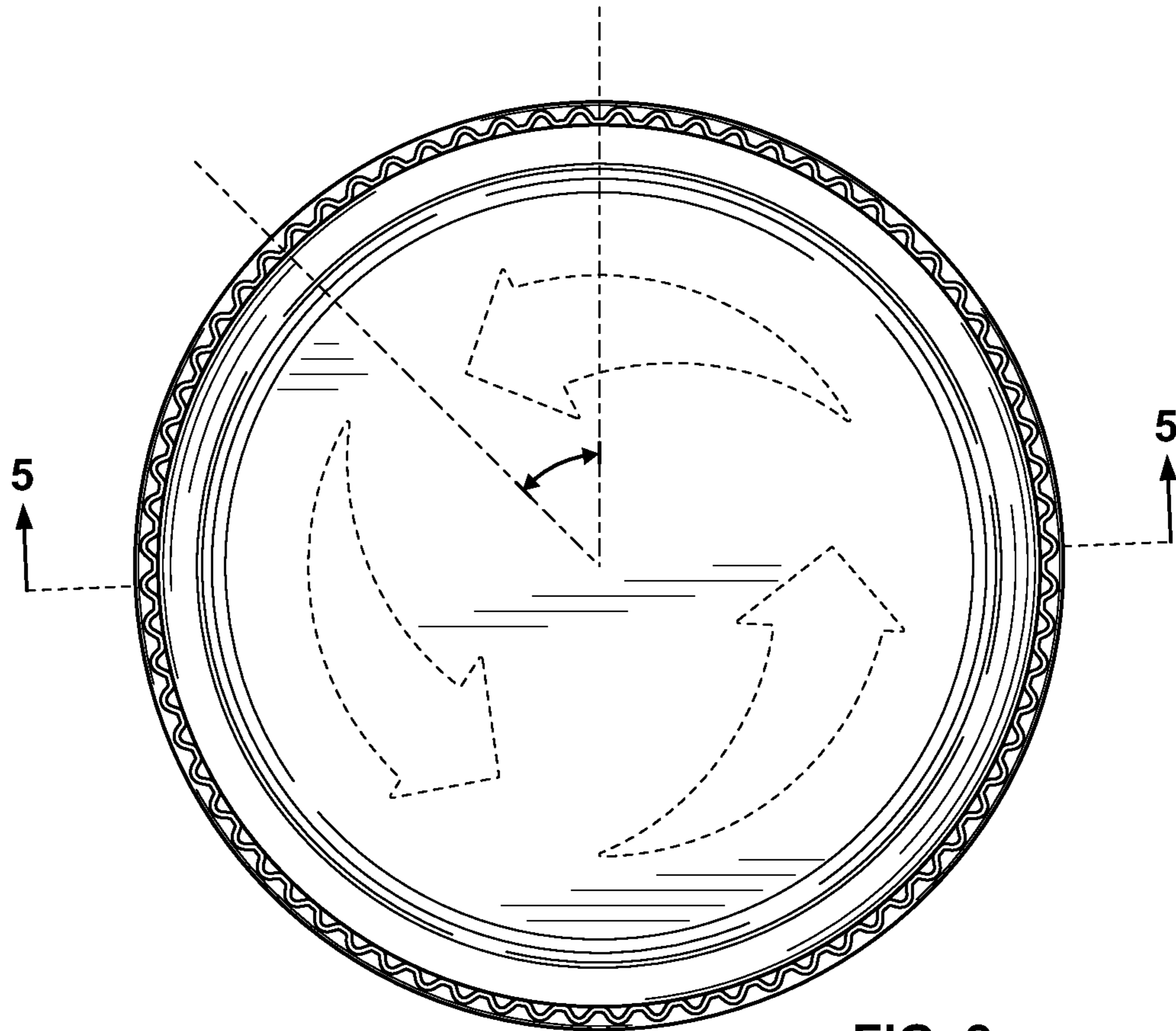


FIG. 2

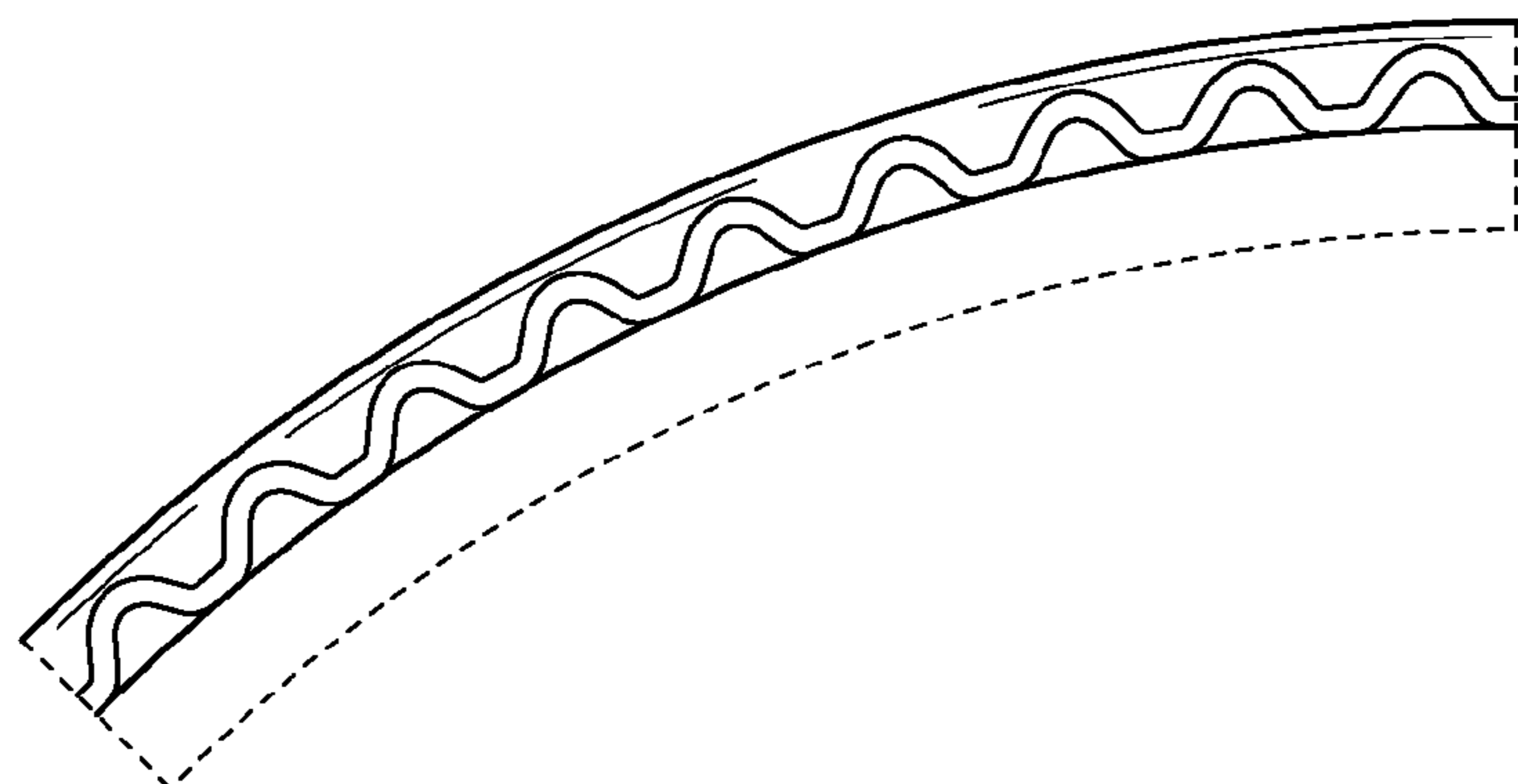


FIG. 3

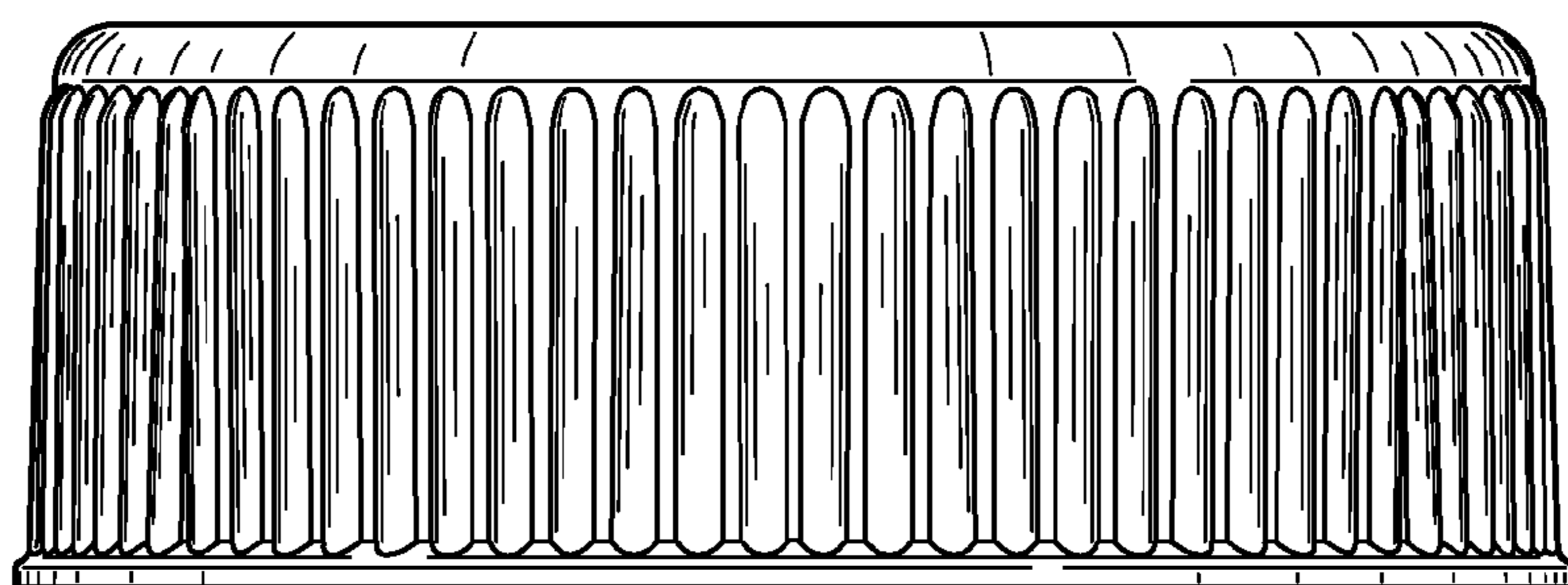


FIG. 4

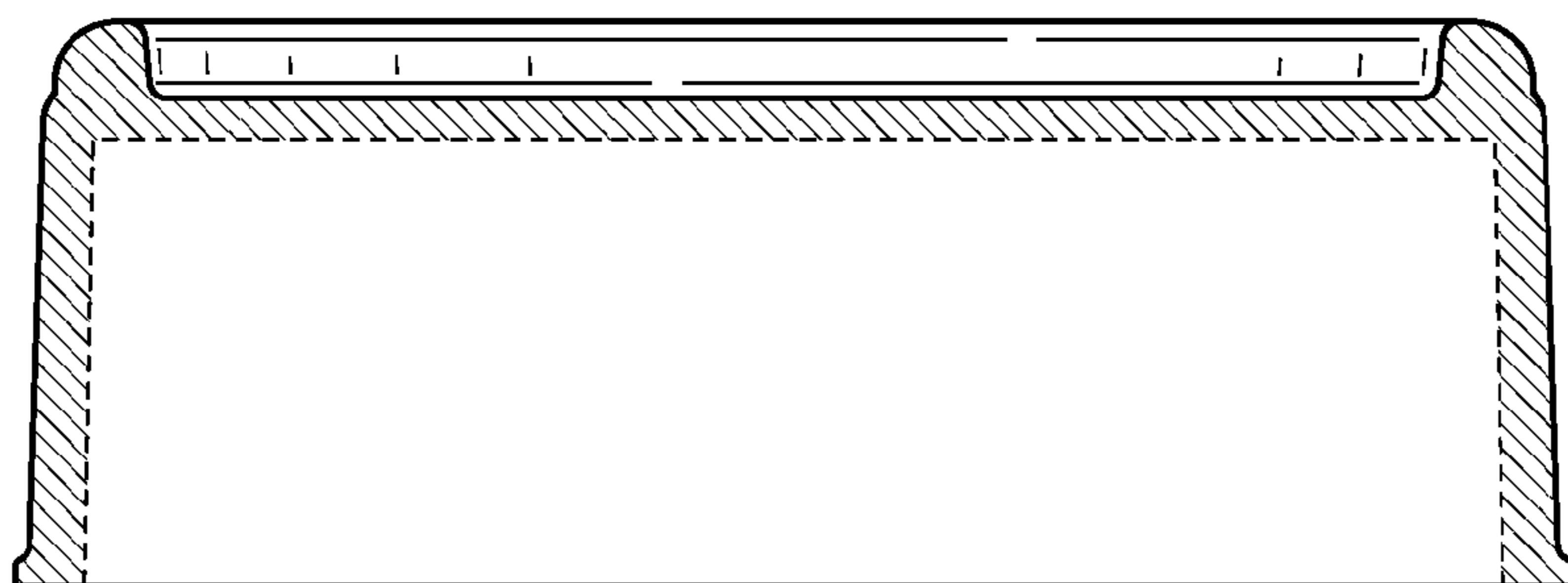


FIG. 5