



US00D681464S

(12) **United States Design Patent**
Taylor

(10) **Patent No.:** **US D681,464 S**

(45) **Date of Patent:** **** May 7, 2013**

(54) **TAMPER EVIDENT POLYMER SCREW CAP WITH DIRECTIONAL LUGS**

(76) Inventor: **Dale W. Taylor**, Hamilton, IN (US)

(**) Term: **14 Years**

(21) Appl. No.: **29/421,099**

(22) Filed: **May 21, 2012**

(51) **LOC (9) Cl.** **09-07**

(52) **U.S. Cl.**
USPC **D9/453; D9/454**

(58) **Field of Classification Search** D9/667,
D9/454, 453, 452, 450, 449, 445, 443, 441,
D9/435; D23/253, 250; 220/270-276; 215/228,
215/217-223, 209

See application file for complete search history.

(56) **References Cited**

U.S. PATENT DOCUMENTS

D44,178 S *	6/1913	McMurtrie	D23/262
D195,372 S	6/1963	Tupper	D9/439
D210,168 S *	2/1968	Plochman	D9/453
4,136,796 A	1/1979	Dubois		
4,261,478 A	4/1981	Summers	220/270
5,882,454 A	3/1999	Baginski		
D419,071 S *	1/2000	Peters et al.	D9/453
6,368,741 B1	4/2002	Hackel		
D501,138 S	1/2005	Uchiyama	D9/439
6,874,656 B2	4/2005	Rohr		

6,883,675 B2	4/2005	Maenke		
7,201,287 B2	4/2007	Maenke		
D600,546 S *	9/2009	Scilingo et al.	D8/397
7,690,525 B2	4/2010	Schutz		
D623,049 S *	9/2010	Zeyfang	D8/397
D642,919 S	8/2011	Taylor		
D642,920 S *	8/2011	Taylor	D9/453
D643,288 S *	8/2011	Taylor	D9/453
2006/0096985 A1	5/2006	Stolzman		

* cited by examiner

Primary Examiner — Susan Bennett Hattan

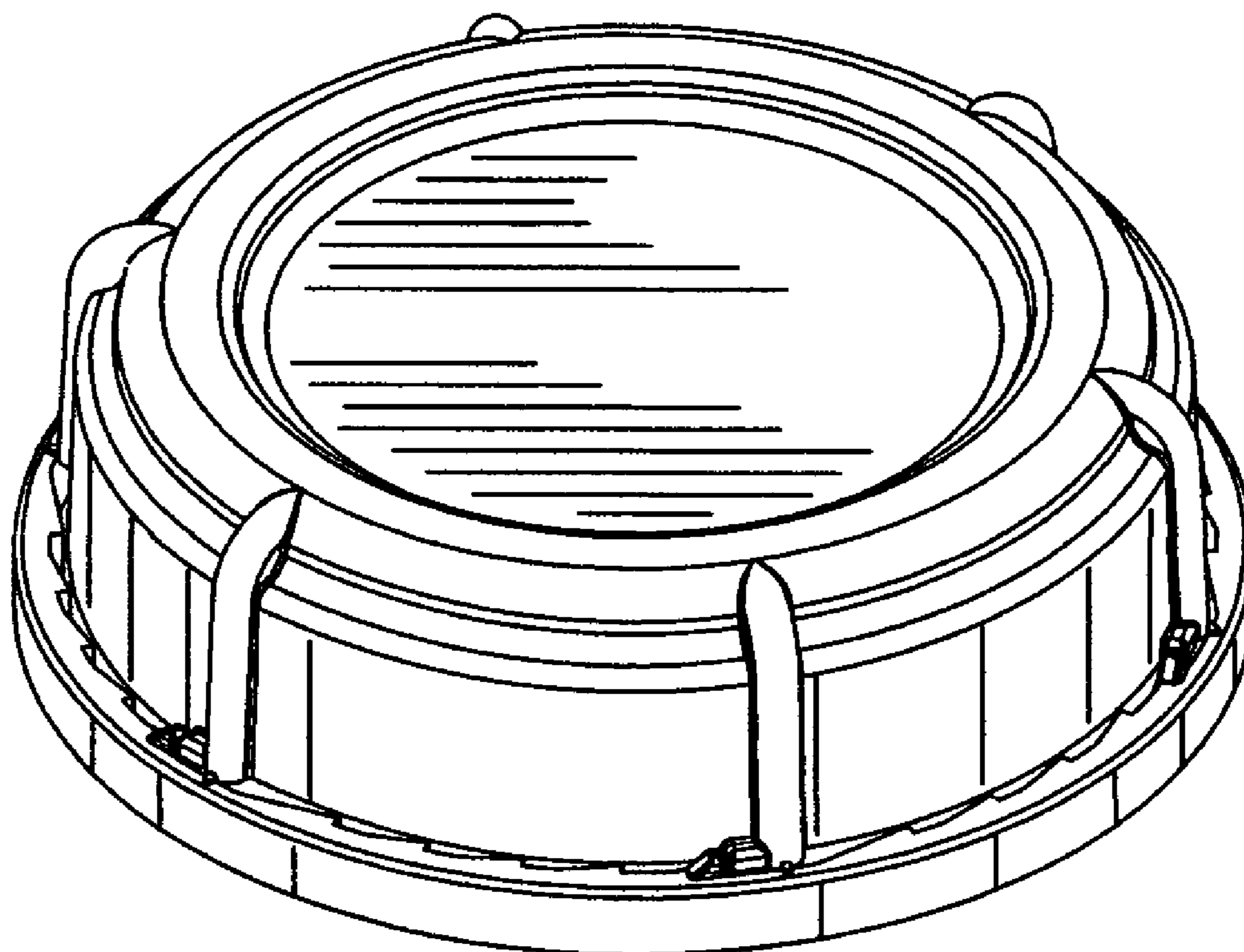
(57) **CLAIM**

The ornamental design for a tamper evident polymer screw cap with directional lugs, as shown and described.

DESCRIPTION

FIG. 1 is a top perspective view of a tamper evident polymer screw cap with directional lugs in accordance with my design; FIG. 2 is a bottom perspective view thereof; FIG. 3 is a top plan view thereof; FIG. 4 is a bottom view thereof; FIG. 5 is a front elevation view thereof; the rear elevation view being the same; FIG. 6 is a right side view thereof; the left side view being the same; FIG. 7 is a sectional view thereof, taken on line 7-7 of FIG. 3; and, FIG. 8 is a sectional view thereof, taken on line 8-8 of FIG. 3.

1 Claim, 4 Drawing Sheets



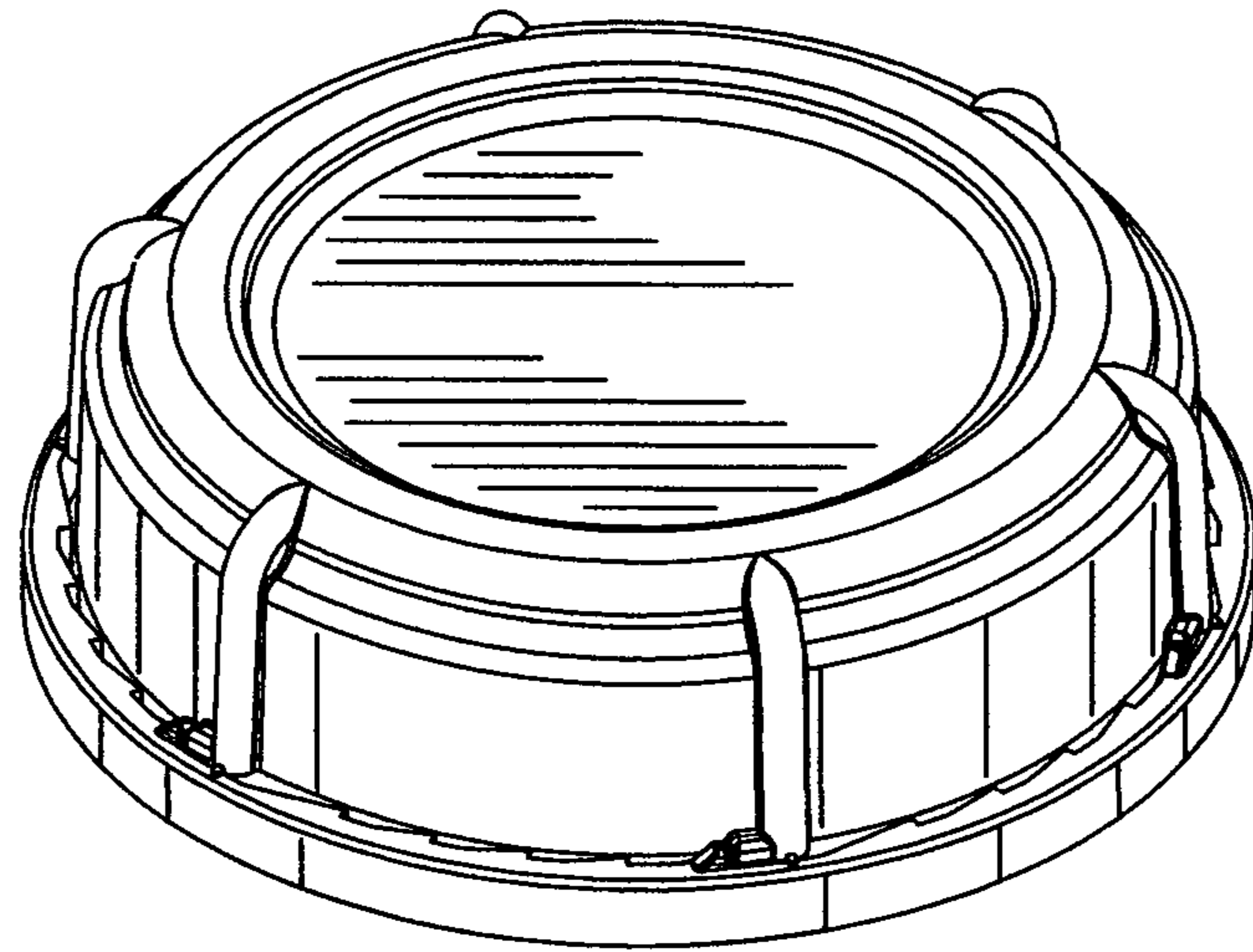


FIG. 1

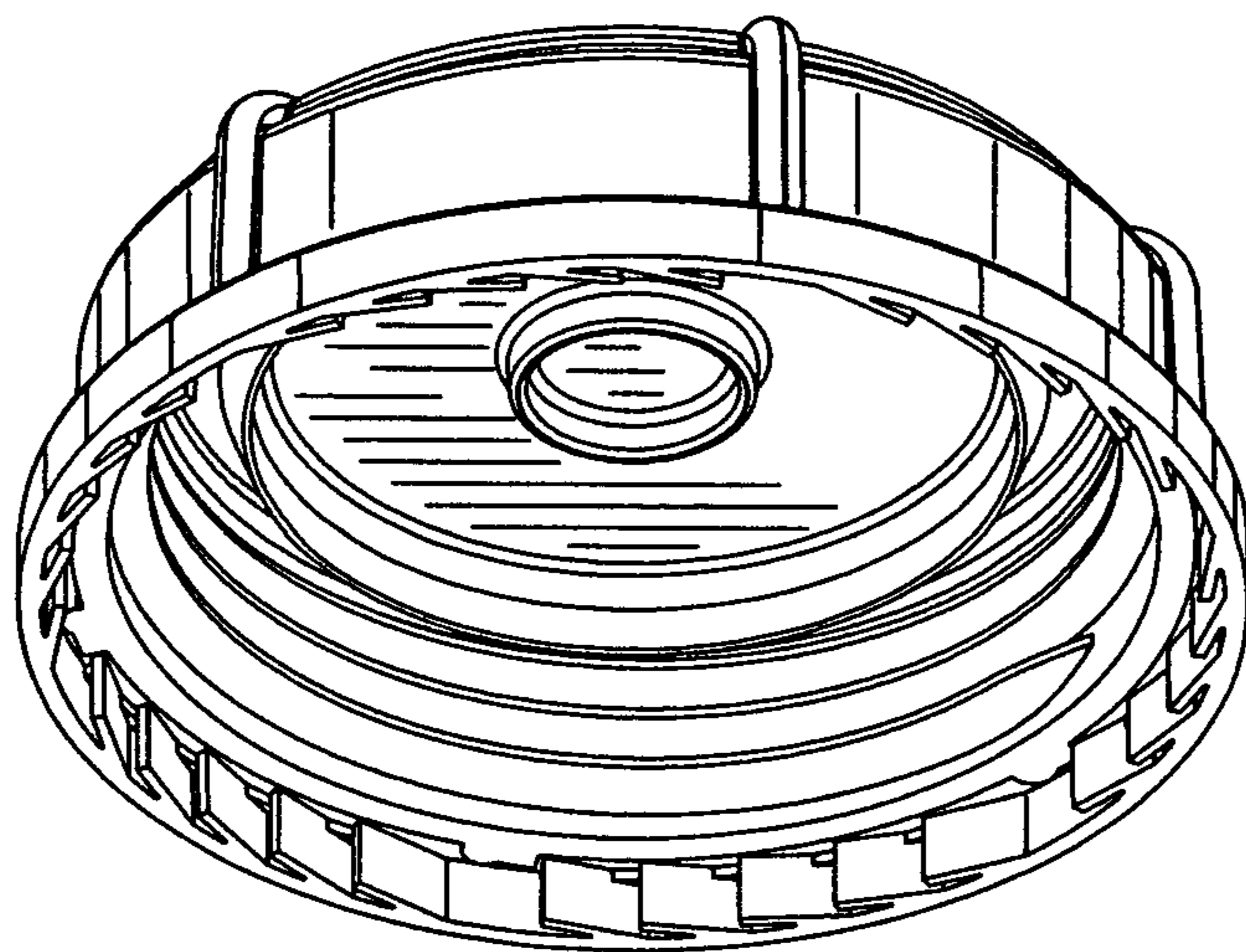


FIG. 2

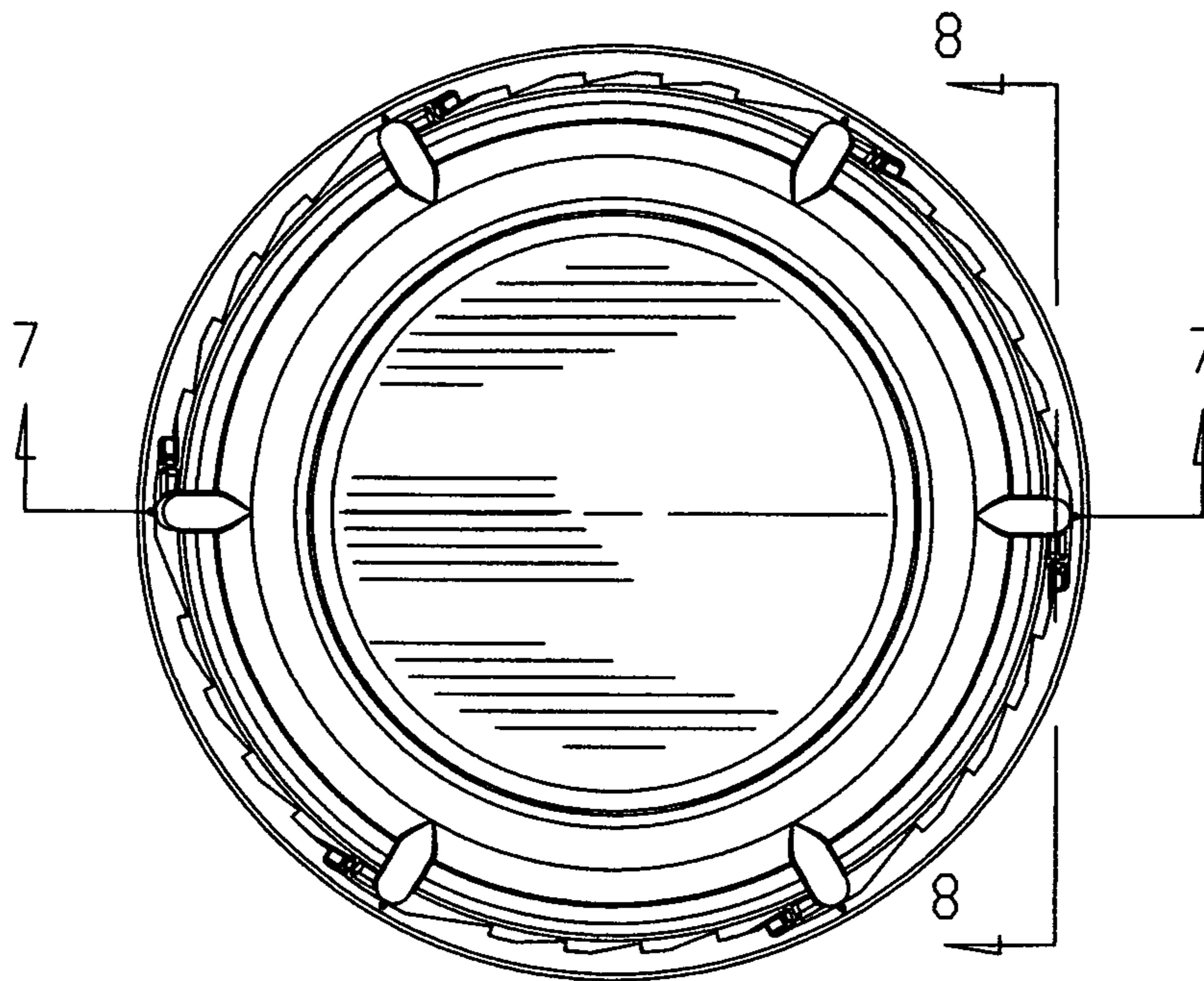


FIG. 3

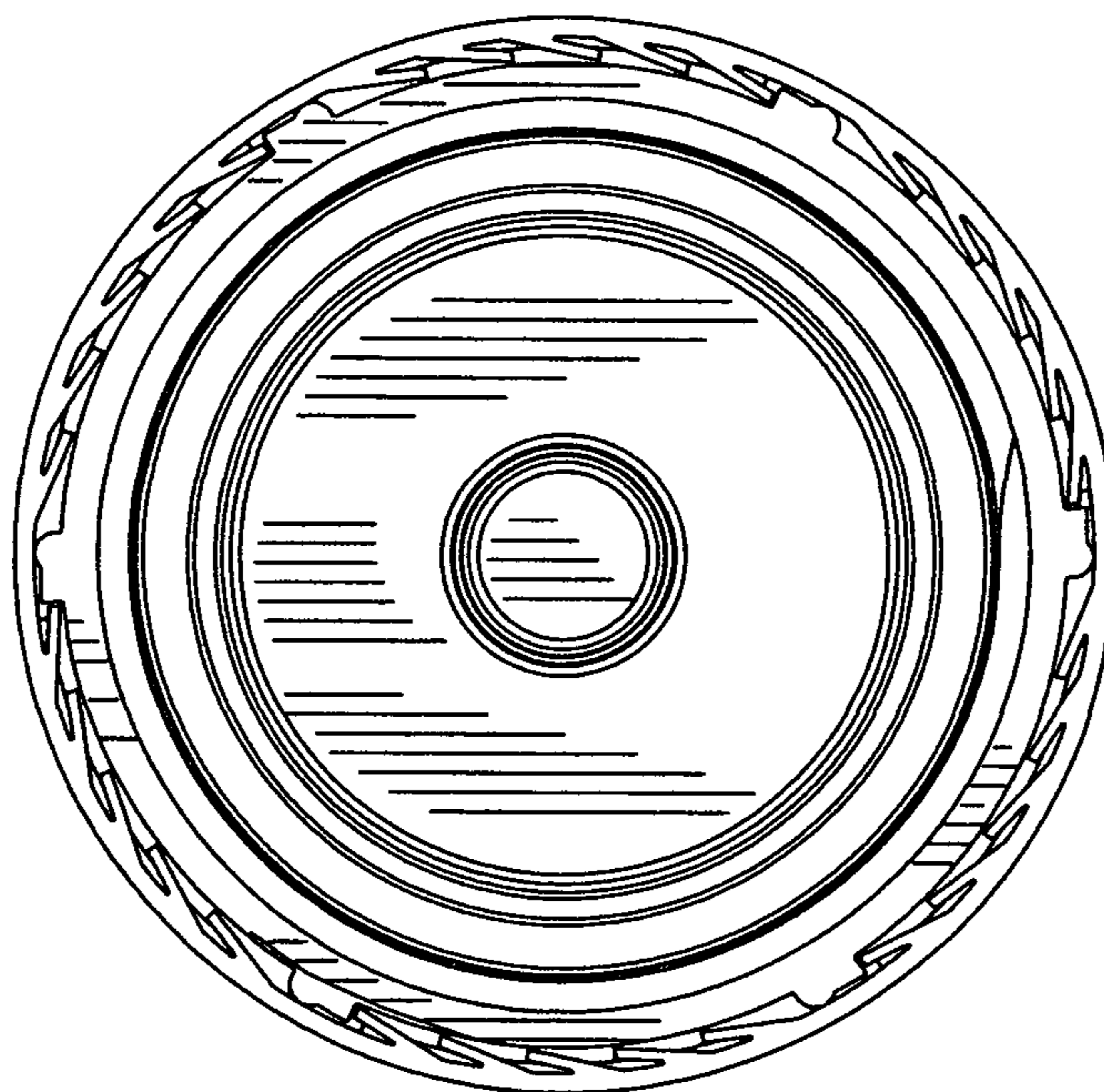


FIG. 4

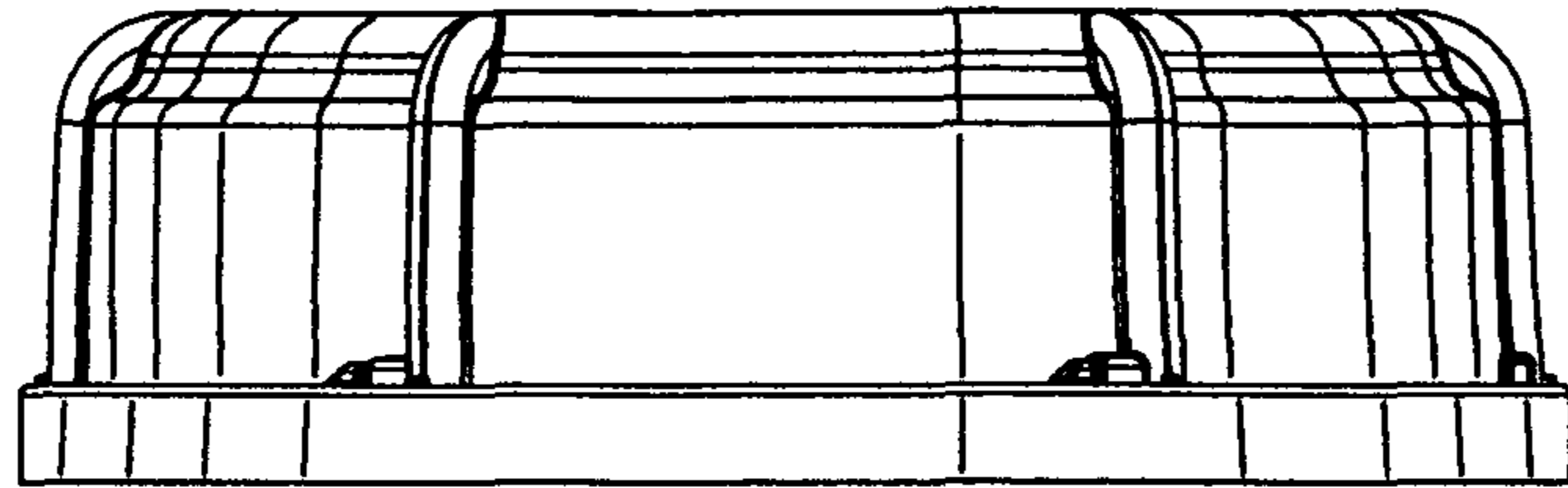


FIG. 5

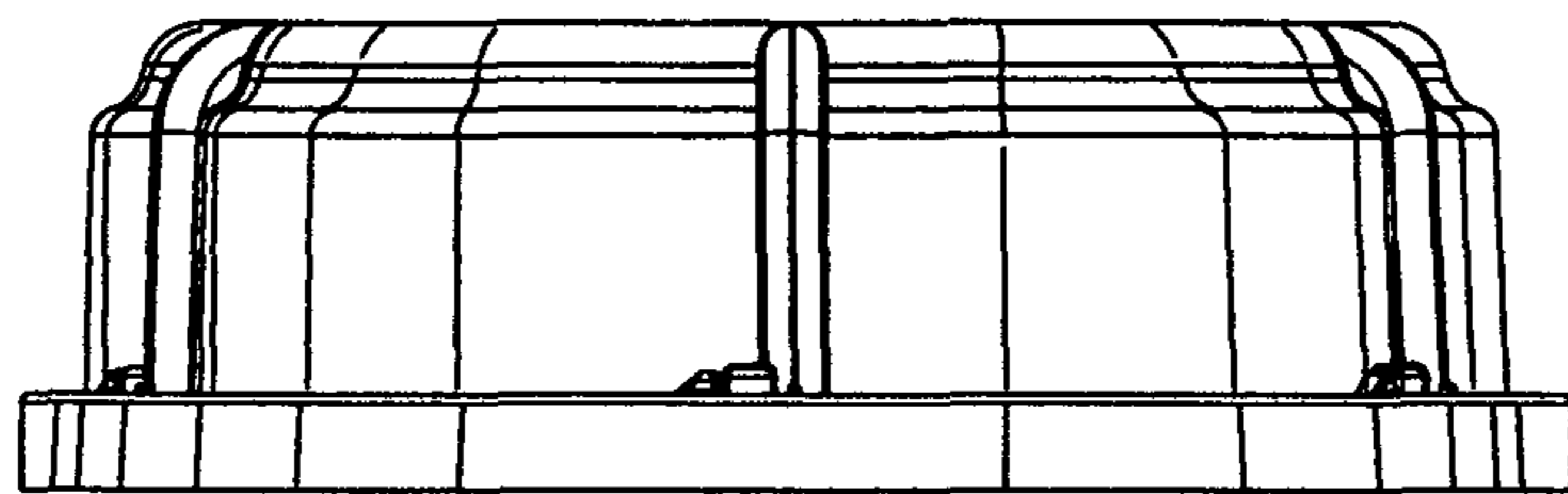


FIG. 6

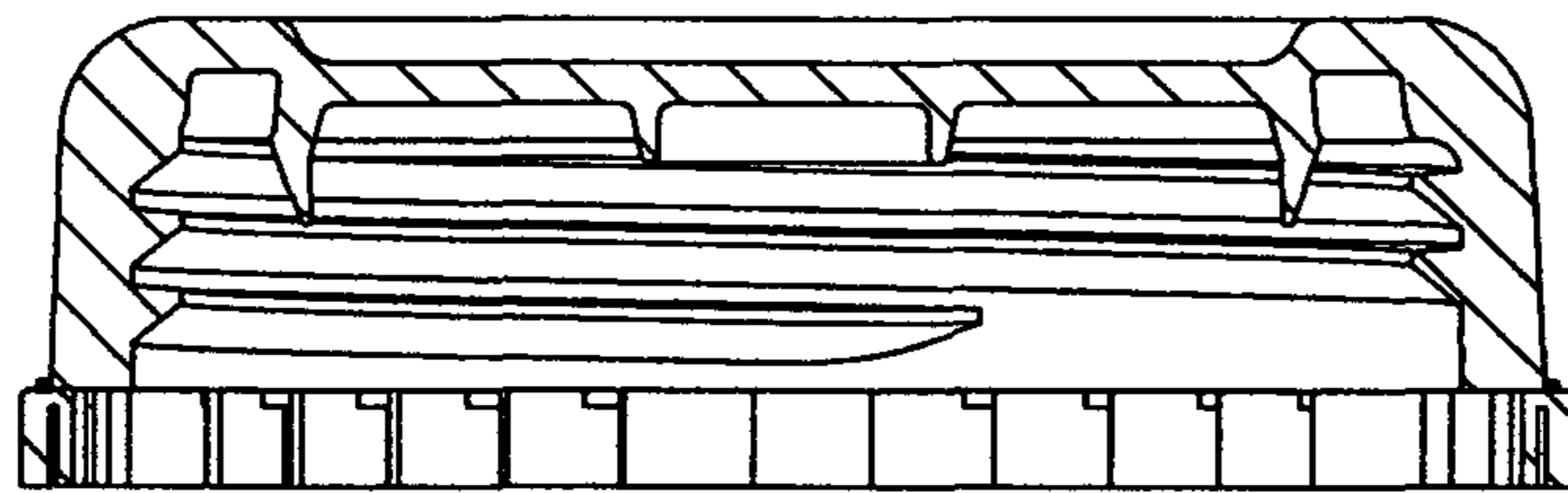


FIG. 7

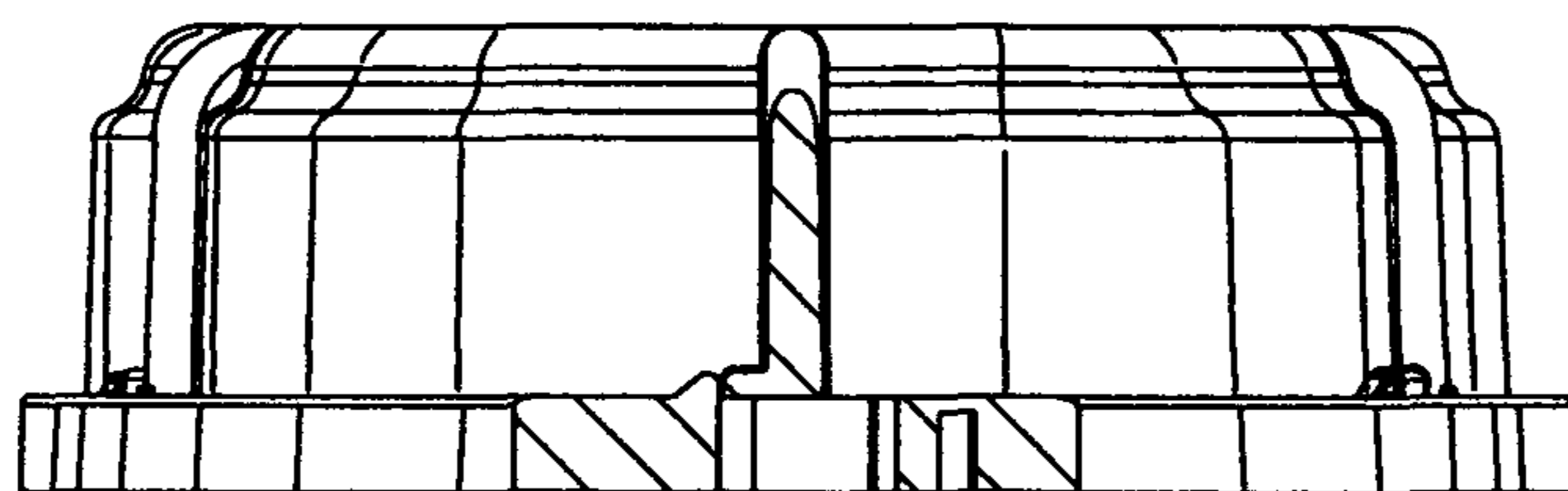


FIG. 8