



US00D681462S

(12) **United States Design Patent**  
**Taylor**

(10) **Patent No.:** **US D681,462 S**

(45) **Date of Patent:** **\*\* May 7, 2013**

(54) **SCREW CAP WITH REDUCER AND DIRECTIONAL LUG DRIVEN TAMPER BAND**

(76) Inventor: **Dale W. Taylor**, Hamilton, IN (US)

(\*\*) Term: **14 Years**

(21) Appl. No.: **29/421,096**

(22) Filed: **May 21, 2012**

(51) **LOC (9) Cl.** ..... **09-07**

(52) **U.S. Cl.**  
USPC ..... **D9/453; D9/454**

(58) **Field of Classification Search** ..... D9/667,  
D9/454, 453, 452, 450, 449, 445, 443, 441,  
D9/435; D23/253, 250; 220/270-276; 215/228,  
215/217-223, 209

See application file for complete search history.

(56) **References Cited**

U.S. PATENT DOCUMENTS

D44,178 S *	6/1913	McMurtrie	.....	D23/262
D195,372 S	6/1963	Tupper	.....	D9/439
D210,168 S *	2/1968	Plochman	.....	D9/453
4,136,796 A	1/1979	Dubois		
4,261,478 A	4/1981	Summers	.....	220/270
5,882,454 A	3/1999	Baginski		
D419,071 S *	1/2000	Peters et al.	.....	D9/453
6,368,741 B1	4/2002	Hackel		
D501,138 S	1/2005	Uchiyama	.....	D9/439
6,874,656 B2	4/2005	Rohr		
6,883,675 B2	4/2005	Maenke		
7,201,287 B2	4/2007	Maenke		

D600,546 S *	9/2009	Scilingo et al.	.....	D8/397
7,690,525 B2	4/2010	Schutz		
D623,049 S *	9/2010	Zeyfang	.....	D8/397
D642,918 S	8/2011	Taylor		
D642,920 S *	8/2011	Taylor	.....	D9/453
D643,288 S *	8/2011	Taylor	.....	D9/453
2006/0096985 A1	5/2006	Stolzman		

\* cited by examiner

*Primary Examiner* — Susan Bennett Hattan

(57) **CLAIM**

The ornamental design for a screw cap with reducer and directional lug driven tamper band, as shown and described.

**DESCRIPTION**

FIG. 1 is a top perspective view of a screw cap with reducer and directional lug driven tamper band in accordance with my design;

FIG. 2 is a bottom perspective view thereof;

FIG. 3 is a top plan view thereof;

FIG. 4 is a bottom view thereof;

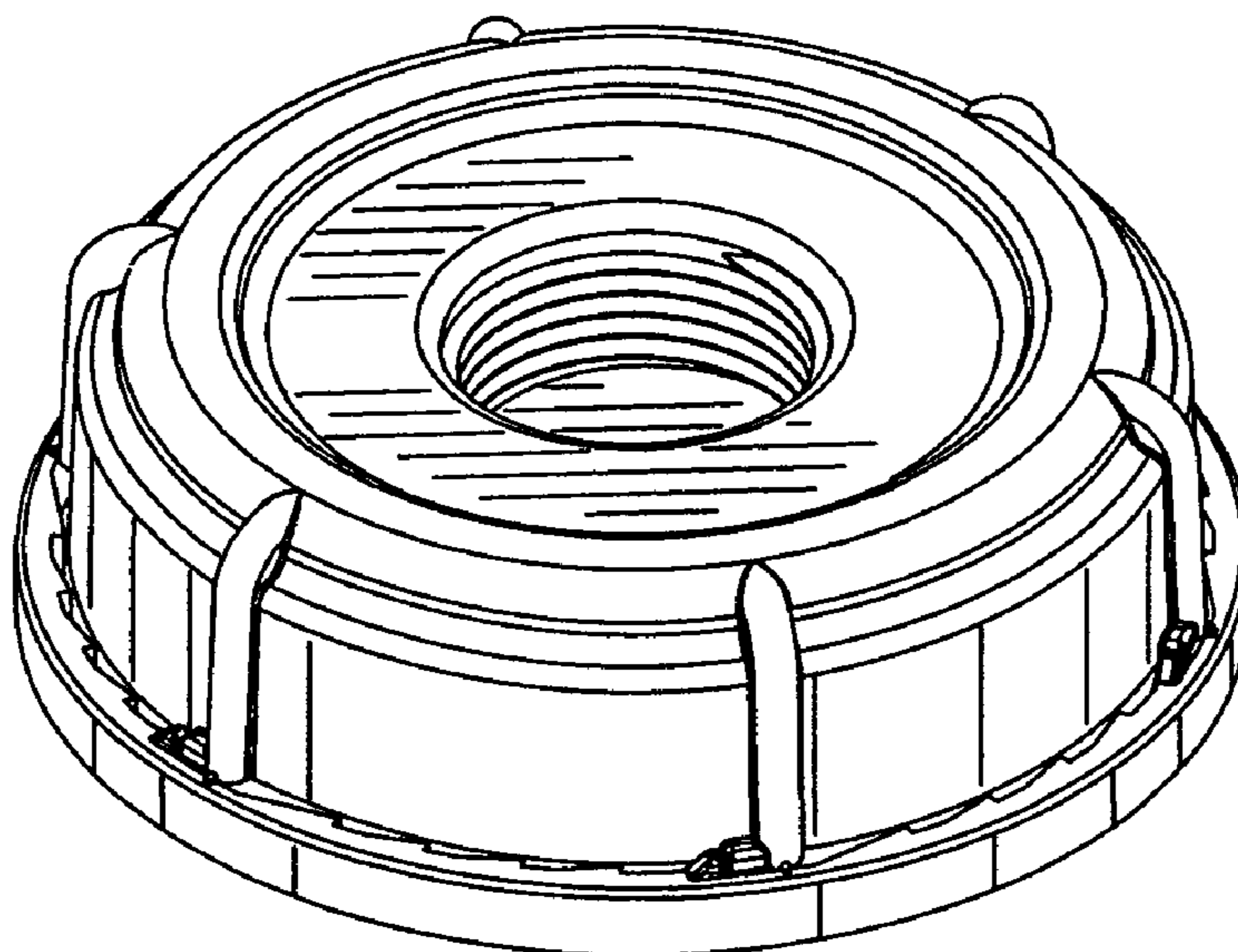
FIG. 5 is a front elevation view thereof; the rear elevation view being the same;

FIG. 6 is a right side view thereof; the left side view being the same;

FIG. 7 is a sectional view thereof, taken on line 7-7 of FIG. 3; and,

FIG. 8 is a sectional view thereof, taken on line 8-8 of FIG. 3.

**1 Claim, 4 Drawing Sheets**



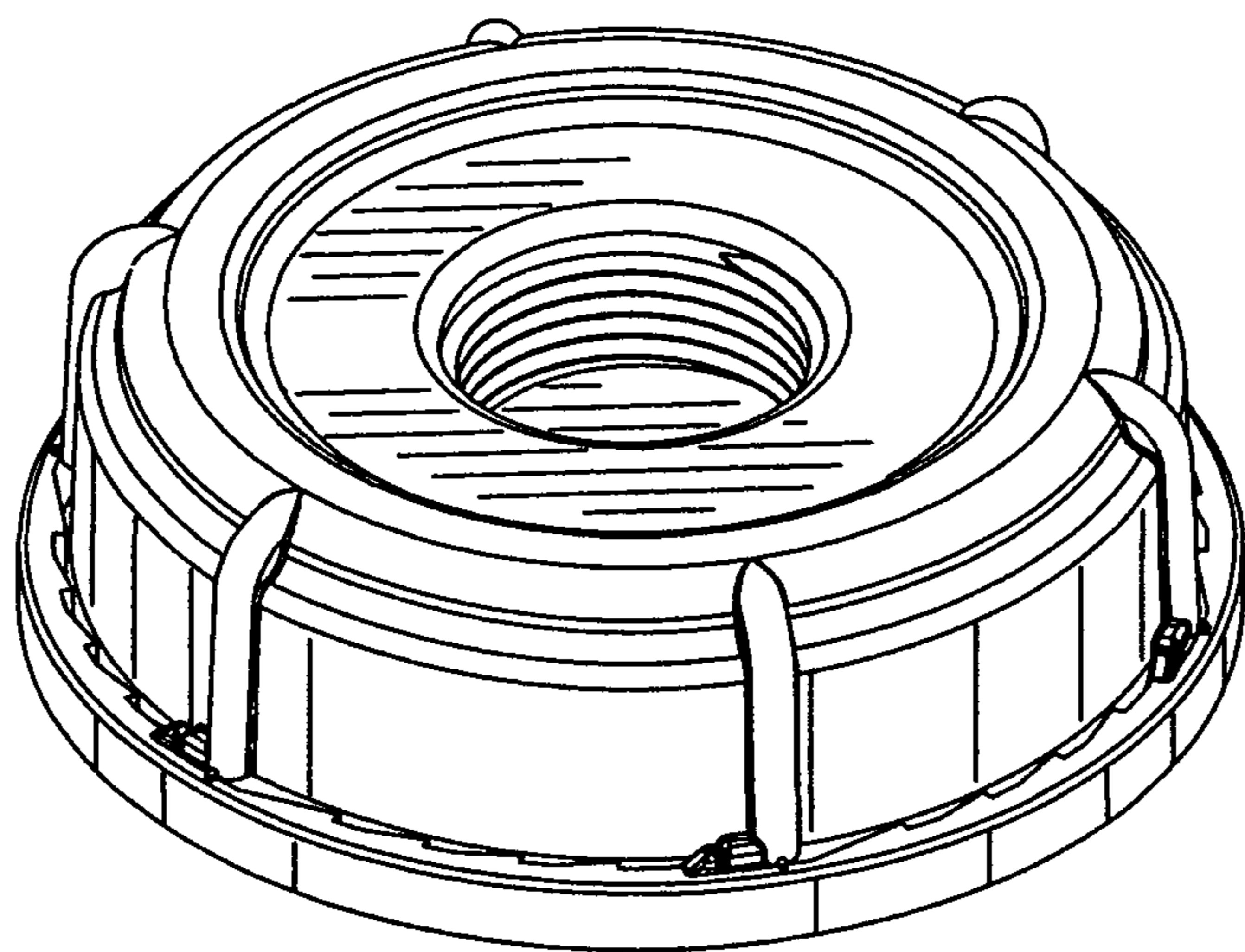


FIG. 1

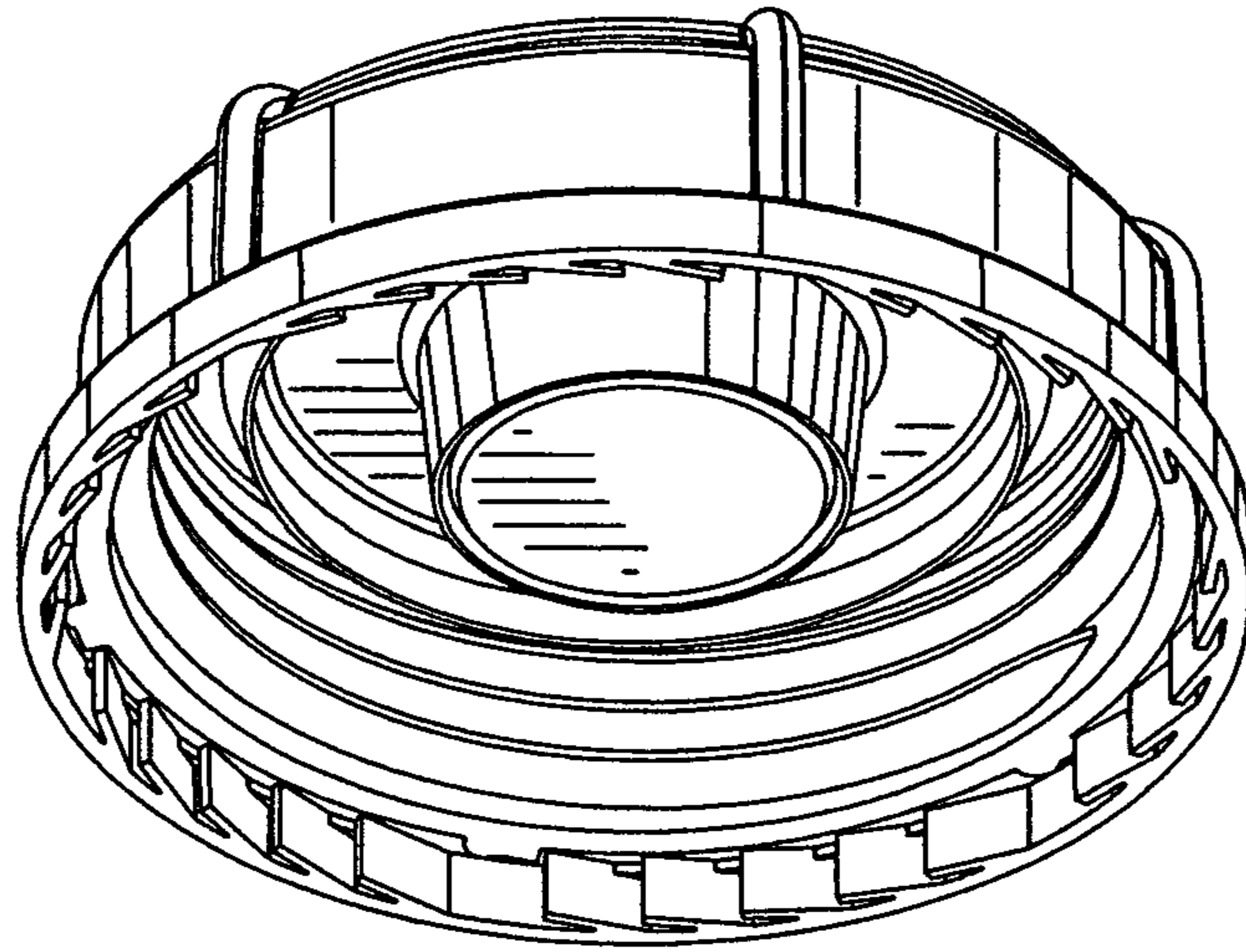


FIG. 2

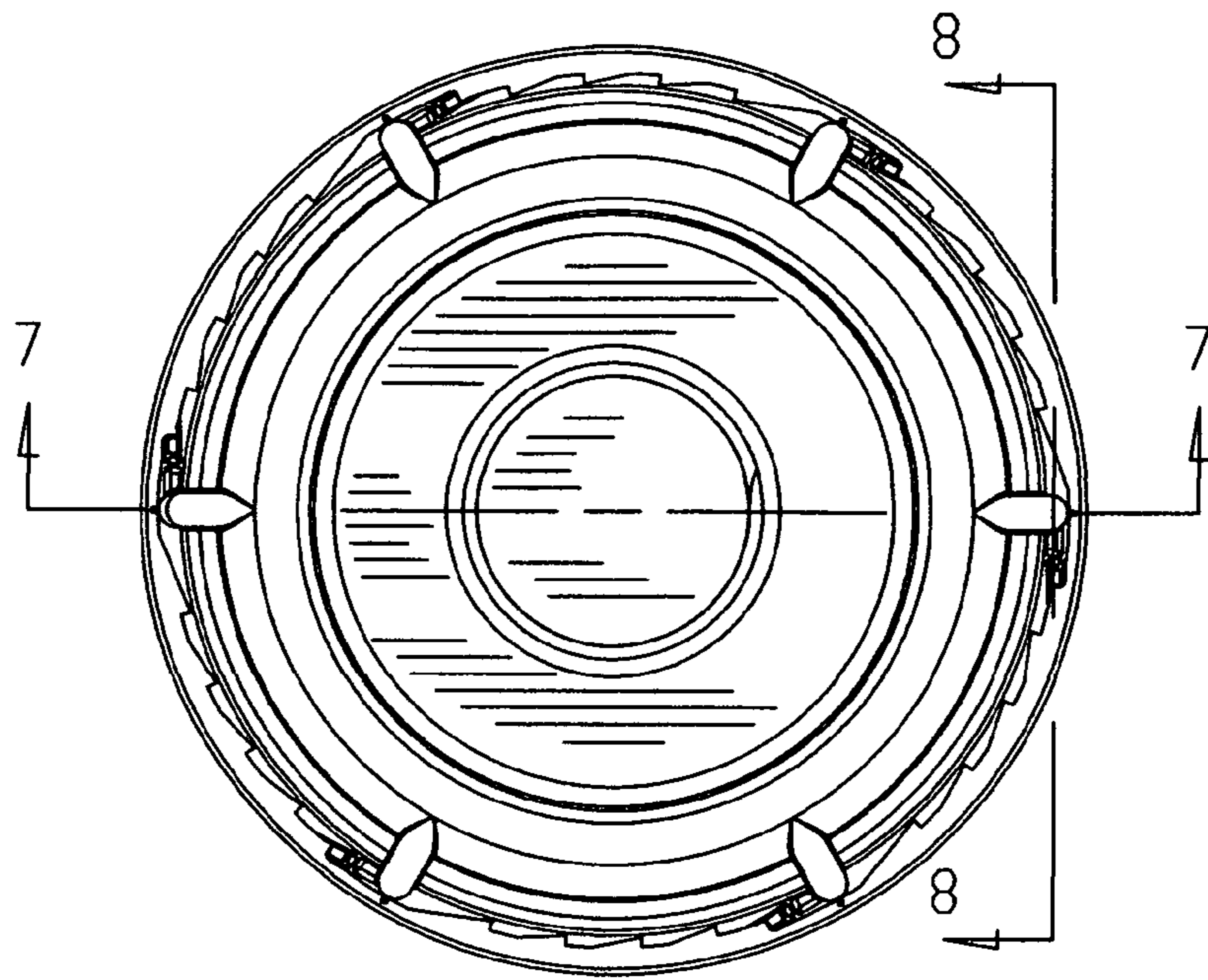


FIG. 3

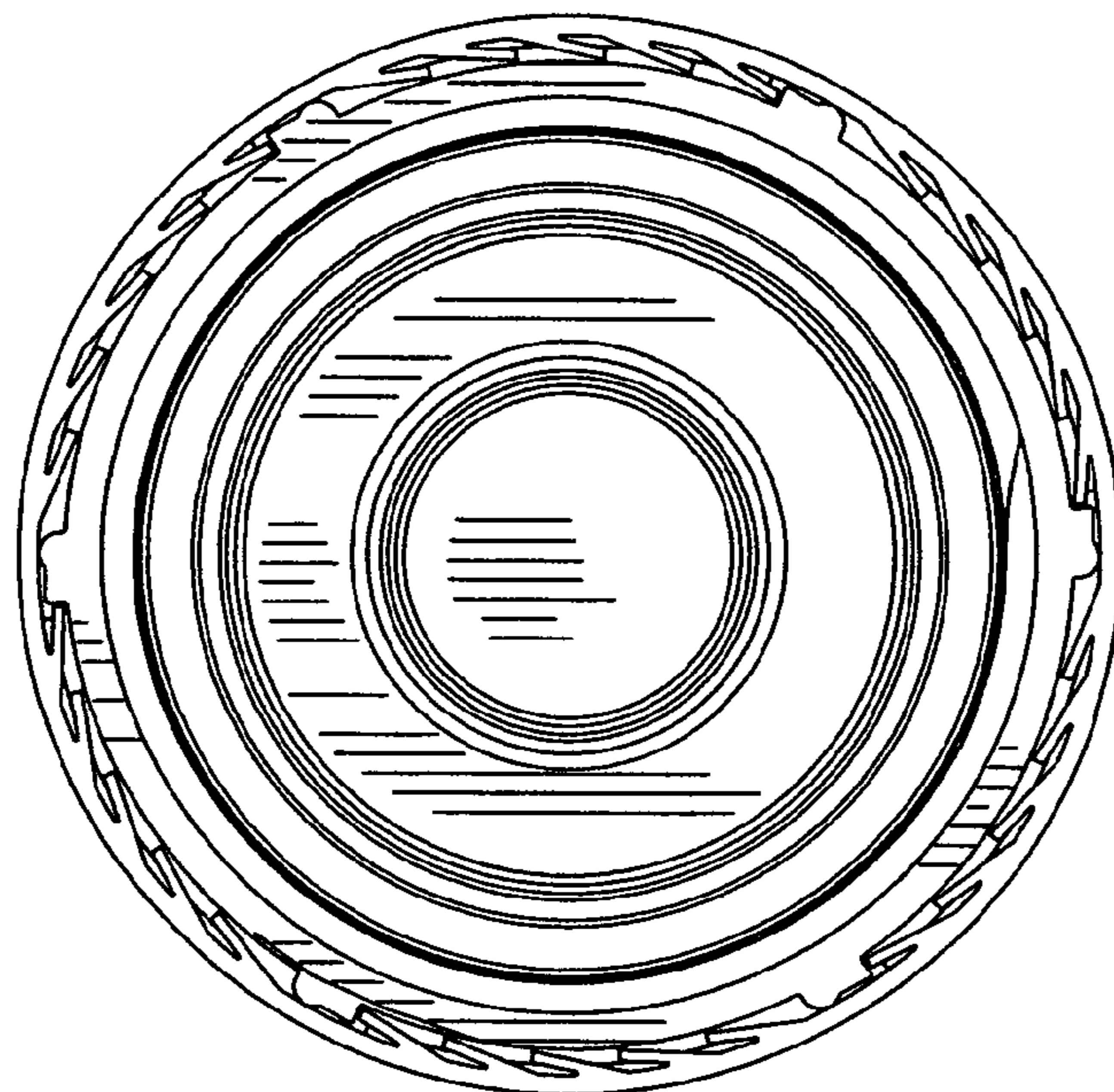


FIG. 4



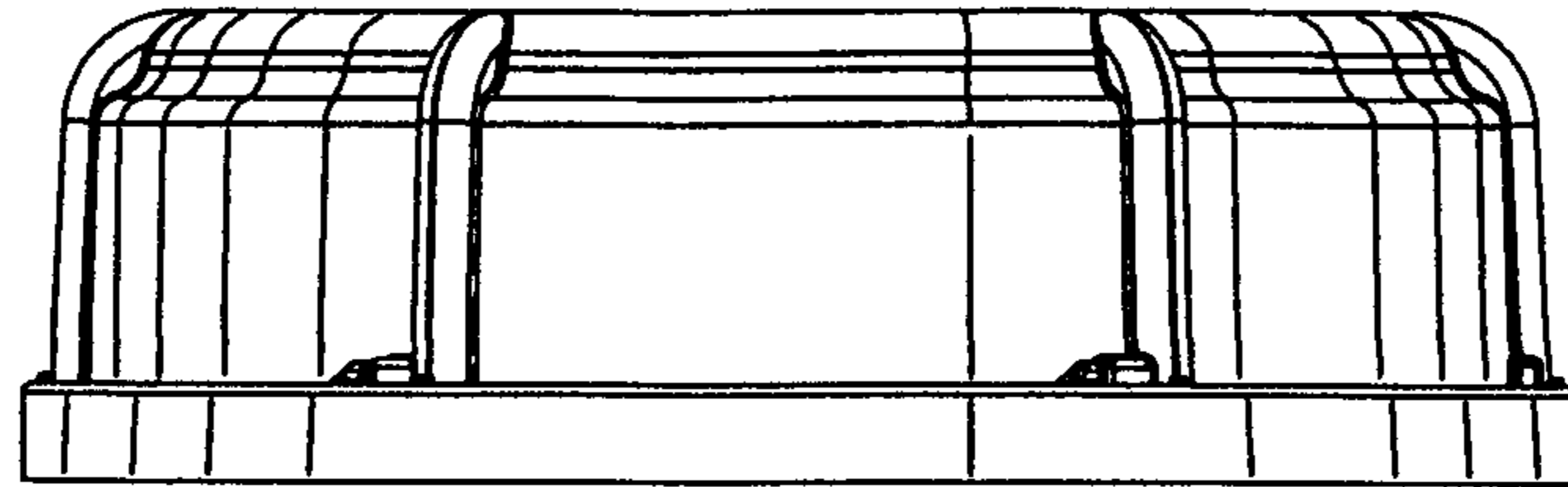


FIG. 5

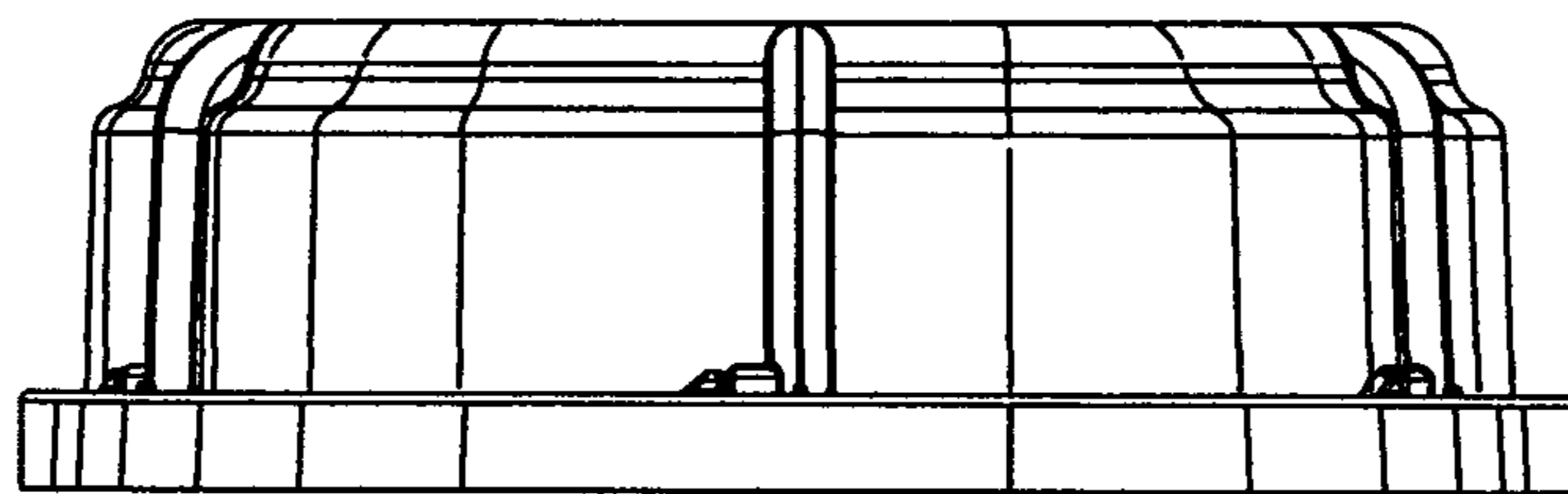


FIG. 6

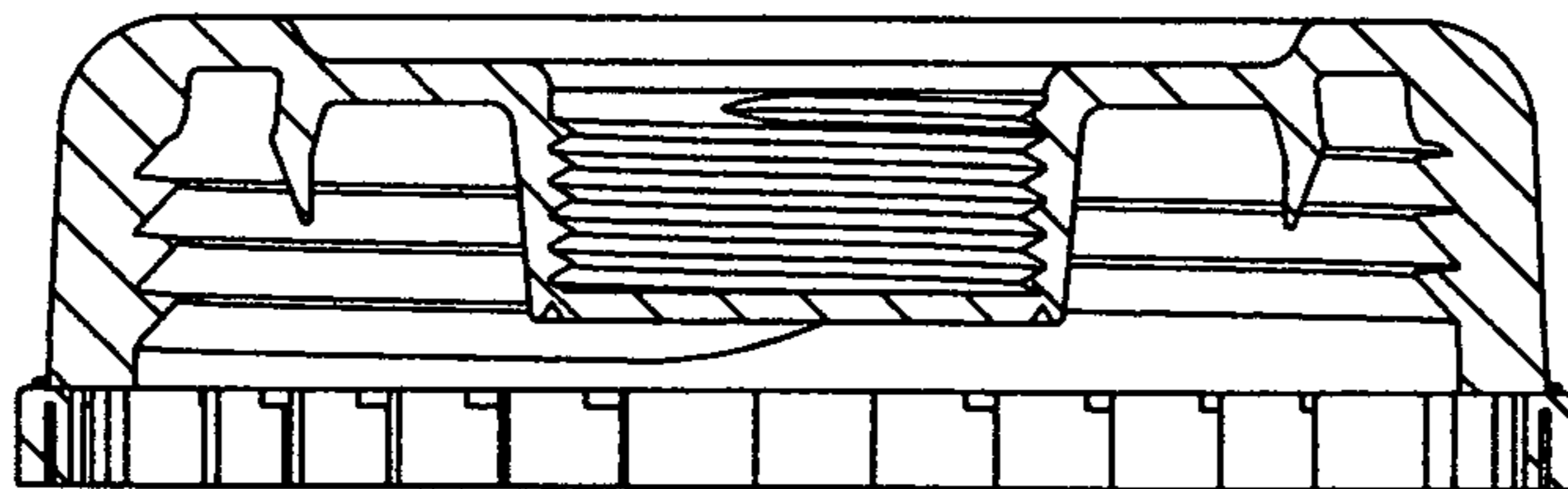


FIG. 7

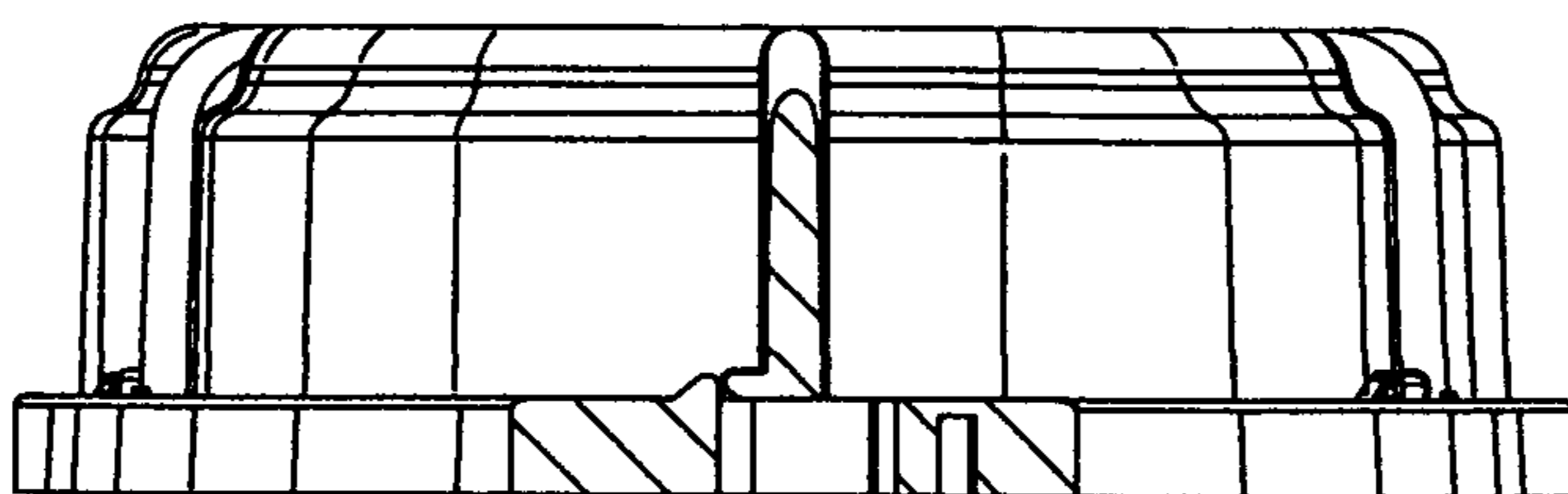


FIG. 8